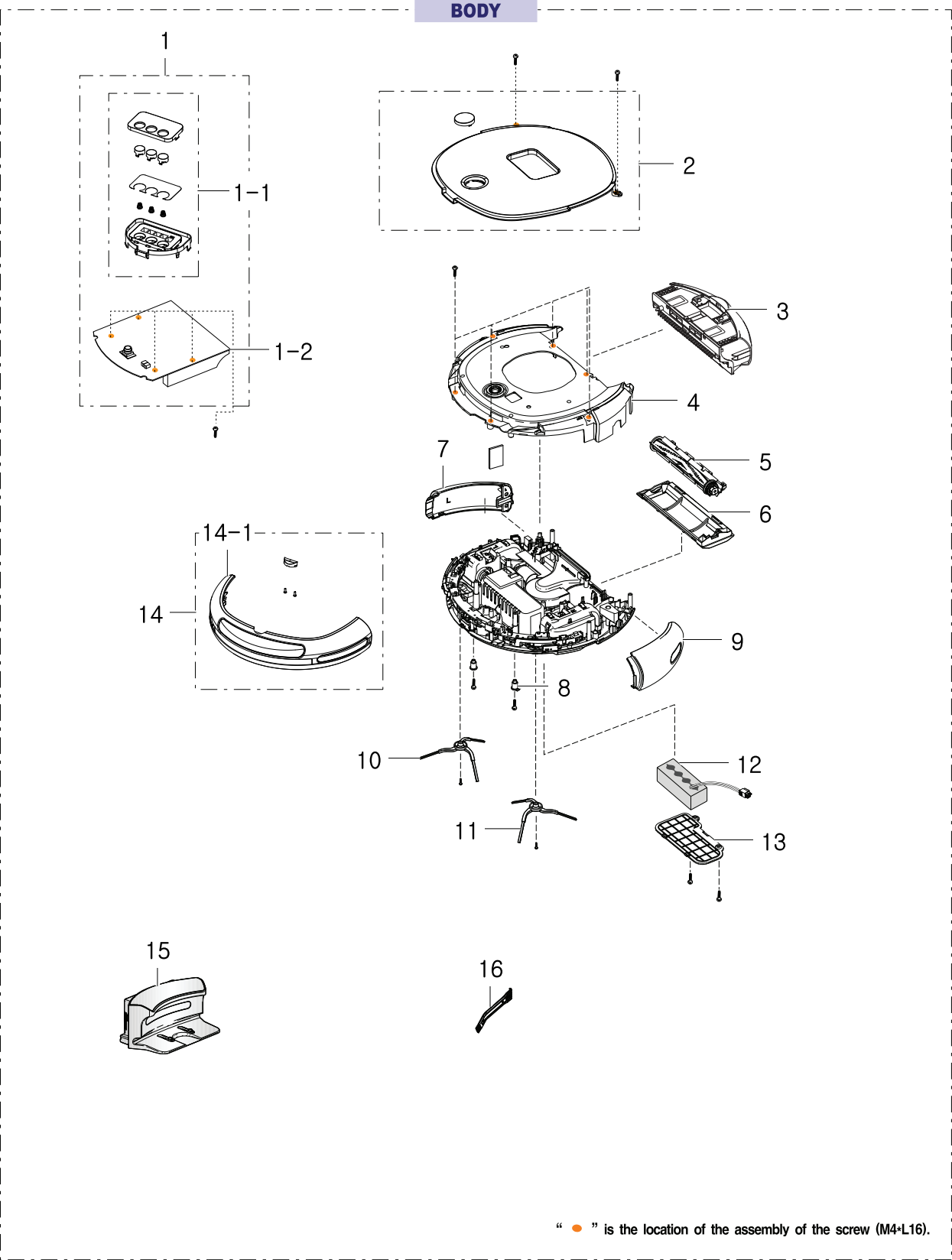


1. Body

Exploded View

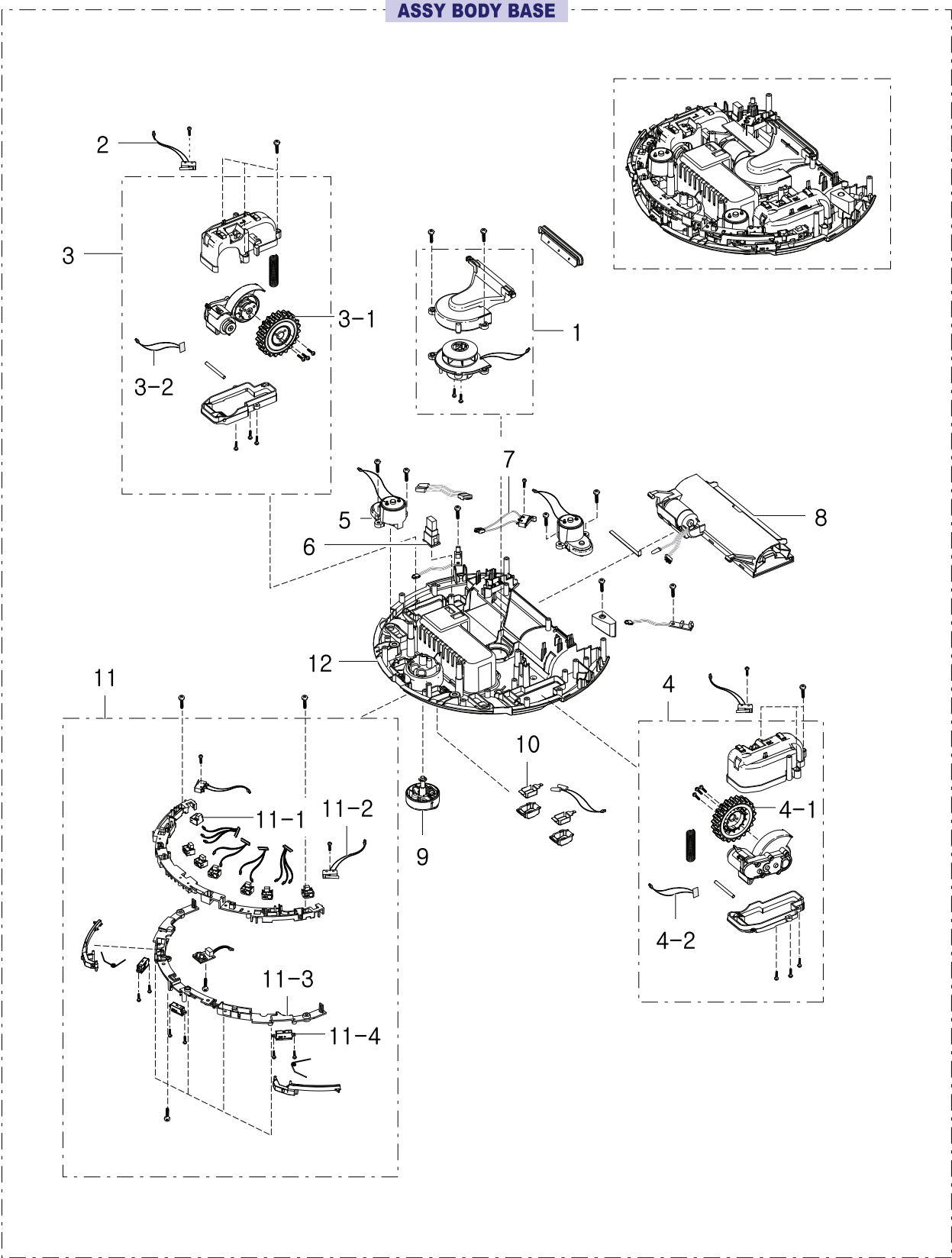


Parts List

| No. | Lvl. | Loc. | Material Code | Description & Specification | SNA | Qty. |
|------|------|-------|---------------|---|-----|------|
| 1 | 1 | | DJ92-00025A | ASSY KIT; BUTTON TYPE,AUTOBOT LIGHT,MAN P | SA | 1 |
| 1-1 | 2 | | DJ97-01895A | ASSY HOLDER DISPLAY; VRAT10AT,BLACK,AUTOB | SA | 1 |
| 1-2 | 3 | | DJ41-00652A | PCB MAIN; VR10*,FR-4,2,1,T1.6,W177*L197,- | SNA | 1 |
| 2 | 1 | RB042 | DJ97-01896C | ASSY PANEL CONTROL; SR8730,PORSCHE RED,AU | SA | 1 |
| 3 | 1 | | DJ97-01287D | ASSY CASE DUST; VRAT10AT,No,Bagfree,AUTOB | SA | 1 |
| 4 | 1 | RB009 | DJ97-01291A | ASSY BODY MID; AUTOBOT,-,-,ASSY | SA | 1 |
| 5 | 1 | | DJ97-01303C | ASSY DRUM BRUSH; STEALTHBOT,GENERAL NYLON | SA | 1 |
| 6 | 1 | RP421 | DJ97-01299B | ASSY BASE BRUSH; VC-RA84V,YEL,ASSY | SA | 1 |
| 7 | 1 | | DJ97-01327E | ASSY COVER SIDE-LEFT; VRAT10AT,EBONY BLAC | SA | 1 |
| 8 | 1 | RB086 | DJ67-00571A | CAP-SCREW; VC-RA84V,ABS,DEEP GRY | SA | 2 |
| 9 | 1 | | DJ97-01328E | ASSY COVER SIDE-RIGHT; VRAT10AT,EBONY BLA | SA | 1 |
| 10 | 1 | RL060 | DJ97-01329C | ASSY BRUSH-CORNER L; STEALTHBOT,CORNER BR | SA | 1 |
| 11 | 1 | RL141 | DJ97-01330C | ASSY BRUSH-CORNER R; STEALTHBOT,CORNER BR | SA | 1 |
| 12 | 1 | RA010 | DJ96-00136B | ASSY BATTERY; VCR8875,NI-MH,2200mAH,14.4V | SA | 1 |
| 13 | 1 | RP212 | DJ63-00929A | COVER BATTERY; VC-RA84V,ABS,DEEP GRY | SA | 1 |
| 14 | 1 | RB004 | DJ97-01680B | ASSY BODY BUMPER; VRAT10BT,EBONY BLACK,-, | SA | 1 |
| 14-1 | 2 | RB004 | DJ97-01306C | ASSY BODY BUMPER; VRAT10BT,EBONY BLACK,-, | SA | 1 |
| 15 | 1 | RA014 | DJ96-00115G | ASSY CHARGER; VCR8855,URBAN GRAPHITE,EXP, | SA | 1 |
| 16 | 1 | RA100 | DJ98-01002A | ASSY ACCESSORY BROOM; VC-RE70V,BROOM,BLK, | SA | 1 |

2. Assy Body Base

Exploded View

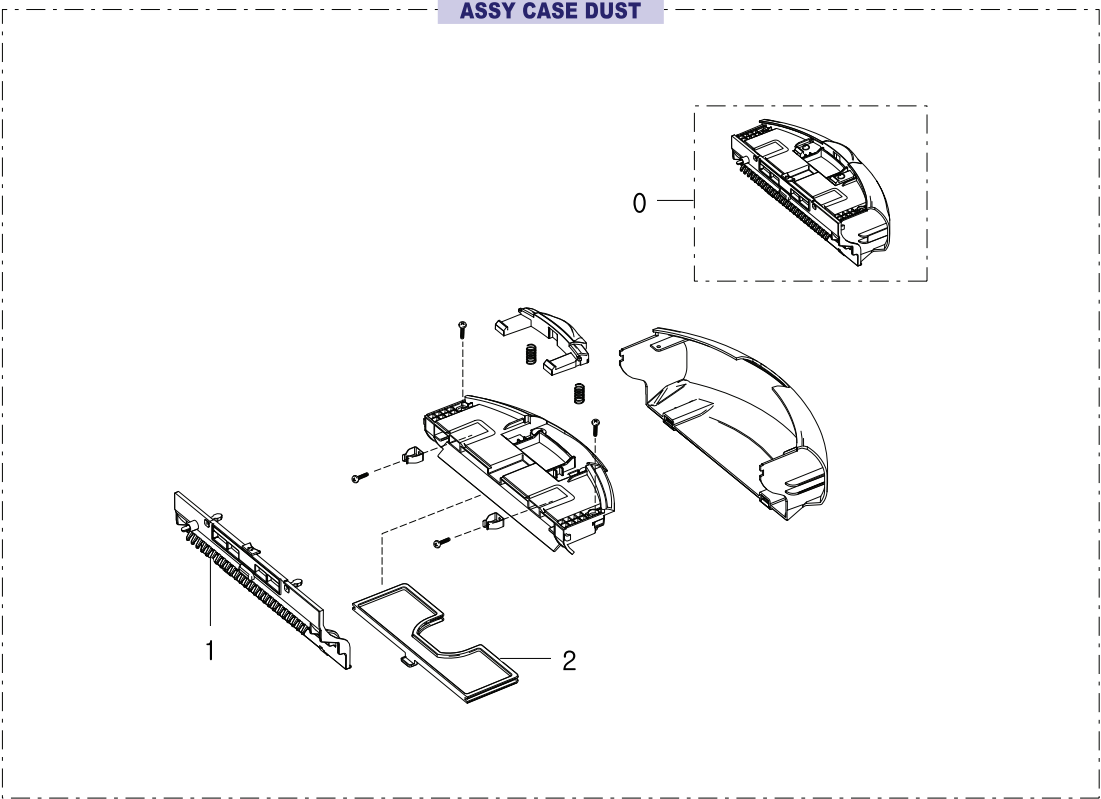


Parts List

| No. | Lvl. | Loc. | Material Code | Description & Specification | SNA | Qty. |
|------|------|-------|---------------|---|-----|------|
| 1 | 2 | RP342 | DJ96-00117A | ASSY MOTOR-FAN; VCU-RA84V,14.4V,ASSY MOTO | SA | 1 |
| 2 | 2 | RP440 | DJ91-00004E | ASSY SWITCH MICRO; VC-RA84V,WHEEL LIFT L, | SA | 2 |
| 3 | 2 | RB045 | DJ97-01314C | ASSY WHEEL DRIVING L; WHEEL,VC-RL84V,DEEP | SA | 1 |
| 3-1 | 3 | RP121 | DJ97-01311A | ASSY WHEEL; WHEEL,VC-RA84V,DEEP GRY,ROYAL | SA | 1 |
| 3-2 | 3 | RJ175 | DJ39-00202A | WIRE HARNESS-WHEEL MOTOR; VC-RL84V,6,WHT, | SA | 1 |
| 4 | 2 | RB046 | DJ97-01317C | ASSY WHEEL DRIVING R; WHEEL,VC-RL84V,DEEP | SA | 1 |
| 4-1 | 3 | RP121 | DJ97-01311A | ASSY WHEEL; WHEEL,VC-RA84V,DEEP GRY,ROYAL | SA | 1 |
| 4-2 | 3 | RJ175 | DJ39-00202A | WIRE HARNESS-WHEEL MOTOR; VC-RL84V,6,WHT, | SA | 1 |
| 5 | 2 | RJ172 | DJ97-01320B | ASSY CASE MOTOR-CORNER; VC-RL84V,EBONY BL | SA | 2 |
| 6 | 2 | RP309 | 3402-001040 | SWITCH-ROCKER; 250VAC,10A,DPST,ON-OFF | SA | 1 |
| 7 | 2 | RP418 | DJ91-00004D | ASSY SWITCH MICRO; VC-RA84V,DUSTBOX | SA | 1 |
| 8 | 2 | RL008 | DJ97-01318B | ASSY CASE-DRUM; VC-RL84V,MICRO SIL,No,-,L | SA | 1 |
| 9 | 2 | RP106 | DJ97-01313A | ASSY ROLLER FRONT; FRONT,VC-84V,BLK,OD47. | SA | 1 |
| 10 | 2 | RJ102 | DJ65-00063A | TERMINAL-PIN; VC-RA84V,BRASS | SA | 2 |
| 11 | 2 | | DJ97-01316B | ASSY CASE SENSOR; VRAT10AT,EBONY BLACK,No | SA | 1 |
| 11-1 | 3 | RP290 | DJ32-00013A | SENSOR-DISTANCE; KIR5005C,VC-RA84V,5.0V,5 | SA | 7 |
| 11-2 | 3 | RP395 | DJ91-00004B | ASSY SWITCH MICRO; VC-RA84V,WHEEL LIFT L, | SA | 2 |
| 11-3 | 3 | RP424 | DJ63-00928A | COVER SENSOR; VC-RA84V,ABS,BLK | SA | 1 |
| 11-4 | 3 | RP347 | DJ32-00014A | SENSOR-DISTANCE; KIR5006C,VC-RA84V,5.0V,5 | SA | 3 |
| 12 | 2 | RB051 | DJ61-01569A | BODY BASE; VC-RA84V,ABS,T58,L342.3,W284.4 | SA | 1 |

3. Assy Case Dust

Exploded View

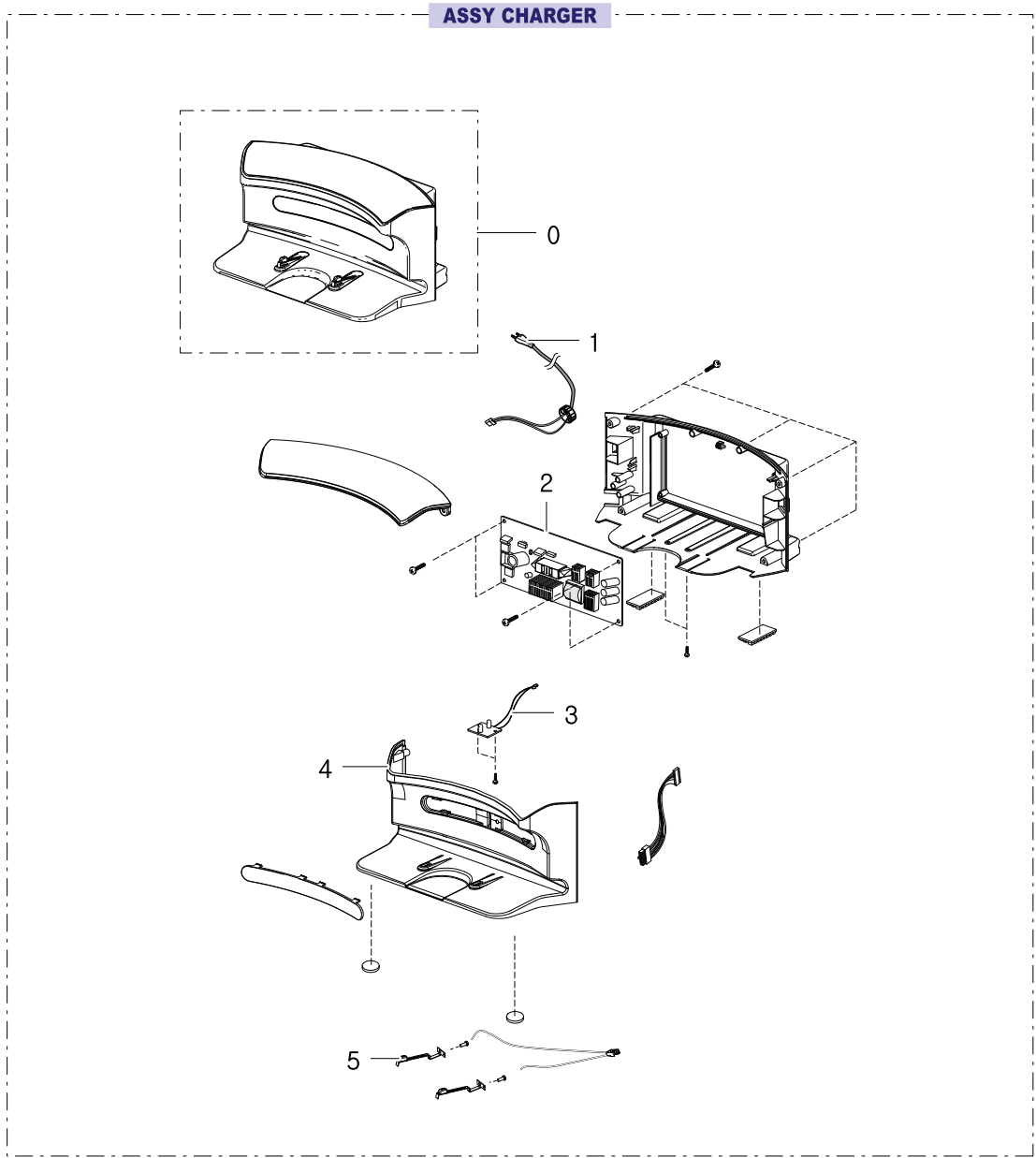


Parts List

| No. | Lvl. | Loc. | Material Code | Description & Specification | SNA | Qty. |
|-----|------|-------|---------------|--|-----|------|
| 0 | 1 | | DJ97-01287D | ASSY CASE DUST; VRAT10AT,No,Bagfree,AUTOB | SA | 1 |
| 1 | 2 | RB028 | DJ97-01324A | ASSY COVER DUST SUB; VC-RA84V,VISTA BLU | SA | 1 |
| 2 | 2 | RA024 | DJ97-01285B | ASSY GRILLE FILTER; AUTOBOT,WHT,H11 | SA | 1 |

4. Assy Charger

Exploded View



Parts List

| No. | Lvl. | Loc. | Material Code | Description & Specification | SNA | Qty. |
|-----|------|-------|---------------|---|-----|------|
| 0 | 1 | RA014 | DJ96-00115G | ASSY CHARGER; VCR8855,URBAN GRAPHITE,EXP, | SA | 1 |
| 1 | 2 | RJ017 | DJ95-00021E | ASSY POWER CORD; AUTOBOT-PJT,CP2 4.8,L200 | SA | 1 |
| 2 | 2 | RJ097 | DJ41-00459A | PBA SMPS; AUTOBOT,180X85,Y,220~240V,21.5V | SA | 1 |
| 3 | 2 | RJ168 | DJ41-00470A | PBA-SMPS LED; AUTOBOT,32X28,N | SA | 1 |

| No. | Lvl. | Loc. | Material Code | Description & Specification | SNA | Qty. |
|-----|------|-------|---------------|--|-----|------|
| 4 | 2 | RA048 | DJ63-00940H | COVER-CHARGER FRONT; AUTOBOT,ABS,T120.8,W | SA | 1 |
| 5 | 2 | RJ171 | DJ65-00062A | TERMINAL-PLATE; VC-RA84V,BRASS | SA | 2 |