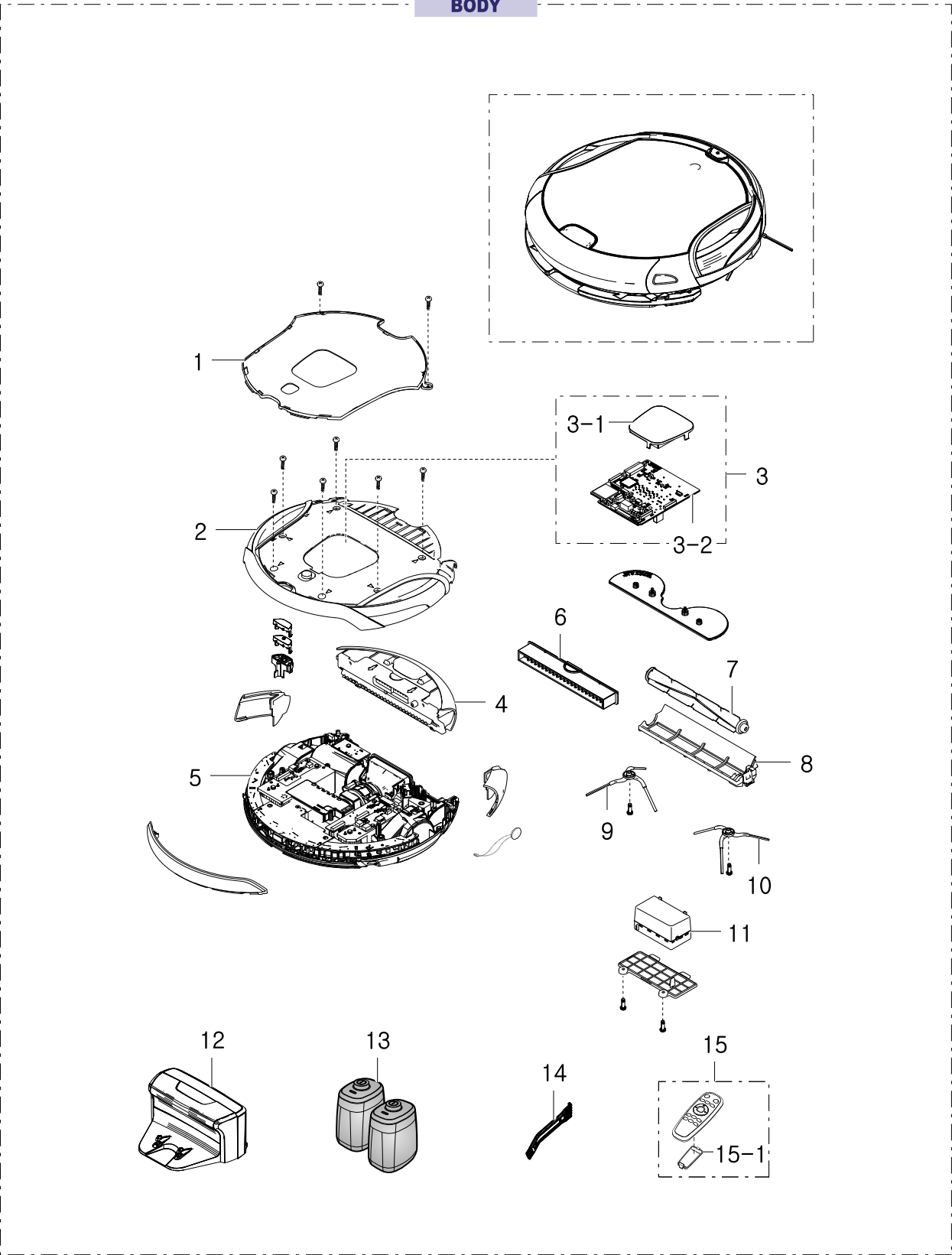


# 1. Body

## Exploded View

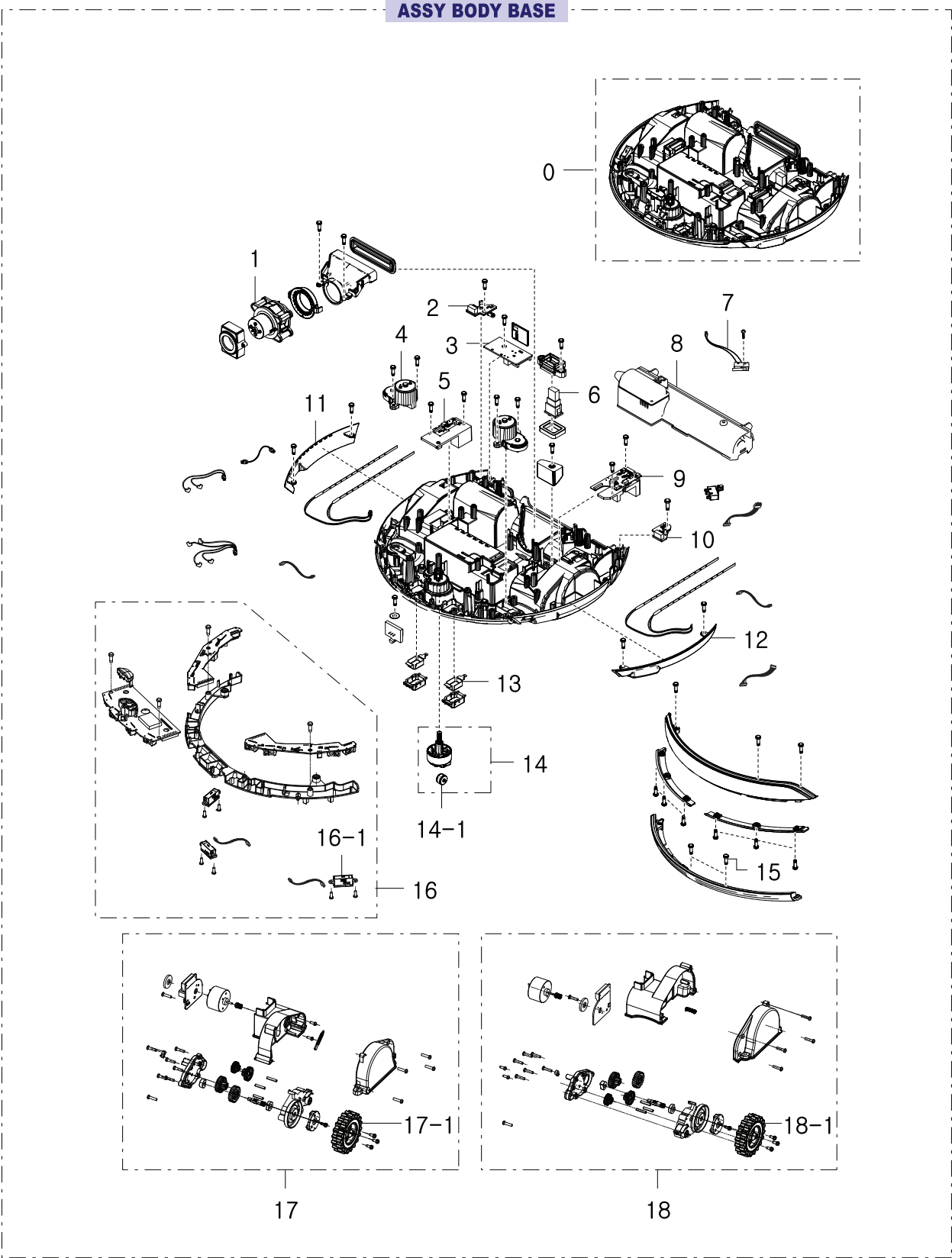


## Parts List

No.	Parent	Lvl.	Loc.	Material Code	Description & Specification	SNA	Qty.
1	VCR8950L3B/XET	1	RB042	DJ97-01795B	ASSY PANEL CONTROL; SR8950,BLUE,IMD	SA	1
2	VCR8950L3B/XET	1	RB009	DJ97-01806A	ASSY BODY MID; VC-RM84V,EBONY BLACK,-,-,-	SA	1
3	VCR8950L3B/XET	1	RJ169	DJ92-00023C	ASSY PBA MAIN; SR8950,-,-,-	SA	1
3-1	DJ92-00023C	2		DJ97-01794C	ASSY HOLDER-DISPLAY; SR8950,WHT	SA	1
3-2	DJ92-00023C	2	RJ094	DJ41-00613C	PBA MAIN; VCR8950,FR-4 , 4LAYER,W121XL140	SA	1
4	VCR8950L3B/XET	1	RA013	DJ97-01796A	ASSY CASE BASKET; VC-RM84V,No,Bagfree	SA	1
5	VCR8950L3B/XET	1	RB002	DJ97-01793C	ASSY BODY BASE; SR8950,EBONY BLACK,-,-,EX	SA	1
6	VCR8950L3B/XET	1	RA024	DJ97-01777A	ASSY GRILLE FILTER; VC-RM84V,WHT	SA	1
7	VCR8950L3B/XET	1		DJ97-01780A	ASSY DRUM BRUSH; VC-RM84V,EURO YEL	SA	1
8	VCR8950L3B/XET	1		DJ97-01804A	ASSY BASE BRUSH; VC-RM84V,YEL	SA	1
9	VCR8950L3B/XET	1	RL060	DJ97-01329C	ASSY BRUSH-CORNER L; STEALTHBOT,CORNER BR	SA	1
10	VCR8950L3B/XET	1	RL141	DJ97-01330C	ASSY BRUSH-CORNER R; STEALTHBOT,CORNER BR	SA	1
11	VCR8950L3B/XET	1		DJ43-00006B	BATTERY; P41R05-11-H01,Li-ion,ICR18650-22	SA	1
12	VCR8950L3B/XET	1	RA014	DJ96-00149B	ASSY CHARGER; MAX-PJT,SUB GRY,EXP,230V,CP	SA	1
13	VCR8950L3B/XET	1	RA119	DJ97-01513D	ASSY-SMARTGATE; SR8950/SR8980,SMART GATE,	SA	2
14	VCR8950L3B/XET	1	RA100	DJ98-01002A	ASSY ACCESSORY BROOM; VC-RE70V,BROOM,BLK,	SA	1
15	VCR8950L3B/XET	1	RA028	DJ96-00114Z	ASSY REMOCON; SR8950,EBONY BLK	SA	1
15-1	DJ96-00114Z	2	RP213	DJ63-00936D	COVER BATTERY; VCR-8830,ABS,EBONY BLK	SA	1

# 2. Assy Body Base

## Exploded View



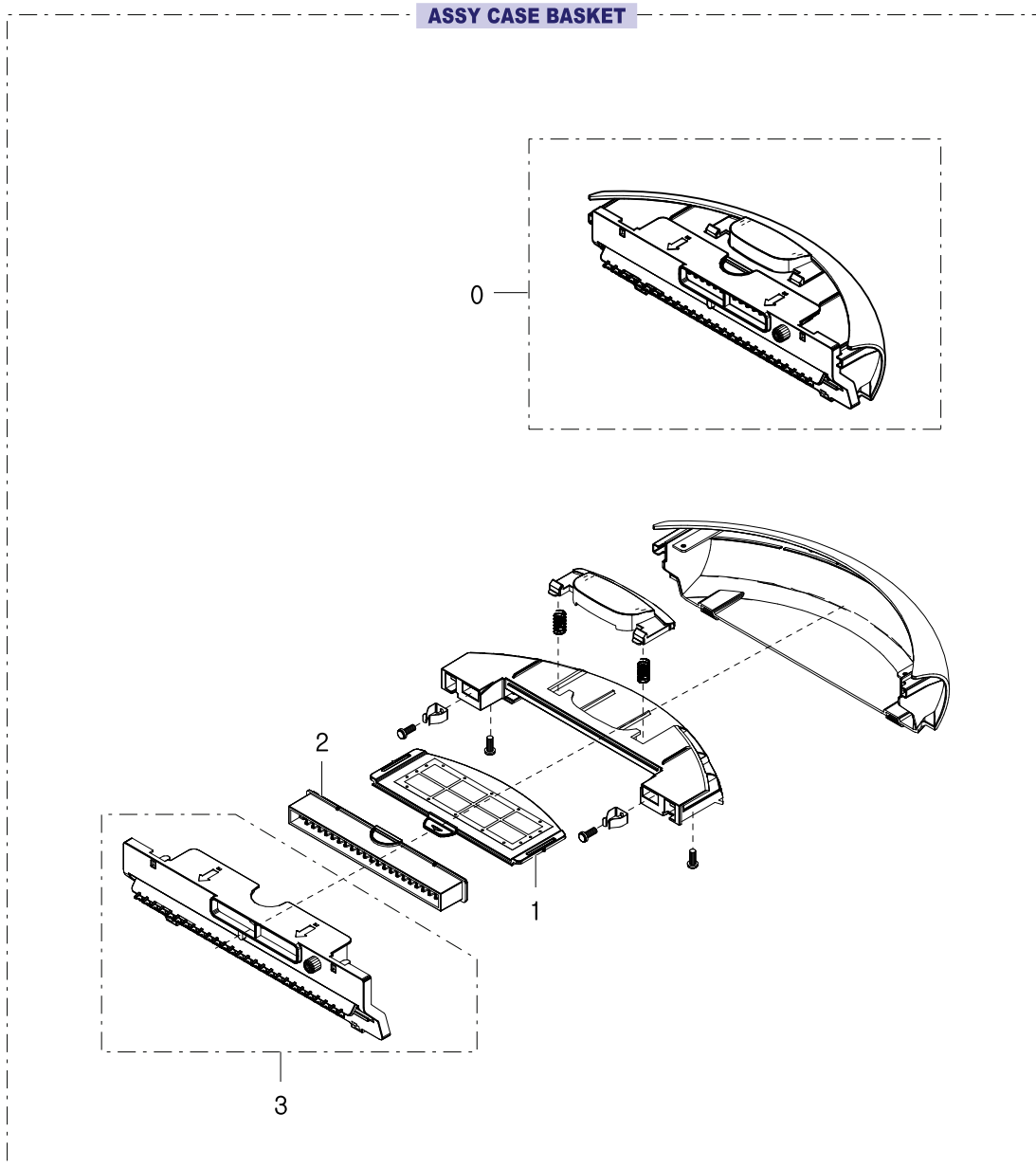
**Parts List**

No.	Parent	Lvl.	Loc.	Material Code	Description & Specification	SNA	Qty.
0	VCR8950L3B/XET	1	RB002	DJ97-01793C	ASSY BODY BASE; SR8950,EBONY BLACK,-,-,EX	SA	1
1	DJ97-01793C	2		DJ96-00150A	ASSY MOTOR-FAN; VC-RM84V,14V	SA	1
2	DJ97-01793C	2		DJ41-00632A	PBA-REAR L; VC-RM84V,FR-4,W31.4XL25.6,DC5	SA	1
3	DJ97-01793C	2		DJ41-00634A	PBA-INTERFACE-DRUM; VC-RM84V,FR-4,W57XL28	SA	1
4	DJ97-01793C	2	RJ172	DJ97-01320B	ASSY CASE MOTOR-CORNER; VC-RL84V,EBONY BL	SA	2
5	DJ97-01793C	2		DJ41-00626A	PBA-INTERFACE-RIGHT; VC-RM84V,FR-4,W79XL3	SA	1
6	DJ97-01793C	2	RP309	3402-001040	SWITCH-ROCKER; 250VAC,6A,2,DPST,ON-OFF	SA	1
7	DJ97-01793C	2	RP418	DJ91-00004D	ASSY SWITCH MICRO; VC-RA84V,DUSTBOX	SA	1
8	DJ97-01793C	2	RL008	DJ97-01789A	ASSY CASE-DRUM; VC-RM84V,GRAY,No,-	SA	1
9	DJ97-01793C	2		DJ41-00625A	PBA-INTERFACE-LEFT; VC-RM84V,FR-4,W124.5X	SA	1
10	DJ97-01793C	2		DJ41-00633A	PBA-REAR R; VC-RM84V,FR-4,W31.4XL25.6,DC5	SA	1
11	DJ97-01793C	2		DJ97-01792A	ASSY BODY BUMPER-SIDE L; VC-RM84V,BLK,-,-	SA	1
12	DJ97-01793C	2		DJ97-01791A	ASSY BODY BUMPER-SIDE R; VC-RM84V,BLK,-,-	SA	1
13	DJ97-01793C	2	RJ102	DJ65-00063A	TERMINAL-PIN; VC-RA84V,BRASS	SA	2
14	DJ97-01793C	2		DJ97-01785A	ASSY ROLLER FRONT; BODY-BASE,VC-RM84V,EBO	SA	1
14-1	DJ97-01785A	3	RP294	DJ70-30110A	SHAFT ROLLER-B; VC-DOM,MSWR,L26,OD3.9,ZPC	SA	1
15	DJ97-01793C	2		DJ61-01879B	POLE-BRUSH; VC-RL87V,HNBR,OD6,L13.3,GRAY,	SA	2
16	DJ97-01793C	2		DJ97-01786A	ASSY CASE-SENSOR; SR8950(EXP),EBONY BLACK	SA	1
16-1	DJ97-01786A	3	RP347	DJ32-00014A	SENSOR-DISTANCE; KIR5006C,VC-RA84V,5.0V,5	SA	3
17	DJ97-01793C	2	RB045	DJ97-01782A	ASSY WHEEL DRIVING L; WHEEL,VC-RM84V,EBON	SA	1
17-1	DJ97-01783A	3		DJ97-01781A	ASSY WHEEL; WHEEL,VC-RM84V,EBONY BLACK,LI	SA	1
18	DJ97-01793C	2	RB046	DJ97-01783A	ASSY WHEEL DRIVING R; WHEEL,VC-RM84V,EBON	SA	1
18-1	DJ97-01783A	3		DJ97-01781A	ASSY WHEEL; WHEEL,VC-RM84V,EBONY BLACK,LI	SA	1



### 3. Assy Case Basket

Exploded View

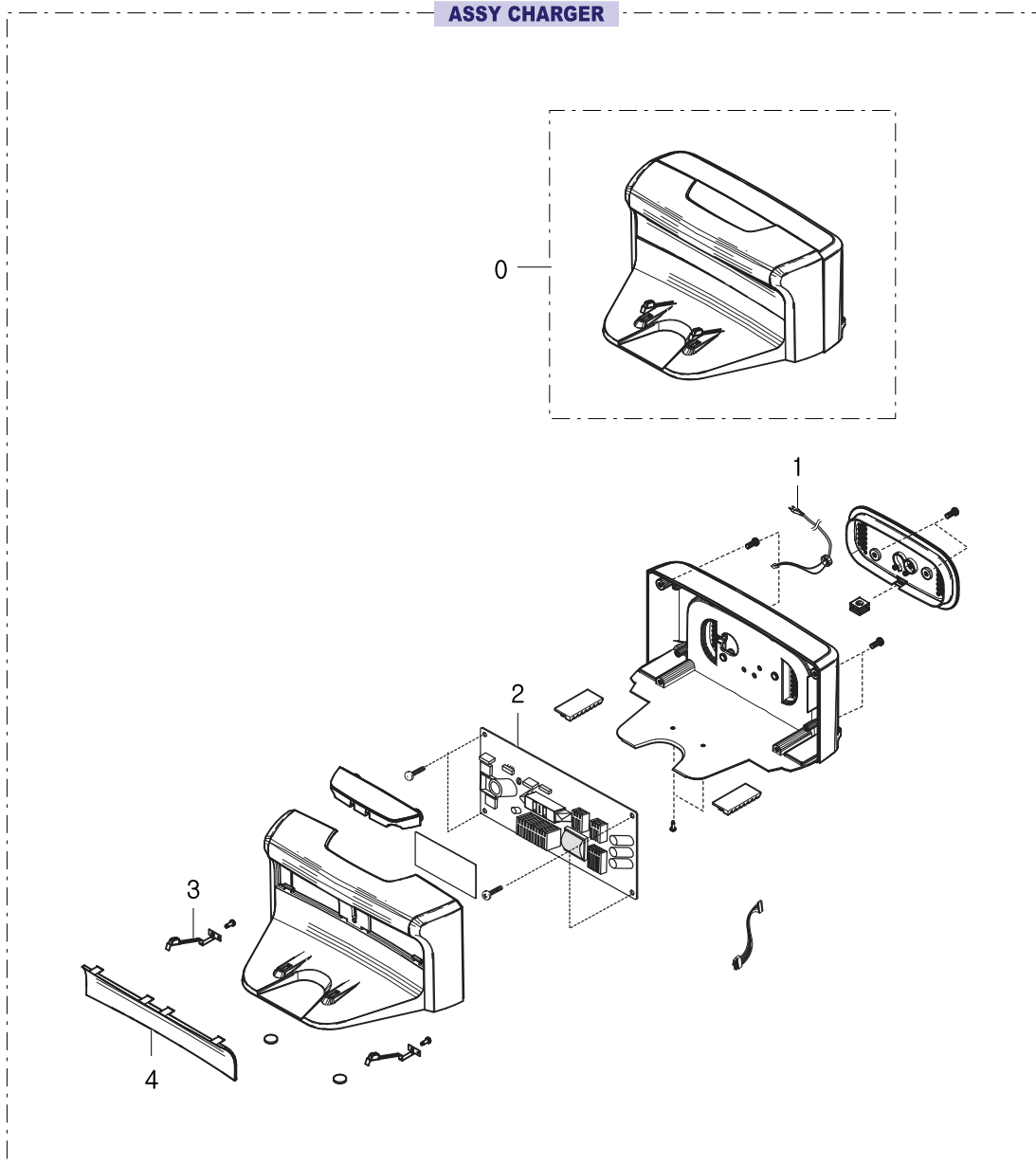


Parts List

No.	Parent	Lvl.	Loc.	Material Code	Description & Specification	SNA	Qty.
0	VCR8950L3B/XET	1	RA013	DJ97-01796A	ASSY CASE BASKET; VC-RM84V,No,Bagfree	SA	1
1	DJ97-01796A	2	RA106	DJ97-01778A	ASSY FILTER-MESH; VC-RM84V,-,SUB GRAY,MES	SA	1
2	VCR8950L3B/XET	1	RA024	DJ97-01777A	ASSY GRILLE FILTER; VC-RM84V,WHT	SA	1
3	DJ97-01796A	2	RB028	DJ97-01810A	ASSY COVER DUST SUB; VC-RM84V	SA	1

## 4. Assy Charger

### Exploded View



### Parts List

No.	Parent	Lvl.	Loc.	Material Code	Description & Specification	SNA	Qty.
0	VCR8950L3B/XET	1	RA014	DJ96-00149B	ASSY CHARGER; MAX-PJT,SUB GRY,EXP,230V,CP	SA	1
1	DJ96-00149B	2	RJ017	DJ95-00021P	ASSY POWER CORD; MAX_CHARGER,CP2 4.8,L200	SA	1
2	DJ96-00149B	2	RJ097	DJ41-00600A	PBA SMPS; MAX,CM-1,1.6T,Y,SMPS, TOP258YN,3	SA	1
3	DJ96-00149B	2	RJ171	DJ65-00062A	TERMINAL-PLATE; VC-RA84V,BRASS	SA	2

Exploded Views and Parts List

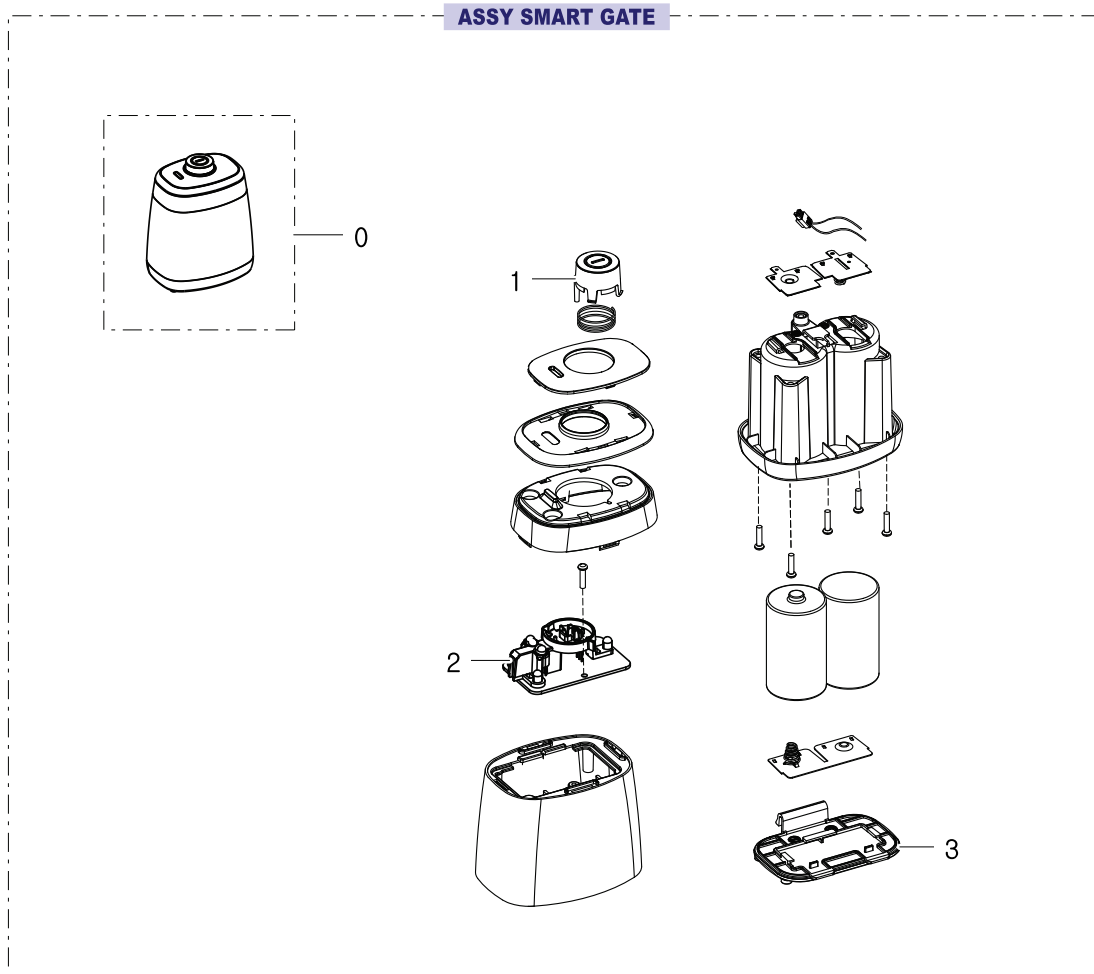
---

No.	Parent	Lvl.	Loc.	Material Code	Description & Specification	SNA	Qty.
4	DJ96-00149B	2		DJ64-01069A	WINDOW-SENSOR; VC-RM84V,PC,TRP BLK	SA	1



## 5. Assy Smart Gate

### Exploded View



### Parts List

No.	Parent	Lvl.	Loc.	Material Code	Description & Specification	SNA	Qty.
0	VCR8950L3B/XET	1	RA119	DJ97-01513D	ASSY-SMARTGATE; SR8950/SR8980,SMART GATE,	SA	2
1	DJ97-01513D	2	RP476	DJ97-01512A	ASSY-LENS; VCR8855,SMART GATE,EXP(VE)	SA	2
2	DJ97-01513D	2	RJ190	DJ41-00541B	PBA-SMARTGATE; SR8897(JAPAN),FR1,W65XL39,	SA	2
3	DJ97-01513D	2	RP419	DJ63-01050A	COVER-BATTERY; VCR8855,ABS,W80.5,L51.5,EB	SA	2