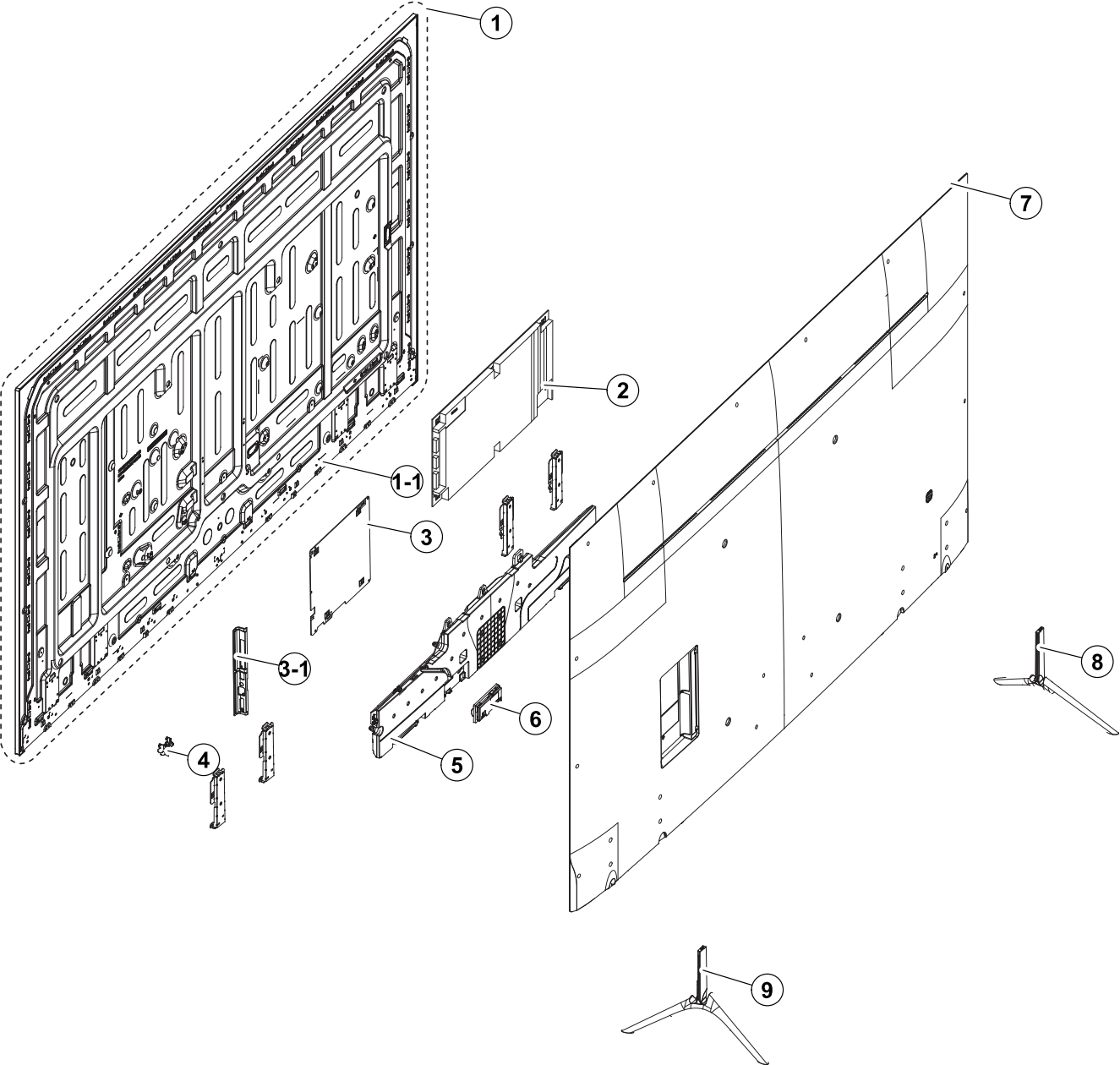


1. Exploded View & Part List

Exploded View

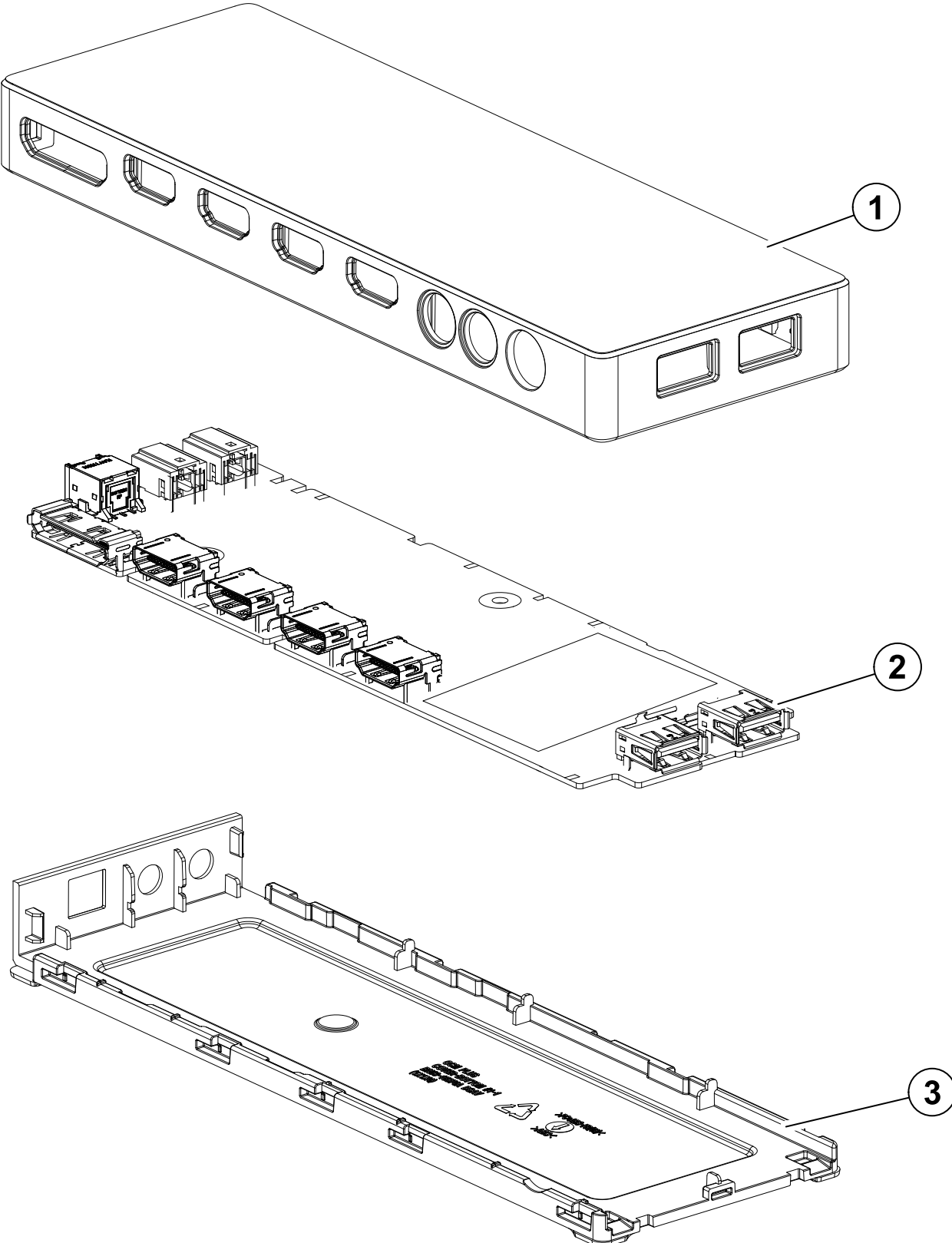


Parts List

No.	Lvl.	Loc.	Material Code	Description & Specification	SNA	Qty.
1	1	PANEL	BN95-02666A	PRODUCT LCD-AUO; CY-QK065FLAV2V/H,KS7000,	SA	1
1-1	2		BN96-41133A	ASSY CHASSIS FRONT P; 65KS7000,Al,SILVER,	SNA	1
2	2	P001A	BN44-00880A	DC VSS-PD BOARD; L65E8N_KSM,AC/DC,237W,10	SA	1
3	2	M0014	BN94-10758X	ASSY PCB MAIN; 7K	SA	1
3-1	3		BN63-15050B	COVER-TERMINAL SIDE; 55KS7000,ABS,T2,HB,B	SNA	1
4	2		BN96-39802C	ASSY BOARD P-FUNCTION TACT; KS7000/7500/K	SA	1
5	2		BN96-39888A	ASSY SPEAKER P-FRONT; TV-SPK,KS7000,6ohm,	SA	1
6	2	WIFI	BN59-01239A	NETWORK-WLAN CLIENT; WCK730B,USB 2.0,16P,	SA	1
7	2	R001A	BN96-39683G	ASSY COVER P-REAR; 65KS7000,PC+ABS+ED20%,	SA	1
8	2		BN96-39924A	ASSY COVER P-STAND TOP RIGHT; 65KS7500,AL	SA	1
9	2		BN96-39921A	ASSY COVER P-STAND TOP LEFT; 65KS7500,ALD	SA	1

2. ONE CONNECT Exploded View & Part List

ONE CONNECT Exploded View



Parts List

No.	Lvl.	Loc.	Material Code	Description & Specification	SNA	Qty.
1	2	T001A	BN96-40188H	ASSY COVER P-TOP; 55KS9000,PC+ABS,V0,BK00	SA	1
2	2	OCM	BN94-10924E	ASSY PCB MISC-ONE CONNECT MINI; Y16 OCM P	SA	1
3	2	RB01	BN63-15074E	COVER-BOTTOM; OCM PLUS,PC+ABS,MOLD,V-0,BK	SA	1

3. Electrical Parts List

Level	Loc.	Part Code	Description & Specification	Qty.	SA/SNA
			UE65KS7000UXXC (AA01)		
1		BN90-07963B	ASSY W/I;7K	1	SNA
.2		BN81-08159Z	A/S PART SET-ELEC W/I;LED TV ELEC spec-C	1	SNA
.2		BN81-12184H	A/S PART SET-MECH W/I;UKS7000S,U65KS*	1	SNA
1	R001A	BN90-07969G	ASSY COVER REAR;LED_7K	1	SNA
.2	R001A	BN96-39683G	ASSY COVER P-REAR;65KS7000,PC+ABS+ED20%,	1	SA
..3		BN61-04692A	ADHESIVE-AA;SHEET,CLEAR,C043	0	SNA
..3		BN61-13303A	HOLDER-COVER;55KS8000,Si,MOLD,BK0008,HB	2	SNA
..3	CCM1	BN63-02183G	SHEET-PROTECTION COVER;RhcM,PE,T0.05,W11	3	SNA
..3	R001	BN63-15089A	COVER-REAR;65KS7000,PC+ABS+ED20%,MOLD,V-	1	SNA
..3		BN64-03528D	INLAY-TERMINAL SIDE;55KS7000,PET,T0.125,	1	SNA
..3		BN68-07835C	LABEL WARNING;40K5500,PET,T0.125,W74,L44	1	SNA
1	S001A	BN90-07983A	ASSY STAND;LED_7K	1	SNA
.2		BN96-39921A	ASSY COVER P-STAND TOP LEFT;65KS7500,ALD	1	SA
..3		BN63-15114A	COVER-STAND TOP LEFT;65KS7500,ALDC,MOLD,	1	SNA
.2		BN96-39924A	ASSY COVER P-STAND TOP RIGHT;65KS7500,AL	1	SA
..3		6902-002673	BAG PREMIUM;HDPE,T0.03,W350,L250,TRP,REC	2	SNA
..3	RF01	BN61-13669A	FOOT-RUBBER;55KS7500,Si,GRAY,W7,L7,T2.5,	4	SNA
..3		BN63-15120A	COVER-STAND TOP RIGHT;65KS7500,ALDC,MOLD	1	SNA
..3		BN68-05603A	LABEL-E PASS;ART PAPER 90G,W/W	3	SNA
..3		BN69-13618D	PAD PACKING;65KS7500,PAPER,T0.03,W360,L4	2	SNA
1	M0017	BN91-17219X	ASSY CHASSIS;7K	1	SNA
.2	M0014	BN94-10758X	ASSY PCB MAIN;7K	1	SA
..3		BN62-00816A	HEAT SINK-PS;55KS9000,A1050,T6.3,W145,L1	1	SNA
..3		BN63-15050B	COVER-TERMINAL SIDE;55KS7000,ABS,T2,HB,B	1	SNA
..3		BN97-10623V	ASSY SMD;7K	1	SNA
...4		0402-000511	DIODE-SCHOTTKY;SS14,40V,1000mA,DO-214AC,	1	SNA
...4		0403-001164	DIODE-ZENER;MMSZ5232B,5.32~5.88V,500mW,S	1	SA
...4		0403-001831	DIODE-ZENER;KDZ12B,12~13.5V,1000mW,SOD-1	1	SA
...4		0403-002014	DIODE-ZENER;KDZ16B,16.2~18.3V,1000mW,SOD	2	SNA
...4		0404-001307	DIODE-SCHOTTKY;SSC54,40V,5000mA,DO-214AB	1	SA
...4		0404-001640	DIODE-SCHOTTKY;SS1060HEWS,60V,1000mA,SOD	1	SA
...4		0404-001953	DIODE-SCHOTTKY;MBRA340F-HAF,40V,3000mA,S	3	SA
...4		0406-001628	DIODE-TVS;AOZ8804ADI,6V,1MAV,5A,TP	1	SA
...4		0406-001635	DIODE-TVS;SMF5.0A,6.4V,6.7V,7V,200MAV,20	4	SA
...4		0406-001643	DIODE-TVS;1SMA33AT3G,36.7V,38.65V,40.6V,	1	SNA
...4		0406-001718	DIODE-TVS;SMF36A,40V,44.2V,3.8MAV,1.25VP	2	SA
...4		0504-000126	TR-DIGITAL;KSR1101,NPN,200mW,4.7K/4.7K,S	2	SA

Exploded Views and Parts List

Level	Loc.	Part Code	Description & Specification	Qty.	SA/SNA
...4		0505-001844	FET-SILICON;SI4435DDY-T1-GE3,P,30V,-11.4	4	SA
...4		0505-002598	FET-SILICON;AP2317GN,P,20V,-4.2A,0.052oh	1	SA
...4		0505-002660	FET-SILICON;Si2308BDS,N,60V,2.3A,0.156oh	1	SNA
...4		0505-002790	FET-SILICON;ZXMP6A17G,P,60V,-4.3A,0.190o	1	SA
...4		0505-002893	FET-SILICON;AO4801AS,P,30V,-5A,2W,SOIC-8	1	SA
...4		0505-003205	FET-SILICON;DMG4435SSS-13,P,30V,-7.3A,1.	1	SA
...4		0505-003224	FET-SILICON;AO6405,P,30V,-5A,0.052ohm,2W	1	SA
...4		0505-003264	FET-SILICON;AO4447AL,P,30V,-17A,7mohm,3.	1	SA
...4		0505-003391	FET-SILICON;AOD2922,N,100V,8A,140Mohm,18	1	SA
...4		0505-003397	FET-SILICON;2N7002K,N,60V,0.38A,1.19ohm,	1	SA
...4		0801-003603	IC-CMOS LOGIC;MC74LCX244MN2TWG,Octal buf	1	SA
...4		1001-001998	IC-ANALOG MULTIPLEX;NX3DV221GM,USB switc	1	SA
...4		1003-002830	IC-LEVEL DRIVER;AUO-S302.49,TQFN,32,4x4x	1	SA
...4		1006-001576	IC-DRIVER/RECEIVER;MAX3221ECPWR,TSSOP,16	1	SA
...4		1103-001564	IC-EEPROM;S-24C512CI-J800,512Kbit,64Kx8,	1	SA
...4		1105-002704	IC-DDR4 SDRAM;K4F8E304HB-MGCH,LPDDR4-SDR	3	SA
...4		1201-000166	IC-OP AMP;LM358,SOP,ST,8P,150MIL,DUAL,10	1	SA
...4		1201-004003	IC-AUDIO AMP;TAS880021,TSSOP,48P,12.5x6.	2	SA
...4		1203-004364	IC-VOL. DETECTOR;RT9818C-42PV,SOT-23,3P,	1	SA
...4		1203-008102	IC-POSI.FIXED REG.;S-13A1D12-E800,HSOP,8	1	SNA
...4		1203-008105	IC-POSI.FIXED REG.;S-13A1D33-E800,HSOP,8	1	SNA
...4		1203-008391	IC-DC/DC CONVERTER;AOZ1269QI-02,QFN-23L,	1	SA
...4		1203-008392	IC-VOL. DETECTOR;S-6414AAB-L800X,TSOT-23	1	SA
...4		1203-008664	IC-DC/DC CONVERTER;RT6935BGQW,WQFN,56,7x	1	SA
...4		1203-008667	IC-DC/DC CONVERTER;RT6936A,WQFN,40,6x6mm	1	SA
...4		1203-008725	IC-POSI.ADJUST REG.;SC4508A,MLPQ,12,4x4m	1	SA
...4		1203-008732	IC-DC/DC CONVERTER;SYD104ADC,TSOT-23,6,3	1	SA
...4		1203-008733	IC-DC/DC CONVERTER;AOZ1236QI-02,QFN,23,4	1	SA
...4		1203-008735	IC-DC/DC CONVERTER;AOZ1267QI-02,QFN,23,4	1	SA
...4		1204-003679	IC-DECODER;SDP1501,FCPBGAH,1230P,35*35mm	1	SA
...4		1205-004822	IC-SWITCH;TPS22965DSGR,SON,8P,2x2x0.75mm	3	SNA
...4		1205-005554	IC-REPEATER;TMDS181,VQFN,48P,7x7mm,PLAST	1	SA
...4	IS01	1209-002183	IC-SENSOR;S-5851AAA-M6T1U,SOT,6Z30,2.9x1	1	SA
...4		1404-001731	THERMISTOR-NTC;33Kohm,4050K,1mW/C,TP,1.6	2	SNA
...4		1405-001271	VARISTOR;35V,20VDC,5A,1.0x0.5mm,TP,100V,	10	SA
...4		1405-001381	VARISTOR;11V,8VDC,30A,1.6x0.8mm,TP,25V,5	3	SA
...4		1405-001382	VARISTOR;24.5V,16VDC,120A,2.0x1.25mm,TP,	2	SA
...4		2007-000029	R-CHIP;0ohm,5%,1/8W,TP,2012	1	SC
...4		2007-000033	R-CHIP;0ohm,5%,1/4W,TP,3216	1	SA
...4		2007-000039	R-CHIP;0ohm,1%,1/10W,TP,1608	9	SA

Level	Loc.	Part Code	Description & Specification	Qty.	SA/SNA
...4		2007-000043	R-CHIP;1Kohm,1%,1/10W,TP,1608	1	SA
...4		2007-000052	R-CHIP;10Kohm,1%,1/10W,TP,1608	2	SA
...4		2007-000066	R-CHIP;20Kohm,1%,1/10W,TP,1608	1	SNA
...4		2007-000070	R-CHIP;0ohm,5%,1/10W,TP,1608	12	SA
...4		2007-000084	R-CHIP;4.7Kohm,5%,1/10W,TP,1608	2	SA
...4		2007-000090	R-CHIP;10Kohm,5%,1/10W,TP,1608	1	SA
...4		2007-000146	R-CHIP;6.8Kohm,5%,1/16W,TP,1005	1	SNA
...4		2007-000171	R-CHIP;0ohm,5%,1/16W,TP,1005	74	SNA
...4		2007-000219	R-CHIP;1.2Kohm,1%,1/10W,TP,1608	1	SA
...4		2007-000265	R-CHIP;1.8Kohm,1%,1/10W,TP,1608	1	SA
...4		2007-000308	R-CHIP;10ohm,5%,1/8W,TP,2012	4	SA
...4		2007-000309	R-CHIP;10ohm,5%,1/10W,TP,1608	4	SA
...4		2007-000516	R-CHIP;2.7Kohm,1%,1/10W,TP,1608	1	SNA
...4		2007-000683	R-CHIP;3.3Kohm,1%,1/10W,TP,1608	7	SA
...4		2007-000736	R-CHIP;30Kohm,1%,1/10W,TP,1608	1	SA
...4		2007-000816	R-CHIP;390Kohm,1%,1/10W,TP,1608	1	SNA
...4		2007-000881	R-CHIP;4.7ohm,5%,1/8W,TP,2012	16	SNA
...4		2007-000932	R-CHIP;470ohm,5%,1/16W,TP,1005	1	SNA
...4		2007-000939	R-CHIP;47Kohm,1%,1/10W,TP,1608	1	SA
...4		2007-001125	R-CHIP;68Kohm,1%,1/10W,TP,1608	2	SA
...4		2007-001139	R-CHIP;7.5Kohm,1%,1/10W,TP,1608	2	SA
...4		2007-001292	R-CHIP;33ohm,5%,1/16W,TP,1005	14	SNA
...4		2007-001298	R-CHIP;51ohm,5%,1/16W,TP,1005	11	SNA
...4		2007-003015	R-CHIP;2.2ohm,5%,1/16W,TP,1005	1	SNA
...4		2007-007108	R-CHIP;43.2Kohm,1%,1/16W,TP,1005	2	SA
...4		2007-007131	R-CHIP;13Kohm,1%,1/16W,TP,1005	4	SA
...4		2007-007136	R-CHIP;4.7Kohm,1%,1/16W,TP,1005	81	SNA
...4		2007-007138	R-CHIP;27Kohm,1%,1/16W,TP,1005	2	SNA
...4		2007-007142	R-CHIP;10Kohm,1%,1/16W,TP,1005	65	SNA
...4		2007-007231	R-CHIP;110Kohm,1%,1/10W,TP,1608	1	SA
...4		2007-007310	R-CHIP;8.2Kohm,1%,1/16W,TP,1005	1	SA
...4		2007-007313	R-CHIP;6.8Kohm,1%,1/16W,TP,1005	3	SA
...4		2007-007316	R-CHIP;3.3Kohm,1%,1/16W,TP,1005	2	SNA
...4		2007-007317	R-CHIP;2.2Kohm,1%,1/16W,TP,1005	1	SA
...4		2007-007334	R-CHIP;200Kohm,1%,1/16W,TP,1005	4	SNA
...4		2007-007488	R-CHIP;75Kohm,1%,1/16W,TP,1005	7	SNA
...4		2007-007520	R-CHIP;20ohm,1%,1/10W,TP,1608	6	SA
...4		2007-007528	R-CHIP;1.5Kohm,1%,1/16W,TP,1005	7	SA
...4		2007-007627	R-CHIP;16Kohm,1%,1/16W,TP,1005	1	SA
...4		2007-007643	R-CHIP;2Mohm,1%,1/10W,TP,1608	1	SA

Exploded Views and Parts List

Level	Loc.	Part Code	Description & Specification	Qty.	SA/SNA
...4		2007-007733	R-CHIP;51ohm,1%,1/10W,TP,1608	2	SA
...4		2007-007798	R-CHIP;10ohm,1%,1/16W,TP,1005	9	SA
...4		2007-008136	R-CHIP;36Kohm,1%,1/16W,TP,1005	1	SA
...4		2007-008269	R-CHIP;51Kohm,1%,1/16W,TP,1005	1	SA
...4		2007-008298	R-CHIP;49.9ohm,1%,1/16W,TP,1005	13	SA
...4		2007-008391	R-CHIP;6.34Kohm,1%,1/16W,TP,1005	1	SA
...4		2007-008596	R-CHIP;0.1ohm,1%,1/4W,TP,3216	2	SC
...4		2007-009322	R-CHIP;1.3Kohm,1%,1/16W,TP,1005	3	SA
...4		2011-001261	R-NETWORK;33ohm,5%,1/16W,L,CHIP,8P,TP,2.	6	SA
...4		2011-001264	R-NETWORK;10ohm,5%,1/16W,L,CHIP,8P,TP,2.	16	SNA
...4		2011-001344	R-NETWORK;100ohm,5%,1/16W,L,CHIP,8P,TP,2	6	SA
...4	AD480	2203-000233	C-CER,CHIP;0.1nF,5%,50V,C0G,TP,1005	6	SA
...4	AD480	2203-000278	C-CER,CHIP;0.01nF,0.5pF,50V,C0G,TP,1005	2	SA
...4	AD480	2203-000386	C-CER,CHIP;0.015nF,5%,50V,C0G,TP,1005	3	SA
...4	AD480	2203-000438	C-CER,CHIP;1nF,10%,50V,X7R,TP,1005	16	SA
...4	AD480	2203-000489	C-CER,CHIP;2.2nF,10%,50V,X7R,TP,1005	1	SA
...4	AD480	2203-000714	C-CER,CHIP;3.3nF,10%,50V,X7R,TP,1005	6	SA
...4	AD480	2203-001428	C-CER,CHIP;470nF,10%,50V,X7R,TP,2012	1	SNA
...4	AD480	2203-002398	C-CER,CHIP;22nF,10%,50V,X7R,TP,1608	1	SNA
...4	AD480	2203-002525	C-CER,CHIP;0.56nF,10%,50V,X7R,TP,1005	1	SNA
...4	AD480	2203-005054	C-CER,CHIP;0.0047nF,0.25pF,50V,NP0,TP,10	2	SA
...4	AD480	2203-006088	C-CER,CHIP;330nF,10%,10V,X7R,TP,1608	1	SA
...4	AD480	2203-006324	C-CER,CHIP;2200nF,10%,10V,X5R,TP,1608	16	SA
...4	AD480	2203-006377	C-CER,CHIP;4700nF,10%,25V,X5R,TP,2012	3	SNA
...4	AD480	2203-006698	C-CER,CHIP;1000nF,10%,25V,X7R,TP,1608,0.	5	SNA
...4	AD480	2203-006841	C-CER,CHIP;1000nF,10%,16V,X5R,TP,1005	2	SNA
...4	AD480	2203-006844	C-CER,CHIP;470nF,10%,10V,X5R,TP,1005	4	SA
...4	AD480	2203-007176	C-CER,CHIP;10000nF,10%,16V,X5R,TP,2012,1	25	SNA
...4	AD480	2203-007269	C-CER,CHIP;22000nF,20%,10V,X5R,TP,2012(2	29	SA
...4	AD480	2203-008315	C-CER,CHIP;22000nF,20%,25V,X5R,TP,2012,T	13	SA
...4		2409-001240	C-ORGANIC,SMD;33uF,20%,25V,LR,TP,7343(1.	1	SA
...4		2409-001338	C-POLYMER ,CHIP;47uF,20%,6.3V,TP,3.2x1.6	1	SA
...4		2703-003747	INDUCTOR-SMD;22uH,20%,6060,0.135ohm,1300	2	SA
...4		2703-003862	INDUCTOR-SMD;10uH,20%,6060,0.065ohm,1900	3	SA
...4		2703-003913	INDUCTOR-SMD;2.2uH,20%,2520,1.2T,0.116Oh	1	SNA
...4		2703-003937	INDUCTOR-SMD;1uH,20%,7.0x6.47x3.0mm,0.00	3	SA
...4		2703-004586	INDUCTOR-SMD;3.3uH,20%,5050,2T,0.063Ohm,	1	SA
...4		2703-004724	INDUCTOR-SMD;8.2uH,20%,4T,0.072Ohm,2300m	6	SA
...4		2703-005376	INDUCTOR-SMD;10uH,20%,10x10.7mm,4.0T,0.0	1	SA
...4		2801-004021	CRYSTAL-SMD;24.576MHZ,20ppm,28-AAN,12pF,	1	SA

Level	Loc.	Part Code	Description & Specification	Qty.	SA/SNA
...4		3301-001364	BEAD-SMD;1000ohm,1608,TP,1085ohm/108MHz,	6	SNA
...4		3301-002039	BEAD-SMD;26ohm,1608,TP	49	SA
...4		3601-001376	FUSE-SURFACE MOUNT;32V,3A,FAST-ACTING,Hi	1	SNA
...4		3708-003241	CONNECTOR-FPC/FFC/PIC;96P,0.5mm,SMD-A,AU	2	SNA
...4		3709-001782	CONNECTOR-CARD SLOT;68P,1.27mm,ANGLE,AU,	1	SA
...4		3711-007587	CONNECTOR-HEADER;BOX,18P,2R,2mm,ANGLE,SN	1	SA
...4		3711-007741	CONNECTOR-HEADER;BOX,14P,2R,2.0mm,ANGLE,	1	SA
...4		3711-007975	CONNECTOR-HEADER;BOX,10P,1R,1.25mm,SMD-A	1	SA
...4		3711-009090	CONNECTOR-HEADER;BOX,16P,1R,1.25mm,SMD-A	1	SA
...4		3711-009106	CONNECTOR-HEADER;BOX,20P,2R,2mm,ANGLE,SN	1	SA
...4		3722-003199	JACK-MODULAR;8P/8C,Y,ANGLE,NONE,AU,1PORT	1	SA
...4		3722-003394	JACK-PHONE;1P/6C,AU,BLK,ANGLE,3.6PI,9x14	1	SA
...4		6302-001376	GASKET-SMD;,,CONDUCTIVE FABRIC,T14,W43,L	6	SNA
...4		BN41-02504A	PCB-MAIN;KS8000/KS9000,FR-4,4L,1.2T,214x	1	SNA
...4	CB07	BN61-13312B	BRACKET-PCB;55KS8000,SK5,T0.3,13.7,11.4,	4	SNA
...4		BN97-10856B	ASSY MICOM-SUB;JMMICOM_EU_TV,UWQ60,W25Q4	1	SNA
....5		1107-002226	IC-NOR FLASH;W25Q40CLSSIP,4Mbit,SOIC,8P,	1	SA
...4		BN97-10858A	ASSY MICOM-MAIN;T-JZMDEUC,UWQ60,KLM8G1GE	1	SNA
....5		1107-002362	IC-EMMC;KLM8G1GEND-B031,8GB,64Gb MLC x 1	1	SNA
...4		BN97-10878A	ASSY MICOM;TCON,65-AUO-Flat,W25Q80DVSSIG	1	SNA
....5		1107-002339	IC-NOR FLASH;W25Q80DV,8Mbit,SOP,5.28x5.2	1	SNA
....5		BN46-00515A	S/W MICOM;Jazz M-L,TCON F/W	1	SNA
..3		BN97-10873A	ASSY DRM;Jazz M,DVB,NagSam, MAC, HDCP, C	1	SNA
...4		BN46-00109H	KEY CODE-CERTIFICATION;MAC,TV/AV,General	1	SNA
...4		BN46-00110P	KEY CODE-CERTIFICATION;MIRACAST(HDCP2.2)	1	SNA
...4		BN46-00496A	KEY CODE-CERTIFICATION;Jazz-M,Nagra CSC	1	SNA
...4		BN46-00514A	KEY CODE-CERTIFICATION;CI PLUS,Jazz M, J	1	SNA
..3		BN97-11347A	ASSY MICOM;TCON DATA,65-AUO-Flat	1	SNA
...4		BN46-00505A	S/W MICOM;K65LBU0F,AUO,65L1MU*QK,Flat	1	SNA
..3	M0131	MD63-00103A	GASKET-TAPE;GRANDSLAM,Conductive Fabric,	2	SNA
1		BN91-17227S	ASSY SHIELD;7K	1	SNA
..2		BN02-00102B	TAPE-FILAMENT;#8917,0.15,25,50,WHITE	0	SNA
..2		BN39-02204D	LEAD CONNECTOR-SUB ASSY;65KS7000,UL21016	1	SA
..2		BN39-02207B	LEAD CONNECTOR-POWER;65KS7500,Lead Conne	1	SA
..2		BN39-02208B	LEAD CONNECTOR-DIMMING;65KS7500,Lead Con	1	SA
..2		BN39-02211A	LEAD CONNECTOR-SUB ASSY;55KS9000,UL21451	1	SA
..2	P001A	BN44-00880A	DC VSS-PD BOARD;L65E8N_KSM,AC/DC,237W,10	1	SA
..2	WIFI	BN59-01239A	NETWORK-WLAN CLIENT;WCK730B,USB 2.0,16P,	1	SA
..2		BN96-39802C	ASSY BOARD P-FUNCTION TACT;KS7000/7500/K	1	SA
..2		BN96-39820B	FFC CABLE;43KS7500,Fold,L500,96P	1	SA

Exploded Views and Parts List

Level	Loc.	Part Code	Description & Specification	Qty.	SA/SNA
.2		BN96-39821B	FFC CABLE;49KS7500,Fold,L350,96P	1	SA
.2		BN96-39888A	ASSY SPEAKER P-FRONT;TV-SPK,KS7000,6ohm,	1	SA
1		BN91-17868H	ASSY FIXING-JACKPACK;Y16 OCM	1	SA
.2		AA68-02626A	LABEL-PQS;ART,W40,L12,SERIAL	2	SNA
.2		BN39-02210A	ONECONNECTMINI CABLE;KS7000-KS9000,44P,L	1	SA
.2	RB01	BN63-15074E	COVER-BOTTOM;OCM PLUS,PC+ABS,MOLD,V-0,BK	1	SA
..3		0103-005041	RESIN PC ABS;FR3200TV,901408,BK0008,1.2m	100	SNA
.2		BN69-13267A	BOX ACCESSORY;CB,SW-E,L373,W308	1	SNA
.2	OCM	BN94-10924E	ASSY PCB MISC-ONE CONNECT MINI;Y16 OCM P	1	SA
..3		AH62-00243A	HEAT SINK-ES;HT-E3500,A6063,W104.8,L15,S	1	SA
..3	OCM BD	BN97-10869E	ASSY SMD;7/8/9 SERIES	1	SA
...4		0202-001899	SOLDER-CREAM;M705-GRN360-K2-VT,20-38um,S	9	SNA
...4	DS01A	0401-001056	DIODE-SWITCHING;MMBD4148SE,100V,200mA,SO	2	SA
...4	DR01A	0402-001614	DIODE-RECTIFIER;S1G,400V,1A,DO-214AC,TP	1	SA
...4		0403-001783	DIODE-ZENER;BZB84-C6V2,5.8~6.6V,300mW,SO	4	SNA
...4		0404-001404	DIODE-SCHOTTKY;BAT721C,40V,200mA,SOT-23,	4	SA
...4		0404-001881	DIODE-SCHOTTKY;SS3040-HE,40V,3000mA,SOD-	2	SA
...4		0406-001200	DIODE-TVS;RClamp0504F,6V,1MAV,TP	3	SA
...4		0406-001290	DIODE-TVS;3.0SMCJ20A,22.2V,24.5V,5MAV,30	1	SNA
...4		0406-001317	DIODE-TVS;SMAJ14A,15.6V,17.2V,1MAV,6.5VP	1	SNA
...4		0501-000002	TR-SMALL SIGNAL;KSA812,PNP,150mW,SOT-23,	1	SNA
...4		0501-000445	TR-SMALL SIGNAL;KTC3875S-Y,NPN,150mW,SOT	18	SC
...4		0505-003507	FET-SILICON;AO3424,N,30V,3.8A,1.4W,SOT-2	6	SA
...4		0801-003292	IC-CMOS LOGIC;7WB66,Bus Switch,MAB08A,8P	1	SA
...4		0801-003598	IC-CMOS LOGIC;TC7SZ00FU,2-Input NAND Gat	1	SA
...4		0801-003604	IC-CMOS LOGIC;NL17SZ17DFT2G,SC-70,5P,TP,	1	SA
...4		1103-001583	IC-EEPROM;BR24T02FJ-WGE2,2Kbit,256x8,SOP	4	SNA
...4		1203-007697	IC-DC/DC CONVERTER;LNBH26SPQR,QFN,24,4x4	1	SA
...4		1203-008104	IC-POSIFIXED REG.;S-13A1D18-E800,HSOP,8	1	SNA
...4		1203-008345	IC-POSIAJUST REG.;S-13A1ADJ-E800X,HSOP	1	SA
...4		1203-008522	IC-DC/DC CONVERTER;SN1501019DDCR,SOT-23,	7	SNA
...4		1204-003677	IC-DECODER;SDP1503,FCPBGAH,396P,18*18mm,	1	SA
...4		1205-005519	IC-SWITCH;ET20163,SOT23-5,5P,2.95x3.02mm	4	SA
...4		1205-005537	IC-REPEATER;TCA9517,VSSOP,8P,3.00x3.00mm	1	SA
...4		2007-000137	R-CHIP;2Kohm,5%,1/16W,TP,1005	2	SNA
...4		2007-000143	R-CHIP;4.7Kohm,5%,1/16W,TP,1005	16	SNA
...4		2007-000157	R-CHIP;47Kohm,5%,1/16W,TP,1005	11	SNA
...4		2007-000173	R-CHIP;22ohm,5%,1/16W,TP,1005	1	SNA
...4		2007-000879	R-CHIP;4.7ohm,1%,1/10W,TP,1608	1	SA
...4		2007-000999	R-CHIP;510ohm,1%,1/10W,TP,1608	1	SA

Level	Loc.	Part Code	Description & Specification	Qty.	SA/SNA
...4		2007-002900	R-CHIP;11Kohm,1%,1/10W,TP,1608	1	SNA
...4		2007-007107	R-CHIP;100Kohm,1%,1/16W,TP,1005	27	SNA
...4		2007-007139	R-CHIP;47Kohm,1%,1/16W,TP,1005,T0.35	15	SA
...4		2007-007306	R-CHIP;100ohm,1%,1/16W,TP,1005	31	SNA
...4		2007-007309	R-CHIP;12Kohm,1%,1/16W,TP,1005,T0.35	1	SA
...4		2007-007312	R-CHIP;20Kohm,1%,1/16W,TP,1005	13	SA
...4		2007-007318	R-CHIP;1Kohm,1%,1/16W,TP,1005	33	SNA
...4		2007-007517	R-CHIP;240ohm,1%,1/16W,TP,1005	9	SNA
...4		2007-007587	R-CHIP;3.6Kohm,1%,1/16W,TP,1005	2	SNA
...4		2007-007766	R-CHIP;2Kohm,1%,1/16W,TP,1005	29	SNA
...4		2007-007767	R-CHIP;200ohm,1%,1/16W,TP,1005	9	SA
...4		2007-007868	R-CHIP;90.9ohm,1%,1/10W,TP,1608	2	SA
...4		2007-007942	R-CHIP;1Mohm,1%,1/16W,TP,1005	2	SNA
...4		2007-007992	R-CHIP;1ohm,1%,1/10W,TP,1608	1	SA
...4		2007-008015	R-CHIP;75ohm,1%,1/16W,TP,1005	1	SNA
...4		2007-008067	R-CHIP;21Kohm,1%,1/10W,TP,1608	2	SA
...4		2007-008134	R-CHIP;12.4Kohm,1%,1/16W,TP,1005	5	SC
...4		2007-008167	R-CHIP;120Kohm,1%,1/16W,TP,1005	1	SC
...4		2007-008263	R-CHIP;3Kohm,1%,1/16W,TP,1005	3	SA
...4		2007-008294	R-CHIP;33ohm,1%,1/16W,TP,1005	1	SA
...4		2011-001449	R-NETWORK;22ohm,5%,1/16W,L,4P,TP,1.0x1.0	4	SA
...4	AD480	2203-000359	C-CER,CHIP;0.15nF,5%,50V,C0G,TP,1005,0.5	3	SNA
...4	AD480	2203-000425	C-CER,CHIP;0.018nF,5%,50V,C0G,TP,1005	2	SA
...4	AD480	2203-000585	C-CER,CHIP;0.22nF,10%,50V,X7R,TP,1005	1	SA
...4	AD480	2203-000812	C-CER,CHIP;0.033nF,5%,50V,C0G,TP,1005	6	SA
...4	AD480	2203-000940	C-CER,CHIP;0.47nF,10%,50V,X7R,TP,1005	1	SA
...4	AD480	2203-002285	C-CER,CHIP;10nF,10%,50V,X7R,TP,1005	4	SNA
...4	AD480	2203-005083	C-CER,CHIP;220nF,10%,50V,X7R,TP,1608,0.8	3	SA
...4	AD480	2203-005344	C-CER,CHIP;22nF,10%,25V,X7R,TP,1005,0.5T	2	SNA
...4	AD480	2203-006158	C-CER,CHIP;100nF,10%,16V,X7R,TP,1005,T0.	275	SNA
...4	AD480	2203-006562	C-CER,CHIP;1000nF,10%,10V,X5R,TP,1005	54	SNA
...4	AD480	2203-006824	C-CER,CHIP;4700nF,10%,10V,X5R,TP,1608	3	SNA
...4	AD480	2203-006890	C-CER,CHIP;10000nF,20%,6.3V,X5R,TP,1608	80	SNA
...4	AD480	2203-007240	C-CER,CHIP;22000nF,20%,6.3V,X5R,TP,1608(74	SA
...4	AD480	2203-007270	C-CER,CHIP;10000nF,10%,10V,X5R,TP,1608,0	9	SNA
...4	AD480	2203-007306	C-CER,CHIP;10000nF,10%,25V,X5R,TP,2012,1	60	SNA
...4	AD480	2203-007544	C-CER,CHIP;100nF,10%,50V,X7R,TP,1005,0.5	37	SA
...4		2703-000213	INDUCTOR-SMD;470nH,10%,1.35Ohm,35mA,15,M	1	SA
...4		2703-001938	INDUCTOR-SMD;56nH,5%,1005,1.5Ohm,200mA,1	7	SA
...4		2703-004868	INDUCTOR-SMD;6.8uH,20%,4.0T,0.043Ohm,250	1	SA

Exploded Views and Parts List

Level	Loc.	Part Code	Description & Specification	Qty.	SA/SNA
...4		2703-005191	INDUCTOR-SMD;1.5uH,20%,4.5,0.02Ohm,5300m	2	SA
...4		2703-005193	INDUCTOR-SMD;2.2uH,20%,4.5,0.024Ohm,5100	4	SA
...4		2703-005194	INDUCTOR-SMD;3.3uH,20%,4.5,0.03Ohm,4500m	2	SA
...4		2801-005372	CRYSTAL-SMD;24.576MHz,20ppm,HCX-3SB,12 p	1	SA
...4		3601-001374	FUSE-SURFACE MOUNT;32V,5A,FAST-ACTING,PL	8	SA
...4		3701-001967	CONNECTOR-HDMI;19P,A,FEMALE,AU,0.5mm,BLK	4	SA
...4		3707-001104	CONNECTOR-OPTICAL;ANGLE,SPDIF	1	SA
...4		3710-004144	CONNECTOR-SOCKET;44P,1R,0.5mm,SMD-A,AU,B	2	SA
...4		3722-003457	JACK-USB;4P/1C,NI,BLK,ANGLE,A,2.0,13.1x1	3	SA
...4		BN40-00323A	TUNER-DTV AIR CABLE SAT;DTOS24EH6A,DTOS2	1	SA
...4		BN41-02510A	PCB-OCM;KS8000/KS9000,FR-4,4L,1.2T,199x6	1	SNA
.2	T001A	BN96-40188H	ASSY COVER P-TOP;55KS9000,PC+ABS,V0,BK00	1	SA
...3		6902-001408	BAG PE;HDPE/PE FOAM,T0.015/T0.5,W120,L25	1	SNA
...3	M0131	BN63-00558A	GASKET-EMI;GG15AS,Conductive Fabric,T3,W	1	SNA
...3		BN63-07272J	SHEET-PROTECTION COVER;OCM+,PE,W205,L100	0	SNA
...3	T001	BN63-15073H	COVER-TOP;OCM PLUS,PC+ABS,MOLD,V-0,BLACK	1	SNA
...4		0103-005041	RESIN PC ABS;FR3200TV,901408,BK0008,1.2m	100	SNA
1		BN92-19693T	ASSY LABEL;7K	1	SNA
.2		0203-001598	TAPE-FILAMENT;#8915,0.15,12,55000,CLR	0	SNA
.2		BN68-06708G	LABEL-RATING;Monitor,WW,PP,T0.161,W93,L7	1	SNA
.2		BN68-07519A	LABEL-ENERGY;ALL JORDAN,WW,PP,T0.135,W60	1	SNA
.2		BN68-07876E	LEAFLET-QUICK SETUP GUIDE;KS7000 65",EU,	1	SNA
1		BN92-19707W	ASSY BOX;7K	1	SNA
.2		BH68-00662A	LABEL BOX;ALL,ART PAPER,W60,L110,WHT,NO	1	SNA
.2		BN69-13436M	BOX UNIT;65KS7000,CB,DW4,F1,L1550,W140,H	1	SNA
1		BN92-19726A	ASSY P/MATERIAL;7K	1	SNA
.2		6902-001954	BAG ROLL;HDPE/PE FOAM,HDPE T0.018mm,T0.2	3	SNA
.2		6902-002233	BAG AIR;LDPE,-,T0.2,W900,L1850,TRP,-,-,-	1	SNA
.2		6922-000003	BAND;PP,T0.8,W18,L1650M,TRP,DA69-90145A	1	SNA
.2		BN02-00319B	TAPE-OPP;OPP,T0.05,W75,L800m,CLEAR	3	SNA
.2		BN68-02422B	LABEL WARNING;ALL,ART PAPER,T0.05,W240,L	1	SNA
.2		BN69-03982J	PACKING ANGLE;ALL,PAPER,-,-,-,-,-,-,-	1	SNA
.2		BN69-05418M	WRAP;T0.017,500,2000000,2000000,500	0	SNA
.2		BN69-06640E	PAD-PACKING;TRUCK PAD,CB,-,,W410,L2500,,	1	SNA
.2		BN69-06642A	PAD-DP SHEET;PAD,CB,SW4,,W1300,L1050,,,,	1	SNA
.2		BN69-13062A	CUSHION-SET SIDE;65KS7000,EPS,16.7g/l,WH	1	SNA
.2		BN69-13087A	CUSHION-SET;65KS7000,EPS,16.7g/l,WHT	1	SNA
...3		0103-005099	RESIN EPS;BASF303,Natural,Natural	973	SNA
.2		BN69-13751B	PAD-CUSHION FRONT;65KS7000,CB,DW2+EPS,W7	1	SNA
.2		BN69-14429E	PALLET-DP WOODEN;65" KS7000,WOOD,-,1085,	1	SNA

Level	Loc.	Part Code	Description & Specification	Qty.	SA/SNA
1	ACCE1	BN92-19743N	ASSY ACCESSORY;7K	1	SNA
.2	ACCE4	BN96-39645W	ASSY ACCESSORY-MANUAL;UK7S	1	SNA
..3		6902-001964	BAG PE;LDPE,BIOBASED,T0.03,W200,L300,TRP	1	SNA
..3		BN68-00514K	LEAFLET-WARRANTY;comm,Samsung,15Lang,W,E	1	SNA
..3		BN68-04972E	LEAFLET-REGULATORY GUIDE;ALL,SAMSUNG,W/W	1	SNA
..3		BN68-07598A	LEAFLET-FICHE;ALL,W/P,0	1	SNA
..3		BN68-07864P	MANUAL USERS;KS7000,XC,W/P,EURO B5	1	SNA
..3		BN68-08099A	LEAFLET;JAZZ-M,EUROPE,W/P,W176,L250,4COL	1	SNA
.2	ACCE2	BN96-39646A	ASSY ACCESSORY-CABLE;UK7S	1	SNA
..3	T0268	3903-000950	CBF-POWER CORD;DT,CEE,LP-21L,250V,2.5A,B	1	SA
..3		4301-000101	BATTERY-ALKALINE;1.5V,1650mAH,LR6,14.5x5	2	SNA
..3		6902-001965	BAG PE;LDPE,BIOBASED,T0.05,W200,L300,TRP	1	SNA
..3		BN59-01242A	REMOCON-SMART CONTROL;2016 TV,Samsung,14	1	SA
..3	AH089	BN61-14022A	HOLDER-CABLE;55KS7000,ABS,T1.5,BK0007,HB	2	SA
..3	M9889	BN63-01798B	CLOTH-CLEAN;CLOTH,SEA BLUE,ToC	1	SA
..3	EH03A	BN96-40460A	ASSY HOLDER P-RING;55KS7500,ABS,BLACK,V-	1	SNA
..4		BN61-13518A	HOLDER-WALL RING;55KS7500,ABS,MOLD,BK000	4	SA
..3	RS01A	BN96-41074A	ASSY COVER P-REAR SUB;55KS7000,ABS+PMMA,	1	SA
..4		6902-001404	BAG PE;LDPE,T0.05,W80,L100,TRP,N	2	SNA
..4		BN63-07556F	SHEET-PROTECTION COVER;TOC,PO,T0.7,W65,L	0	SNA
..4	AC220	BN63-15198A	COVER-CAP;55KS7500,ABS+PMMA,T0.1,HB,BK00	4	SNA
..4		BN68-08083A	LEAFLET;KS8000,W/W,W/P,00,A5	1	SNA
.2	FC05A	BN96-40472A	ASSY COVER P-TERMINAL;65KS7000,PC+ABS,V-	1	SA
..3		BN63-11875X	SHEET-PROTECTION COVER;55KS7000,PO,T0.06	0	SNA
..3		BN63-15203A	COVER-TERMINAL;PC+ABS,MOLD,V-0,BK0008	1	SNA
..3	T0527	BN68-00513A	LABEL-E PASS;ALL MODEL,WW,YUPO,W50,L15,W	3	SNA
1		BN92-20417A	ASSY LABEL POP;BN68-07969A	1	SNA
.2		BN68-07969A	LABEL POP-HIGHLIGHT;55KS7500,PET,T0.188,	1	SNA
1	PANEL	BN95-02666A	PRODUCT LCD-AUO;CY-QK065FLAV2V/H,KS7000,	1	SA
.2		0203-006966	TAPE-OPP;PET,T0.05,W10,L1000M,BLK,ROLL	2	SNA
.2	SCREW	6001-003016	SCREW-MACHINE;PWH,+,M3,L5.0,ZPC(WHT),SWR	10	SA
.2		BN61-13410A	BRACKET-STAND LEFT;65KS7500,EGI-SECC,T1.	2	SNA
.2		BN61-13411A	BRACKET-STAND RIGHT;65KS7500,EGI-SECC,T1	2	SNA
.2	M0131	BN63-00520A	GASKET-EMI;APPOLO_PAL,Conductive Fabric,	2	SNA
.2		BN68-05722A	LABEL-E PASS;POLYPROPYLENE,NON-COATING	1	SNA
.2		BN74-00053E	TAPE-PAPER;PAPER,3M2307,0.14T,W20,50m,WH	0	SNA
.2		BN90-08172A	ASSY MISC-BLU;Y16,LCM	1	SNA
..3		6001-002912	SCREW-MACHINE;CH,+,M3,L3,ZPC(BLK),SWRCH1	14	SA
..3		BN61-13648A	OPTICAL SHEET-DBEF;16Y_KS9000_65INCH_DBE	1	SNA
..3		BN61-13649A	OPTICAL SHEET-HIGH COLOR;16Y_KS9000_65IN	1	SNA

Exploded Views and Parts List

Level	Loc.	Part Code	Description & Specification	Qty.	SA/SNA
...3		BN61-13650A	OPTICAL SHEET-COMPLEX;16Y_KS9000_65INCH_	1	SNA
...3		BN61-13651A	OPTICAL SHEET-REFLECTOR;16Y_KS9000_65INC	1	SNA
...3		BN61-13690A	LGP;16Y_KS9000_65INCH_LGP,MS,MS Lenti (V	1	SNA
...3		BN61-14082A	HOLDER-LGP;55KS7000,PC,MOLD,WT0044,V-2	1	SNA
...3		BN96-39379B	ASSY LED BAR P;65inch_AUO_L,ALUMINUM	1	SNA
...3		BN96-39380B	ASSY LED BAR P;65inch_AUO_R,ALUMINUM	1	SNA
...3		BN96-39592A	ASSY FRAME P-MIDDLE BOTTOM;65KS7000,PC+G	1	SNA
...4		BN60-01175F	SPACER-SILICONE;65KS9000,Si,L713,GRAY,T0	2	SNA
...4		BN60-01356D	SPACER-FOAM;65KS8000,PU FOAM,L710,WHITE,	2	SNA
...4		BN61-13273A	FRAME-MIDDLE BOTTOM;65KS7000,PC+GF10%,V-	1	SNA
...3		BN96-39616D	ASSY CHASSIS REAR P;65KS7000,EGI-SECC,NA	1	SNA
...4	SCREW	6001-002759	SCREW-MACHINE;CH,+,M3,L4,ZPC(BLK),SWRCH1	6	SA
...4		6041-001068	RIVET-PH;6SR000032004301_Cr3+WH,SWRCH10A	10	SNA
...4		BN02-00040B	TAPE DOUBLE FACE;NNB 32/40/46/55",PET,T0	1	SNA
...4		BN02-00102B	TAPE-FILAMENT;#8917,0.15,25,50,WHITE	1	SNA
...4		BN02-00134L	TAPE PET;PET,T0.35,W10,L15,GRAY	20	SNA
...4		BN02-00493A	TAPE PET;55KS9000,PET,T0.05,W5,L50,BLACK	6	SNA
...4		BN02-00508A	TAPE PET;65KS7000,PET,T0.05,W13,L70,BLAC	5	SNA
...4		BN02-00509A	TAPE DOUBLE FACE;55KS7000,FELT,T0.15,W3,	2	SNA
...4		BN02-00509B	TAPE DOUBLE FACE;55KS7000,FELT,T0.15,W3,	2	SNA
...4		BN39-02196A	LEAD CONNECTOR-BLU;65 KS7000,UL21016,26P	1	SNA
...4		BN61-04692A	ADHESIVE-AA;SHEET,CLEAR,C043	0	SNA
...4		BN61-05914A	TAPE DOUBLE FACE;65LB650,ACRYL FOAM,T1.1	0	SNA
...4		BN61-06539C	TAPE-DOUBLE FACE;ACRYL,T0.16,W10,Transpa	0	SNA
...4		BN61-08235A	HOLDER-LGP;SNB,SWRCH10A,EXTRUSION,BLACK,	2	SNA
...4		BN61-08235F	HOLDER-LGP;55KS7500,SWRCH10A,EXTRUSION,S	2	SNA
...4	CB20	BN61-11982B	BRACKET-WALL;55KS7000,CR-SPCC,EXTRUSION,	4	SNA
...4		BN61-13327A	HOLDER-SHEET;55KS7500,ABS,MOLD,BK0007,HB	5	SNA
...4		BN61-13350B	BRACKET-LED PCB;65KS7000,AI,T1.5,NATURAL	1	SNA
...4		BN61-13557A	BRACKET-WIRE;55KS7000,SW-C,T1,60,SILVER	2	SA
...4		BN61-13557K	BRACKET-WIRE;55KS7000,SW-C,T1,605,SILVER	4	SA
...4		BN61-13781A	HOLDER-LGP LEFT;55KS7500,TPV,MOLD,BK0008	1	SNA
...4		BN61-13782A	HOLDER-LGP RIGHT;55KS7500,TPV,MOLD,BK000	1	SNA
...4	AH358	BN61-13908A	HOLDER-REAR;55KS9000,ABS,MOLD,BK0007,HB	6	SNA
...4		BN61-14073A	BRACKET-CLIP;55KS7000,SK5,T0.2,NATURAL	20	SNA
...4		BN63-15280A	INSULATOR-SMPS;65KS9000,PC,BLACK,L435,W2	1	SNA
...4		BN63-15365A	INSULATOR-SOURCE PCB LEFT;65KS7000,PET,B	1	SNA
...4		BN63-15366A	INSULATOR-SOURCE PCB RIGHT;65KS7000,PET,	1	SNA
...4	CC04	BN64-03355A	CHASSIS-REAR;65KS7000,EGI-SECC,PRESS,T0.	1	SNA
...4	T0527	BN68-00513A	LABEL-E PASS;ALL MODEL,WW,YUPO,W50,L15,W	1	SNA

Level	Loc.	Part Code	Description & Specification	Qty.	SA/SNA
..4		BN74-00053E	TAPE-PAPER;PAPER,3M2307,0.14T,W20,50m,WH	0	SNA
.2		BN96-39239A	ASSY OPEN CELL;T650QVR05.6,16:9,16	1	SNA
..3		BN81-12963A	A/S-ADHESIVE ACF;ADHESIVE ACF,47.COF21.0	1	SNA
..3		BN81-12964A	A/S-ADHESIVE SIL;ADHESIVE SIL,47.23T01.0	1	SNA
..3		BN81-13027A	A/S-IC DRIVER SOURCE;IC DRIVER SOURCE,46	16	SNA
..3		BN81-13028A	A/S-SOURCE PCB FRONT LEFT;SOURCE PCB FRO	1	SNA
..3		BN81-13029A	A/S-SOURCE PCB BACK LEFT;SOURCE PCB BACK	1	SNA
..3		BN81-13030A	A/S-SOURCE PCB FRONT RIGHT;SOURCE PCB FR	1	SNA
..3		BN81-13031A	A/S-POLARIZER CF;POLARIZER CF,66.C4U63.1	1	SNA
..3		BN81-13032A	A/S-SOURCE PCB BACK RIGHT;SOURCE PCB BAC	1	SNA
..3		BN81-13033A	A/S-POLARIZER TFT;POLARIZER TFT,66.T4U64	1	SNA
.2		BN96-39575A	ASSY COVER P-SOURCE PCB LEFT;65KS8000,EG	1	SNA
..3		BN63-15315A	INSULATOR-SOURCE PCB LEFT;65KS8000,PET,B	1	SNA
..3		BN63-15649A	COVER-SOURCE PCB LEFT;65KS800,EGI-SECC,T	1	SNA
.2		BN96-39576A	ASSY COVER P-SOURCE PCB RIGHT;65KS8000,E	1	SNA
..3		BN63-15314A	INSULATOR-SOURCE PCB RIGHT;65KS8000,PET,	1	SNA
..3		BN63-15648A	COVER-SOURCE PCB RIGHT;65KS800,EGI-SECC,	1	SNA
.2		BN96-39803A	ASSY COVER P-DECORATION;65KS7000,PC+GF15	1	SA
..3		BN02-00485A	TAPE PET;KS7000,PET,T0.05,W7,L50,BLACK	1	SNA
..3		BN60-00162K	SPACER-FOAM;PE FOAM,ROLL,GRAY,T0.5,W7	0	SNA
..3		BN60-01010C	SPACER-CONDUCTIVE;55KS7000,CONDUCTIVE FA	2	SNA
..3		BN60-01251H	SPACER-CONDUCTIVE;65KS7500,CONDUCTIVE FA	1	SNA
..3		BN60-01359E	SPACER-FOAM;65KS7000,PU FOAM,L1400,BLACK	1	SNA
..3		BN63-11875N	SHEET-PROTECTION COVER;SD590,AL,T0.068,W	2	SNA
..3	FD01	BN63-15065A	COVER-DECORATION;65KS7000,PC+GF15%,MOLD,	1	SNA
..3		BN74-00053E	TAPE-PAPER;PAPER,3M2307,0.14T,W20,50m,WH	0	SNA
..3		BN96-39715A	ASSY BLU P-DECO;KS7000/7500,SK5EB00070,L	1	SNA
.2		BN96-41133A	ASSY CHASSIS FRONT P;65KS7000,A1,SILVER,	1	SNA
..3		BN02-00054B	TAPE PET;49KS9000,PET,T0.05,W3,L34,BLACK	2	SNA
..3		BN02-00467A	TAPE PET;KS9000,PET,T0.05,W10,L10,BLACK	4	SNA
..3		BN02-00486A	TAPE-DOUBLE FACE;PU FOAM,T0.5,W3.2,BLK,R	3	SNA
..3		BN02-00488D	TAPE PET;65KS7500,PET,T0.1,W3.3,L807,BLA	2	SNA
..3		BN02-00489A	TAPE PET;55KS7500,PET,T0.22,W3.5,L18,GRE	3	SNA
..3		BN02-00493A	TAPE PET;55KS9000,PET,T0.05,W5,L50,BLACK	5	SNA
..3		BN60-01417A	SPACER-FOAM;55KS7000,PU FOAM,Roll,BLACK,	3	SNA
..3		BN63-15453C	SHEET-PROTECTION COVER;KS7000,PO,T0.05,W	3	SNA
..3	AC155	BN64-03649A	CHASSIS-FRONT;65KS7000,AI,-,EXTRUSION,SI	1	SNA