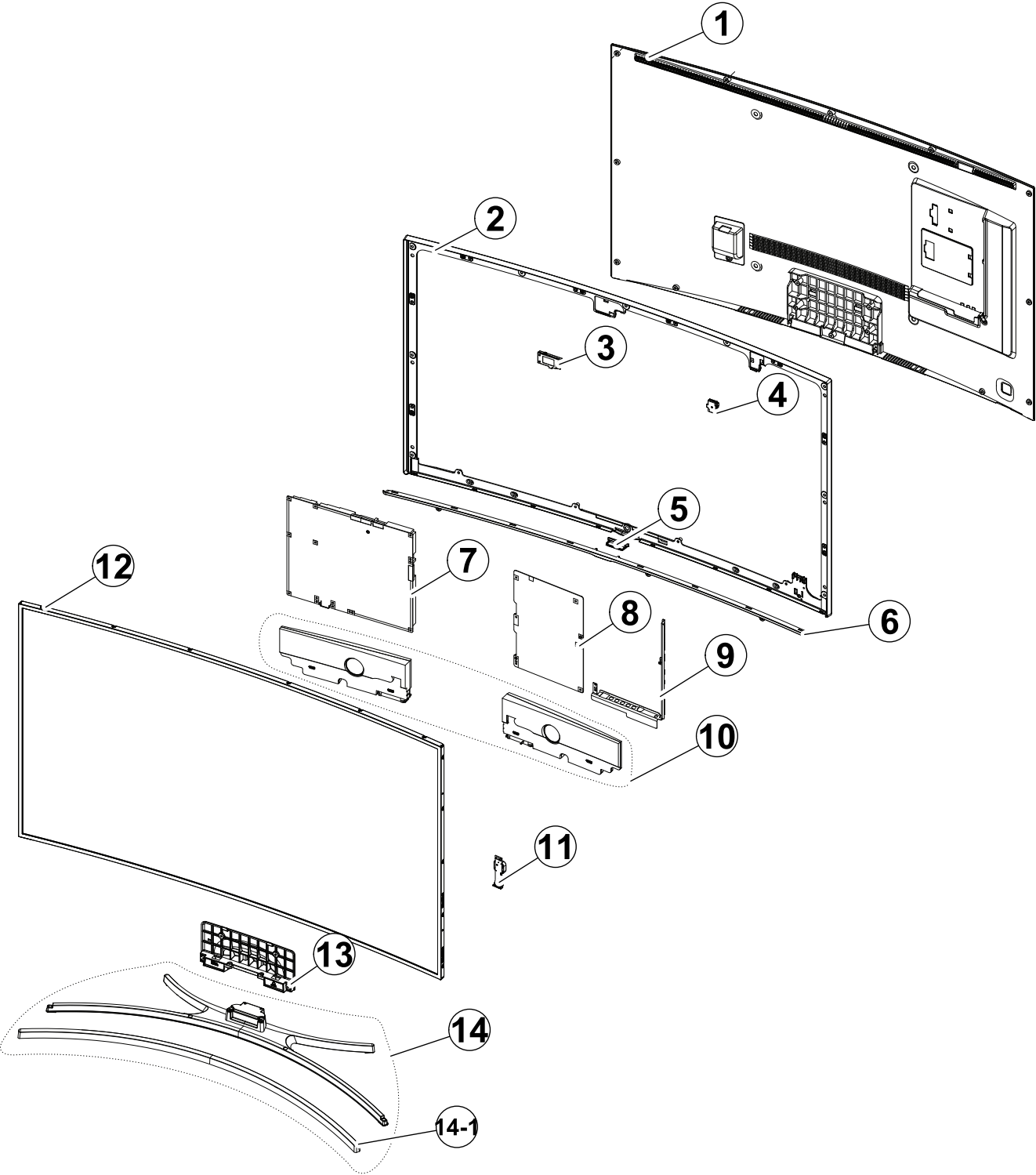


# 1. Exploded View & Part List

## Exploded View



## Parts List

No.	Lvl.	Loc.	Material Code	Description & Specification	SNA	Qty.
1	2	R001A	BN96-31794C	ASSY COVER P-REAR; UH8000,48,EU,PC+ABS GF	SA	1
2	2	M001A	BN96-33078A	ASSY COVER P-MIDDLE; H8000 48,,PC+ABS GF1	SA	1
3	2	WIFI	BN59-01174A	NETWORK-WIFI MODULE; WIDT-30Q,Internal Wi	SA	1
4	2	BT	BN96-30218A	ASSY BOARD P-RF-MODULE; Bluetooth Module,	SA	1
5	3		BN96-32106A	ASSY COVER P-BLU; UH8000,55,PC,CLEAR	SA	1
6	3	CD01A	BN95-01577A	ASSY DECORATION SMT; UH8000,48,light tita	SA	1
7	2	P001A	BN44-00727A	DC VSS-LED TV PD BD; L55C2Q_EDY,L55C2Q_ED	SA	1
8	2	M0014	BN94-07616S	ASSY PCB MAIN; UH9V	SA	1
9	3	CB01	BN61-10274B	BRACKET-AV; H8000 55",PCM,T0.4,EO	SNA	1
10	2	SP01A	BN96-31480A	ASSY SPEAKER P; 6ohm,10W,Enclosure_H8000C	SA	1
11	2	FB01A	BN96-31812B	ASSY BOARD P-FUNCTION; UH8000,FR-4,Basic	SA	1
12	2	PANEL	BN95-01375A	PRODUCT LCD-AMLCD; CY-VH048DSL1V,10 bit,	SA	1
13	2	SG01A	BN96-31799A	ASSY GUIDE P-STAND; UH8000,55,PC+GF20%,BL	SA	1
14	2	SB04A	BN96-31797B	ASSY STAND P-BASE; UH8000,55,PC+ABS,V1,BL	SA	1
14-1	3		BN63-11864A	COVER-STAND,FRONT; H8000 55",ABS+PC,EO,V2	SNA	1

## 2. Electrical Parts List

Level	Loc.	Part Code	Description & Specification	Qty.	SA/SNA
			<b>UE48H8000SLXXC (TD01)</b>		
1		BN90-05588A	ASSY COVER MIDDLE;UH8000,48	1	SNA
.2	SCREW	6001-002996	SCREW-MACHINE;FH,+,M3.0,L5.0,ZPC(BLK),SW	2	SA
.2	M001A	BN96-33078A	ASSY COVER P-MIDDLE;H8000 48,,PC+ABS GF1	1	SA
..3	CCM1	BN63-02183B	SHEET-COVER;RhcM,PE Vinyl,T0.04,150mm,20	2	SNA
..3	AS080	BN63-07229G	SHEET-COVER;rose70",SILICONE,T0.052,W15m	2	SNA
..3	R002A	BN63-11855A	COVER-MIDDLE;H8000 48",PC+ABS+G/F15%,V1,	1	SNA
...4		BN63-10879A	COVER-HOT-STAMPING(FOIL);UF7000, UF7500,	2325	SNA
..3		BN74-00052A	TAPE-PAPER;LB550,Crepe Paper,0.18mm, 10m	0	SNA
..3	CD01A	BN95-01577A	ASSY DECORATION SMT;UH8000,48,light tita	1	SA
...4		0203-001269	TAPE-OPP MASKING;#301,T0.06,W75,L50000,N	0	SNA
...4		AA69-06612H	MASTER CARTON;CB,DW-2,1235,545,220	1	SNA
...4		BN01-00160A	TARGET-CHROMIUM-CY;Chromium target,99.95	1	SNA
...4		BN01-00161A	TARGET-CHROMIUM-PL;chromium target,over	1	SNA
...4		BN01-00168A	COATING-AFS;99.5% AFS,99.50%,1.5,AF Sput	2	SNA
...4	FD01	BN63-11858A	COVER-DECORATION;H8000 48",PC+ABS+G/F15%	1	SNA
....5		0103-010275	RESIN PC ABS;235GNH15/6919H,Black,BK0007	61	SNA
...4		BN69-10395N	PACKING-SHEET SMT;UH5900 48,HDPE,PE FOAM	1	SNA
..3		BN96-32106A	ASSY COVER P-BLU;UH8000,55,PC,CLEAR	1	SA
...4		BN63-12123A	COVER-BLU;H8000C,PC,V2,Milky	1	SNA
...4		BN63-12271A	COVER-BLU, TOP;H8000,PP	1	SNA
..3		BN96-32114A	ASSY BLU P-DECO;UH8000,M14-H8000C,White	1	SA
1	R001A	BN90-05591C	ASSY COVER REAR;UH8000,48	1	SNA
.2	SCREW	6001-002755	SCREW-MACHINE;BH,+,M3,L6,ZPC(BLK),SWRCH1	19	SA
.2	R001A	BN96-31794C	ASSY COVER P-REAR;UH8000,48,EU,PC+ABS GF	1	SA
..3	R001	BN63-11861A	COVER-REAR;HC8000 48",PC+ABS+G/F15%,V1,B	1	SNA
...4		0103-010275	RESIN PC ABS;235GNH15/6919H,Black,BK0007	2338	SNA
..3		BN68-04702A	LABEL-EVOLUTION;UF8000 55",PET,0.125,BLA	1	SNA
..3		BN68-05858F	LABEL-TERMINAL SIDE;H8000,PET,T0.125,17.	1	SNA
..3		BN68-05859J	LABEL-TERMINAL BOTTOM;H8000,PET,T0.125,1	1	SNA
..3		BN68-05925A	LABEL-STICKER CI;H8000C,PET,T0.1,130,65,	1	SNA
1	S001A	BN90-05594C	ASSY STAND;UH8500,55,EUROPE	1	SNA
.2	SB04A	BN96-31797B	ASSY STAND P-BASE;UH8000,55,PC+ABS,V1,BL	1	SA
..3	SCREW	6003-001001	SCREW-TAPTYPE;FH,+,B,M3,L8,ZPC(BLK),SWRC	5	SA
..3		BN61-10268A	BRACKET-STAND,BASE;H8000C 55",AL,Diecast	1	SNA
..3	AS080	BN63-07556Y	SHEET-COVER;Y13 SF-LED,PO-SHEET,T0.068,W	1	SNA
..3		BN63-11864A	COVER-STAND,FRONT;H8000 55",ABS+PC,EO,V2	1	SNA
..3		BN63-11875B	SHEET-COVER;Y14 SF-LED,POLY*,0.068,W14,L	0	SNA

Exploded Views and Parts List

Level	Loc.	Part Code	Description & Specification	Qty.	SA/SNA
...3		BN63-12327B	SHEET-COVER STAND(HAIR);H8000 55,PET*,0.	1	SNA
...3		BN67-00398L	RUBBER-FOOT;RUBBER,SILICONE,15.5*8,2,GRA	4	SNA
.2	SG01A	BN96-31799A	ASSY GUIDE P-STAND;UH8000,55,PC+GF20%,BL	1	SA
...3	SG03	BN61-10259A	GUIDE-STAND;H8000 55",PC+G/F20%,V2,BK000	1	SNA
...4		0103-007285	RESIN-PC;MW32020GFU,K032202GFV,BK0007,V2	181	SNA
...4		BN68-00513D	LABEL-RESIN;resin,-,art paper,-,10,25,-,	1	SNA
...3		BN68-05603A	LABEL-E,PASS;ALL MODEL,ART PAPER 90G,60,	1	SNA
...3		BN69-08751A	WRAP VINYL-SHRINK;STAND,PLASTIC OTHERS,P	0	SNA
...3		BN96-29120C	ASSY ACCESSORY-SCREW;6003-001782,8EA,LED	1	SNA
...4	SCREW	6003-001782	SCREW-TAPTYPE;BH,+,B,M4,L12,ZPC(BLK),SWR	8	SA
...4		BN69-09241C	PACKING-BAG-SCREW;LDPE,0.05,70,90,,TRP,	1	SNA
1		BN90-05725A	ASSY W/I;UH8T,U48HT1	1	SNA
.2		BN81-08159Z	PART SET-ELEC W/I;UF4~UF8,UH4~UH9 ELEC	1	SNA
.2		BN81-09498K	PART SET-MECH W/I;UH8T,U48HT*	1	SNA
1		BN91-12365A	ASSY LCM-AMLCD;BN95-01375A,CY-VH048DSL1	1	SNA
.2	PANEL	BN95-01375A	PRODUCT LCD-AMLCD;CY-VH048DSL1V,10 bit,	1	SA
...3	SCREW	6001-002759	SCREW-MACHINE;CH,+,M3,L4,ZPC(BLK),SWRCH1	22	SA
...3	SCREW	6001-003075	SCREW-MACHINE;BH,+,M3,L4,ZPC(WHT),SWRCH1	11	SA
...3		BN02-00304B	TAPE ABSORBER-CORNER B;U9K,PET,0.07,26,4	2	SNA
...3		BN68-05722A	LABEL-STICKER;ALL MODEL,POLYPROPYLENE,0.	1	SNA
...3		BN74-00053E	TAPE PAPER-PROTECTION;3M2307,PAPER,0.14T	0	SNA
...3		BN90-05534A	ASSY MISC-BLU;H8000 48",CY-VH048DSL1	1	SNA
...4	SCREW	6001-002759	SCREW-MACHINE;CH,+,M3,L4,ZPC(BLK),SWRCH1	6	SA
...4		BN02-00102B	TAPE FILAMENT;UE7000,#8917,0.15,25,50,WH	0	SNA
...4		BN02-00231C	TAPE ABSORBER-SHEET FIXING (A);Y14 H8K 5	2	SNA
...4		BN02-00231D	TAPE ABSORBER-SHEET FIXING (B);Y14 H8K 5	4	SNA
...4		BN61-10220A	LGP-LED;48inch 8K Curved FHD, Lenticular	1	SNA
...4		BN63-12144A	SHEET-REFLECTOR;SRG980CS,PET,0.3,1058.71	1	SNA
...4		BN63-12145A	SHEET-PRISM;MAS670F,PET,0.30,1055.58,602	1	SNA
...4		BN63-12146A	SHEET-DBEF;DLF250,PET,0.25,1055.58,602.4	1	SNA
...4		BN63-12147A	SHEET-MLS;CH154B,PET,0.30,1055.58,602.43	1	SNA
...4		BN96-30654A	ASSY LED BAR P;VDTV 48inch edg,7032pkg,7	1	SNA
...4		BN96-30655A	ASSY LED BAR P;VDTV 48inch edg,7032pkg,7	1	SNA
...4		BN96-30956A	ASSY CHASSIS BOTTOM P;Y14 H8K 48",AL 310	1	SNA
....5	AC085	6502-000132	CABLE CLAMP;DAWS-1NE,ID11,L21.0,NTR,NYLO	2	SNA
....5		BN02-00040B	TAPE DOUBLE FACE-DIFFUSER FIXING;NNB 32/	1	SNA
....5		BN02-00074A	TAPE PET;CCFL 32"/40",3M1360NH(B),T0.05,	1	SNA
....5		BN02-00102B	TAPE FILAMENT;UE7000,#8917,0.15,25,50,WH	1	SNA
....5		BN02-00113A	TAPE ETC-FIXING WIRE;Y12 NNB2,PET,0.05T,	1	SNA
....5		BN60-00162A	SPACER-FOAM;FOAM,50000L,BLK,0.35T,20W	1	SNA

Level	Loc.	Part Code	Description & Specification	Qty.	SA/SNA
....5		BN61-08235A	HOLDER-LGP;SNB,M3*L4.9*SCALOCK,trap,4.9,	1	SNA
....5		BN61-08235B	HOLDER-LGP;Y13 F8K 65",SWRCH18A,6.25,4,B	1	SNA
....5		BN61-09449A	BRACKET-STOPPER NUT;Y13 SF-LED,M2.6*D4.5	6	SNA
....5		BN61-10263A	BRACKET-REAR SUPPORT BOTTOM;Y14 VDTV H80	2	SNA
....5		BN61-10550A	BRACKET-STAND-OFF;D5, H4,SUM24L,2.5,Blac	6	SNA
....5		BN61-10694A	SUPPORT-PCB;14Y U9K 55", 65",NYLON66,NTR	2	SNA
....5		BN61-10711A	HOLDER-RIVET;Y14 VDTV H8000 U9000 55 65,	12	SNA
....5		BN61-10712A	HOLDER-WALL RIVET;Y14 VDTV H8000 U9000,S	4	SNA
....5		BN62-00554A	INSULATION-PD BOARD;Y14 H8000 55",PP,0.4	1	SNA
....5		BN62-00571A	INSULATION-S-PCB-R;Y14 VDTV H8000 48,PET	1	SNA
....5		BN62-00572A	INSULATION-S-PCB-L;Y14 VDTV H800 48,PET,	1	SNA
....5	CC02	BN64-02575A	CHASSIS-BOTTOM;Y14 VDTV H8000 48,AL 3104	1	SNA
....5	FL06	BN96-29865A	ASSY CABLE P;48inch H8000_left,FFC, UL26	1	SNA
....5	FL06	BN96-29865B	ASSY CABLE P;48inch H8000_right,FFC, UL2	1	SNA
....5	M0131	MD63-00103A	GASKET;GRANDSLAM,Conductive Fabric,1,10,	8	SNA
...4		BN96-30958A	ASSY FRAME P-MOLD MIDDLE U;Y14 H8K 48",P	1	SNA
....5		BN60-00918Q	SPACER-PANEL U A;Y14 VDTV H8000 48",SILI	1	SNA
....5		BN60-00918R	SPACER-PANEL U B;Y14 VDTV H8000 48",SILI	1	SNA
....5		BN60-00918T	SPACER-PANEL U C L;Y14 VDTV H8000 48",SI	1	SNA
....5		BN60-01013A	SPACER-PANEL U C R;Y14 VDTV H8000C 48",S	1	SNA
....5		BN61-10281A	FRAME-MOLD MIDDLE U;Y14 VDTV H8000 48,PC	1	SNA
...4		BN96-30959A	ASSY FRAME P-MOLD MIDDLE D;Y14 H8K 48",P	1	SNA
....5		BN02-00050A	TAPE DOUBLE FACE;SNB 55",SK2100HE,0.05,2	1	SNA
....5		BN60-00918U	SPACER-PANEL D A;Y14 VDTV H8000 48",SI,3	1	SNA
....5		BN60-00918V	SPACER-PANEL D B;Y14 VDTV H8000 48",SI,3	1	SNA
....5		BN60-00918W	SPACER-PANEL D C L;Y14 VDTV H8000 48",SI	1	SNA
....5		BN60-00919E	SPACER-LGP UD;Y14 VDTV H8000C 48",PET*,5	2	SNA
....5		BN60-01014A	SPACER-PANEL D C R;Y14 VDTV H8000 48",SI	1	SNA
....5		BN61-10282A	FRAME-MOLD MIDDLE D;Y14 VDTV H8000 48,PC	1	SNA
...4		BN96-30960A	ASSY FRAME P-MOLD MIDDLE LR;Y14 H8K 48",	2	SNA
....5		BN60-00918S	SPACER-PANEL LR;Y14 VDTV H8000 48",SILIC	2	SNA
....5		BN60-00919F	SPACER-LGP LR;Y14 VDTV H8000 48",PET*,58	2	SNA
....5		BN61-10283A	FRAME-MOLD MIDDLE LR;Y14 VDTV H8000 48,P	2	SNA
...3	TCON	BN95-01329A	ASSY T CON;48F240Hz S-TV	1	SA
...4		BN02-00320A	TAPE THERMAL-SPREADER;Y14 VDTV,Al Foil,	1	SNA
...4		BN62-00573A	HEAT SINK-PS;F7000,A1050,BLACK,108*65.3*	1	SNA
...4		BN62-00574A	HEAT SINK-ES;F7000,A6063,ANODIZING,28*14	1	SNA
...4		BN97-07990A	ASSY SMD;BN95-01329A	1	SNA
....5		0202-001899	SOLDER-CREAM;M705-GRN360-K2-VT,25-36um,S	1	SNA
....5		0404-001643	DIODE-SCHOTTKY;B360A,60V,3000mA,SMA,TP	1	SA

Exploded Views and Parts List

Level	Loc.	Part Code	Description & Specification	Qty.	SA/SNA
....5		0406-001317	DIODE-TVS;SMAJ14A,15.6/-/17.2V,400W,SMA	3	SNA
....5		0406-001324	DIODE-TVS;RClamp1502B,16.7/-/V,200W,SOT	1	SNA
....5		0406-001445	DIODE-TVS;RClamp7512N,2.7/2.8/2.9,300W,S	2	SA
....5		0406-001483	DIODE-TVS;ESD5B5.0ST1G,5,8V/- /7.8V,50W,	2	SA
....5		0406-001643	DIODE-TVS;1SMA33AT3G,36.7/38.65/40.6V,40	1	SNA
....5		0502-001331	TR-POWER;NSS30100LT1G,PNP,310mW,SOT-23,T	2	SA
....5		0502-001345	TR-POWER;FCX491A,NPN,1000mW,SOT89,TR,900	1	SA
....5		0502-001346	TR-POWER;FCX591A,PNP,1000mW,SOT89,TR,30/	2	SA
....5		0505-003224	FET-SILICON;AO6405,P,-30V,-5A,0.052ohm,2	1	SA
....5	EL02	0601-002037	LED;SMD(TOP VIEW),BLUE,1.6x0.8mm,465/470	3	SA
....5		0801-003292	IC-CMOS LOGIC;7WB66,Bus Switch,MAB08A,8P	1	SA
....5		1105-002227	IC-DDR3 SDRAM;K4B1G1646G-BCK0,DDR3 SDRAM	2	SA
....5		1203-007552	IC-DC/DC CONVERTER;TPS56921PWPR,HTSSOP,2	1	SA
....5		1203-007955	IC-DC/DC CONVERTER;BM81222MWV,QFN,48P,6x	1	SNA
....5		1203-007958	IC-DC/DC CONVERTER;BD81223MUV,QFN,36P,6x	1	SNA
....5		1203-008046	IC-DC/DC CONVERTER;SY8632QEC,QFN,32P,5x5	1	SNA
....5		1204-003486	IC-VIDEO PROCESS;SDP1306,HSFCBGA,888P,27	1	SA
....5	IS01	1209-002183	IC-SENSOR;S-5851AAA-M6T1U,SOT,6Z30,2.9x1	1	SA
....5		1405-001381	VARISTOR;11V,8VDC,30A,1.6x0.8x0.9mm,TP,2	3	SA
....5		2007-000043	R-CHIP;1Kohm,1%,1/10W,TP,1608	2	SA
....5		2007-000052	R-CHIP;10Kohm,1%,1/10W,TP,1608	7	SA
....5		2007-000060	R-CHIP;100Kohm,1%,1/10W,TP,1608	1	SNA
....5		2007-000067	R-CHIP;15Kohm,1%,1/10W,TP,1608	2	SNA
....5		2007-000070	R-CHIP;0ohm,5%,1/10W,TP,1608	3	SA
....5		2007-000109	R-CHIP;1Mohm,5%,1/10W,TP,1608	1	SA
....5		2007-000138	R-CHIP;100ohm,5%,1/16W,TP,1005	1	SA
....5		2007-000140	R-CHIP;1Kohm,5%,1/16W,TP,1005	6	SNA
....5		2007-000143	R-CHIP;4.7Kohm,5%,1/16W,TP,1005	7	SNA
....5		2007-000148	R-CHIP;10Kohm,5%,1/16W,TP,1005	9	SA
....5		2007-000171	R-CHIP;0ohm,5%,1/16W,TP,1005	17	SNA
....5		2007-000287	R-CHIP;100ohm,1%,1/10W,TP,1608	1	SNA
....5		2007-000336	R-CHIP;120Kohm,1%,1/10W,TP,1608	3	SA
....5		2007-000343	R-CHIP;120ohm,1%,1/10W,TP,1608	3	SA
....5		2007-000455	R-CHIP;18Kohm,1%,1/10W,TP,1608	1	SA
....5		2007-000491	R-CHIP;2.2Kohm,1%,1/10W,TP,1608	1	SA
....5		2007-000516	R-CHIP;2.7Kohm,1%,1/10W,TP,1608	2	SNA
....5		2007-000536	R-CHIP;200ohm,1%,1/10W,TP,1608	1	SA
....5		2007-000614	R-CHIP;24Kohm,1%,1/10W,TP,1608	1	SNA
....5		2007-000651	R-CHIP;27Kohm,1%,1/10W,TP,1608	2	SA
....5		2007-000726	R-CHIP;300ohm,1%,1/10W,TP,1608	1	SA

Level	Loc.	Part Code	Description & Specification	Qty.	SA/SNA
....5		2007-000736	R-CHIP;30Kohm,1%,1/10W,TP,1608	1	SA
....5		2007-000772	R-CHIP;33Kohm,1%,1/10W,TP,1608	1	SA
....5		2007-000857	R-CHIP;4.3Kohm,1%,1/10W,TP,1608	2	SNA
....5		2007-000962	R-CHIP;5.1Kohm,1%,1/10W,TP,1608	3	SA
....5		2007-000999	R-CHIP;510ohm,1%,1/10W,TP,1608	1	SA
....5		2007-001038	R-CHIP;56Kohm,1%,1/10W,TP,1608	1	SA
....5		2007-001090	R-CHIP;620ohm,1%,1/10W,TP,1608	1	SA
....5		2007-001125	R-CHIP;68Kohm,1%,1/10W,TP,1608	1	SA
....5		2007-001175	R-CHIP;8.2Kohm,1%,1/10W,TP,1608	1	SA
....5		2007-001199	R-CHIP;820ohm,1%,1/10W,TP,1608	1	SA
....5		2007-001237	R-CHIP;910ohm,1%,1/10W,TP,1608	1	SA
....5		2007-001298	R-CHIP;51ohm,5%,1/16W,TP,1005	6	SNA
....5		2007-007107	R-CHIP;100Kohm,1%,1/16W,TP,1005	2	SNA
....5		2007-007136	R-CHIP;4.7Kohm,1%,1/16W,TP,1005	21	SNA
....5		2007-007142	R-CHIP;10Kohm,1%,1/16W,TP,1005	1	SNA
....5		2007-007239	R-CHIP;31.6Kohm,1%,1/10W,TP,1608	1	SNA
....5		2007-007306	R-CHIP;100ohm,1%,1/16W,TP,1005	22	SNA
....5		2007-007312	R-CHIP;20Kohm,1%,1/16W,TP,1005	1	SA
....5		2007-007313	R-CHIP;6.8Kohm,1%,1/16W,TP,1005	1	SA
....5		2007-007316	R-CHIP;3.3Kohm,1%,1/16W,TP,1005	2	SNA
....5		2007-007318	R-CHIP;1Kohm,1%,1/16W,TP,1005	8	SNA
....5		2007-007431	R-CHIP;91Kohm,1%,1/10W,TP,1608	1	SA
....5		2007-007455	R-CHIP;24.9Kohm,1%,1/10W,TP,1608	1	SA
....5		2007-007517	R-CHIP;240ohm,1%,1/16W,TP,1005	5	SNA
....5		2007-007651	R-CHIP;9.1Kohm,1%,1/10W,TP,1608	2	SA
....5		2007-007766	R-CHIP;2Kohm,1%,1/16W,TP,1005	3	SNA
....5		2007-007768	R-CHIP;13Kohm,1%,1/10W,TP,1608	1	SA
....5		2007-008294	R-CHIP;33ohm,1%,1/16W,TP,1005	1	SA
....5		2011-001264	R-NETWORK;10ohm,5%,1/16W,L,CHIP,8P,TP,2.	16	SNA
....5	AD480	2203-000254	C-CER,CHIP;10nF,10%,16V,X7R,TP,1005	1	SA
....5	AD480	2203-000311	C-CER,CHIP;0.12nF,5%,50V,C0G,TP,1005	1	SA
....5	AD480	2203-000332	C-CER,CHIP;0.012nF,5%,50V,C0G,TP,1608	2	SA
....5	AD480	2203-000359	C-CER,CHIP;0.15nF,5%,50V,C0G,TP,1005,0.5	1	SNA
....5	AD480	2203-000489	C-CER,CHIP;2.2nF,10%,50V,X7R,TP,1005	1	SA
....5	AD480	2203-000627	C-CER,CHIP;0.022nF,5%,50V,C0G,TP,1005	3	SNA
....5	AD480	2203-000714	C-CER,CHIP;3.3nF,10%,50V,X7R,TP,1005	2	SA
....5	AD480	2203-000715	C-CER,CHIP;3.3nF,10%,50V,X7R,TP,1608	1	SNA
....5	AD480	2203-000888	C-CER,CHIP;4.7nF,10%,50V,X7R,TP,1608	1	SA
....5	AD480	2203-000995	C-CER,CHIP;0.047nF,5%,50V,C0G,TP,1005	3	SA
....5	AD480	2203-001414	C-CER,CHIP;330nF,10%,50V,X7R,TP,2012	1	SNA

## Exploded Views and Parts List

Level	Loc.	Part Code	Description & Specification	Qty.	SA/SNA
....5	AD480	2203-001587	C-CER,CHIP;18nF,10%,50V,X7R,1608	1	SA
....5	AD480	2203-002050	C-CER,CHIP;47nF,10%,50V,X7R,TP,1608	3	SA
....5	AD480	2203-002398	C-CER,CHIP;22nF,10%,50V,X7R,TP,1608	1	SNA
....5	AD480	2203-002711	C-CER,CHIP;100nF,10%,25V,X7R,TP,1608	4	SA
....5	AD480	2203-002982	C-CER,CHIP;6.8nF,10%,50V,X7R,TP,1005	1	SA
....5	AD480	2203-005138	C-CER,CHIP;1.8nF,10%,50V,X7R,TP,1005	3	SA
....5	AD480	2203-005221	C-CER,CHIP;15nF,10%,50V,X7R,TP,1608	1	SNA
....5	AD480	2203-005249	C-CER,CHIP;100nF,10%,50V,X7R,TP,1608	3	SNA
....5	AD480	2203-005344	C-CER,CHIP;22nF,10%,25V,X7R,TP,1005,0.5T	5	SNA
....5	AD480	2203-005918	C-CER,CHIP;1000nF,10%,6.3V,X7R,TP,1608	6	SNA
....5	AD480	2203-006048	C-CER,CHIP;100nF,10%,10V,X7R,TP,1005	8	SA
....5	AD480	2203-006088	C-CER,CHIP;330nF,10%,10V,X7R,TP,1608	1	SA
....5	AD480	2203-006158	C-CER,CHIP;100nF,10%,16V,X7R,TP,1005,0.5	75	SNA
....5	AD480	2203-006320	C-CER,CHIP;2200nF,10%,16V,X7R,TP,2012	1	SNA
....5	AD480	2203-006324	C-CER,CHIP;2200nF,10%,10V,X5R,TP,1608	1	SA
....5	AD480	2203-006348	C-CER,CHIP;1000nF,10%,25V,X5R,TP,1608,0.	1	SA
....5	AD480	2203-006474	C-CER,CHIP;22000nF,20%,6.3V,X5R,TP,2012	12	SA
....5	AD480	2203-006562	C-CER,CHIP;1000nF,10%,10V,X5R,TP,1005	5	SNA
....5	AD480	2203-006698	C-CER,CHIP;1000nF,10%,25V,X7R,TP,1608,0.	3	SNA
....5	AD480	2203-006890	C-CER,CHIP;10000nF,20%,6.3V,X5R,TP,1608	4	SNA
....5	AD480	2203-007176	C-CER,CHIP;10000nF,10%,16V,X5R,TP,2012,1	16	SNA
....5	AD480	2203-007193	C-CER,CHIP;10000nF,10%,6.3V,X7R,TP,2012	5	SA
....5	AD480	2203-007240	C-CER,CHIP;22000nF,20%,6.3V,X5R,TP,1608,	3	SA
....5	AD480	2203-007270	C-CER,CHIP;10000nF,10%,10V,X5R,TP,1608,0	18	SNA
....5	AD480	2203-007306	C-CER,CHIP;10000nF,10%,25V,X5R,TP,2012,1	26	SNA
....5	AD480	2203-007486	C-CER,CHIP;1000nF,10%,50V,X5R,TP,1608	2	SNA
....5	AD480	2203-007544	C-CER,CHIP;100nF,10%,50V,X7R,TP,1005	2	SA
....5		2409-001118	C-POLYMER ,CHIP;47uF,20%,10V,WT,TP,3.5X2	1	SA
....5		2703-003747	INDUCTOR-SMD;22uH,20%,6060,0.135ohm,1300	1	SA
....5		2703-003862	INDUCTOR-SMD;10uH,20%,6060,0.065ohm,1900	1	SA
....5		2703-003913	INDUCTOR-SMD;2.2uH,20%,2520,1.2T,0.116Oh	1	SNA
....5		2703-003937	INDUCTOR-SMD;1uH,20%,7.0x6.47x3.0mm,0.00	1	SA
....5		2703-004199	INDUCTOR-SMD;10uH,20%,7066,2.2mm,0.101Oh	1	SNA
....5		2703-004847	INDUCTOR-SMD;4.7uH,20%,3838,1.8T,0.075Oh	3	SA
....5		2801-005324	CRYSTAL-SMD;27MHz,30ppm,Ceramic SMD(4pin	1	SA
....5		2901-001362	FILTER-EMI/ESD;5.5V,0A,50pF,2.05x1.25x0.	4	SNA
....5		3301-002039	BEAD-SMD;26ohm,1608,TP	29	SA
....5		3601-001386	FUSE-SURFACE MOUNT;125V,5A,FAST-ACTING,C	1	SA
....5		3708-003043	CONNECTOR-FPC/FFC/PIC;80P,0.5mm,SMD-A+DI	2	SA
....5		3708-003073	CONNECTOR-FPC/FFC/PIC;51P,0.5mm,SMD,AU,N	1	SA



Level	Loc.	Part Code	Description & Specification	Qty.	SA/SNA
...5	EH01	3711-005601	HEADER-BOARD TO CABLE;BOX,8P,1R,2mm,SMD-	1	SA
...5	EH01	3711-007838	HEADER-BOARD TO CABLE;BOX,6P,1R,1.25mm,S	1	SA
...5		6302-001290	GASKET;SMR-TS-4-4.5-3,4.0mm,Ni+Au+SUS+Mg	3	SNA
...5		BN41-02112A	PCB-T CON;2014 FHD 240Hz USI-T,FR-4,4,1.	1	SNA
...5		BN97-08166A	ASSY MICOM;2014.02.28,H48A2F804_5022_140	1	SNA
...6		1107-002224	IC-FLASH MEMORY;W25X40CLSSIG,4Mbit,SOP,8	1	SNA
..3		BN96-30710A	ASSY OPEN CELL;LSF480HQ01-G,8bit,48 INCH	1	SNA
..3	FL06	BN96-30783D	ASSY CABLE P-FFC;H8000,FFC,NH,67mm 1,80	2	SNA
..3		BN96-30950A	ASSY COVER P-SOURCE L;Y14 H8K 48,EGI-SEC	1	SNA
..4		BN62-00570A	INSULATION-S-COVER-L;Y14 VDTV H8000 48,P	1	SNA
..4		BN63-11872A	SHIELD-SOURCE COVER;Y14 VDTV H8000 48,EG	1	SNA
..3		BN96-30951A	ASSY COVER P-SOURCE R;Y14 H8K 48",EGI-SE	1	SNA
..4		BN60-00162A	SPACER-FOAM;FOAM,50000L,BLK,0.35T,20W	0	SNA
..4		BN60-00554A	SPACER-SOURCE;SNB 40/46/55,Silicone-Rubb	4	SNA
..4		BN61-02932N	BRACKET-STOPPER NUT;LED TV,M3,D7,L6.6,BR	2	SNA
..4		BN62-00569A	INSULATION-S-COVER-R;Y14 VDTV H8000 48,P	1	SNA
..4		BN63-11880A	SHIELD-SOURCE COVER R;Y14 VDTV H8000 48,	1	SNA
..3	TC01A	BN96-30954A	ASSY CHASSIS TOP P;Y14 H8K 48",SPCC	1	SNA
..4		BN02-00304A	TAPE ETC-CONNER;H8000 55" / 65",PET,0.1,	4	SNA
..4		BN60-00920M	SPACER-TOP;H8000 55,PUR FOAM,ROLL TYPE,B	3	SNA
..4	AS080	BN63-10029A	SHEET-COVER;UE9500 75",urethane,T0.052,W	4	SNA
..4	AC157	BN64-02572A	CHASSIS-TOP;Y14 VD 7K 48 INCH,SPCC,T0.6,	1	SNA
..4		BN64-02643A	BADGE-BRAND;U8000,U9000,Ni,0.05,28,SILVE	1	SNA
1	M0017	BN91-12908S	ASSY CHASSIS;UH9V	1	SNA
..2	M0014	BN94-07616S	ASSY PCB MAIN;UH9V	1	SA
..3	CB01	BN61-10274B	BRACKET-AV;H8000 55",PCM,T0.4,EO	1	SNA
..3	HDP01	BN61-10758A	HOLDER-PCB;H8000,NYLON66,BLK,V0	2	SNA
..3	AH020	BN62-00601A	HEAT SINK;UN55H8000AF,A1050,BLACK,SJT-MO	1	SNA
..3		BN97-08312V	ASSY SMD;BN94-*	1	SNA
..4		0202-001899	SOLDER-CREAM;M705-GRN360-K2-VT,25-36um,S	5	SNA
..4	DS01A	0401-001056	DIODE-SWITCHING;MMBD4148SE,100V,200mA,SO	2	SA
..4	DS01A	0401-001283	DIODE-SWITCHING;BAV70S_SG,100V,250mA,SOT	2	SA
..4	DR01A	0402-001614	DIODE-RECTIFIER;S1G,400V,1A,DO-214AC,TP	2	SA
..4		0403-001785	DIODE-ZENER;NZH5V1B,4.94/5.2V,500mW,SOD-	1	SA
..4		0404-001404	DIODE-SCHOTTKY;BAT721C,40V,200mA,SOT-23,	3	SA
..4		0404-001881	DIODE-SCHOTTKY;SS3040-HE,40V,3000mA,SOD-	4	SA
..4		0406-001200	DIODE-TVS;RCLAMP0504F,6/-/V,150W,SC-70	2	SA
..4		0406-001290	DIODE-TVS;3.0SMCJ20A,22.2/-/24.5V,3000W,	2	SNA
..4		0406-001573	DIODE-TVS;AOZ8806DI-05,6	1	SA
..4		0406-001635	DIODE-TVS;SMF5.0A,6.4V, 6.7V, 7V,200W,SM	5	SA

Exploded Views and Parts List

Level	Loc.	Part Code	Description & Specification	Qty.	SA/SNA
...4		0501-000279	TR-SMALL SIGNAL;KSA1182-Y,PNP,150mW,SOT-	3	SA
...4		0501-000445	TR-SMALL SIGNAL;KTC3875S-Y,NPN,150mW,SOT	5	SC
...4		0504-000126	TR-DIGITAL;KSR1101,NPN,200mW,4.7K/4.7Koh	2	SA
...4		0505-002598	FET-SILICON;AP2317GN,P,-20V,-4.2A,0.052o	1	SA
...4		0505-002893	FET-SILICON;AO4801AS,P,-30V,-5A,2W,SOIC-	1	SA
...4		0505-003224	FET-SILICON;AO6405,P,-30V,-5A,0.052ohm,2	2	SA
...4		0505-003397	FET-SILICON;2N7002K,N,60V,380mA,1.19ohm,	1	SA
...4		0801-003330	IC-CMOS LOGIC;Octal buffer,DQFN,20P,4.5x	1	SA
...4		0904-002859	IC-USC;GL852G-32,QFN,28P,5x5mm,12MHz,TP,	1	SA
...4		1001-001545	IC-ANALOG MULTIPLEX;TS3USB221ERSER,R-PQF	3	SA
...4		1001-001686	IC-ANALOG MULTIPLEX;74LV4052,CMOS,TTSOP,	1	SA
...4		1001-001823	IC-VIDEO SWITCH;SiI9687ACNUTR,QFN,76P,9X	1	SA
...4		1001-001860	IC-ANALOG SWITCH;NX5L2750CGU,QFN,10P,1.4	2	SNA
...4		1006-001576	IC-DRIVER/RECEIVER;MAX3221ECPWR,TSSOP,16	1	SA
...4		1103-001564	IC-EEPROM;S-24C512CI-J800,512Kbit,64Kx8,	1	SA
...4		1105-002274	IC-DDR3 SDRAM;K4B1G1646G-BCMA,DDR3 1866,	2	SNA
...4		1105-002527	IC-DDR3 SDRAM;K4B2G1646Q-BCK0,DDR3,2Gbit	2	SA
...4		1105-002529	IC-DDR3 SDRAM;K4B4G1646D-BCK0,DDR3 1600,	2	SA
...4		1201-003690	IC-AUDIO AMP;TAS5747PHPR,QFP,48P,DUAL,PL	2	SA
...4		1203-006109	IC-POSI.FIXED REG.;S-1206B33-M3T1G,SOT-2	1	SA
...4		1203-006130	IC-POSI.FIXED REG.;S-1172B25-U5T1G,SOT-8	1	SA
...4		1203-007695	IC-DC/DC CONVERTER;AOZ3018,SO-8,8Z30,4.9	2	SNA
...4		1203-007697	IC-DC/DC CONVERTER;LNBH26SPQR,QFN,24Z30,	1	SNA
...4		1203-007728	IC-VOL. DETECTOR;RT9831GQW,QW : WQFN-20L	1	SA
...4		1203-007984	IC-DC/DC CONVERTER;AOZ3015PI,SO-8,8P,6.2	1	SA
...4		1203-007986	IC-DC/DC CONVERTER;TPS56720PWPR,HTSSOP,2	2	SA
...4		1203-007987	IC-DC/DC CONVERTER;TPS56520PWPR,HTSSOP,2	1	SA
...4		1203-008104	IC-POSI.FIXED REG.;S-13A1D18-E8001,HSOP,	2	SNA
...4		1203-008105	IC-POSI.FIXED REG.;S-13A1D33-E8001,HSOP,	1	SNA
...4		1203-008107	IC-POSI.ADJUST REG.;LR18120HG-12-SH2-R,H	1	SA
...4		1203-008118	IC-DC/DC CONVERTER;AOZ3013PI,SO-8,8P,4.9	2	SNA
...4		1203-008183	IC-DC/DC CONVERTER;AOZ3015PI-1,EPAD SO-8	1	SA
...4		1204-003481	IC-DECODER;SDP1304,FCPBGAH,715P,27x27mm,	1	SA
...4		1204-003482	IC-VIDEO PROCESS;SDP1305,FCPBGAH,714P,27	1	SA
...4	IC	1205-004385	IC-ETHERNET CONTROLLER;RTL8201F-VB-CGT,Q	1	SA
...4		1205-004447	IC-SWITCH;TPS2051CDBVR,SOT23-5,5P,3x1.65	1	SA
...4		1205-004704	IC-SWITCH;AP2151W-7,SOT25,5Z30,3.1*3.0mm	1	SA
...4		1205-004822	IC-SWITCH;TPS22965DSGR,SON,8P,2x2x0.75mm	1	SNA
...4		1205-004960	IC-TRANSCEIVER;TUSB501DRFR,QFN,8P,2x2mm,	2	SA
...4		1205-005011	IC-SWITCH;BD82012FVJ-GE2,TSSOP-B8J,8P,3.	3	SA

Level	Loc.	Part Code	Description & Specification	Qty.	SA/SNA
...4		1405-001271	VARISTOR;35V,20Vdc,5A,1.0x0.5x0.6mm,TP,1	6	SA
...4		2007-000097	R-CHIP;47Kohm,5%,1/10W,TP,1608	4	SA
...4		2007-000143	R-CHIP;4.7Kohm,5%,1/16W,TP,1005	57	SNA
...4		2007-000148	R-CHIP;10Kohm,5%,1/16W,TP,1005	2	SA
...4		2007-000149	R-CHIP;12Kohm,5%,1/16W,TP,1005	1	SA
...4		2007-000170	R-CHIP;1Mohm,5%,1/16W,TP,1005	3	SNA
...4		2007-000171	R-CHIP;0ohm,5%,1/16W,TP,1005	25	SNA
...4		2007-000172	R-CHIP;10ohm,5%,1/16W,TP,1005	7	SNA
...4		2007-000173	R-CHIP;22ohm,5%,1/16W,TP,1005	22	SNA
...4		2007-000336	R-CHIP;120Kohm,1%,1/10W,TP,1608	1	SA
...4		2007-000583	R-CHIP;22Kohm,1%,1/10W,TP,1608	7	SA
...4		2007-000614	R-CHIP;24Kohm,1%,1/10W,TP,1608	1	SNA
...4		2007-000772	R-CHIP;33Kohm,1%,1/10W,TP,1608	1	SA
...4		2007-000857	R-CHIP;4.3Kohm,1%,1/10W,TP,1608	2	SNA
...4		2007-000932	R-CHIP;470ohm,5%,1/16W,TP,1005	5	SNA
...4		2007-001116	R-CHIP;680ohm,1%,1/10W,TP,1608	2	SA
...4		2007-001168	R-CHIP;75ohm,5%,1/4W,TP,3216	2	SA
...4		2007-001288	R-CHIP;18ohm,5%,1/16W,TP,1005	8	SA
...4		2007-001308	R-CHIP;200ohm,5%,1/16W,TP,1005	1	SNA
...4		2007-001335	R-CHIP;36Kohm,5%,1/16W,TP,1005	3	SA
...4		2007-003015	R-CHIP;2.2ohm,5%,1/16W,TP,1005	8	SNA
...4		2007-007095	R-CHIP;390ohm,5%,1/16W,TP,1005	1	SA
...4		2007-007107	R-CHIP;100Kohm,1%,1/16W,TP,1005	17	SNA
...4		2007-007133	R-CHIP;300ohm,1%,1/16W,TP,1005	2	SA
...4		2007-007135	R-CHIP;18Kohm,1%,1/16W,TP,1005	6	SNA
...4		2007-007136	R-CHIP;4.7Kohm,1%,1/16W,TP,1005	4	SNA
...4		2007-007137	R-CHIP;1.2Kohm,1%,1/16W,TP,1005	2	SA
...4		2007-007138	R-CHIP;27Kohm,1%,1/16W,TP,1005	4	SNA
...4		2007-007139	R-CHIP;47Kohm,1%,1/16W,TP,1005	14	SA
...4		2007-007142	R-CHIP;10Kohm,1%,1/16W,TP,1005	29	SNA
...4		2007-007306	R-CHIP;100ohm,1%,1/16W,TP,1005	21	SNA
...4		2007-007311	R-CHIP;22Kohm,1%,1/16W,TP,1005	6	SA
...4		2007-007313	R-CHIP;6.8Kohm,1%,1/16W,TP,1005	3	SA
...4		2007-007315	R-CHIP;3.9Kohm,1%,1/16W,TP,1005	2	SNA
...4		2007-007318	R-CHIP;1Kohm,1%,1/16W,TP,1005	26	SNA
...4		2007-007470	R-CHIP;7.5Kohm,1%,1/16W,TP,1005	1	SNA
...4		2007-007517	R-CHIP;240ohm,1%,1/16W,TP,1005	9	SNA
...4		2007-007587	R-CHIP;3.6Kohm,1%,1/16W,TP,1005	1	SNA
...4		2007-007617	R-CHIP;2.49Kohm,1%,1/10W,TP,1608	1	SA
...4		2007-007671	R-CHIP;11Kohm,1%,1/16W,TP,1005	1	SA

Exploded Views and Parts List

Level	Loc.	Part Code	Description & Specification	Qty.	SA/SNA
...4		2007-007698	R-CHIP;5.1Kohm,1%,1/16W,TP,1005	5	SNA
...4		2007-007720	R-CHIP;300Kohm,1%,1/10W,TP,1608	1	SA
...4		2007-007733	R-CHIP;51ohm,1%,1/10W,TP,1608	6	SA
...4		2007-007766	R-CHIP;2Kohm,1%,1/16W,TP,1005	25	SNA
...4		2007-007767	R-CHIP;200ohm,1%,1/16W,TP,1005	4	SA
...4		2007-007981	R-CHIP;180Kohm,1%,1/16W,TP,1005	1	SNA
...4		2007-008015	R-CHIP;75ohm,1%,1/16W,TP,1005	14	SNA
...4		2007-008117	R-CHIP;2.7Kohm,1%,1/16W,TP,1005	1	SA
...4		2007-008133	R-CHIP;56.2Kohm,1%,1/10W,TP,1608	2	SA
...4		2007-008213	R-CHIP;4.3Kohm,1%,1/16W,TP,1005	2	SNA
...4		2007-008275	R-CHIP;30Kohm,1%,1/16W,TP,1005	2	SNA
...4		2007-008294	R-CHIP;33ohm,1%,1/16W,TP,1005	8	SA
...4		2007-008332	R-CHIP;11.5Kohm,1%,1/16W,TP,1005	3	SA
...4		2007-008391	R-CHIP;6.34Kohm,1%,1/16W,TP,1005	1	SA
...4		2007-008426	R-CHIP;12.4Kohm,1%,1/10W,TP,1608	1	SA
...4		2007-008779	R-CHIP;0ohm,1%,1/16W,TP,1005	2	SA
...4		2007-009177	R-CHIP;61.9Kohm,1%,1/16W,TP,1005	2	SNA
...4		2007-009853	R-CHIP;1.6Kohm,1%,1/16W,TP,1005	1	SNA
...4		2011-001261	R-NETWORK;33ohm,5%,1/16W,L,CHIP,8P,TP,2.	6	SA
...4		2011-001344	R-NETWORK;100ohm,5%,1/16W,L,CHIP,8P,TP,2	4	SA
...4		2011-001402	R-NETWORK;56ohm,5%,1/16W,L,CHIP,8P,TP,2.	4	SA
...4		2011-001449	R-NETWORK;22ohm,5%,1/16W,L,4P,TP,1010	7	SA
...4		2011-001497	R-NETWORK;470ohm,5%,1/16W,L,CHIP,4P,TP,1	4	SNA
...4		2011-001506	R-NETWORK;10Kohm,5%,1/16W,L,CHIP,4P,TP,1	6	SNA
...4		2011-001527	R-NETWORK;4.7Kohm,5%,1/16W,L,CHIP,4P,TP,	4	SNA
...4		2011-001585	R-NETWORK;47ohm,5%,1/16W,L,CHIP-V,4P,TP,	1	SNA
...4		2011-001587	R-NETWORK;100ohm,5%,1/16W,L,CHIP-V,4P,TP	3	SNA
...4		2011-001590	R-NETWORK;47Kohm,5%,1/16W,L,CHIP-V,4P,TP	1	SNA
...4	AD480	2203-000233	C-CER,CHIP;0.1nF,5%,50V,C0G,TP,1005	10	SA
...4	AD480	2203-000278	C-CER,CHIP;0.01nF,0.5pF,50V,C0G,TP,1005	7	SA
...4	AD480	2203-000330	C-CER,CHIP;0.012nF,5%,50V,C0G,TP,1005	4	SA
...4	AD480	2203-000359	C-CER,CHIP;0.15nF,5%,50V,C0G,TP,1005,0.5	3	SNA
...4	AD480	2203-000386	C-CER,CHIP;0.015nF,5%,50V,C0G,TP,1005	4	SA
...4	AD480	2203-000425	C-CER,CHIP;0.018nF,5%,50V,C0G,TP,1005	2	SA
...4	AD480	2203-000438	C-CER,CHIP;1nF,10%,50V,X7R,TP,1005	10	SA
...4	AD480	2203-000489	C-CER,CHIP;2.2nF,10%,50V,X7R,TP,1005	9	SA
...4	AD480	2203-000530	C-CER,CHIP;2.7nF,10%,50V,X7R,TP,1005,-	1	SNA
...4	AD480	2203-000585	C-CER,CHIP;0.22nF,10%,50V,X7R,TP,1005	2	SA
...4	AD480	2203-000679	C-CER,CHIP;0.027nF,5%,50V,C0G,TP,1005	2	SA
...4	AD480	2203-000714	C-CER,CHIP;3.3nF,10%,50V,X7R,TP,1005	1	SA

Level	Loc.	Part Code	Description & Specification	Qty.	SA/SNA
...4	AD480	2203-000812	C-CER,CHIP;0.033nF,5%,50V,C0G,TP,1005	8	SA
...4	AD480	2203-000995	C-CER,CHIP;0.047nF,5%,50V,C0G,TP,1005	1	SA
...4	AD480	2203-001634	C-CER,CHIP;33nF,10%,50V,X7R,TP,1608	2	SNA
...4	AD480	2203-002285	C-CER,CHIP;10nF,10%,50V,X7R,TP,1005	22	SNA
...4	AD480	2203-002443	C-CER,CHIP;0.33nF,10%,50V,X7R,TP,1005	2	SA
...4	AD480	2203-005083	C-CER,CHIP;220nF,10%,50V,X7R,TP,1608,0.8	4	SA
...4	AD480	2203-005138	C-CER,CHIP;1.8nF,10%,50V,X7R,TP,1005	7	SA
...4	AD480	2203-005221	C-CER,CHIP;15nF,10%,50V,X7R,TP,1608	3	SNA
...4	AD480	2203-005249	C-CER,CHIP;100nF,10%,50V,X7R,TP,1608	8	SNA
...4	AD480	2203-005344	C-CER,CHIP;22nF,10%,25V,X7R,TP,1005,0.5T	5	SNA
...4	AD480	2203-005968	C-CER,CHIP;4.7nF,10%,50V,X7R,TP,1005,0.5	4	SNA
...4	AD480	2203-006048	C-CER,CHIP;100nF,10%,10V,X7R,TP,1005	175	SA
...4	AD480	2203-006088	C-CER,CHIP;330nF,10%,10V,X7R,TP,1608	1	SA
...4	AD480	2203-006126	C-CER,CHIP;47nF,10%,16V,X7R,TP,1005	8	SNA
...4	AD480	2203-006158	C-CER,CHIP;100nF,10%,16V,X7R,TP,1005,0.5	204	SNA
...4	AD480	2203-006324	C-CER,CHIP;2200nF,10%,10V,X5R,TP,1608	2	SA
...4	AD480	2203-006348	C-CER,CHIP;1000nF,10%,25V,X5R,TP,1608,0.	4	SA
...4	AD480	2203-006399	C-CER,CHIP;1000nF,10%,6.3V,X5R,TP,1005	1	SA
...4	AD480	2203-006427	C-CER,CHIP;4700nF,10%,16V,X5R,TP,2012	2	SA
...4	AD480	2203-006562	C-CER,CHIP;1000nF,10%,10V,X5R,TP,1005	48	SNA
...4	AD480	2203-006636	C-CER,CHIP;220nF,10%,25V,X7R,TP,1608	12	SA
...4	AD480	2203-006824	C-CER,CHIP;4700nF,10%,10V,X5R,TP,1608	13	SNA
...4	AD480	2203-006842	C-CER,CHIP;0.47nF,5%,50V,C0G,TP,1005	1	SNA
...4	AD480	2203-006890	C-CER,CHIP;10000nF,20%,6.3V,X5R,TP,1608	83	SNA
...4	AD480	2203-007176	C-CER,CHIP;10000nF,10%,16V,X5R,TP,2012,1	10	SNA
...4	AD480	2203-007240	C-CER,CHIP;22000nF,20%,6.3V,X5R,TP,1608,	41	SA
...4	AD480	2203-007269	C-CER,CHIP;22000nF,20%,10V,X5R,TP,2012,0	15	SNA
...4	AD480	2203-007270	C-CER,CHIP;10000nF,10%,10V,X5R,TP,1608,0	47	SNA
...4	AD480	2203-007306	C-CER,CHIP;10000nF,10%,25V,X5R,TP,2012,1	2	SNA
...4	AD480	2203-007401	C-CER,CHIP;10000nF,10%,50V,X5R,TP,3225	4	SA
...4	AD480	2203-007513	C-CER,CHIP;10000nF,10%,10V,X5R,TP,1608,0	3	SA
...4	AD480	2203-007544	C-CER,CHIP;100nF,10%,50V,X7R,TP,1005	21	SA
...4	AD480	2203-008096	C-CER,CHIP;2200nF,10%,50V,X5R,TP,2012,1.	2	SA
...4		2409-001213	C-ORGANIC,SMD;150uF,20%,6.3V,-,TP,3.5x2.	2	SNA
...4		2409-001337	C-POLYMER ,CHIP;47uF,20%,10V,TP,3.2*1.6*	4	SNA
...4		2409-001338	C-POLYMER ,CHIP;47uF,20%,6.3V,TP,3.2x1.6	1	SA
...4		2503-001051	C-NETWORK;100nFx4,20%,16V,2012	1	SA
...4		2703-000158	INDUCTOR-SMD;1uH,10%,2012,.40hm,50mA,45,	3	SA
...4		2703-000213	INDUCTOR-SMD;470nH,10%,1608,1.350hm,35mA	1	SA
...4		2703-000408	INDUCTOR-SMD;3.3uH,20%,3225,.28ohm,500mA	2	SA

Exploded Views and Parts List

Level	Loc.	Part Code	Description & Specification	Qty.	SA/SNA
...4		2703-001938	INDUCTOR-SMD;56nH,5%,1005,1.5Ohm,200mA,1	3	SA
...4		2703-003135	INDUCTOR-SMD;4.7uH,20%,6965,0.04Ohm,7000	3	SNA
...4		2703-003713	INDUCTOR-SMD;1.5uH,20%,7366,0.015ohm,700	2	SA
...4		2703-003937	INDUCTOR-SMD;1uH,20%,7.0x6.47x3.0mm,0.00	3	SA
...4		2703-004724	INDUCTOR-SMD;8.2uH,20%,5050,4mm,0.072Ohm	8	SA
...4		2703-004851	INDUCTOR-SMD;0.47uH,20%,7165,3.0T,0.0070	1	SNA
...4		2703-004868	INDUCTOR-SMD;6.8uH,20%,5050,4.0T,0.043Oh	2	SA
...4		2801-003856	CRYSTAL-SMD;0.032768MHz,20ppm,28-ACP,7pF	1	SNA
...4		2801-003948	CRYSTAL-SMD;12MHz,30ppm,28-AAN,12pF,60oh	1	SA
...4		2801-004477	CRYSTAL-SMD;24.576MHz,20ppm,SMD,18pF,20o	1	SA
...4		2801-004734	CRYSTAL-SMD;25.000000MHz,20ppm,28-AAN,12	1	SA
...4		2801-004774	CRYSTAL-SMD;24MHz,30ppm,14pF,30ohm,TP	2	SA
...4		2806-001468	OSCILLATOR-VCXO;27MHz,30ppm,30pF,TP,3.3V	1	SA
...4		3301-000314	BEAD-SMD;120ohm,1608,TP,120ohm/100MHz	5	SNA
...4		3301-001364	BEAD-SMD;1000ohm,1608,150mA,TP,1085ohm/1	2	SNA
...4		3301-001727	BEAD-SMD;120ohm,1005,TP,100MHz,-	1	SA
...4		3301-002039	BEAD-SMD;26ohm,1608,TP	63	SA
...4		3601-001374	FUSE-SURFACE MOUNT;32V,5A,FAST-ACTING,PL	3	SA
...4		3701-001861	CONNECTOR-HDMI;19P,2ROW,FEMALE,SMD-A,AU	4	SA
...4		3707-001104	CONNECTOR-OPTICAL;SMD-A(Ultra Slim),SPDI	1	SA
...4		3708-003073	CONNECTOR-FPC/FFC/PIC;51P,0.5mm,SMD,AU,N	1	SA
...4		3710-002276	SOCKET-INTERFACE;24P,1R,0.5mm,SMD-A,AU,B	1	SC
...4		3710-003902	CONNECTOR-SOCKET;92P,2R,0.5mm,ANGLE,AU/N	1	SA
...4		3710-003908	CONNECTOR-SOCKET;64P,2R,0.5mm,SMD-S,AU,B	1	SA
...4	EH01	3711-007582	HEADER-BOARD TO CABLE;BOX,8P,1R,2.0mm,AN	1	SA
...4		3711-007975	CONNECTOR-HEADER;BOX,10P,1R,1.25mm,SMD-A	1	SA
...4	EH01	3711-008558	HEADER-BOARD TO CABLE;BOX,26P,2R,1.25mm,	1	SA
...4	EH01	3711-008659	HEADER-BOARD TO CABLE;BOX,16P,2R,2mm,ANG	1	SA
...4		3722-003151	JACK-PIN;5P(ULTRA SLIM),NI,BLK,ANGLE(SSR	1	SA
...4		3722-003199	JACK-MODULAR;8P/8C,ANGLE,AU,1P	1	SA
...4		3722-003457	JACK-USB;4P/1C,NI,BLK,A	2	SA
...4		3722-003657	JACK-PHONE;1P/7C,P-BRONZE,BLK,ANGLE	1	SA
...4		3722-003813	JACK-PHONE;1P/7C,NI+SN,BLK,ANGLE,3.6PI,1	1	SA
...4		3722-003837	JACK-USB;9P/1C,AU/SN/NI,BLU,SMD-A,A,3.0,	1	SA
...4		3722-003873	JACK-PHONE;1P/7C,AU/SN,BLU,ANGLE,3.5PI,1	1	SA
...4		6302-001236	GASKET;Conductive Fabric,6.0mm,GRAY,IDS	2	SNA
...4	ET01	BN40-00277A	TUNER;DNST243IH296A,DNST243IH296A,DVB TC	1	SA
...4		BN41-02189A	PCB MAIN;H8000 1CI,FR-4,4,A,1.2T,192*253	1	SNA
...4		BN97-08404A	ASSY MICOM-MAIN;T-GFPDEUC-XXXX,U8FB,KLM4	1	SNA
....5		1107-002287	IC-EMMC;KLM4G1FEAC-C031,4GByte,BGA,153P,	1	SA

Level	Loc.	Part Code	Description & Specification	Qty.	SA/SNA
...4		BN97-08405A	ASSY MICOM-SUB;SUBMICOM_EU,U8FB,WT61P807	1	SNA
....5		0903-001863	IC-MICROCONTROLLER;WT61P807-RG48,LQFP,48	1	SA
...4		BN97-08451A	ASSY MICOM-IRB;GOLF-P,U8FB,MAXQ636V,IC24	1	SNA
....5		BN13-00067A	PLD;MAXQ636V-2584+T,WLP,9	1	SNA
..3		BN97-08406A	ASSY DRM-KEY CODE-ASS'Y;CI+KEY,MAC,MIRAC	1	SNA
...4		BN46-00109H	KEY CODE-CERTIFI;MAC,TV/AV,General	1	SNA
...4		BN46-00110N	KEY CODE-CERTIFI;MIRACAST,TV,X12 /X13	1	SNA
...4		BN46-00115L	KEY CODE-CERTIFI;CI+,TV,GOLF, EU	1	SNA
1		BN91-13002G	ASSY SHIELD;UH9V	1	SNA
.2	SCREW	6001-003081	SCREW-MACHINE;PWH+,M3,L5,ZPC(WHT),SWRCH	11	SA
.2		BN02-00102B	TAPE FILAMENT;UE7000,#8917,0.15,25,50,WH	1	SNA
.2	EC13	BN39-01890P	LEAD CONNECTOR;UN48H8000,Flat Connector,	1	SA
.2	M-F	BN39-01894C	LEAD CONNECTOR-FUNCTION;UN48H8000,Lead C	1	SA
.2		BN39-01895C	LEAD CONNECTOR-BT,WIFI;UN48H8000,Lead Co	1	SA
.2	P001A	BN44-00727A	DC VSS-LED TV PD BD;L55C2Q_EDY,L55C2Q_ED	1	SA
.2	WIFI	BN59-01174A	NETWORK-WIFI MODULE;WIDT-30Q,Internal Wi	1	SA
.2	BT	BN96-30218A	ASSY BOARD P-RF-MODULE;Bluetooth Module,	1	SA
.2	SP01A	BN96-31480A	ASSY SPEAKER P;6ohm,10W,Enclosure_H8000C	1	SA
.2	FB01A	BN96-31812B	ASSY BOARD P-FUNCTION;UH8000,FR-4,Basic	1	SA
.2	FL06	BN96-32005Y	ASSY CABLE P-FFC;UN48H8000,FFC,NH,450mm,	1	SA
1	ACCE1	BN92-14378E	ASSY ACCESSORY;UH8T	1	SNA
.2		BN68-05417A	LABEL-02,ENERGY;ALL,EDC,Polypropylene,T0	1	SNA
.2		BN96-31814H	ASSY ACCESSORY MANUAL/CABLE;UH8T	1	SNA
..3		6902-001964	BAG PE;LDPE,BIOBASED,T0.03,W200,L300,TRP	1	SNA
..3		BN68-00514K	MANUAL FLYER-05,WARRANTY CARD;comm,Samsu	1	SNA
..3		BN68-04972A	MANUAL FLYER-05,REGULATORY GUI;ALL,SAMSU	1	SNA
..3		BN68-05841A	MANUAL USERS-01;UH8000,SAMSUNG,ENG/FRA/S	1	SNA
..3		BN68-05864A	LEAFLET-04,3D GLASSES GUIDE;SSG-5100GB,S	1	SNA
..3		BN68-05944K	LEAFLET-08,FICHE;UH8000,W/P,B5	1	SNA
.2		BN96-32825A	ASSY ACCESSORY MANUAL/CABLE;UH8U	1	SNA
..3		3709-001791	CONNECTOR-CARD SLOT;64P,0.5mm,SMD-A,AU,P	1	SA
..3	T0268	3903-000525	CBF-POWER CORD;DT,CEE,LP-21L,250V,2.5A,B	1	SA
..3		4301-000101	BATTERY-ALKALINE;1.5V,1650mAH,LR6,14.5x5	2	SNA
..3		4301-000103	BATTERY-ALKALINE;1.5V,750mAH,LR03,10.2x4	2	SNA
..3	EC03	BN39-01154A	CBF SIGNAL;Chelsea Slim,24P/20P,30AWG,20	1	SA
..3	REMO2	BN59-01175N	REMOCON;TM1240A,44,3.0V,TM1240A_EUROPE_S	1	SA
..3	REMO3	BN59-01181B	REMOCON-14SMART TOUCH CONTROL;TM1480,28,	1	SA
..3	HOLDE	BN91-08370A	HOLDER-WIRE STAND;26UE4000 GUIDE STAND,N	1	SA
..3	M9889	BN63-01798B	CLOTH-CLEAN;CLOTH,sea blue,ToC	1	SNA
..3	T0527	BN68-00513A	LABEL-E,PASS;ALL MODEL,YUPO(110G),BLACK,	1	SNA

Exploded Views and Parts List

Level	Loc.	Part Code	Description & Specification	Qty.	SA/SNA
..3		BN69-10158A	BOX-ACCESSORY;H8000_ACCESSORY,CB,SERP Re	1	SNA
..3		BN69-10159A	PAD-TYPE;H8000_ACCESSORY,PAPER,W366,L182	1	SNA
..3		BN69-10160A	PAD-TYPE;H8000_ACCESSORY,CB,SERP Recycle	1	SNA
..3		BN69-10161A	PAD-TYPE;H8000_ACCESSORY,CB,SERP Recycle	1	SNA
..3		BN69-10225B	WRAP VINYL-SHRINK;ACCESSORY BOX,PLASTIC	0	SNA
..3	EH03A	BN96-18153A	ASSY HOLDER P-RING;11 LED-TV	1	SNA
...4		6902-001404	BAG ZIPPER;LDPE,T0.05,W80,L100,TRP	1	SNA
...4	AH365	BN61-07295A	HOLDER-RING;40UD5500,ABS,BK0007,HB	4	SNA
..3	3DGLA	BN96-27418A	ASSY ACCESSORY 3D GLASSES;SSG-5100GB,3D	2	SC
..3	CAIR	BN96-31644A	ASSY CABLE P;IR BLASTER,UL1185 28AWG,LS0	1	SA
1		BN92-14615A	ASSY P/MATERIAL;UH8000,48	1	SNA
.2		0203-001595	TAPE-OPP MASKING;OPP-2,0.075,75,800M,CLR	1	SNA
.2		6902-000379	BAG AIR;LDPE,T0.2,W1000,L1800,TRP,1260.0	1	SNA
.2		6902-001953	BAG ROLL;HDPE/PE FOAM,HDPE T0.018mm,T0.2	1	SNA
.2		6902-001956	BAG ROLL;HDPE/PE FOAM,HDPE T0.018mm,T0.2	1	SNA
.2		6922-000003	BAND PP;PP,T0.8,W18,L1650M,TRP,DA69-9014	1	SNA
.2	T0214	AA61-20285C	HOLDER-BOX;CORAL,PP,BLACK,HB,17.5g	4	SNA
.2		BN68-02422B	LABEL-WARNING SHIPPING;ALL MODEL,A/P 100	1	SNA
.2		BN69-03982L	PAD PACKING-EDGE;EDGE,PAPER,-,T5,W100,L2	1	SNA
.2		BN69-05418A	PACKING-BAG WRAPPING;-LDPE,-,0,019,500,	4	SNA
.2		BN69-06640A	PACKING-PAD;PAD,PAPER,-,-,CB-SW4,1120,95	1	SNA
.2		BN69-06640E	PACKING-TRUCK PAD;TRUCK PAD,PAPER,-,-,DW	1	SNA
.2		BN69-09404A	PAD-EPE;Y13 50" ALL,EPE,T10,150,150,20g/	2	SNA
.2		BN69-09792A	CUSHION-SET;H8000C 48",EPS,16.7g/l,W/W	1	SNA
.2		BN69-10434E	PALLET;48" H8000C,WOOD,20mm,1130,1175,14	1	SNA
.2		BN69-10513A	CUSHION-FRONT;48UH8000,EPS,16.7g/L	1	SNA
..3		0103-005099	RESIN-EPS;BASF303,Natural,Natural	352	SNA
..3		BN68-06249A	LABEL-03,BOX;ALL MODEL,ART PAPER 90G,90,	1	SNA
1		BN92-14725E	ASSY BOX;UH8000,48	1	SNA
.2		BH68-00662A	LABEL BOX-01;ALL MODEL,ART PAPER,60,110,	1	SNA
.2		BN69-10369A	BOX-SET,IN;48H8000C,CB,C-01,DW1,YEL, BB	1	SNA
.2		BN69-10370E	BOX-01,SET,OUT;48H8000C,CB,C-03,DW2,YEL,	1	SNA
1		BN92-14738H	ASSY LABEL;UH9V	1	SNA
.2		0203-001598	TAPE-FILAMENT;#8915,0.15,12,55000,CLR	0	SNA
.2		BN68-05050A	LABEL RATING;ALL,SS,PE,T0.05,93,73,Dark	1	SNA
.2		BN68-05842A	LEAFLET-QSG;UH8000,SAMSUNG,wordless,EURO	1	SNA
.2		BN68-06128A	LABEL-HIGHLIGHT POP;H8000 Series,PET,T0.	1	SNA