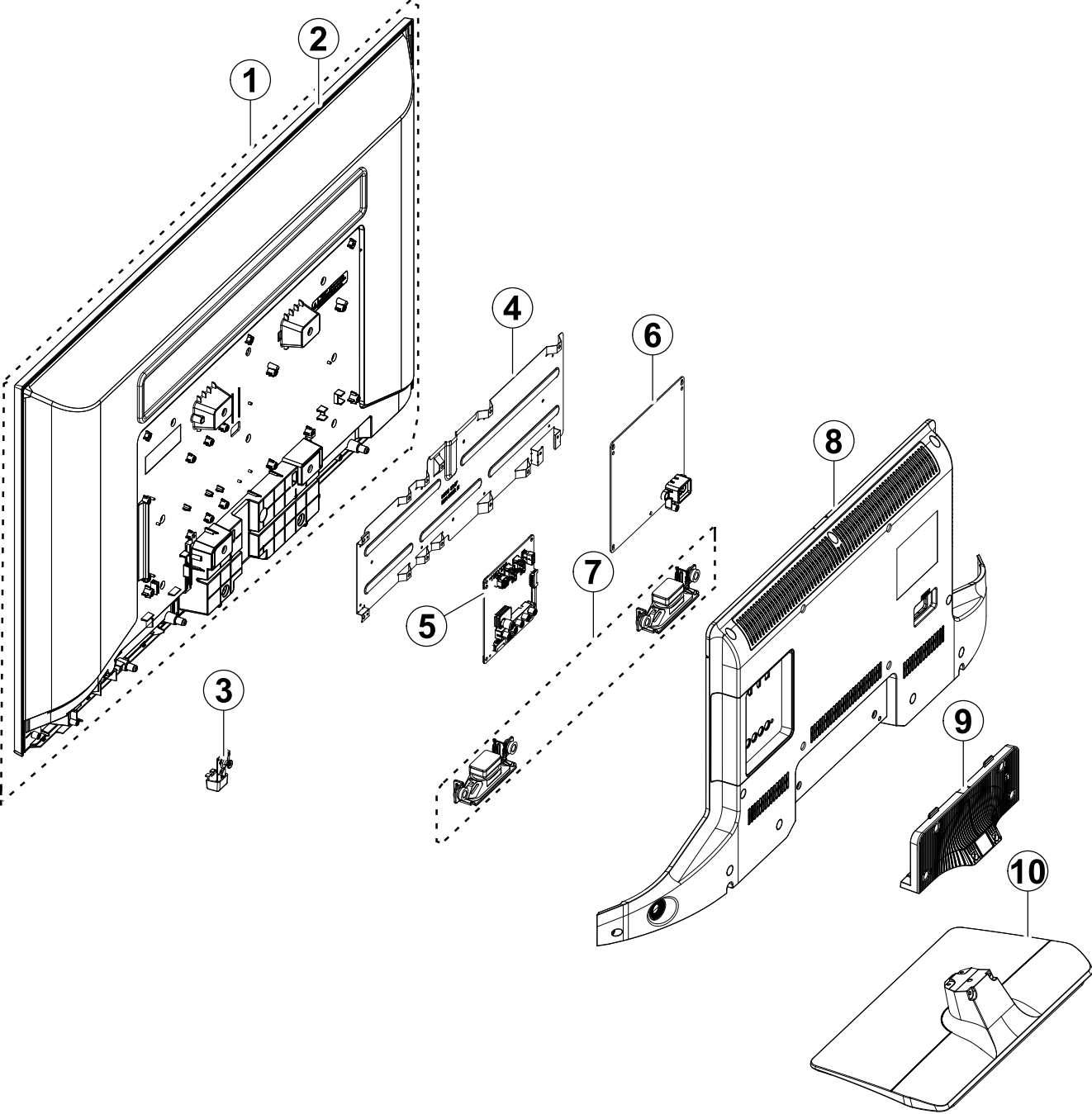


# 1. Exploded View & Part List

## Exploded View



**Parts List**

No.	Lvl.	Loc.	Material Code	Description & Specification	SNA	Qty.
1	2	PANEL	BN95-01875A	PRODUCT LCD-INX; CY-HH040BGNV1V/H,Mega,Bl	SA	1
2	3	TC01A	BN96-34244A	ASSY CHASSIS TOP P; MEGA 40,PC+ABS+G/F15%	SA	1
3	2	FB01A	BN96-34370B	ASSY BOARD P-JOG SWITCH & IR; UH5100,FUNC	SA	1
4	2	CB07	BN61-10765A	BRACKET-PCB; H4203,SECC,T0.5	SNA	1
5	2	M0014	BN94-07155J	ASSY PCB MAIN; UH5C	SA	1
6	2	P001A	BN44-00754A	DC VSS-LED TV PD BD; L40G0B_ESM,L40G0B_ES	SA	1
7	2	SP01A	BN96-32738C	ASSY SPEAKER P; 6ohm,10W,holderless_PDP-r	SC	1
8	2	R001A	BN96-34537B	ASSY COVER P-REAR; H5003 40",PC+ABS V1, B	SA	1
9	2	SG03	BN61-09997A	GUIDE-STAND; UH5000 40",PC+GF20%,V2	SC	1
10	2	SB04A	BN96-31506A	ASSY STAND P-BASE; UH5500 40",PC+ABS+G/F2	SA	1

## 2. Electrical Parts List

Level	Loc.	Part Code	Description & Specification	Qty.	SA/SNA
			<b>UE40H5003AWXXC (IS01)</b>		
1	S001A	BN90-05205C	ASSY STAND;UH5K	1	SNA
.2	SG03	BN61-09997A	GUIDE-STAND;UH5000 40",PC+GF20%,V2	1	SC
..3		0103-007285	RESIN PC;HF3200H,K21294,BK0007,V2	1.5mm	250
.2	SB04A	BN96-31506A	ASSY STAND P-BASE;UH5500 40",PC+ABS+G/F2	1	SA
..3	CCM1	BN63-04755B	SHEET-COVER;AMBER,PE,T0.05,W200mm,200M,C	1	SNA
..3		BN63-11633A	COVER-STAND BASE;UH5500 40",PC+ABS+G/F20	1	SNA
...4		0103-009946	RESIN PC ABS;HM-1200,BLACK,BK0007,V1	670	SNA
..3		BN67-00327D	RUBBER-FOOT;STAND,SILICON,13*13,T2,GRAY(	6	SNA
..3		BN69-08751B	WRAP VINYL-SHRINK;STAND,PLASTIC OTHERS,P	1	SNA
1		BN90-05474L	ASSY W/I;UH5200	1	SNA
.2		BN81-08159Z	PART SET-ELEC W/I;UF4~UF8,UH4~UH9 ELEC	1	SNA
.2		BN81-09500V	A/S PART SET-MECH W/I;UH5C,U40HF*	1	SNA
1	R001A	BN90-06222A	ASSY COVER REAR;UH5000	1	SNA
.2	SCREW	6003-001782	SCREW-TAPTYPE;BH,+,B,M4,L12,ZPC(BLK),SWR	11	SA
.2	R001A	BN96-34537B	ASSY COVER P-REAR;H5003 40",PC+ABS V1, B	1	SA
..3		AA63-01638A	FELT;50P9,FELT,0.5,15,40,NTR	4	SNA
..3	R001	BN63-13017B	COVER-REAR;H5003 40",ABS+PC,BLK,V1,EO	1	SA
...4		0103-010376	RESIN PC ABS;FR3012 / 901510,BLACK,BK000	740	SNA
1	M0017	BN91-11962J	ASSY CHASSIS;UH5C	1	SNA
.2	M0014	BN94-07155J	ASSY PCB MAIN;UH5C	1	SA
..3		0202-001608	SOLDER-WIRE FLUX;LFC7-107,D0.8,99.3Sn/0.	0	SNA
..3	FB01A	BN97-07120D	ASSY DRM-KEY;NT14L_DRM-KEY(CI+)	1	SNA
...4		BN46-00328B	KEY CODE-CERTIFI;CI+,TV,NT14, EU	1	SNA
..3		BN97-07956J	ASSY SMD-MAIN;UH5C	1	SNA
...4		0202-001830	SOLDER-CREAM;LFM-48W TM-HP,D20~38um,96.5	5	SNA
...4	DS01A	0401-001056	DIODE-SWITCHING;MMBD4148SE,100V,200mA,SO	1	SA
..4	DS01A	0401-001116	DIODE-SWITCHING;BAV99DW,75V,215mA,SOT-36	2	SA
...4		0403-001552	DIODE-ZENER;DDZ16,15.69/16.51V,500mW,SOD	1	SA
...4		0403-001783	DIODE-ZENER;BZB84-C6V2,5.8/6.6V,300mW,SO	5	SNA
...4		0403-001784	DIODE-ZENER;NZH7V5C,7.29/7.67V,500mW,SOD	1	SNA
...4		0403-001785	DIODE-ZENER;NZH5V1B,4.94/5.2V,500mW,SOD-	1	SA
...4		0403-001797	DIODE-ZENER;NZH3V0B,2.85/3.15V,500mW,SOD	1	SNA
..4		0404-001404	DIODE-SCHOTTKY;BAT721C,40V,200mA,SOT-23,	2	SA
...4		0406-001200	DIODE-TVS;RCLAMP0504F,6/-/V,150W,SC-70	1	SA
...4		0406-001628	DIODE-TVS;AOZ8804ADI,6/-/V,150W,SLP2510	4	SA
...4		0501-000279	TR-SMALL SIGNAL;KSA1182-Y,PNP,150mW,SOT-	1	SA
...4		0501-000445	TR-SMALL SIGNAL;KTC3875S-Y,NPN,150mW,SOT	6	SC

## Exploded Views and Parts List

Level	Loc.	Part Code	Description & Specification	Qty.	SA/SNA
...4		0505-002560	FET-SILICON;AO6415,P,-20V,-3.3A,0.15ohm,	3	SA
...4		0505-003397	FET-SILICON;2N7002K,N,60V,380mA,1.19ohm,	4	SA
...4		0801-002780	IC-CMOS LOGIC;74LVC1G17,SCHMITT-TRIGGER	2	SA
...4		0801-003330	IC-CMOS LOGIC;Octal buffer,DQFN,20P,4.5x	1	SA
...4		1001-001545	IC-ANALOG MULTIPLEX;TS3USB221ERSER,R-PQF	1	SA
...4		1103-001531	IC-EEPROM;S-24C256CI-J8T1U4,256Kbit,32Kx	1	SA
...4		1105-002527	IC-DDR3 SDRAM;K4B2G1646Q-BCK0,DDR3,2Gbit	1	SA
...4		1201-003183	IC-AUDIO AMP;DRV612,HTSSOP,14P,5x4.4mm,D	1	SA
...4		1201-003671	IC-AUDIO AMP;NTP7414,MLF,48P,7x7mm,DUAL,	1	SA
...4		1203-004363	IC-VOL. DETECTOR;SOT-23,3Z30,2.9x1.6mm,P	1	SA
...4		1203-006017	IC-VOL. DETECTOR;RT9824GJ8,TSOT23,8P,2.9	1	SA
...4		1203-006130	IC-POSIFIXED REG.;S-1172B25-U5T1G,SOT-8	1	SA
...4		1203-007694	IC-DC/DC CONVERTER;SN1106041DDAR,DDA,8Z3	2	SA
...4		1203-008103	IC-POSIFIXED REG.;S-13A1D15-E8001,HSOP,	1	SNA
...4		1203-008104	IC-POSIFIXED REG.;S-13A1D18-E8001,HSOP,	1	SNA
...4		1203-008105	IC-POSIFIXED REG.;S-13A1D33-E8001,HSOP,	1	SNA
...4		1203-008183	IC-DC/DC CONVERTER;AOZ3015PI-1,EPAD SO-8	1	SA
...4		1204-003492	IC-DECODER;SENK14,LFBGA,624P,21x21mm,PLA	1	SA
...4		1205-004447	IC-SWITCH;TPS2051CDBVR,SOT23-5,5P,3x1.65	2	SA
...4		1405-001271	VARISTOR;35V,20Vdc,5A,1.0x0.5x0.6mm,TP,1	14	SA
...4		2007-000137	R-CHIP;2Kohm,5%,1/16W,TP,1005	7	SNA
...4		2007-000138	R-CHIP;100ohm,5%,1/16W,TP,1005	20	SA
...4		2007-000142	R-CHIP;2.7Kohm,5%,1/16W,TP,1005	1	SA
...4		2007-000143	R-CHIP;4.7Kohm,5%,1/16W,TP,1005	45	SNA
...4		2007-000148	R-CHIP;10Kohm,5%,1/16W,TP,1005	25	SA
...4		2007-000153	R-CHIP;22Kohm,5%,1/16W,TP,1005	7	SNA
...4		2007-000157	R-CHIP;47Kohm,5%,1/16W,TP,1005	6	SNA
...4		2007-000162	R-CHIP;100Kohm,5%,1/16W,TP,1005	6	SNA
...4		2007-000168	R-CHIP;470Kohm,5%,1/16W,TP,1005	3	SA
...4		2007-000171	R-CHIP;0ohm,5%,1/16W,TP,1005	2	SNA
...4		2007-000172	R-CHIP;10ohm,5%,1/16W,TP,1005	2	SNA
...4		2007-000173	R-CHIP;22ohm,5%,1/16W,TP,1005	10	SNA
...4		2007-000256	R-CHIP;1.6Kohm,1%,1/10W,TP,1608	1	SA
...4		2007-000475	R-CHIP;1Mohm,1%,1/10W,TP,1608	1	SA
...4		2007-000691	R-CHIP;3.3Mohm,5%,1/10W,TP,1608	1	SA
...4		2007-000695	R-CHIP;3.3ohm,5%,1/10W,TP,1608	4	SNA
...4		2007-000775	R-CHIP;33Kohm,5%,1/16W,TP,1005	2	SNA
...4		2007-000931	R-CHIP;470ohm,5%,1/8W,TP,2012	1	SC
...4		2007-000932	R-CHIP;470ohm,5%,1/16W,TP,1005	7	SNA
...4		2007-001292	R-CHIP;33ohm,5%,1/16W,TP,1005	12	SNA

Level	Loc.	Part Code	Description & Specification	Qty.	SA/SNA
...4		2007-001298	R-CHIP;51ohm,5%,1/16W,TP,1005	2	SNA
...4		2007-001313	R-CHIP;330ohm,5%,1/16W,TP,1005	2	SNA
...4		2007-001325	R-CHIP;3.3Kohm,5%,1/16W,TP,1005	1	SNA
...4		2007-007095	R-CHIP;390ohm,5%,1/16W,TP,1005	1	SA
...4		2007-007108	R-CHIP;43.2Kohm,1%,1/16W,TP,1005	1	SA
...4		2007-007142	R-CHIP;10Kohm,1%,1/16W,TP,1005	2	SNA
...4		2007-007156	R-CHIP;1ohm,5%,1/16W,TP,1005	25	SNA
...4		2007-007306	R-CHIP;100ohm,1%,1/16W,TP,1005	4	SNA
...4		2007-007309	R-CHIP;12Kohm,1%,1/16W,TP,1005,0.35	1	SA
...4		2007-007311	R-CHIP;22Kohm,1%,1/16W,TP,1005	1	SA
...4		2007-007317	R-CHIP;2.2Kohm,1%,1/16W,TP,1005	2	SA
...4		2007-007318	R-CHIP;1Kohm,1%,1/16W,TP,1005	15	SNA
...4		2007-007517	R-CHIP;240ohm,1%,1/16W,TP,1005	1	SNA
...4		2007-007538	R-CHIP;56Kohm,1%,1/16W,TP,1005	1	SA
...4		2007-008015	R-CHIP;75ohm,1%,1/16W,TP,1005	8	SA
...4		2007-008275	R-CHIP;30Kohm,1%,1/16W,TP,1005	1	SNA
...4		2007-008332	R-CHIP;11.5Kohm,1%,1/16W,TP,1005	2	SA
...4		2011-001261	R-NETWORK;33ohm,5%,1/16W,L,CHIP,8P,TP,2.	2	SA
...4		2011-001262	R-NETWORK;22ohm,5%,1/16W,L,CHIP,8P,TP,2.	2	SA
...4		2011-001344	R-NETWORK;100ohm,5%,1/16W,L,CHIP,8P,TP,2	6	SA
...4		2011-001345	R-NETWORK;10Kohm,5%,1/16W,L,CHIP,8P,TP,2	6	SA
...4		2011-001396	R-NETWORK;4.7Kohm,5%,1/16W,L,CHIP,8P,TP,	5	SA
...4		2011-001449	R-NETWORK;22ohm,5%,1/16W,L,4P,TP,1010	1	SA
...4	AD480	2203-000233	C-CER,CHIP;0.1nF,5%,50V,C0G,TP,1005	7	SA
...4	AD480	2203-000278	C-CER,CHIP;0.01nF,0.5pF,50V,C0G,TP,1005	1	SA
...4	AD480	2203-000359	C-CER,CHIP;0.15nF,5%,50V,C0G,TP,1005,0.5	4	SA
...4	AD480	2203-000438	C-CER,CHIP;1nF,10%,50V,X7R,TP,1005	7	SA
...4	AD480	2203-000489	C-CER,CHIP;2.2nF,10%,50V,X7R,TP,1005	1	SA
...4	AD480	2203-000585	C-CER,CHIP;0.22nF,10%,50V,X7R,TP,1005	1	SA
...4	AD480	2203-000627	C-CER,CHIP;0.022nF,5%,50V,C0G,TP,1005	2	SNA
...4	AD480	2203-000714	C-CER,CHIP;3.3nF,10%,50V,X7R,TP,1005	10	SA
...4	AD480	2203-000812	C-CER,CHIP;0.033nF,5%,50V,C0G,TP,1005	1	SA
...4	AD480	2203-000940	C-CER,CHIP;0.47nF,10%,50V,X7R,TP,1005	4	SA
...4	AD480	2203-000995	C-CER,CHIP;0.047nF,5%,50V,C0G,TP,1005	3	SA
...4	AD480	2203-001412	C-CER,CHIP;0.03nF,5%,50V,NP0,TP,1005	3	SNA
...4	AD480	2203-002285	C-CER,CHIP;10nF,10%,50V,X7R,TP,1005	12	SNA
...4	AD480	2203-002443	C-CER,CHIP;0.33nF,10%,50V,X7R,TP,1005	10	SA
...4	AD480	2203-005249	C-CER,CHIP;100nF,10%,50V,X7R,TP,1608	13	SNA
...4	AD480	2203-005659	C-CER,CHIP;0.18nF,5%,50V,NP0,TP,1005	1	SNA
...4	AD480	2203-006048	C-CER,CHIP;100nF,10%,10V,X7R,TP,1005	84	SA

Exploded Views and Parts List

Level	Loc.	Part Code	Description & Specification	Qty.	SA/SNA
...4	AD480	2203-006126	C-CER,CHIP;47nF,10%,16V,X7R,TP,1005	12	SNA
...4	AD480	2203-006324	C-CER,CHIP;2200nF,10%,10V,X5R,TP,1608	5	SA
...4	AD480	2203-006348	C-CER,CHIP;1000nF,10%,25V,X5R,TP,1608,0.	3	SA
...4	AD480	2203-006361	C-CER,CHIP;10000nF,10%,10V,X5R,TP,2012	6	SC
...4	AD480	2203-006474	C-CER,CHIP;22000nF,20%,6.3V,X5R,TP,2012	14	SA
...4	AD480	2203-006562	C-CER,CHIP;1000nF,10%,10V,X5R,TP,1005	15	SNA
...4	AD480	2203-006636	C-CER,CHIP;220nF,10%,25V,X7R,TP,1608	2	SA
...4	AD480	2203-006698	C-CER,CHIP;1000nF,10%,25V,X7R,TP,1608,0.	1	SA
...4	AD480	2203-006842	C-CER,CHIP;0.47nF,5%,50V,C0G,TP,1005	1	SNA
...4	AD480	2203-006890	C-CER,CHIP;10000nF,20%,6.3V,X5R,TP,1608	31	SA
...4	AD480	2203-007176	C-CER,CHIP;10000nF,10%,16V,X5R,TP,2012,1	6	SNA
...4	AD480	2203-007240	C-CER,CHIP;22000nF,20%,6.3V,X5R,TP,1608,	2	SA
...4	AD480	2203-007269	C-CER,CHIP;22000nF,20%,10V,X5R,TP,2012,0	5	SNA
...4	AD480	2203-007270	C-CER,CHIP;10000nF,10%,10V,X5R,TP,1608,0	5	SNA
...4	AD480	2203-007306	C-CER,CHIP;10000nF,10%,25V,X5R,TP,2012,1	1	SNA
...4	AD480	2203-007513	C-CER,CHIP;10000nF,10%,10V,X5R,TP,1608,0	1	SA
...4	AD480	2203-007544	C-CER,CHIP;100nF,10%,50V,X7R,TP,1005,0.5	3	SA
...4		2503-001051	C-NETWORK;100nFx4,20%,16V,2012	1	SA
...4		2703-000158	INDUCTOR-SMD;1uH,10%,2012,40Ohm,50mA,45,	3	SA
...4		2703-000213	INDUCTOR-SMD;470nH,10%,1608,1.35Ohm,35mA	1	SA
...4		2703-001209	INDUCTOR-SMD;1.2uH,10%,1608,80Ohm,25mA,3	3	SA
...4		2703-002332	INDUCTOR-SMD;330nH,5%,1608,30Ohm,100mA,32	1	SA
...4		2703-003149	INDUCTOR-SMD;2.2uH,20%,5050,0.055Ohm,300	1	SA
...4		2703-003790	INDUCTOR-SMD;4.7uH,20%,8080,0.025ohm,450	1	SA
...4		2703-003930	INDUCTOR-SMD;4.7uH,20%,5050,0.072Ohm,245	4	SA
...4		2703-004145	INDUCTOR-SMD;2.2uH,20%,6.5 x 6.9mm,0.20o	1	SNA
...4		2801-003773	CRYSTAL-SMD;12MHz,30ppm,28-AAN,20pF,50oh	1	SA
...4		3301-001364	BEAD-SMD;1000ohm,1608,TP,1085ohm/108MHz,	2	SNA
...4		3301-002039	BEAD-SMD;26ohm,1608,TP	42	SA
...4		3701-001856	CONNECTOR-HDMI;19P,FEMALE,AU,0.5mm,BLK,S	2	SA
...4		3707-001106	CONNECTOR-OPTICAL;STRAIGHT W/L,SPDIF	1	SA
...4		3708-003073	CONNECTOR-FPC/FFC/PIC;51P,0.5mm,SMD,AU,N	1	SA
...4		3709-001712	CONNECTOR-CARD SLOT;68P,1.27mm,ANGLE,AU,	1	SA
...4	EH01	3711-008521	HEADER-BOARD TO CABLE;BOX,8P,1R,2mm,ANGL	1	SA
...4	EH01	3711-008634	HEADER-BOARD TO CABLE;BOX,10P,2R,2mm,ANG	1	SA
...4	EH01	3711-008782	HEADER-BOARD TO CABLE;BOX,4P,1R,2.5mm,ST	1	SNA
...4		3722-003457	JACK-USB;4P/1C,NL,BLK,A	1	SA
...4		3722-003655	JACK-SCART;21P,SN,BLK	1	SA
...4	ET01	BN40-00281A	TUNER;DTOS40EIL276A,DTOS40EIL276A,DVB-TC	1	SA
...4		BN41-02217B	PCB MAIN;Mega_EU_NT14L,FR-4,4,1.2T,192x1	1	SNA

Level	Loc.	Part Code	Description & Specification	Qty.	SA/SNA
...4		BN97-07377F	ASSY MICOM-SUB;T-NT14LDEUS-1002,2014.02.	1	SNA
....5		1107-002226	IC-NOR FLASH;W25Q40CLSSIP,4Mbit,SOIC,8P,	1	SNA
...4		BN97-07377K	ASSY MICOM;T-NT14LDEUC-XXXX,F59L1G81A-25	1	SNA
....5		1107-002252	IC-NAND FLASH;F59L1G81A-25TIG,1Gbit,128M	1	SA
....5		BN46-00371E	S/W-E-MANUAL;NT14L,EU4,XC, XN, ZF, ZG, Z	1	SNA
....5		BN46-00377A	S/W MICOM;T-NT14LDEUC-XXXX,2013.10.23	1	SNA
..3	T0066	BP62-00017A	HEAT SINK-ES;SP-50L2HX,A6063S,T2.0,26.2,	1	SNA
1		BN91-13469A	ASSY SHIELD;uh5000	1	SNA
.2	SCREW	6001-003016	SCREW-MACHINE;PWH,+,M3.0,L5.0,ZPC(WHT),S	2	SA
.2	SCREW	6003-001856	SCREW-TAPTYPE;BH,+,B,M4,L10,ZPC(WHT),SWR	11	SA
.2		BN02-00102B	TAPE FILAMENT;UE7000,#8917,0.15,25,50,WH	0	SNA
.2	EC13	BN39-01885S	LEAD CONNECTOR;MFM NT14L,Flat Connector	1	SA
.2	M-F	BN39-01916A	LEAD CONNECTOR-FUNCTION;40H4200,Lead Con	1	SA
.2	P001A	BN44-00754A	DC VSS-LED TV PD BD;L40G0B_ESM,L40G0B_ES	1	SA
.2	CB07	BN61-10765A	BRACKET-PCB;H4203,SECC,T0.5	1	SNA
.2	SP01A	BN96-32738C	ASSY SPEAKER P;6ohm,10W,holderless_PDP-r	1	SC
.2	FL06	BN96-33236Q	ASSY CABLE P-FFC;40H5203,FFC,NH,350mm,51	1	SA
.2	FB01A	BN96-34370B	ASSY BOARD P-JOG SWITCH & IR;UH5100,FUNC	1	SA
1		BN91-13535A	ASSY LCM-INX;BN95-01875A,CY-HH040BGNV1V	1	SNA
.2	PANEL	BN95-01875A	PRODUCT LCD-INX;CY-HH040BGNV1V/H,Mega,BI	1	SA
..3		BN60-00667C	SPACER-GASKET;Y13 SF-LED,GASKET(FG200A),	2	SNA
..3		BN68-05722A	LABEL-STICKER;ALL MODEL,POLYPROPYLENE,0.	1	SNA
..3		BN90-06228A	ASSY MISC-BLU;Mega FHD 40	1	SNA
...4		BN02-00043B	TAPE ETC-SHEET FIXING;NNB 32/40/46/55,3M	2	SA
...4		BN02-00114A	TAPE ETC-COF;NNB 55",PET,0.07T,20,12,GRE	4	SNA
...4		BN61-08161A	HOLDER-LED-PCB;Direct-LED,PC,white	19	SNA
....5		0103-009493	RESIN PC;LH-1070W,W92853,WT0107,V-2	19	SNA
...4		BN61-11123A	SUPPORT-PLATE;MEGA,PC,CLEAR	3	SNA
....5		0103-005036	RESIN PC;M2407,550115,TP0003	11	SNA
...4		BN61-11258A	LGP-DIFFUSERSR PLATE;39.5inch, A type Meg	1	SNA
...4		BN63-13083A	SHEET-COMPLEX;MEGA2 39.5, DMOP-4R,PET,0.	1	SNA
...4		BN63-13084A	SHEET-REFLECTOR;MEGA2 39.5, UXJP175,PET,	1	SNA
...4		BN96-34174A	ASSY LED BAR P-LED BAR;39.5" Mega U/D,13	2	SNA
...4		BN96-34175A	ASSY LED BAR P-LED BAR;39.5" Mega mid,12	1	SNA
...4		BN96-34242A	ASSY FRAME P-MOLD MIDDLE;MEGA 40",PC+G/F	1	SNA
....5		BN60-00928E	SPACER-D PLATE A;H5200, 40",PET,155,BLK,	4	SNA
....5		BN60-00928F	SPACER-D PLATE B;H5200, 40",PET,223,BLK,	3	SNA
....5		BN60-00928G	SPACER-D PLATE C;H5200, 40",PET,175,BLK,	1	SNA
....5		BN60-00928H	SPACER-D PLATE D;40H5200,PET,192,BLK,T0.	4	SNA
....5		BN60-00999S	SPACER-PANEL U;H5200, 40",SI,835.0,GRAY,	1	SNA

Exploded Views and Parts List

Level	Loc.	Part Code	Description & Specification	Qty.	SA/SNA
....5		BN60-00999T	SPACER-PANEL D;H5200, 40",SI,820,GRAY,T0	1	SNA
....5		BN60-00999U	SPACER-PANEL LR;H5200, 40",SI,500.0,GRAY	2	SNA
....5		BN60-00999Z	SPACER-D-PLATE;ALL-MODEL,SI,55,Gray,T0.5	1	SNA
....5		BN61-11182A	FRAME-MOLD MIDDLE;Y14 F-LED 39.5",PC+GF1	1	SNA
....6		0103-007368	RESIN PC;LS-3104G,K2495,BK0048,3.0mm V-2	100	SNA
...4		BN96-34243A	ASSY CHASSIS BOTTOM P;MEGA 40",PC+ABS+G/	1	SNA
....5		0203-001598	TAPE-FILAMENT;#8915,0.15,12,55000,CLR	0	SNA
....5	SCREW	6003-000115	SCREW-TAPTYPE;BH,+,B,M3,L6,ZPC(BLK),SWRC	2	SA
....5	SCREW	6003-001070	SCREW-TAPTYPE;BH,+,B,M2,L4,ZPC(BLK),SWRC	6	SA
....5	SCREW	6003-001782	SCREW-TAPTYPE;BH,+,B,M4,L12,ZPC(BLK),SWR	4	SA
....5	M0909	AA63-01388A	GASKET-EMI,SPONGE;SP-P300M,Conductive Fa	1	SA
....5		BN02-00040P	TAPE DOUBLE FACE-D-PLATE;F-LED ALL,PET,0	2	SNA
....5		BN02-00102B	TAPE FILAMENT;UE7000,#8917,0.15,25,50,WH	0	SNA
....5		BN02-00352D	TAPE PET-ROLL;Y12 F-LED,PET,T0.05,W20,L5	0	SNA
....5	EC13	BN39-01908A	LEAD CONNECTOR;40inch Mega,Lead Connecto	1	SNA
....5		BN60-01009F	SPACER-LINK;Y14 ENTRY MODEL,CONDUCTIVE F	2	SNA
....5		BN60-01051A	SPACER-THERMAL RADIATION;Y14 ENTRY MODEL	4	SNA
....5		BN61-10607A	BRACKET-LED BAR_U;Y14 F-LED 40" (MEGA),A	2	SNA
....5		BN61-10610A	BRACKET-LED BAR_D;Y14 F-LED 40" (MEGA),A	1	SNA
....6		0102-001955	ALUMINUM PLATE;A5052,H32,T0.5,790	0	SNA
....5		BN61-10731A	BRACKET-WALL MOUNT;MEGA,EGI-SECC AG,T1.2	4	SNA
....5		BN61-11183A	BRACKET-EMI_L;Y14 F-LED 39.5" (MEGA),EGI	1	SNA
....5		BN61-11184A	BRACKET-EMI_R;Y14 F-LED 39.5" (MEGA),EGI	1	SNA
....5		BN63-07349A	GASKET;GASKET EMI,Polyurethane Sponge+ P	5	SNA
....5		BN63-08831A	GASKET;GASKET EMI,Polyurethane Sponge+ P	1	SNA
....5	CC02	BN64-02831A	CHASSIS-BOTTOM;Y14 F-LED 39.5" (MEGA),PC	1	SNA
....6		0103-009559	RESIN PC;HM-1150S,K21294,BK0007,PC ABS G	300	SNA
....5	M0131	MD63-00103A	GASKET;GRANDSLAM,Conductive Fabric,1,10,	2	SNA
...3		BN96-33321A	ASSY OPEN CELL;V400HJ6-PE1,V400HJ6-PE1,1	1	SNA
...4		BN81-10993A	A/S-A/S-IC DRIVER SOURCE;INX 39.5 FHD 60	1	SNA
...4		BN81-10994A	A/S-A/S-IC DRIVER GATE;INX 39.5 FHD 60Hz	1	SNA
...4		BN81-10995A	A/S-ASSY PCB-SOURCE (XL);INX 39.5 FHD 60	1	SNA
...4		BN81-10996A	A/S-ASSY PCB-SOURCE (XR);INX 39.5 FHD 60	1	SNA
...4		BN81-10997A	A/S-POLARIZER-C/F;INX 39.5 FHD 60Hz,4101	1	SNA
...4		BN81-10998A	A/S-POLARIZER-TFT;INX 39.5 FHD 60Hz,4101	1	SNA
...3	TC01A	BN96-34244A	ASSY CHASSIS TOP P;MEGA 40,PC+ABS+G/F15%	1	SA
...4		BN60-00715A	SPACER-TOP,CORNER;Y13 Slim F-LED,GASKET*	4	SNA
...4		BN60-01009E	SPACER-LINK;Y14 ENTRY MODEL,CONDUCTIVE F	2	SNA
...4		BN60-01070A	SPACER-TOP UD;MEGA 39.5",CONDUCTIVE FABR	2	SNA
...4		BN60-01070B	SPACER-TOP LR;MEGA 39.5",CONDUCTIVE FABR	2	SNA



Level	Loc.	Part Code	Description & Specification	Qty.	SA/SNA
...4	AS080	BN63-07556T	SHEET-COVER;TOC,PUR,T0.07,W22mm,100M,ST-	3	SNA
...4	AS080	BN63-10945D	SHEET-COVER;Y13 SF-LED,PO-SHEET,T0.068,W	1	SNA
...4	AC157	BN64-02832A	CHASSIS-TOP;Y14 F-LED 39.5" (MEGA),PC+AB	1	SNA
....5		0103-010275	RESIN PC ABS;235GNH15/6919H,Black,BK0007	190	SNA
1	ACCE1	BN92-13743F	ASSY ACCESSORY;UH5C	1	SNA
.2		BN68-05417A	LABEL-02,ENERGY;ALL,EDC,Polypropylene,T0	1	SNA
.2		BN96-31646G	ASSY ACCESSORY CABLE;UH5K	1	SNA
..3	T0268	3903-000849	CBF-POWER CORD;DT,CEE,LP-21L,250V,2.5A,B	1	SC
..3		4301-000121	BATTERY-MN;1.5V,R03,10.5x44.5m,7.5g,AAA	2	SNA
..3		6902-001965	BAG PE;LDPE,BIOBASED,T0.05,W200,L300,TRP	1	SNA
..3	REMO2	AA59-00741A	REMOCON;TM1240,44,3.0V,F5020/EU	1	SA
..3		BN68-02989A	LABEL-PQS;ALL,ALL,Paper,30,65,WHITE,SEH	1	SNA
..3		BN96-15806B	ASSY HOLDER P-WIRE STAND;UE5500,NYLON,BL	1	SNA
...4		BN61-04731D	TAPE DOUBLE FACE;AMBER,ACRYL,T1.1,W20.0m	0	SNA
...4		BN61-05491C	HOLDER-WIRE STAND;UE5500,PA,BLK	1	SNA
..3		BN96-32380B	ASSY ACCESSORY-SCREW;LED-TV,M4,L14,B-typ	2	SNA
..4	HOLDE	BN61-09494D	HOLDER-BOLT;BH+,SWRCH18A,L14,M4,B TYPE	8	SA
...4		BN69-10588A	PACKING-BAG-SCREW;LED TV,LDPE,0.05,70,90	2	SNA
.2	ACCE4	BN96-34522A	ASSY ACCESSORY-MANUAL;UE40H5003AWXXC,48"	1	SNA
..3		6902-001964	BAG PE;LDPE,BIOBASED,T0.03,W200,L300,TRP	1	SNA
..3		AA68-04161A	LEAFLET-01,FICHE;MEGA 5K series,EUROPE F	1	SNA
..3		BN68-00514K	MANUAL FLYER-05,WARRANTY CARD;comm,Samsu	1	SNA
..3		BN68-04972A	MANUAL FLYER-06,REGULATORY GUI;ALL,SAMSU	1	SNA
..3		BN68-06308Q	MANUAL USERS;UE40H5003AW UE48H5003AW,XC,	1	SNA
1		BN92-13788E	ASSY LABEL;UH5C	1	SNA
.2		BN68-04299R	MANUAL FLYER-QSG;H5003 H5004,ZF.ZG.XH.XU	1	SNA
.2	T0527	BP68-00052B	LABEL-00,RATING;FPTV,PET,T0.05,93,73	1	SNA
1		BN92-16025A	ASSY P/MATERIAL;UH5000	1	SNA
.2		6902-001671	BAG ROLL;HDPE/PE FOAM,T0.01/T0.3,W750,L3	2	SNA
.2		6922-000013	BAND PP;PP,W18,L2300/L2900,TRP	1	SNA
.2		BN01-00043A	FOIL-STRETCH-HOOD;LLDPE,T0.08,W980,L1400	0	SNA
.2	AS108	BN63-10123A	SHEET-PROTECTION;SNB 40,PET,0.095,W894,L	1	SNA
.2	AS080	BN63-10787C	SHEET-COVER;UE37EH5000,PE,T4.0,W1100,L13	1	SNA
.2		BN69-10887A	PALLET WOODEN;40H4200,WOOD,1060,1240,130	1	SNA
.2		BN69-11091A	CUSHION-SET;MEGA 39.5",EPS,EU	1	SNA
..3		0103-005099	RESIN EPS;BASF303,Natural,Natural	288	SNA
.2		BN74-00008N	TAPE OPP-MASKING;T0.065,W60,L1500M,NTR,S	2	SNA
.2		BN74-00053E	TAPE PAPER-PROTECTION;3M2307,PAPER,0.14T	0	SNA
1		BN92-16248A	ASSY BOX;UH5000	1	SNA
.2		BH68-00662A	LABEL BOX-01;ALL MODEL,ART PAPER,60,110,	1	SNA
.2		BN69-11116T	BOX-SET;40UH5003-SS,CB,A-01,SW3,YEL,W103	1	SNA

