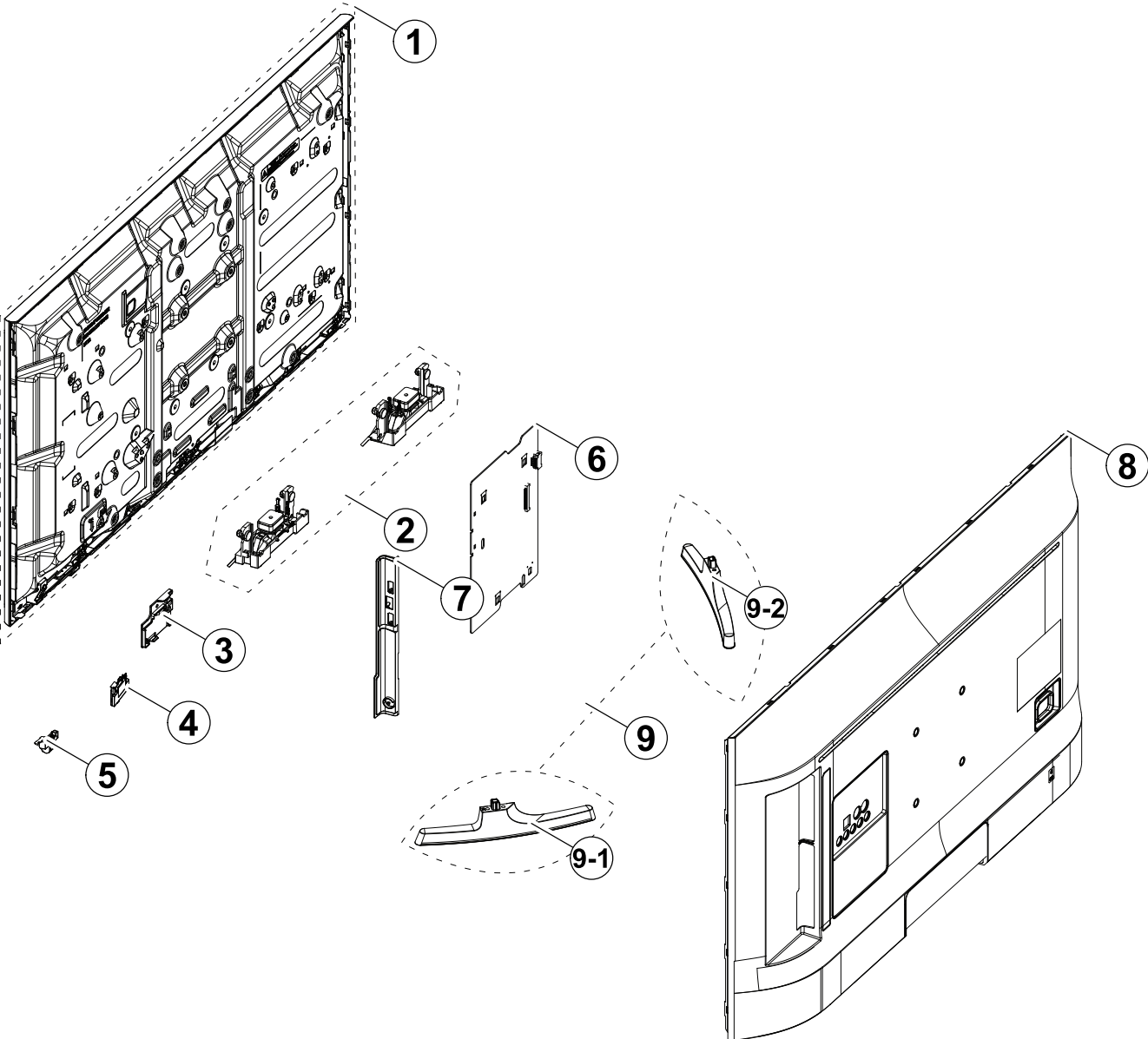


# 1. Exploded View & Part List

## Exploded View



## Parts List

| No. | Lvl. | Loc.  | Material Code | Description & Specification                  | SNA | Qty. |
|-----|------|-------|---------------|--|-----|------|
| 1   | 2    | PANEL | BN07-01583A   | LCD-PANEL;<br>CY-JN032AGLR1V,RNJ4AL1,737.37x | SA  | 1    |
| 2   | 2    | SP01A | BN96-36052A   | ASSY SPEAKER P-FRONT;<br>TV-SPK,J4003,6ohm,5 | SA  | 1    |
| 3   | 2    |       | BN61-11586A   | HOLDER-WIFI; JU7500,ABS,BK0007,HB            | SNA | 1    |
| 4   | 2    | WIFI  | BN59-01174D   | NETWORK-WLAN CLIENT;<br>WIDT30Q,55x24x5.8mm  | SA  | 1    |
| 5   | 2    |       | BN96-39802J   | ASSY BOARD P-FUNCTION ONE KEY; Y18<br>NU8000 | SA  | 1    |
| 6   | 2    | M0014 | BN94-13998W   | ASSY PCB MAIN; TV                            | SA  | 1    |
| 7   | 3    |       | BN63-15595B   | COVER-TERMINAL SIDE;<br>40M5000,HIPS,T1.5,HB | SA  | 1    |
| 8   | 2    | R001A | BN96-49111A   | ASSY COVER P-REAR;<br>32N5300,HIPS,HB,BK0020 | SA  | 1    |
| 9   | 2    | SB04A | BN96-36499F   | ASSY STAND P-COVER BOTTOM;<br>32J4003,PC+ABS | SA  | 1    |
| 9-1 | 3    |       | BN63-13872C   | COVER-STAND TOP LEFT;<br>32J4003,PC+ABS,V-0, | SNA | 1    |
| 9-2 | 3    |       | BN63-13875C   | COVER-STAND TOP RIGHT;<br>32J4003,PC+ABS,V-0 | SNA | 1    |

## 2. Electrical Parts List

| Level | Loc.  | Part Code   | Description & Specification              | Qty. | SA/SNA |
|-------|-------|-------------|--|------|--------|
|       |       |             | <b>UE32N4300AKXXC (LB02)</b>             |      |        |
| 1     | S001A | BN90-07130F | ASSY STAND;J5000                         | 1    | SNA    |
| .2    | SB04A | BN96-36499F | ASSY STAND P-COVER BOTTOM;32J4003,PC+ABS | 1    | SA     |
| ..3   |       | BN63-13872C | COVER-STAND TOP LEFT;32J4003,PC+ABS,V-0, | 1    | SNA    |
| ..3   |       | BN63-13875C | COVER-STAND TOP RIGHT;32J4003,PC+ABS,V-0 | 1    | SNA    |
| ...4  |       | 0103-005041 | RESIN PC ABS;FR3200TV/901408,Black,BK000 | 80   | SNA    |
| ..3   | RF01  | BN67-00524A | FOOT-RUBBER;J4003,RUBBER,GRAY,T2.5,,     | 4    | SNA    |
| ..3   |       | BN69-08751A | PACKING SHRINKAGE;STAND,PLASTIC,T0.015,W | 0    | SNA    |
| ..3   |       | BN96-18013E | ASSY ACCESSORY-SCREW;ALL MODEL,6003-0017 | 1    | SNA    |
| ...4  | SCREW | 6003-001782 | SCREW-TAPTYPE;BH,+,B,M4,L12,ZPC(BLK),SWR | 4    | SA     |
| ...4  |       | 6902-000341 | BAG PE;LDPE,T0.05,W70,L90,TRP,Bio. N     | 1    | SNA    |
| 1     |       | BN90-09724C | ASSY W/I;4k                              | 1    | SNA    |
| .2    |       | BN81-08159Z | A/S PART SET-ELEC W/I;LED TV ELEC spec-C | 1    | SNA    |
| .2    |       | BN81-16295A | A/S PART SET-MECH W/I;UN4300N,U32NN*     | 1    | SNA    |
| 1     | R001A | BN90-10278T | ASSY COVER REAR;TV                       | 1    | SNA    |
| .2    | R001A | BN96-49111A | ASSY COVER P-REAR;32N5300,HIPS,HB,BK0020 | 1    | SA     |
| ..3   |       | BN60-00162W | SPACER-FOAM;PE FOAM,L50M,GRAY,T1,W10     | 0    | SNA    |
| ..3   | R001  | BN63-17671N | COVER-REAR;32UN4300N,HIPS,T2,HB,BK0020,M | 1    | SNA    |
| ...4  |       | 0103-004631 | RESIN HIPS;HF-1690H/K21294,K21294,BK0007 | 1102 | SNA    |
| ..3   |       | BN64-04117B | INLAY-TERMINAL SIDE;40UN5300M,PET,T0.125 | 1    | SNA    |
| 1     |       | BN91-19088E | ASSY LCD;BN07-01583A                     | 1    | SNA    |
| .2    | PANEL | BN07-01583A | LCD-PANEL;CY-JN032AGLR1V,RNJ4AL1,737.37x | 1    | SA     |
| 1     |       | BN91-20577R | ASSY SHIELD;TV                           | 1    | SNA    |
| .2    |       | BN02-00102B | TAPE-SINGLE FACE;OPP,T0.15,W25,L50M,WHIT | 0    | SNA    |
| .2    |       | BN39-02223D | LEAD CONNECTOR-SUB ASSY;32K5300,UL21016, | 1    | SA     |
| .2    |       | BN39-02230A | LEAD CONNECTOR-SUB ASSY;39.5K5300,UL2101 | 1    | SA     |
| .2    | WIFI  | BN59-01174D | NETWORK-WLAN CLIENT;WIDT30Q,55x24x5.8mm  | 1    | SA     |
| .2    |       | BN61-11586A | HOLDER-WIFI;JU7500,ABS,BK0007,HB         | 1    | SNA    |
| .2    |       | BN96-35954K | FFC CABLE;UE32M4000,Fold,L450,30P,172x10 | 1    | SA     |
| .2    | SP01A | BN96-36052A | ASSY SPEAKER P-FRONT;TV-SPK,J4003,6ohm,5 | 1    | SA     |
| .2    |       | BN96-39802J | ASSY BOARD P-FUNCTION ONE KEY;Y18 NU8000 | 1    | SA     |
| 1     | M0017 | BN91-21297S | ASSY CHASSIS;TV                          | 1    | SNA    |
| .2    | M0014 | BN94-13998W | ASSY PCB MAIN;TV                         | 1    | SA     |
| ..3   |       | 0202-001608 | SOLDER-WIRE FLUX;LFC7-107,D0.8,99.3Sn/0. | 0    | SNA    |
| ..3   |       | BN62-00835A | HEAT SINK-PS;M5300/M5500/M6300,A1050,T1. | 1    | SNA    |
| ..3   |       | BN63-15595B | COVER-TERMINAL SIDE;40M5000,HIPS,T1.5,HB | 1    | SA     |
| ..3   |       | BN97-14470A | ASSY DRM;KANT-S N5300,HDCP               | 1    | SNA    |
| ...4  |       | BN46-00109H | KEY CODE-CERTIFICATION;MAC,TV/AV,General | 1    | SNA    |

Exploded Views and Parts List

| Level | Loc.  | Part Code   | Description & Specification              | Qty. | SA/SNA |
|-------|-------|-------------|--|------|--------|
| ...4  |       | BN46-00110P | KEY CODE-CERTIFICATION;MIRACAST(HDCP2.2) | 1    | SNA    |
| ...4  |       | BN46-00642A | KEY CODE-CERTIFICATION;KANT-S,Nagra CSC  | 1    | SNA    |
| ...4  |       | BN46-00860A | KEY CODE-CERTIFICATION;CI+1.4,KANTS(CI+  | 1    | SNA    |
| ...3  |       | BN97-15879B | ASSY SMD;TV                              | 1    | SNA    |
| ...4  |       | 0202-001976 | SOLDER-CREAM;LST-309M-K21,D20~38um,96.5S | 4    | SNA    |
| ...4  | DS01A | 0401-001056 | DIODE-SWITCHING;MMBD4148SE,100V,200mA,SO | 1    | SA     |
| ...4  | DS01A | 0401-001099 | DIODE-SWITCHING;1N4148WS,75V,150mA,SOD-3 | 1    | SA     |
| ...4  | DS01A | 0401-001116 | DIODE-SWITCHING;BAV99DW,75V,215mA,SOT-36 | 2    | SA     |
| ...4  | DS01A | 0401-001166 | DIODE-SWITCHING;BAV20WS-V,200V,250mA,SOD | 2    | SA     |
| ...4  | DR01A | 0402-002006 | DIODE-RECTIFIER;SBR6100CTL,100V,6A,TO-25 | 1    | SA     |
| ...4  |       | 0403-001411 | DIODE-ZENER;BZT52-B5V6S,5.49~5.73V,200mW | 1    | SA     |
| ...4  |       | 0403-001785 | DIODE-ZENER;NZH5V1B,4.94~5.2V,500mW,SOD- | 1    | SA     |
| ...4  |       | 0404-001307 | DIODE-SCHOTTKY;SSC54,40V,5000mA,DO-214AB | 1    | SA     |
| ...4  |       | 0404-001404 | DIODE-SCHOTTKY;BAT721C,40V,200mA,SOT-23, | 3    | SA     |
| ...4  |       | 0406-001200 | DIODE-TVS;RClamp0504F,6V,1MAV,TP         | 2    | SA     |
| ...4  |       | 0406-001635 | DIODE-TVS;SMF5.0A,6.4V,6.7V,7V,200MAV,20 | 1    | SA     |
| ...4  |       | 0406-001778 | DIODE-TVS;PUSB3FR4,6V,9V,0.2MAV,0.7VPA,0 | 5    | SA     |
| ...4  |       | 0501-000445 | TR-SMALL SIGNAL;KTC3875S-Y,NPN,150mW,SOT | 4    | SC     |
| ...4  |       | 0504-000126 | TR-DIGITAL;KSR1101,NPN,200mW,4.7K/4.7K,S | 1    | SA     |
| ...4  |       | 0505-002560 | FET-SILICON;AO6415,P,20V,-3.3A,0.15ohm,1 | 1    | SA     |
| ...4  |       | 0505-002598 | FET-SILICON;AP2317GN,P,20V,-4.2A,0.052oh | 3    | SA     |
| ...4  |       | 0505-003224 | FET-SILICON;AO6405,P,30V,-5A,0.052ohm,2W | 1    | SA     |
| ...4  |       | 0505-003397 | FET-SILICON;2N7002K,N,60V,0.38A,1.19ohm, | 7    | SA     |
| ...4  |       | 0505-003620 | FET-SILICON;AOD4286,N,100V,14A,55.5mohm, | 1    | SA     |
| ...4  |       | 0801-003603 | IC-CMOS LOGIC;MC74LCX244MN2TWG,Octal buf | 1    | SA     |
| ...4  |       | 0801-003604 | IC-CMOS LOGIC;NL17SZ17DFT2G,SC-70,5P,TP, | 1    | SA     |
| ...4  |       | 1001-001545 | IC-ANALOG MULTIPLEX;TS3USB221ERSER,R-PQF | 1    | SA     |
| ...4  |       | 1103-001584 | IC-EEPROM;M24512-DFMN6TP,512Kbit,64K x 8 | 1    | SNA    |
| ...4  |       | 1105-002681 | IC-DDR3 SDRAM;H5TQ4G63CFR,DDR3 1866,4Gbi | 1    | SA     |
| ...4  |       | 1105-002755 | IC-DDR3 SDRAM;H5TQ2G63GFR,2Gbit,128Mx16, | 1    | SA     |
| ...4  |       | 1201-003690 | IC-AUDIO AMP;TAS5747PHPR,QFP,48P,DUAL,PL | 1    | SA     |
| ...4  |       | 1203-004363 | IC-VOL. DETECTOR;SOT-23,3Z30,2.9x1.6mm,P | 1    | SA     |
| ...4  |       | 1203-006130 | IC-POSI.FIXED REG.;S-1172B25-U5T1G,SOT-8 | 1    | SA     |
| ...4  |       | 1203-008030 | IC-DC/DC CONVERTER;TPS54531DDA,SO PowerP | 1    | SA     |
| ...4  |       | 1203-008104 | IC-POSI.FIXED REG.;S-13A1D18-E800,HSOP,8 | 1    | SNA    |
| ...4  |       | 1203-008105 | IC-POSI.FIXED REG.;S-13A1D33-E800,HSOP,8 | 1    | SNA    |
| ...4  |       | 1203-008392 | IC-VOL. DETECTOR;S-6414AAB-L800X,TSOT-23 | 1    | SA     |
| ...4  |       | 1203-008393 | IC-DDR TERMINATION REG.;AP2303MTR-G1-89, | 1    | SA     |
| ...4  |       | 1203-008728 | IC-BACKLIGHT DRIVER;BD9413F,SOP,18P,11.2 | 1    | SA     |
| ...4  |       | 1203-008734 | IC-DC/DC CONVERTER;RT6214,TSOT-23,6,3x1. | 2    | SA     |

| Level | Loc. | Part Code   | Description & Specification              | Qty. | SA/SNA |
|-------|------|-------------|--|------|--------|
| ...4  |      | 1203-008919 | IC-DC/DC CONVERTER;SYD104AADC,TSOT23,6P, | 1    | SA     |
| ...4  |      | 1203-008921 | IC-DC/DC CONVERTER;SYU236ARAC,QFN,20P,3x | 1    | SA     |
| ...4  |      | 1204-003739 | IC-DECODER;SDP1604(NagSam),HS-LFBGA,576P | 1    | SA     |
| ...4  |      | 1205-005519 | IC-SWITCH;ET20163,SOT23-5,5P,2.95x3.02mm | 2    | SA     |
| ...4  |      | 1405-001232 | VARISTOR;6.4V,5.6VDC,30A,1608,TP,19V,200 | 4    | SNA    |
| ...4  |      | 1405-001271 | VARISTOR;35V,20VDC,5A,1005,TP,100V,10pF  | 14   | SA     |
| ...4  |      | 1405-001381 | VARISTOR;11V,8VDC,30A,1608,TP,25V,500pF  | 2    | SA     |
| ...4  |      | 2007-000039 | R-CHIP;0ohm,1%,1/10W,TP,1608             | 4    | SA     |
| ...4  |      | 2007-000060 | R-CHIP;100Kohm,1%,1/10W,TP,1608          | 1    | SNA    |
| ...4  |      | 2007-000070 | R-CHIP;0ohm,5%,1/10W,TP,1608,T0.45       | 2    | SA     |
| ...4  |      | 2007-000137 | R-CHIP;2Kohm,5%,1/16W,TP,1005            | 10   | SNA    |
| ...4  |      | 2007-000138 | R-CHIP;100ohm,5%,1/16W,TP,1005,T0.35     | 29   | SA     |
| ...4  |      | 2007-000143 | R-CHIP;4.7Kohm,5%,1/16W,TP,1005,T0.35    | 49   | SNA    |
| ...4  |      | 2007-000148 | R-CHIP;10Kohm,5%,1/16W,TP,1005,T0.35     | 30   | SA     |
| ...4  |      | 2007-000153 | R-CHIP;22Kohm,5%,1/16W,TP,1005           | 3    | SNA    |
| ...4  |      | 2007-000171 | R-CHIP;0ohm,5%,1/16W,TP,1005,T0.35       | 29   | SNA    |
| ...4  |      | 2007-000172 | R-CHIP;10ohm,5%,1/16W,TP,1005,T0.35      | 2    | SNA    |
| ...4  |      | 2007-000173 | R-CHIP;22ohm,5%,1/16W,TP,1005,T0.35      | 12   | SNA    |
| ...4  |      | 2007-000309 | R-CHIP;10ohm,5%,1/10W,TP,1608            | 1    | SA     |
| ...4  |      | 2007-000475 | R-CHIP;1Mohm,1%,1/10W,TP,1608            | 1    | SA     |
| ...4  |      | 2007-000592 | R-CHIP;22ohm,1%,1/4W,TP,3216             | 1    | SA     |
| ...4  |      | 2007-000614 | R-CHIP;24Kohm,1%,1/10W,TP,1608           | 1    | SNA    |
| ...4  |      | 2007-000779 | R-CHIP;33ohm,1%,1/10W,TP,1608            | 4    | SA     |
| ...4  |      | 2007-000879 | R-CHIP;4.7ohm,1%,1/10W,TP,1608           | 1    | SA     |
| ...4  |      | 2007-000932 | R-CHIP;470ohm,5%,1/16W,TP,1005,T0.35     | 4    | SNA    |
| ...4  |      | 2007-001042 | R-CHIP;56ohm,1%,1/10W,TP,1608            | 1    | SNA    |
| ...4  |      | 2007-001288 | R-CHIP;18ohm,5%,1/16W,TP,1005,T0.35      | 4    | SA     |
| ...4  |      | 2007-001292 | R-CHIP;33ohm,5%,1/16W,TP,1005,T0.35      | 17   | SNA    |
| ...4  |      | 2007-001298 | R-CHIP;51ohm,5%,1/16W,TP,1005,T0.35      | 1    | SNA    |
| ...4  |      | 2007-001323 | R-CHIP;3Kohm,5%,1/16W,TP,1005            | 1    | SA     |
| ...4  |      | 2007-002749 | R-CHIP;3.3ohm,5%,1/4W,TP,3216            | 2    | SNA    |
| ...4  |      | 2007-002906 | R-CHIP;200Kohm,1%,1/10W,TP,1608          | 2    | SA     |
| ...4  |      | 2007-003022 | R-CHIP;62ohm,5%,1/16W,TP,1005,T0.35      | 24   | SNA    |
| ...4  |      | 2007-007107 | R-CHIP;100Kohm,1%,1/16W,TP,1005,T0.25    | 21   | SNA    |
| ...4  |      | 2007-007134 | R-CHIP;39Kohm,1%,1/16W,TP,1005,T0.35     | 1    | SA     |
| ...4  |      | 2007-007135 | R-CHIP;18Kohm,1%,1/16W,TP,1005,T0.35     | 3    | SNA    |
| ...4  |      | 2007-007137 | R-CHIP;1.2Kohm,1%,1/16W,TP,1005,T0.35    | 2    | SA     |
| ...4  |      | 2007-007138 | R-CHIP;27Kohm,1%,1/16W,TP,1005,T0.35     | 1    | SA     |
| ...4  |      | 2007-007139 | R-CHIP;47Kohm,1%,1/16W,TP,1005,T0.35     | 6    | SA     |
| ...4  |      | 2007-007142 | R-CHIP;10Kohm,1%,1/16W,TP,1005,T0.35     | 6    | SNA    |

Exploded Views and Parts List

| Level | Loc.  | Part Code   | Description & Specification              | Qty. | SA/SNA |
|-------|-------|-------------|--|------|--------|
| ...4  |       | 2007-007156 | R-CHIP;1ohm,5%,1/16W,TP,1005,T0.35       | 2    | SNA    |
| ...4  |       | 2007-007309 | R-CHIP;12Kohm,1%,1/16W,TP,1005,T0.35     | 6    | SA     |
| ...4  |       | 2007-007311 | R-CHIP;22Kohm,1%,1/16W,TP,1005,T0.35     | 8    | SA     |
| ...4  |       | 2007-007312 | R-CHIP;20Kohm,1%,1/16W,TP,1005,T0.35     | 1    | SA     |
| ...4  |       | 2007-007316 | R-CHIP;3.3Kohm,1%,1/16W,TP,1005,T0.35    | 1    | SA     |
| ...4  |       | 2007-007318 | R-CHIP;1Kohm,1%,1/16W,TP,1005,T0.35      | 28   | SNA    |
| ...4  |       | 2007-007334 | R-CHIP;200Kohm,1%,1/16W,TP,1005,T0.35    | 7    | SNA    |
| ...4  |       | 2007-007382 | R-CHIP;20Mohm,5%,1/10W,TP,1608           | 1    | SNA    |
| ...4  |       | 2007-007405 | R-CHIP;560ohm,1%,1/16W,TP,1005,T0.35     | 2    | SA     |
| ...4  |       | 2007-007443 | R-CHIP;3.01Kohm,1%,1/10W,TP,1608         | 1    | SA     |
| ...4  |       | 2007-007470 | R-CHIP;7.5Kohm,1%,1/16W,TP,1005,T0.35    | 1    | SNA    |
| ...4  |       | 2007-007517 | R-CHIP;240ohm,1%,1/16W,TP,1005,T0.35     | 4    | SNA    |
| ...4  |       | 2007-007526 | R-CHIP;23.7Kohm,1%,1/10W,TP,1608         | 1    | SA     |
| ...4  |       | 2007-007528 | R-CHIP;1.5Kohm,1%,1/16W,TP,1005,T0.35    | 2    | SA     |
| ...4  |       | 2007-007538 | R-CHIP;56Kohm,1%,1/16W,TP,1005,T0.35     | 1    | SA     |
| ...4  |       | 2007-008015 | R-CHIP;75ohm,1%,1/16W,TP,1005,T0.35      | 3    | SA     |
| ...4  |       | 2007-008035 | R-CHIP;160Kohm,1%,1/10W,TP,1608          | 1    | SA     |
| ...4  |       | 2007-008136 | R-CHIP;36Kohm,1%,1/16W,TP,1005           | 2    | SA     |
| ...4  |       | 2007-008137 | R-CHIP;24Kohm,1%,1/16W,TP,1005,T0.35     | 1    | SNA    |
| ...4  |       | 2007-008167 | R-CHIP;120Kohm,1%,1/16W,TP,1005,T0.35    | 2    | SC     |
| ...4  |       | 2007-008263 | R-CHIP;3Kohm,1%,1/16W,TP,1005,T0.35      | 1    | SA     |
| ...4  |       | 2007-008269 | R-CHIP;51Kohm,1%,1/16W,TP,1005           | 2    | SNA    |
| ...4  |       | 2007-008517 | R-CHIP;240Kohm,1%,1/16W,TP,1005,T0.35    | 1    | SA     |
| ...4  |       | 2007-008720 | R-CHIP;4.7ohm,1%,1/4W,TP,3216            | 4    | SNA    |
| ...4  |       | 2007-008779 | R-CHIP;0ohm,1%,1/16W,TP,1005             | 1    | SA     |
| ...4  |       | 2007-009234 | R-CHIP;0.47ohm,1%,1/4W,TP,3216           | 4    | SNA    |
| ...4  |       | 2011-000686 | R-NETWORK;56ohm,5%,1/16W,L,CHIP,8P,TP,3. | 2    | SA     |
| ...4  |       | 2011-001261 | R-NETWORK;33ohm,5%,1/16W,L,CHIP,8P,TP,2. | 2    | SA     |
| ...4  |       | 2011-001344 | R-NETWORK;100ohm,5%,1/16W,L,CHIP,8P,TP,2 | 2    | SA     |
| ...4  |       | 2011-001345 | R-NETWORK;10Kohm,5%,1/16W,L,CHIP,8P,TP,2 | 2    | SA     |
| ...4  | AD480 | 2203-000138 | C-CER,CHIP;1.5nF,10%,50V,X7R,TP,1005     | 1    | SNA    |
| ...4  | AD480 | 2203-000233 | C-CER,CHIP;0.1nF,5%,50V,C0G,TP,1005,T0.5 | 4    | SA     |
| ...4  | AD480 | 2203-000278 | C-CER,CHIP;0.01nF,0.5pF,50V,C0G,TP,1005  | 4    | SA     |
| ...4  | AD480 | 2203-000311 | C-CER,CHIP;0.12nF,5%,50V,C0G,TP,1005     | 1    | SA     |
| ...4  | AD480 | 2203-000359 | C-CER,CHIP;0.15nF,5%,50V,C0G,TP,1005,T0. | 3    | SA     |
| ...4  | AD480 | 2203-000438 | C-CER,CHIP;1nF,10%,50V,X7R,TP,1005       | 11   | SA     |
| ...4  | AD480 | 2203-000489 | C-CER,CHIP;2.2nF,10%,50V,X7R,TP,1005     | 1    | SA     |
| ...4  | AD480 | 2203-000585 | C-CER,CHIP;0.22nF,10%,50V,X7R,TP,1005    | 2    | SA     |
| ...4  | AD480 | 2203-000627 | C-CER,CHIP;0.022nF,5%,50V,C0G,TP,1005    | 3    | SNA    |
| ...4  | AD480 | 2203-000679 | C-CER,CHIP;0.027nF,5%,50V,C0G,TP,1005    | 3    | SNA    |

| Level | Loc.  | Part Code   | Description & Specification              | Qty. | SA/SNA |
|-------|-------|-------------|--|------|--------|
| ...4  | AD480 | 2203-000714 | C-CER,CHIP;3.3nF,10%,50V,X7R,TP,1005     | 2    | SA     |
| ...4  | AD480 | 2203-000726 | C-CER,CHIP;3.9nF,10%,50V,X7R,TP,1608     | 3    | SA     |
| ...4  | AD480 | 2203-000812 | C-CER,CHIP;0.033nF,5%,50V,C0G,TP,1005    | 1    | SA     |
| ...4  | AD480 | 2203-000940 | C-CER,CHIP;0.47nF,10%,50V,X7R,TP,1005,T0 | 4    | SA     |
| ...4  | AD480 | 2203-000995 | C-CER,CHIP;0.047nF,5%,50V,C0G,TP,1005    | 2    | SA     |
| ...4  | AD480 | 2203-001124 | C-CER,CHIP;0.68nF,10%,50V,X7R,TP,1005    | 1    | SNA    |
| ...4  | AD480 | 2203-001412 | C-CER,CHIP;0.03nF,5%,50V,C0G,TP,1005     | 3    | SNA    |
| ...4  | AD480 | 2203-002285 | C-CER,CHIP;10nF,10%,50V,X7R,TP,1005      | 11   | SNA    |
| ...4  | AD480 | 2203-003019 | C-CER,CHIP;8.2nF,10%,50V,X7R,TP,1005     | 1    | SNA    |
| ...4  | AD480 | 2203-005083 | C-CER,CHIP;220nF,10%,50V,X7R,TP,1608,T0. | 6    | SA     |
| ...4  | AD480 | 2203-005249 | C-CER,CHIP;100nF,10%,50V,X7R,TP,1608     | 3    | SNA    |
| ...4  | AD480 | 2203-005968 | C-CER,CHIP;4.7nF,10%,50V,X7R,TP,1005,T0. | 2    | SNA    |
| ...4  | AD480 | 2203-006048 | C-CER,CHIP;100nF,10%,10V,X7R,TP,1005,T0. | 116  | SA     |
| ...4  | AD480 | 2203-006126 | C-CER,CHIP;47nF,10%,16V,X7R,TP,1005,T0.5 | 12   | SNA    |
| ...4  | AD480 | 2203-006324 | C-CER,CHIP;2200nF,10%,10V,X5R,TP,1608    | 2    | SA     |
| ...4  | AD480 | 2203-006348 | C-CER,CHIP;1000nF,10%,25V,X5R,TP,1608,T0 | 6    | SA     |
| ...4  | AD480 | 2203-006562 | C-CER,CHIP;1000nF,10%,10V,X5R,TP,1005,T0 | 7    | SNA    |
| ...4  | AD480 | 2203-006824 | C-CER,CHIP;4700nF,10%,10V,X5R,TP,1608,T0 | 4    | SNA    |
| ...4  | AD480 | 2203-006838 | C-CER,CHIP;2200nF,10%,6.3V,X5R,TP,1005   | 12   | SA     |
| ...4  | AD480 | 2203-006890 | C-CER,CHIP;10000nF,20%,6.3V,X5R,TP,1608  | 30   | SA     |
| ...4  | AD480 | 2203-007176 | C-CER,CHIP;10000nF,10%,16V,X5R,TP,2012,T | 4    | SNA    |
| ...4  | AD480 | 2203-007240 | C-CER,CHIP;22000nF,20%,6.3V,X5R,TP,1608, | 12   | SA     |
| ...4  | AD480 | 2203-007269 | C-CER,CHIP;22000nF,20%,10V,X5R,TP,2012(2 | 9    | SA     |
| ...4  | AD480 | 2203-007270 | C-CER,CHIP;10000nF,10%,10V,X5R,TP,1608,T | 7    | SNA    |
| ...4  | AD480 | 2203-007306 | C-CER,CHIP;10000nF,10%,25V,X5R,TP,2012,T | 7    | SNA    |
| ...4  | AD480 | 2203-007486 | C-CER,CHIP;1000nF,10%,50V,X5R,TP,1608    | 1    | SNA    |
| ...4  | AD480 | 2203-007544 | C-CER,CHIP;100nF,10%,50V,X7R,TP,1005,T0. | 9    | SA     |
| ...4  | AD480 | 2203-008096 | C-CER,CHIP;2200nF,10%,50V,X5R,TP,2012,1. | 3    | SA     |
| ...4  | AD480 | 2203-008315 | C-CER,CHIP;22000nF,20%,25V,X5R,TP,2012,T | 8    | SA     |
| ...4  | AD480 | 2203-009740 | C-CER,CHIP;1000nF,10%,100V,X7R,TP,3216,T | 2    | SA     |
| ...4  |       | 2402-001268 | C-AL,SMD;100uF,20%,25V,WT,TP,8x6.3mm     | 1    | SA     |
| ...4  |       | 2402-001276 | C-AL,SMD;47uF,20%,35V,TP,6.6x6.6x5.8mm   | 1    | SNA    |
| ...4  |       | 2409-001338 | C-POLYMER ,CHIP;47uF,20%,6.3V,TP,3.2x1.6 | 2    | SA     |
| ...4  |       | 2703-000213 | INDUCTOR-SMD;470nH,10%,1.35Ohm,35mA,15,M | 1    | SA     |
| ...4  |       | 2703-002269 | INDUCTOR-SMD;56nH,5%,1005,T0.5,1.4Ohm,15 | 2    | SA     |
| ...4  |       | 2703-003149 | INDUCTOR-SMD;2.2uH,20%,0.055Ohm,3000mA,W | 1    | SA     |
| ...4  |       | 2703-003790 | INDUCTOR-SMD;4.7uH,20%,8080,0.025Ohm,450 | 1    | SA     |
| ...4  |       | 2703-004575 | INDUCTOR-SMD;22uH,20%,16x15mm,T8.5,0.045 | 1    | SNA    |
| ...4  |       | 2703-004724 | INDUCTOR-SMD;8.2uH,20%,5050,T4,0.072Ohm, | 4    | SA     |
| ...4  |       | 2703-005191 | INDUCTOR-SMD;1.5uH,20%,6060,T4.5,0.02Ohm | 1    | SA     |

Exploded Views and Parts List

| Level | Loc.     | Part Code   | Description & Specification              | Qty. | SA/SNA |
|-------|----------|-------------|--|------|--------|
| ...4  |          | 2703-005192 | INDUCTOR-SMD;4.7uH,20%,6060,T4.5,0.036Oh | 2    | SA     |
| ...4  |          | 2801-003773 | CRYSTAL-SMD;12MHz,30ppm,28-AAN,20pF,50Oh | 1    | SA     |
| ...4  |          | 3301-000314 | BEAD-SMD;120ohm,1608,TP,120ohm/100MHz    | 1    | SNA    |
| ...4  |          | 3301-001364 | BEAD-SMD;1000ohm,1608,TP,1085ohm/108MHz, | 5    | SNA    |
| ...4  |          | 3301-002039 | BEAD-SMD;26ohm,1608,TP                   | 25   | SA     |
| ...4  |          | 3301-002315 | BEAD-SMD;120ohm,3216,TP                  | 1    | SNA    |
| ...4  |          | 3601-001374 | FUSE-SURFACE MOUNT;32V,5A,FAST-ACTING,PL | 2    | SA     |
| ...4  |          | 3701-001967 | CONNECTOR-HDMI;19P,A,FEMALE,AU,0.5mm,BLK | 2    | SA     |
| ...4  |          | 3707-001106 | CONNECTOR-OPTICAL;STRAIGHT,SPDIF,2.5PI   | 1    | SA     |
| ...4  |          | 3708-001150 | CONNECTOR-FPC/FFC/PIC;30P,1mm,SMD-A,SN,Y | 1    | SA     |
| ...4  |          | 3709-001782 | CONNECTOR-CARD SLOT;68P,1.27mm,ANGLE,AU, | 1    | SA     |
| ...4  |          | 3711-007776 | CONNECTOR-HEADER;BOX,8P,1R,1.25mm,SMD-A, | 1    | SA     |
| ...4  | EH01     | 3711-008131 | HEADER-BOARD TO CABLE;BOX,4P,1R,2.5mm,AN | 1    | SA     |
| ...4  | EH01     | 3711-008690 | HEADER-BOARD TO CABLE;BOX,8P,1R,2.5mm,AN | 1    | SA     |
| ...4  |          | 3711-009090 | CONNECTOR-HEADER;BOX,16P,1R,1.25mm,SMD-A | 1    | SA     |
| ...4  |          | 3722-003229 | JACK-MODULAR;8P/8C,Y,STRAIGHT,NONE,AU,1P | 1    | SA     |
| ...4  |          | 3722-003322 | JACK-DC POWER;6P/4C,4PI,SN/PB,BLK,12.4x1 | 1    | SA     |
| ...4  |          | 3722-003457 | JACK-USB;4P/1C,NI,BLK,ANGLE,A,2.0,13.1x1 | 1    | SA     |
| ...4  | JACK PIN | 3722-003546 | JACK-PIN;5P,NI/SN,BLU/GRN/RED/WHT/YEL,SM | 1    | SA     |
| ...4  |          | 6302-001376 | GASKET-SMD;SMT Gasket,Sn/Cu plated PI-Fi | 7    | SNA    |
| ...4  |          | BN40-00330B | TUNER-DTV AIR CABLE;GTTH-7A11,DVB-TC,38. | 1    | SA     |
| ...4  |          | BN41-02663A | PCB-MAIN;N5300,FR-4,4L,T1.2,144.5x214mm, | 1    | SNA    |
| ...4  | CB07     | BN61-13312B | BRACKET-SCREWLESS PCB;55KS8000,SK5,T0.3, | 4    | SNA    |
| ...4  |          | BN97-14483A | ASSY MICOM-SUB;T-KTSNINTV-0005_D,UN5300/ | 1    | SNA    |
| ...5  |          | 1107-002226 | IC-NOR FLASH;W25Q40CLSSIP,4Mbit,SOIC,8P, | 1    | SA     |
| ...4  |          | BN97-14485A | ASSY MICOM-MAIN;T-KTSNDEUC-0725.1,UN5500 | 1    | SNA    |
| ...5  |          | 1107-002505 | IC-EMMC;THGBMDG5D1LBAIT,4Gbyte,x1,WFBGA, | 1    | SA     |
| 1     |          | BN92-23282A | ASSY P/MATERIAL;4K                       | 1    | SNA    |
| .2    |          | 6902-002732 | BAG ROLL;HDPE/PE FOAM,T0.015/T0.5,W1000, | 1    | SNA    |
| .2    |          | 6922-000013 | BAND;PP,T0.8,W18,L2300 M,TRP             | 0    | SNA    |
| .2    |          | 6932-000004 | WRAP;T0.023,W750,L1000m,non stretched fi | 1    | SNA    |
| .2    |          | BN69-17449J | PAD PACKING;LED,PAPER,T3,W50X50,L2600,YE | 0    | SNA    |
| .2    |          | BN69-17970A | CUSHION-SET;32UN5000,EPS,16.7g/l,WHITE,W | 1    | SNA    |
| ...3  |          | 0103-005099 | RESIN EPS;BASF303,Natural,Natural        | 186  | SNA    |
| .2    |          | BN69-18343A | PALLET-WOODEN;UE32N5000,WOOD,W880,L1130, | 0    | SNA    |
| .2    |          | BN74-00008D | TAPE-SINGLE FACE;OPP,T0.05,W75,L800M,CLE | 1    | SNA    |
| .2    |          | BN74-00008N | TAPE-SINGLE FACE;Acryl,#313,T0.065,W60,L | 1    | SNA    |
| 1     | ACCE1    | BN92-24356Y | ASSY ACCESSORY;TV                        | 1    | SNA    |
| .2    | P001A    | BN44-00838A | DC VSS(A);A5919_FSM,DC19V,AC100-240V,50- | 1    | SA     |
| .2    |          | BN96-46721M | ASSY ACCESSORY MANUAL CABLE;UE32N4300AKX | 1    | SNA    |



| Level | Loc.  | Part Code   | Description & Specification              | Qty. | SA/SNA |
|-------|-------|-------------|--|------|--------|
| ..3   | T0268 | 3903-001118 | POWER CORD-DT;EUR,2P-F,250V,2.5A,BLK,L15 | 1    | SA     |
| ..3   |       | 4301-000121 | BATTERY-MN;1.5V,R03,10.5x44.5m,7.5g,AAA  | 2    | SNA    |
| ..3   |       | 6902-001962 | BAG PE;LDPE,BIOBASED,T0.05,W400,L300,TRP | 1    | SNA    |
| ..3   |       | BN59-01303A | REMOCON-TV;2018 TV,SAMSUNG,44KEY,3V,EURO | 1    | SA     |
| ..3   |       | BN68-00514K | LEAFLET-WARRANTY;comm,Samsung,W.Europe,W | 1    | SNA    |
| ..3   |       | BN68-02989A | LABEL ETC;ALL MODEL,ALL,ART,W65,L30,65X3 | 1    | SNA    |
| ..3   |       | BN68-07598A | LEAFLET-REGULATORY GUIDE;QT/UT/LFD/LM/HD | 1    | SNA    |
| ..3   |       | BN68-08114Q | LEAFLET-REGULATORY GUIDE;QT/UT,W/W,MOJO, | 1    | SNA    |
| ..3   |       | BN68-09067R | MANUAL USERS;UE32N4300AK,XC,EUROPE,MOJO, | 1    | SNA    |
| 1     |       | BN92-24592X | ASSY BOX;TV                              | 1    | SNA    |
| .2    |       | BH68-00662A | LABEL BOX;ALL,ART,W60,L110,WHT,NO SILK,9 | 1    | SNA    |
| .2    |       | BN69-19621A | BOX UNIT;32N4300,CB,SW4,F1,L869,W117,H47 | 1    | SNA    |
| 1     |       | BN92-24755R | ASSY LABEL;TV                            | 1    | SNA    |
| .2    |       | BN68-06708G | LABEL-RATING;Monitor,WW,PP,T0.161,W93,L7 | 1    | SNA    |
| .2    |       | BN68-07519B | LABEL-ENERGY;ALL JORDAN,WW,PP,T0.135,W60 | 1    | SNA    |
| .2    |       | BN68-09071K | LEAFLET-QUICK SETUP GUIDE;UE32N5300AK,Ot | 1    | SNA    |