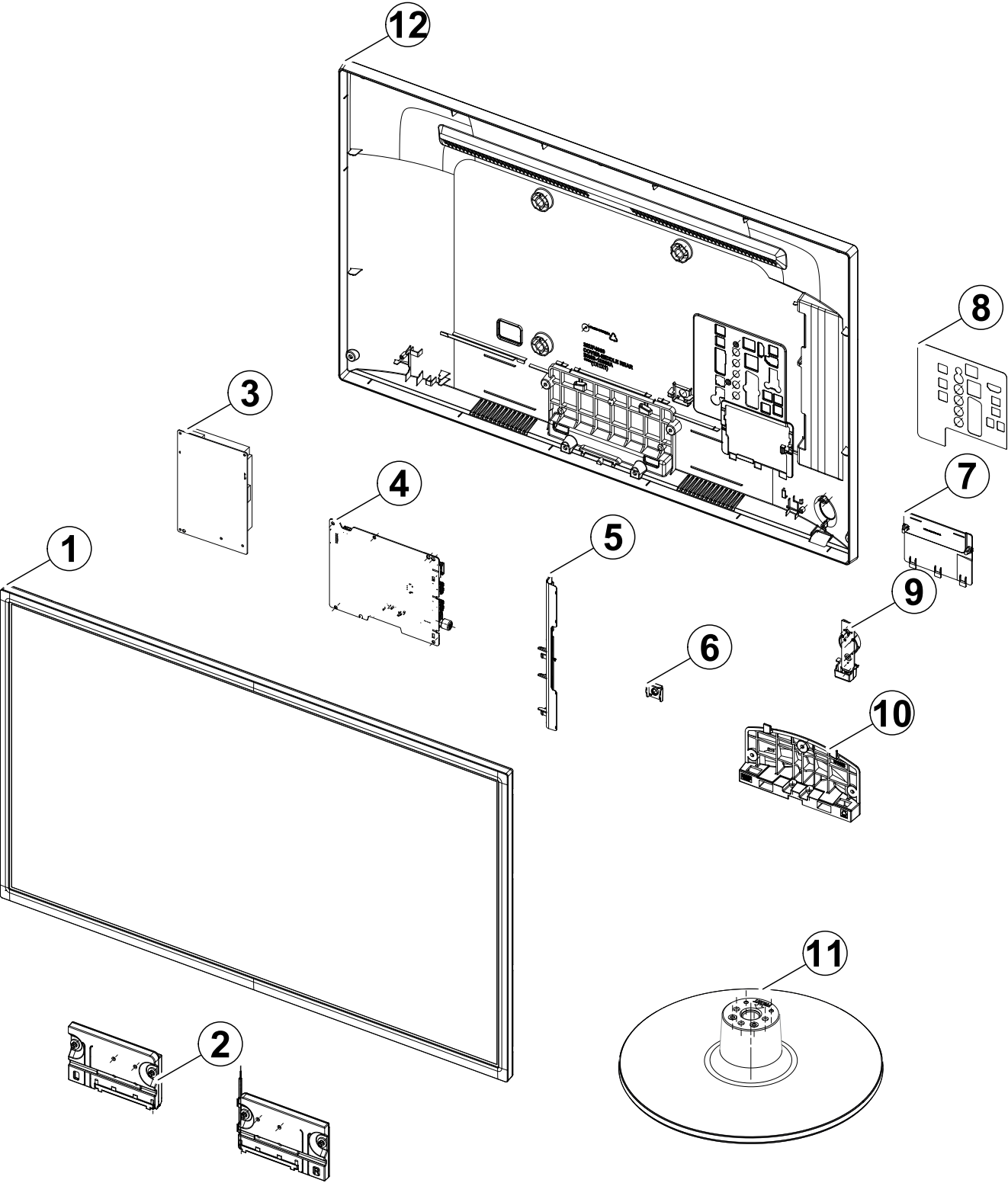


1. Exploded View & Part List

Exploded View



Parts List

No.	Lvl.	Loc.	Material Code	Description & Specification	SNA	Qty.
1	2	PANEL	BN95-01108A	PRODUCT LCD-SHARP; LK315T3HB7K,CY-HF320AG	SA	1
2	2	SP01A	BN96-25568A	ASSY SPEAKER P; 6ohm,10W,Enclosure_F4k	SA	1
3	2	P001A	BN44-00604F	DC VSS-LED TV PD BD; L32S0E_DHS,L32S0E_DH	SA	1
4	2	M0014	BN94-06627B	ASSY PCB MAIN; UF4B,F40*0 (32" EU)	SA	1
5	2		BN61-09059B	HOLDER-SIDE AV; UF4000(1-TUNER),ABS+PC,GY	SNA	1
6	3	CB20	BN61-08819A	BRACKET-WALL; UF6100 32",SECC,T1.2	SNA	1
7	2	FC05	BN63-10206L	COVER-JACK; UF4000,32,PC+ABS,GY0275,V0	SNA	1
8	3	T0071	BN64-02224B	INLAY-TERMINAL; F4000/F5000,PS SHEET,T0.5	SNA	1
9	3	FB01A	BN96-26402B	ASSY BOARD P-JOG SWITCH & IR; UE32F4000,F	SA	1
10	2	SG03	BN61-08775B	GUIDE-STAND; UF4000,32,PC+G/F20%,V2,GY027	SA	1
11	2	SB04A	BN96-26470B	ASSY STAND P-BASE; UF4000,28/32,EO,ABS+PC	SA	1
12	2	MR01A	BN96-28509P	ASSY COVER P-MIDDLE REAR; UF4000,32,EO,PC	SA	1

2. Electrical Parts List

Level	Loc.	Part Code	Description & Specification	Qty.	SA/SNA
			UE32F4000AWXZG (HH08)		
1	S001A	BN90-04433B	ASSY STAND;UF4000,32,ROUND-STAND	1	SNA
.2	SG03	BN61-08775B	GUIDE-STAND;UF4000,32,PC+G/F20%,V2,GY027	1	SA
..3		0103-009978	RESIN-PC;G720/GY415,Gray,GY0274,V2	124	SNA
.2	SB04A	BN96-26470B	ASSY STAND P-BASE;UF4000,28/32,EO,ABS+PC	1	SA
..3		BN63-10390B	COVER-STAND BASE;UF4000,28/32,ABS+PC,V0,	1	SNA
...4		0103-005041	RESIN-PC;FR3200TV,901408,BK0008,1.2mm V-	233	SNA
..3		BN67-00306K	RUBBER-LEG;F4000,TPE,13x13x4;6,GRY	4	SNA
1		BN90-04564A	ASSY W/I;UF4B,U32FB*	1	SNA
.2		BN81-08159B	PART SET-MECH W/I;UF4B,U32FB*	1	SNA
.2		BN81-08159Z	PART SET-ELEC W/I;UF4* ~ UF8* ELEC	1	SNA
1		BN90-04921B	ASSY COVER MIDDLE-REAR;UF4000,32	1	SNA
.2		6001-002755	SCREW-MACHINE;BH,+,M3,L6,ZPC(BLK),SWRCH1	2	SA
.2	SCREW	6003-001782	SCREW-TAPTYPE;BH,+,B,M4,L12,ZPC(BLK),SWR	8	SA
.2	MR01A	BN96-28509P	ASSY COVER P-MIDDLE REAR;UF4000,32,EO,PC	1	SA
..3		0203-001598	TAPE-FILAMENT;#8915,0.15,12,55000,CLR	0	SNA
..3	SCREW	6003-000115	SCREW-TAPTYPE;BH,+,B,M3,L6,ZPC(BLK),SWRC	2	SA
..3	CB20	BN61-08819A	BRACKET-WALL;UF6100 32",SECC,T1.2	1	SNA
..3		BN63-07556T	COVER-SHEET;TOC,urethane,T0.068,W22mm,10	2	SNA
..3		BN63-10851A	SHEET-COVER;UF5000,PET,0.145,16,BLACK	2	SNA
..3		BN63-11060B	COVER-MIDDLE REAR;UF4000,32,PC+ABS-GF15F	1	SNA
...4		0103-009931	RESIN-PC ABS;HM-1150S,GRAY,GY0274,V1	1055	SNA
..3	T0071	BN64-02224B	INLAY-TERMINAL;F4000/F5000,PS SHEET,T0.5	1	SNA
..3		BN68-04709G	LABEL-TERMINAL SIDE;UF4000,EO/CIS T2C,PE	1	SNA
..3	FB01A	BN96-26402B	ASSY BOARD P-JOG SWITCH & IR;UE32F4000,F	1	SA
...4	EC13	BN39-01764A	LEAD CONNECTOR;UE32F4000,Flat Connector	1	SNA
...4		BN96-26402A	ASSY BOARD P-JOG SWITCH & IR;UE32F4000,F	1	SNA
1		BN91-11062A	ASSY LCM-SHARP;BN95-01108A,CY-HF320AGSV1	1	SNA
.2	PANEL	BN95-01108A	PRODUCT LCD-SHARP;LK315T3HB7K,CY-HF320AG	1	SA
..3		6001-002757	SCREW-MACHINE;BH,+,M3,L4,ZPC(WHT),SWRCH1	4	SA
..3		BN68-02471A	LABEL-STICKER;WW,Art Paper,80,40,AV	1	SNA
..3		BN90-04958A	ASSY MISC-BLU;F-LED	1	SNA
...4		BN02-00152H	TAPE ETC-SHEET FIXING;Y13 Slim F-LED,PET	3	SNA
...4		BN61-08637A	LGP-DIFFUSER PLATE;32" Slim FLED_Diffus	1	SNA
...4		BN61-09304A	SUPPORT-PLATE;Y13 SLIM / VNB,PC,WHT + CL	4	SNA
....5		0103-005036	RESIN-PC;M2407,550115,TP0003	6	SNA
....5		0103-009493	RESIN-PC;LH-1070W,W92853,WT0107,V-2	10	SNA
...4		BN63-10448A	SHEET-DIFFUSER;32inch, S_NNB, Optical Sh	1	SNA

Exploded Views and Parts List

Level	Loc.	Part Code	Description & Specification	Qty.	SA/SNA
...4		BN63-11162A	SHEET-REFLECTOR;SY95-188,SHEET*,0.188,71	1	SNA
...4		BN96-27999A	ASSY MISC P-CHASSIS BOTTOM SHARP HD;Y13	1	SNA
....5		6001-002759	SCREW-MACHINE;CH,+,M3,L4,ZPC(BLK),SWRCH1	1	SA
....5		6001-003005	SCREW-MACHINE;BH,+,M3,L6,ZPC(WHT),SWRCH1	3	SNA
....5		BN02-00040C	TAPE DOUBLE FACE-D-PLATE;F-LED ALL,MKT50	2	SNA
....5		BN02-00043D	TAPE ETC-SHEET FIXING;Y13 slim F-LED,PET	2	SNA
....5		BN02-00134E	TAPE ETC-SHEET FIXING;SFLED 32/40/46/55/	6	SNA
....5		BN60-00792A	SPACER-SOURCE PCB GASKET;Y13 Slim F-LED,	3	SNA
....5		BN61-08161A	HOLDER-LED-PCB;Direct-LED,PC,white	1	SNA
....6		0103-009493	RESIN-PC;LH-1070W,W92853,WT0107,V-2	1	SNA
....5		BN61-09049A	BRACKET-WALL MOUNT;Y13 ALL Model,SPCC,T1	3	SNA
....5		BN61-09101A	SUPPORT-SOURCE PCB;SF-LED,ABS+PC,V0,GRAY	3	SNA
....6		0103-009930	RESIN-PC ABS;NH-1017SG,GRAY,GY0275,V0	6	SNA
....5		BN61-09552A	HOLDER-S-PCB SHARP HD;SHARP HD,ABS+PC,BL	2	SNA
....5		BN61-09552B	HOLDER-S-PCB SHARP HD R;SHARP HD R,ABS+P	2	SNA
....6		0103-005041	RESIN-PC;FR3200TV,901408,BK0008,1.2mm V-	4	SNA
....5		BN62-00338N	INSULATION-PD BOARD;Y13 SF-LED 32",PP-FI	1	SNA
....5		BN64-02402A	CHASSIS-BOTTOM SHARP HD;Y13 F-LED Slim 3	1	SNA
....5		BN96-28491A	ASSY BOARD P-LED INTERFACE B'D;32inch H	1	SNA
...4		BN96-28001A	ASSY FRAME P-MOLD MIDDLE SHARP HD;Y13 F-	1	SNA
....5		BN60-00700G	SPACER-PANEL (U);13 SF-LED 32,SILICON+TA	2	SNA
....5		BN60-00700Y	SPACER-PANEL(LR);13 S-LED 32 SHARP HD,SI	2	SNA
....5		BN60-00744A	SPACER-RUBBER;Y13 F-LED SLIM,SH-0140U+AT	2	SNA
....5		BN61-09550A	FRAME-MOLD MIDDLE 32 SHARP HD;Y13 F-LED	1	SNA
....6		0103-009559	RESIN-PC;210GNH15,6919A,BK0007,PC ABS GF	110	SNA
...4		BN96-28488A	ASSY MISC P-LED BAR;32inch Slim Direc LE	5	SNA
...3		BN96-26412A	ASSY OPEN CELL;LK315T3HB7K,1366*768,32"	1	SNA
...4		BN81-08941A	AS-DRIVER IC;DRIVER IC,S6C274J6,miniLVDS	1	SNA
...4		BN81-08943A	AS-GATE IC;GATE IC,LH163Y06,258ch, dot-i	1	SNA
...4		BN81-08945A	AS-POL-C/F;POLARIZER-C/F,PFILV1753TPXZ,A	1	SNA
...4		BN81-08947A	AS-POL-TFT;POLARIZER-TFT,PFILV1754TPZZ,P	1	SNA
...4		BN81-08951A	AS-SOURCE PCB;SOURCE PCB,DUNTK5415TPX0,3	1	SNA
...4		BN81-08952A	AS-SOURCE PCB;SOURCE PCB,RUNTK5414TPZZ,3	1	SNA
...3		BN96-28003A	ASSY MISC P-CHASSIS TOP SHARP HD;Y13 SF-	1	SNA
...4		BN02-00112A	TAPE ETC-ALL;POLYESTER,L65.8M,T0.009,W10	0	SNA
...4		BN60-00667A	SPACER-GASKET;Y13 SF-LED,GASKET(FG200A),	4	SNA
...4		BN60-00701A	SPACER-TOP,UD;Y13 Slim F-LED 32,GASKET*,	2	SNA
...4		BN60-00701B	SPACER-TOP,LR;Y13 Slim F-LED 32,GASKET*,	2	SNA
...4		BN60-00715B	SPACER-TOP CORNER;Y13 Slim F-LED,GASKET+	4	SNA
...4		BN63-10945B	COVER-SHEET;Y13 SF-LED,PO-SHEET,T0.068,W	2	SNA

Level	Loc.	Part Code	Description & Specification	Qty.	SA/SNA
...4		BN63-10945D	COVER-SHEET;Y13 SF-LED,PO-SHEET,T0.068,W	1	SNA
...4		BN64-02403A	CHASSIS-TOP SHARP HD;Y13 32" SHARP HD,PC	1	SNA
....5		0103-009559	RESIN-PC;210GNH15,6919A,BK0007,PC ABS GF	150	SNA
..3		BN96-28707A	ASSY MISC P-COVER SPCB SHARP HD;Y13 SF-L	1	SNA
...4		BN60-00792A	SPACER-SOURCE PCB GASKET;Y13 Slim F-LED,	2	SNA
...4		BN63-11087A	COVER-SOURCE PCB SHARP HD;Y13 SF-LED 32,	1	SNA
....5		0103-007797	RESIN-ABS;EA-0640,K2007,HB	24	SNA
..3	M0131	BP63-00788A	GASKET;HLS6187WX/XAA,Conductive Fabric,2	1	SNA
1	M0017	BN91-11313C	ASSY CHASSIS;UF4B.F4000(32"EU)	1	SNA
.2	M0014	BN94-06627B	ASSY PCB MAIN;UF4B,F40*0 (32" EU)	1	SA
..3		0202-001608	SOLDER-WIRE FLUX;LFC7-107,D0.8,99.3Sn/0.	0	SNA
..3		BN97-07021G	ASSY SMD;UF4B,F4000,F4000	1	SNA
...4		0202-001830	SOLDER-CREAM;LFM-48W TM-HP,D20~38um,96.5	6	SNA
...4	DS01A	0401-001056	DIODE-SWITCHING;MMBD4148SE,100V,200mA,SO	1	SA
...4		0403-001783	DIODE-ZENER;BZB84-C6V2,5.8/6.6V,300mW,SO	6	SNA
...4		0403-001785	DIODE-ZENER;NZH5V1B,4.94/5.2V,500mW,SOD-	1	SA
...4		0404-001404	DIODE-SCHOTTKY;BAT721C,40V,200mA,SOT-23,	2	SA
...4		0406-001200	DIODE-TVS;RCLAMP0504F,6/-/V,150W,SC-70	1	SA
...4		0501-000279	TR-SMALL SIGNAL;KSA1182-Y,PNP,150mW,SOT-	1	SA
...4		0501-000445	TR-SMALL SIGNAL;KTC3875S-Y,NPN,150mW,SOT	14	SC
...4		0505-000110	FET-SILICON;2N7002,N,60V,115mA,7.5ohm,0.	7	SA
...4		0505-002560	FET-SILICON;AO6415,P,-20V,-3.3A,0.15ohm,	1	SA
...4		0801-002630	IC-CMOS LOGIC;74AHCT1G08,2-INPUT AND GAT	1	SA
...4		0801-002780	IC-CMOS LOGIC;74LVC1G17,SCHMITT-TRIGGER	1	SA
...4		0801-003330	IC-CMOS LOGIC;Octal buffer,DQFN,20P,4.5x	3	SA
...4		0802-001012	IC-CMOS LOGIC;74LCX245,TRANSCEIVER,DQFN,	1	SNA
...4		1001-001545	IC-ANALOG MULTIPLEX;TS3USB221ERSER,R-PQF	1	SA
...4		1103-001531	IC-EEPROM;S-24C256CI-J8T1U4,256Kbit,32Kx	1	SA
...4		1103-001561	IC-EEPROM;S-24C02DI-J800,2Kbit,256X8bit,	1	SA
...4		1105-002227	IC-DDR3 SDRAM;K4B1G1646G-BCK0,DDR3 SDRAM	2	SA
...4		1201-003183	IC-AUDIO AMP;DRV612,HTSSOP,14P,5x4.4mm,D	1	SA
...4		1201-003333	IC-POWER AMP;NTP-7412S,MLF,48P,7x7mm,DUA	1	SA
...4		1203-006130	IC-POSI.FIXED REG.;S-1172B25-U5T1G,SOT-8	1	SA
...4		1203-006135	IC-POSI.FIXED REG.;AP1117D-33-GZ-13-89,T	1	SA
...4		1203-006136	IC-POSI.FIXED REG.;AP1117D-18-GZ-13-89,T	1	SA
...4		1203-006138	IC-POSI.ADJUST REG.;AP1117DGZ-13-89,TO-2	1	SA
...4		1203-006337	IC-POSI.FIXED REG.;G9091-330T11U,SOT-23-	1	SA
...4		1203-006710	IC-DC/DC CONVERTER;RT8016L-GQW,WQFN,8P,1	2	SA
...4		1203-007502	IC-DC/DC CONVERTER;AOZ3011PI,SO-8,8Z30,4	2	SA
...4		1203-007728	IC-VOL. DETECTOR;RT9831GQW,QW : WQFN-20L	1	SA

Exploded Views and Parts List

Level	Loc.	Part Code	Description & Specification	Qty.	SA/SNA
...4		1204-003423	IC-DECODER;SEMS29,LFBGA,557Z30,20.2x20.2	1	SA
...4		1205-003201	IC-BUS SWITCH;TC7WB125FK,SSOP,8P,2x2.3mm	1	SA
...4		1405-001271	VARISTOR;35V,20Vdc,5A,1.0x0.5x0.6mm,TP,1	14	SA
...4		2007-000137	R-CHIP;2Kohm,5%,1/16W,TP,1005	7	SNA
...4		2007-000138	R-CHIP;100ohm,5%,1/16W,TP,1005	23	SA
...4		2007-000142	R-CHIP;2.7Kohm,5%,1/16W,TP,1005	1	SA
...4		2007-000143	R-CHIP;4.7Kohm,5%,1/16W,TP,1005	46	SNA
...4		2007-000148	R-CHIP;10Kohm,5%,1/16W,TP,1005	37	SA
...4		2007-000153	R-CHIP;22Kohm,5%,1/16W,TP,1005	7	SNA
...4		2007-000154	R-CHIP;24Kohm,5%,1/16W,TP,1005	2	SA
...4		2007-000155	R-CHIP;27Kohm,5%,1/16W,TP,1005	1	SNA
...4		2007-000157	R-CHIP;47Kohm,5%,1/16W,TP,1005	7	SNA
...4		2007-000162	R-CHIP;100Kohm,5%,1/16W,TP,1005	4	SNA
...4		2007-000168	R-CHIP;470Kohm,5%,1/16W,TP,1005	1	SA
...4		2007-000170	R-CHIP;1Mohm,5%,1/16W,TP,1005	2	SNA
...4		2007-000172	R-CHIP;10ohm,5%,1/16W,TP,1005	2	SNA
...4		2007-000173	R-CHIP;22ohm,5%,1/16W,TP,1005	3	SNA
...4		2007-000174	R-CHIP;47ohm,5%,1/16W,TP,1005	2	SNA
...4		2007-000256	R-CHIP;1.6Kohm,1%,1/10W,TP,1608	1	SA
...4		2007-000475	R-CHIP;1Mohm,1%,1/10W,TP,1608	2	SA
...4		2007-000691	R-CHIP;3.3Mohm,5%,1/10W,TP,1608	1	SA
...4		2007-000695	R-CHIP;3.3ohm,5%,1/10W,TP,1608	4	SNA
...4		2007-000775	R-CHIP;33Kohm,5%,1/16W,TP,1005	1	SNA
...4		2007-000803	R-CHIP;36Kohm,1%,1/10W,TP,1608	3	SA
...4		2007-000857	R-CHIP;4.3Kohm,1%,1/10W,TP,1608	5	SNA
...4		2007-000932	R-CHIP;470ohm,5%,1/16W,TP,1005	2	SNA
...4		2007-000979	R-CHIP;5.6Kohm,1%,1/10W,TP,1608	1	SA
...4		2007-001168	R-CHIP;75ohm,5%,1/4W,TP,3216	1	SA
...4		2007-001292	R-CHIP;33ohm,5%,1/16W,TP,1005	18	SNA
...4		2007-001298	R-CHIP;51ohm,5%,1/16W,TP,1005	2	SNA
...4		2007-001301	R-CHIP;68ohm,5%,1/16W,TP,1005	7	SA
...4		2007-001313	R-CHIP;330ohm,5%,1/16W,TP,1005	2	SNA
...4		2007-001325	R-CHIP;3.3Kohm,5%,1/16W,TP,1005	1	SNA
...4		2007-001333	R-CHIP;18Kohm,5%,1/16W,TP,1005	4	SNA
...4		2007-002912	R-CHIP;33.2Kohm,1%,1/10W,TP,1608	1	SA
...4		2007-002970	R-CHIP;56ohm,5%,1/16W,TP,1005	5	SA
...4		2007-007095	R-CHIP;390ohm,5%,1/16W,TP,1005	1	SA
...4		2007-007142	R-CHIP;10Kohm,1%,1/16W,TP,1005	4	SNA
...4		2007-007156	R-CHIP;1ohm,5%,1/16W,TP,1005	15	SNA
...4		2007-007238	R-CHIP;8.25Kohm,1%,1/10W,TP,1608	1	SA

Level	Loc.	Part Code	Description & Specification	Qty.	SA/SNA
...4		2007-007311	R-CHIP;22Kohm,1%,1/16W,TP,1005	1	SA
...4		2007-007313	R-CHIP;6.8Kohm,1%,1/16W,TP,1005	2	SA
...4		2007-007318	R-CHIP;1Kohm,1%,1/16W,TP,1005	24	SNA
...4		2007-007331	R-CHIP;90.9Kohm,1%,1/10W,TP,1608	1	SA
...4		2007-007352	R-CHIP;130Kohm,1%,1/10W,TP,1608	2	SA
...4		2007-007463	R-CHIP;1.1Kohm,1%,1/16W,TP,1005	1	SA
...4		2007-007517	R-CHIP;240ohm,1%,1/16W,TP,1005	3	SNA
...4		2007-007766	R-CHIP;2Kohm,1%,1/16W,TP,1005	6	SNA
...4		2007-008015	R-CHIP;75ohm,1%,1/16W,TP,1005	11	SA
...4		2007-008133	R-CHIP;56.2Kohm,1%,1/10W,TP,1608	1	SA
...4		2007-008275	R-CHIP;30Kohm,1%,1/16W,TP,1005	2	SNA
...4		2007-008426	R-CHIP;12.4Kohm,1%,1/10W,TP,1608	1	SA
...4		2007-008649	R-CHIP;220ohm,1%,1/16W,TP,1005	1	SNA
...4		2007-008807	R-CHIP;53.6Kohm,1%,1/16W,TP,1005	1	SA
...4		2011-000515	R-NETWORK;4.7Kohm,5%,1/16W,L,CHIP,8P,TP,	1	SA
...4		2011-001261	R-NETWORK;33ohm,5%,1/16W,L,CHIP,8P,TP,2.	6	SA
...4		2011-001262	R-NETWORK;22ohm,5%,1/16W,L,CHIP,8P,TP,2.	2	SA
...4		2011-001264	R-NETWORK;10ohm,5%,1/16W,L,CHIP,8P,TP,2.	4	SNA
...4		2011-001344	R-NETWORK;100ohm,5%,1/16W,L,CHIP,8P,TP,2	3	SA
...4		2011-001449	R-NETWORK;22ohm,5%,1/16W,L,4P,TP,1010	5	SA
...4		2011-001506	R-NETWORK;10Kohm,5%,1/16W,L,CHIP,4P,TP,1	1	SNA
...4	AD480	2203-000233	C-CER,CHIP;0.1nF,5%,50V,C0G,TP,1005	6	SA
...4	AD480	2203-000438	C-CER,CHIP;1nF,10%,50V,X7R,TP,1005	11	SA
...4	AD480	2203-000489	C-CER,CHIP;2.2nF,10%,50V,X7R,TP,1005	7	SA
...4	AD480	2203-000585	C-CER,CHIP;0.22nF,10%,50V,X7R,TP,1005	2	SA
...4	AD480	2203-000627	C-CER,CHIP;0.022nF,5%,50V,C0G,TP,1005	2	SNA
...4	AD480	2203-000714	C-CER,CHIP;3.3nF,10%,50V,X7R,TP,1005	4	SA
...4	AD480	2203-000812	C-CER,CHIP;0.033nF,5%,50V,C0G,TP,1005	7	SA
...4	AD480	2203-000995	C-CER,CHIP;0.047nF,5%,50V,C0G,TP,1005	4	SA
...4	AD480	2203-002285	C-CER,CHIP;10nF,10%,50V,X7R,TP,1005	11	SNA
...4	AD480	2203-002525	C-CER,CHIP;0.56nF,10%,50V,X7R,TP,1005	4	SNA
...4	AD480	2203-005054	C-CER,CHIP;0.0047nF,0.25pF,50V,NP0,TP,10	2	SA
...4	AD480	2203-005249	C-CER,CHIP;100nF,10%,50V,X7R,TP,1608	14	SNA
...4	AD480	2203-005344	C-CER,CHIP;22nF,10%,25V,X7R,TP,1005,0.5T	3	SNA
...4	AD480	2203-006048	C-CER,CHIP;100nF,10%,10V,X7R,TP,1005	85	SA
...4	AD480	2203-006126	C-CER,CHIP;47nF,10%,16V,X7R,TP,1005	16	SNA
...4	AD480	2203-006324	C-CER,CHIP;2200nF,10%,10V,X5R,TP,1608	8	SA
...4	AD480	2203-006474	C-CER,CHIP;22000nF,20%,6.3V,X5R,TP,2012	20	SA
...4	AD480	2203-006562	C-CER,CHIP;1000nF,10%,10V,X5R,TP,1005	12	SNA
...4	AD480	2203-006636	C-CER,CHIP;220nF,10%,25V,X7R,TP,1608	3	SA

Exploded Views and Parts List

Level	Loc.	Part Code	Description & Specification	Qty.	SA/SNA
...4	AD480	2203-006890	C-CER,CHIP;10000nF,20%,6.3V,X5R,TP,1608	18	SA
...4	AD480	2203-006992	C-CER,CHIP;0.33nF,5%,50V,C0G,TP,1005	2	SNA
...4	AD480	2203-007176	C-CER,CHIP;10000nF,10%,16V,X5R,TP,2012,1	4	SNA
...4	AD480	2203-007513	C-CER,CHIP;10000nF,10%,10V,X5R,TP,1608,0	22	SA
...4		2703-001229	INDUCTOR-SMD;2.2uH,10%,1608,1.150hm,15mA	1	SC
...4		2703-001938	INDUCTOR-SMD;56nH,5%,1005,1.50hm,200mA,1	3	SA
...4		2703-002238	INDUCTOR-SMD;1uH,5%,2012,2.380hm,23,Wire	3	SNA
...4		2703-003343	INDUCTOR-SMD;2.2uH,20%,2520,0.1040hm,130	2	SNA
...4		2703-003790	INDUCTOR-SMD;4.7uH,20%,8080,0.025ohm,450	2	SA
...4		2703-003930	INDUCTOR-SMD;4.7uH,20%,5050,0.0720hm,245	4	SA
...4		2801-003326	CRYSTAL-SMD;24MHz,30ppm,28-ABX,20pF,50oh	1	SA
...4		3301-002039	BEAD-SMD;26ohm,1608,TP	34	SA
...4		3701-001861	CONNECTOR-HDMI;19P,2ROW,FEMALE,SMD-A,AU	2	SA
...4		3707-001106	CONNECTOR-OPTICAL;STRAIGHT W/L,SPDIF	1	SA
...4		3708-001150	CONNECTOR-FPC/FFC/PIC;30P,1mm,SMD-A,SN,Z	1	SA
...4		3709-001712	CONNECTOR-CARD SLOT;68P,1.27mm,ANGLE,AU,	1	SA
...4		3711-007569	CONNECTOR-HEADER;BOX,14P,2R,2.0mm,DIP,SN	1	SA
...4		3711-007585	CONNECTOR-HEADER;BOX,4P,1R,2.5mm,ANGLE-D	1	SA
...4	EH01	3711-008521	HEADER-BOARD TO CABLE;BOX,8P,1R,2mm,ANGL	1	SNA
...4		3722-003457	JACK-USB;4P/1C,NI,BLK,A	1	SA
...4		3722-003546	JACK-PIN;5P+Screw hole,NI+SN,G,Y/BLU/RED	1	SA
...4		3722-003655	JACK-SCART;21P,SN,BLK	1	SA
...4		3722-003667	JACK-PHONE;1P/7C,AU/NI,BLK,STRAIGHT	1	SA
...4	ET01	BN40-00256A	TUNER;DTOS40EIH035A,DTOS40EIH035A,DVB-TC	1	SA
...4		BN41-01955A	PCB MAIN;X13 OS,FR-4,4,1.2T,158*193.5,1	1	SNA
...4		BN97-07099A	ASSY MICOM-MAIN FLASH;T-MST13DEUC,U85B,K	1	SNA
....5		1107-002049	IC-NAND FLASH;K9F1G08U0D-SCB0,1Gbit,128M	1	SNA
....5		BN46-00317E	S/W-E-MANUAL;X13,EU4,XC, XN, ZF, ZG, ZT,	1	SNA
....5		BN46-00335A	S/W MICOM;T-MST13DEUC-XXXX,EU/RU/XH/AB,E	1	SNA
...4		BN97-07187A	ASSY MICOM-SUB;T-MST13DEUS-XXXX,X13,W25Q	1	SNA
....5		1107-002226	IC-NOR FLASH;W25Q40CLSSIP,4Mbit,SOIC,8P,	1	SNA
...3		BN97-07183A	ASSY DRM-KEY;BN46-00115J(CI+)	1	SNA
...4		BN46-00115J	KEY CODE-CERTIFI;CI+,TV,2013X,Euro	1	SNA
1		BN91-11535L	ASSY SHIELD;UF4B,F4000	1	SNA
.2		6001-003016	SCREW-MACHINE;PWH,+,M3.0,L5.0,ZPC(WHT),S	9	SA
.2	EC13	BN39-01455W	LEAD CONNECTOR;UN32F5000,Flat Connector	1	SA
.2	EC13	BN39-01800A	LEAD CONNECTOR;32inch HD Top-Side Direct	1	SA
.2	P001A	BN44-00604F	DC VSS-LED TV PD BD;L32S0E_DHS,L32S0E_DH	1	SA
.2		BN61-09059B	HOLDER-SIDE AV;UF4000(1-TUNER),ABS+PC,GY	1	SNA
.2	FC05	BN63-10206L	COVER-JACK;UF4000,32,PC+ABS,GY0275,V0	1	SNA

Level	Loc.	Part Code	Description & Specification	Qty.	SA/SNA
..3		0103-009930	RESIN-PC ABS;NH-1017SG,GRAY,GY0275,V0	12	SNA
.2		BN67-00364C	RUBBER-FOOT;X13,RUBBER,10*10,6,Dark Gray	1	SNA
.2	FL06	BN96-20370Z	ASSY CABLE P-FFC;UN32F4000,FFC,340mm,30p	1	SA
.2	SP01A	BN96-25568A	ASSY SPEAKER P;6ohm,10W,Enclosure_F4k	1	SA
1		BN92-11766C	ASSY P/MATERIAL;UF4000,32,ROUND-STAND	1	SNA
.2		0203-001595	TAPE-OPP MASKING;OPP-2,0.075,75,800M,CLR	2	SNA
.2		6902-001516	BAG ROLL;HDPE/PE FOAM,T0.015/T0.3,W650,L	2	SNA
.2		6922-000013	BAND PP;PP,W18,L2300/L2900,TRP	1	SNA
.2		BN01-00043A	FOIL-STRETCH-HOOD;LLDPE,T0.08,W980,L1400	0	SNA
.2		BN63-10787F	COVER-SHEET NITRON;UE22ES5000,PE,T4.0,W1	1	SNA
.2		BN69-07254D	PALLET-WOODEN;UE32F4000,WOOD,1140,940,13	1	SNA
.2		BN69-08422B	CUSHION-SET;32UF4000-RS,EPS,EPS,16.7 g/L	1	SNA
.2		BN69-08447A	PACKING INNER-PAD;COMM,CB,SW2,T3,W800,L1	1	SNA
1		BN92-11782F	ASSY BOX;UF4000 32	1	SNA
.2		BH68-00662A	LABEL BOX-01;ALL MODEL,ART PAPER,60,110,	1	SNA
.2		BN69-08566X	BOX-SET;32UF4000-RS,CB,A-01,SW2,YEL,H494	1	SNA
1		BN92-11808R	ASSY LABEL;UF4B,F4000(EU,ASIA)	1	SNA
.2	T0527	BP68-00052B	LABEL-00,RATING;FPTV,PET,T0.05,93,73	1	SNA
1	ACCE1	BN92-12040R	ASSY ACCESSORY;UE32F4000AWXZT	1	SNA
.2		BN68-04777A	LABEL-01,STICKER;UF4B,EDC,PET,T0.1,60,12	1	SNA
.2		BN68-04898L	LEAFLET-03,STAND GUIDE;UF4000(28"/32"),E	1	SNA
.2		BN96-26593A	ASSY ACCESSORY-MANUAL/CABLE;UE32F4000AWX	1	SNA
..3	T0268	3903-000849	CBF-POWER CORD;DT,CEE,LP-21L,250V,2.5A,B	1	SA
..3		4301-000121	BATTERY-MN;1.5V,R03,10.5x44.5m,7.5g,AAA	2	SNA
..3	SCREW	6003-001782	SCREW-TAPTYPE;BH,+,B,M4,L12,ZPC(BLK),SWR	7	SA
..3	REMO2	AA59-00741A	REMOCON;TM1240,44,3.0V,F5020/EU	1	SA
..3		BN68-00514K	MANUAL FLYER-03,WARRANTY CARD;comm,Samsu	1	SNA
..3		BN68-04735A	LABEL-E,PASS;ALL MODEL,ART PAPER 90G,50,	1	SNA
..3		BN68-04784B	MANUAL USERS-04;UF5000W,ENG/DEU/FRA/ITA,	1	SNA
..3		BN68-04972A	MANUAL FLYER-02,REGULATORY GUI;ALL,SAMSU	1	SNA
..3		BN68-05115P	LEAFLET-FICHE(UF4000);UF4000,EUROPE,W/P8	1	SNA
..3		BN69-08226H	BOX-ACCESSORY;13 TV,PAPER,CCP 400g,NON-S	1	SNA
..3		BN69-08449A	BAG VINYL;LDPE,0.04,L1000,W120	0	SNA
..3		BN69-08751B	WRAP VINYL-SHRINK;STAND,PLASTIC OTHERS,P	0	SNA
..3		BN96-15806B	ASSY HOLDER P-WIRE STAND;UE5500,NYLON,BL	1	SNA
..4		BN61-04731D	BOSS-TAPE;AMBER,ACRYL,T1.1,W20.0mm,WHITE	0	SNA
..4		BN61-05491C	HOLDER-WIRE STAND;UE5500,NYLON,BLK	1	SNA