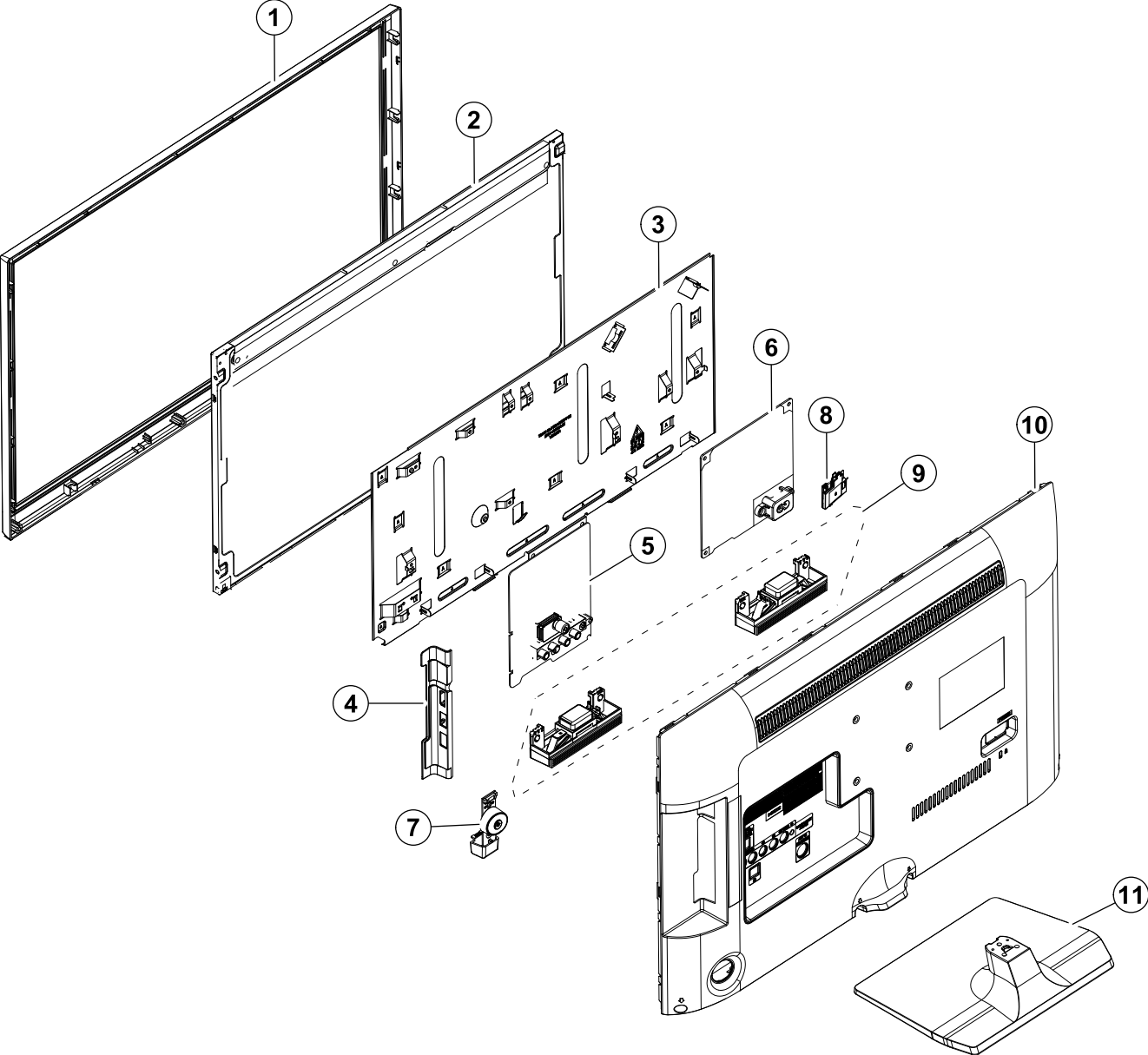


1. Exploded View & Part List

Exploded View



Parts List

No.	Lvl.	Loc.	Material Code	Description & Specification	SNA	Qty.
1	2	F001A	BN96-43844B	ASSY COVER P-FRONT; 24N4500,PC+ABS,V-1,BK	SA	1
2	2	PANEL	BN07-01378B	LCD-PANEL; V236BJ1-LE2,CMN61E2G,544.80x32	SA	1
3	2	CB07A	BN96-44172A	ASSY BRACKET P-PCB; 24M4500,EGI-SECC,NATU	SNA	1
4	3		BN63-15595D	COVER-TERMINAL SIDE; 24UN4500NJ,PC+ABS,V-	SNA	1
5	2	M0014	BN94-14750U	ASSY PCB MAIN; TV	SA	1
6	2		BN44-00746F	DC VSS-PD BOARD; L23S0DSR_MPN,AC/DC,40.4W	SA	1
7	2		BN96-30857U	ASSY BOARD P-FUNCTION TACT; M4500,SJ17-01	SA	1
8	2	WIFI	BN59-01174D	NETWORK-WLAN CLIENT; WIDT30Q,55x24x5.8mm	SA	1
9	2	SP01A	BN96-30339H	ASSY SPEAKER P-FRONT; TV-SPK,HD470,12ohm,	SA	1
10	2	R001A	BN96-43845C	ASSY COVER P-REAR; 24N4305,PC+ABS,V-1,BK0	SA	1
11	2	SB04A	BN96-31786A	ASSY STAND P-COVER BOTTOM; 24TD310,ABS,BK	SA	1

2. Electrical Parts List

Level	Loc.	Part Code	Description & Specification	Qty.	SA/SNA
			UE24N4305AKXXC (LA01)		
1	S001A	BN90-05991A	ASSY STAND;UH4100,23.6	1	SNA
.2	SB04A	BN96-31786A	ASSY STAND P-COVER BOTTOM;24TD310,ABS,BK	1	SA
..3	AS080	BN63-04755K	SHEET-PROTECTION COVER;19LC350/450,PE,T0	1	SNA
..3		BN63-12195A	COVER-STAND TOP;24TD310,ABS,HB,BK0007,23	1	SNA
...4		0103-004609	RESIN ABS;HF-0680U,K21294,BK0007,HB,High	192	SNA
..3	RF01	BN67-00327D	FOOT-RUBBER;STAND,RUBBER,GRAY,T2,,	5	SNA
1	R001A	BN90-09164K	ASSY COVER REAR;UM4*	1	SNA
.2	R001A	BN96-43845C	ASSY COVER P-REAR;24N4305,PC+ABS,V-1,BK0	1	SA
..3	CB19	BN61-08997A	BRACKET-VESA;EGI-SECC,T0.8,NATURAL	4	SNA
..3	R001	BN63-17018C	COVER-REAR;24UN4300N,PC+ABS,V-1,BK0008,E	1	SNA
...4		0103-010376	RESIN PC ABS;FR3012 / 901510,BLACK,BK000	732	SNA
..3		BN64-04117B	INLAY-TERMINAL SIDE;40UN5300M,PET,T0.125	1	SNA
1		BN90-09249B	ASSY COVER FRONT;UM4*	1	SNA
.2	F001A	BN96-43844B	ASSY COVER P-FRONT;24N4500,PC+ABS,V-1,BK	1	SA
..3	SCREW	6003-000282	SCREW-TAPTYPE;BH,+,-,B,M3,L8,ZPC(BLK),SW	1	SA
..3	AB258	BN61-07182A	BRACKET-PANEL;EGI-SECC,T1,NATURAL	1	SNA
..3	AS080	BN63-05199V	SHEET-PROTECTION COVER;AMBER,PE,T0.08,W4	1	SNA
..3		BN63-11218A	SHEET-PROTECTION COVER;AMBER,PE,T0.08,W3	1	SNA
..3	F001	BN63-17017B	COVER-FRONT;24N4500,PC+ABS,V-1,BK0008	1	SNA
1		BN90-11205A	ASSY W/I;UR4300N	1	SNA
.2		BN81-08159Z	A/S PART SET-ELEC W/I;LED TV ELEC spec-C	1	SNA
.2		BN81-17116Y	A/S PART SET-MECH W/I;UN4300N,U24MD*	1	SNA
1		BN91-18234A	ASSY LCD;BN07-01378B	1	SNA
.2	PANEL	BN07-01378B	LCD-PANEL;V236BJ1-LE2,CMN61E2G,544.80x32	1	SA
1		BN91-19085T	ASSY SHIELD;UM4*	1	SNA
.2		BN02-00102B	TAPE-SINGLE FACE;OPP,T0.15,W25,L50M,WHIT	0	SNA
.2	EC13	BN39-01762N	LEAD CONNECTOR-SATA;UN24H4000,UL21016,6P	1	SA
.2	EC13	BN39-02218B	LEAD CONNECTOR-SUB ASSY;55KU6000, 60KU60	1	SA
.2		BN39-02275E	LEAD CONNECTOR-POWER;24M4500,UL21016,10P	1	SA
.2		BN44-00746F	DC VSS-PD BOARD;L23S0DSR_MPN,AC/DC,40.4W	1	SA
.2	WIFI	BN59-01174D	NETWORK-WLAN CLIENT;WIDT30Q,55x24x5.8mm	1	SA
.2		BN61-10073B	HOLDER-WIFI;55KU6000,ABS,BK0007,HB	1	SNA
..3		0103-004609	RESIN ABS;HF-0680U,K21294,BK0007,HB,High	5	SNA
.2	M0131	BN63-00520A	GASKET-EMI;APPOLO_PAL,Conductive Fabric,	1	SNA
.2	SP01A	BN96-30339H	ASSY SPEAKER P-FRONT;TV-SPK,HD470,12ohm,	1	SA
.2		BN96-30857U	ASSY BOARD P-FUNCTION TACT;M4500,SJ17-01	1	SA
.2		BN96-34321U	FFC CABLE;kant-s,24M4500,Fold,L300,30P	1	SA

Exploded Views and Parts List

Level	Loc.	Part Code	Description & Specification	Qty.	SA/SNA
.2	CB07A	BN96-44172A	ASSY BRACKET P-PCB;24M4500,EGI-SECC,NATU	1	SNA
..3		BN60-00162E	SPACER-FOAM;PE FOAM,L50M,GRAY,T0.5,W20	1	SNA
..3	CB15	BN61-15020A	BRACKET-MAIN;24M4500,EGI-SECC,T0.6,NATUR	1	SNA
1	M0017	BN91-19910U	ASSY CHASSIS;82UNU8000F	1	SNA
.2	M0014	BN94-14750U	ASSY PCB MAIN;TV	1	SA
..3		0202-001608	SOLDER-WIRE FLUX;LFC7-107,D0.8,99.3Sn/0.	0	SNA
..3		BN62-00835A	HEAT SINK-PS;M5300/M5500/M6300,A1050,T1.	1	SNA
..3		BN63-15595D	COVER-TERMINAL SIDE;24UN4500NJ,PC+ABS,V-	1	SNA
..3		BN97-14121D	ASSY SMD;UNU8500E	1	SNA
...4		0202-001976	SOLDER-CREAM;LST-309M-K21,D20~38um,96.5S	4	SNA
...4	DS01A	0401-001056	DIODE-SWITCHING;MMBD4148SE,100V,200mA,SO	1	SA
...4	DS01A	0401-001116	DIODE-SWITCHING;BAV99DW,75V,215mA,SOT-36	2	SA
...4		0403-001785	DIODE-ZENER;NZH5V1B,4.94~5.2V,500mW,SOD-	1	SA
...4		0404-001404	DIODE-SCHOTTKY;BAT721C,40V,200mA,SOT-23,	3	SA
...4		0406-001200	DIODE-TVS;RClamp0504F,6V,1MAV,TP	2	SA
...4		0406-001635	DIODE-TVS;SMF5.0A,6.4V,6.7V,7V,200MAV,20	1	SA
...4		0406-001778	DIODE-TVS;PUSB3FR4,6V,9V,0.2MAV,0.7VPA,0	5	SA
...4		0501-000445	TR-SMALL SIGNAL;KTC3875S-Y,NPN,150mW,SOT	3	SC
...4		0504-000126	TR-DIGITAL;KSR1101,NPN,200mW,4.7K/4.7K,S	1	SA
...4		0505-002560	FET-SILICON;AO6415,P,20V,-3.3A,0.15ohm,1	1	SA
...4		0505-002598	FET-SILICON;AP2317GN,P,20V,-4.2A,0.052oh	3	SA
...4		0505-003397	FET-SILICON;2N7002K,N,60V,0.38A,1.19ohm,	5	SA
...4		0801-003603	IC-CMOS LOGIC;MC74LCX244MN2TWG,Octal buf	1	SA
...4		0801-003604	IC-CMOS LOGIC;NL17SZ17DFT2G,SC-70,5P,TP,	1	SA
...4		1001-001545	IC-ANALOG MULTIPLEX;TS3USB221ERSER,R-PQF	1	SA
...4		1103-001584	IC-EEPROM;M24512-DFMN6TP,512Kbit,64K x 8	1	SNA
...4		1105-002681	IC-DDR3 SDRAM;H5TQ4G63CFR,DDR3 1866,4Gbi	1	SA
...4		1105-002755	IC-DDR3 SDRAM;H5TQ2G63GFR,2Gbit,128Mx16,	1	SA
...4		1201-003690	IC-AUDIO AMP;TAS5747PHPR,QFP,48P,DUAL,PL	1	SA
...4		1203-004363	IC-VOL. DETECTOR;SOT-23,3Z30,2.9x1.6mm,P	1	SA
...4		1203-006130	IC-POSI.FIXED REG.;S-1172B25-U5T1G,SOT-8	1	SA
...4		1203-008104	IC-POSI.FIXED REG.;S-13A1D18-E800,HSOP,8	1	SNA
...4		1203-008105	IC-POSI.FIXED REG.;S-13A1D33-E800,HSOP,8	1	SNA
...4		1203-008392	IC-VOL. DETECTOR;S-6414AAB-L800X,TSOT-23	1	SA
...4		1203-008393	IC-DDR TERMINATION REG.;AP2303MTR-G1-89,	1	SA
...4		1203-008734	IC-DC/DC CONVERTER;RT6214,TSOT-23,6,3x1.	2	SA
...4		1203-008919	IC-DC/DC CONVERTER;SYD104AADC,TSOT23,6P,	1	SA
...4		1203-008921	IC-DC/DC CONVERTER;SYU236ARAC,QFN,20P,3x	1	SA
...4		1204-003739	IC-DECODER;SDP1604(NagSam),HS-LFBGA,576P	1	SA
...4		1205-005519	IC-SWITCH;ET20163,SOT23-5,5P,2.95x3.02mm	2	SA

Level	Loc.	Part Code	Description & Specification	Qty.	SA/SNA
...4		1405-001232	VARISTOR;6.4V,5.6VDC,30A,1608,TP,19V,200	4	SNA
...4		1405-001271	VARISTOR;35V,20VDC,5A,1005,TP,100V,10pF	15	SA
...4		1405-001381	VARISTOR;11V,8VDC,30A,1608,TP,25V,500pF	2	SA
...4		1405-001382	VARISTOR;24.5V,16VDC,120A,2012,TP,42V,40	1	SA
...4		2007-000039	R-CHIP;0ohm,1%,1/10W,TP,1608	4	SA
...4		2007-000070	R-CHIP;0ohm,5%,1/10W,TP,1608,T0.45	2	SA
...4		2007-000137	R-CHIP;2Kohm,5%,1/16W,TP,1005	10	SNA
...4		2007-000138	R-CHIP;100ohm,5%,1/16W,TP,1005,T0.35	28	SA
...4		2007-000143	R-CHIP;4.7Kohm,5%,1/16W,TP,1005,T0.35	49	SNA
...4		2007-000148	R-CHIP;10Kohm,5%,1/16W,TP,1005,T0.35	29	SA
...4		2007-000171	R-CHIP;0ohm,5%,1/16W,TP,1005,T0.35	28	SNA
...4		2007-000172	R-CHIP;10ohm,5%,1/16W,TP,1005,T0.35	2	SNA
...4		2007-000173	R-CHIP;22ohm,5%,1/16W,TP,1005,T0.35	12	SNA
...4		2007-000475	R-CHIP;1Mohm,1%,1/10W,TP,1608	1	SA
...4		2007-000779	R-CHIP;33ohm,1%,1/10W,TP,1608	4	SA
...4		2007-000932	R-CHIP;470ohm,5%,1/16W,TP,1005,T0.35	5	SNA
...4		2007-001288	R-CHIP;18ohm,5%,1/16W,TP,1005,T0.35	4	SA
...4		2007-001292	R-CHIP;33ohm,5%,1/16W,TP,1005,T0.35	18	SNA
...4		2007-001298	R-CHIP;51ohm,5%,1/16W,TP,1005,T0.35	1	SNA
...4		2007-003022	R-CHIP;62ohm,5%,1/16W,TP,1005,T0.35	24	SNA
...4		2007-007107	R-CHIP;100Kohm,1%,1/16W,TP,1005,T0.35,-	9	SNA
...4		2007-007134	R-CHIP;39Kohm,1%,1/16W,TP,1005,T0.35	1	SA
...4		2007-007135	R-CHIP;18Kohm,1%,1/16W,TP,1005,T0.35	1	SNA
...4		2007-007137	R-CHIP;1.2Kohm,1%,1/16W,TP,1005,T0.35	2	SA
...4		2007-007138	R-CHIP;27Kohm,1%,1/16W,TP,1005,T0.35	1	SA
...4		2007-007139	R-CHIP;47Kohm,1%,1/16W,TP,1005,T0.35	5	SA
...4		2007-007142	R-CHIP;10Kohm,1%,1/16W,TP,1005,T0.35	5	SNA
...4		2007-007156	R-CHIP;1ohm,5%,1/16W,TP,1005,T0.35	2	SNA
...4		2007-007309	R-CHIP;12Kohm,1%,1/16W,TP,1005,T0.35	6	SA
...4		2007-007311	R-CHIP;22Kohm,1%,1/16W,TP,1005,T0.35	7	SA
...4		2007-007312	R-CHIP;20Kohm,1%,1/16W,TP,1005,T0.35	1	SA
...4		2007-007316	R-CHIP;3.3Kohm,1%,1/16W,TP,1005,T0.35	1	SA
...4		2007-007318	R-CHIP;1Kohm,1%,1/16W,TP,1005,T0.35	26	SNA
...4		2007-007443	R-CHIP;3.01Kohm,1%,1/10W,TP,1608	1	SA
...4		2007-007470	R-CHIP;7.5Kohm,1%,1/16W,TP,1005,T0.35	1	SNA
...4		2007-007517	R-CHIP;240ohm,1%,1/16W,TP,1005,T0.35	4	SNA
...4		2007-007526	R-CHIP;23.7Kohm,1%,1/10W,TP,1608	1	SA
...4		2007-007528	R-CHIP;1.5Kohm,1%,1/16W,TP,1005,T0.35	2	SA
...4		2007-007538	R-CHIP;56Kohm,1%,1/16W,TP,1005,T0.35	1	SA
...4		2007-008015	R-CHIP;75ohm,1%,1/16W,TP,1005,T0.35	3	SA

Exploded Views and Parts List

Level	Loc.	Part Code	Description & Specification	Qty.	SA/SNA
...4		2007-008137	R-CHIP;24Kohm,1%,1/16W,TP,1005,T0.35	1	SNA
...4		2011-000686	R-NETWORK;56ohm,5%,1/16W,L,CHIP,8P,TP,3.	2	SA
...4		2011-001261	R-NETWORK;33ohm,5%,1/16W,L,CHIP,8P,TP,2.	2	SA
...4		2011-001344	R-NETWORK;100ohm,5%,1/16W,L,CHIP,8P,TP,2	2	SA
...4		2011-001345	R-NETWORK;10Kohm,5%,1/16W,L,CHIP,8P,TP,2	2	SA
...4	AD480	2203-000233	C-CER,CHIP;0.1nF,5%,50V,C0G,TP,1005,T0.5	4	SA
...4	AD480	2203-000278	C-CER,CHIP;0.01nF,0.5pF,50V,C0G,TP,1005	4	SA
...4	AD480	2203-000359	C-CER,CHIP;0.15nF,5%,50V,C0G,TP,1005,T0.	3	SA
...4	AD480	2203-000438	C-CER,CHIP;1nF,10%,50V,X7R,TP,1005	8	SA
...4	AD480	2203-000489	C-CER,CHIP;2.2nF,10%,50V,X7R,TP,1005	1	SA
...4	AD480	2203-000585	C-CER,CHIP;0.22nF,10%,50V,X7R,TP,1005	2	SA
...4	AD480	2203-000627	C-CER,CHIP;0.022nF,5%,50V,C0G,TP,1005	3	SNA
...4	AD480	2203-000679	C-CER,CHIP;0.027nF,5%,50V,C0G,TP,1005	2	SNA
...4	AD480	2203-000714	C-CER,CHIP;3.3nF,10%,50V,X7R,TP,1005	2	SA
...4	AD480	2203-000812	C-CER,CHIP;0.033nF,5%,50V,C0G,TP,1005	1	SA
...4	AD480	2203-000940	C-CER,CHIP;0.47nF,10%,50V,X7R,TP,1005,T0	4	SA
...4	AD480	2203-000995	C-CER,CHIP;0.047nF,5%,50V,C0G,TP,1005	2	SA
...4	AD480	2203-001412	C-CER,CHIP;0.03nF,5%,50V,C0G,TP,1005	3	SNA
...4	AD480	2203-002285	C-CER,CHIP;10nF,10%,50V,X7R,TP,1005	11	SNA
...4	AD480	2203-005083	C-CER,CHIP;220nF,10%,50V,X7R,TP,1608,T0.	6	SA
...4	AD480	2203-005968	C-CER,CHIP;4.7nF,10%,50V,X7R,TP,1005,T0.	2	SNA
...4	AD480	2203-006048	C-CER,CHIP;100nF,10%,10V,X7R,TP,1005,T0.	116	SA
...4	AD480	2203-006126	C-CER,CHIP;47nF,10%,16V,X7R,TP,1005,T0.5	11	SNA
...4	AD480	2203-006324	C-CER,CHIP;2200nF,10%,10V,X5R,TP,1608	2	SA
...4	AD480	2203-006348	C-CER,CHIP;1000nF,10%,25V,X5R,TP,1608,T0	4	SA
...4	AD480	2203-006562	C-CER,CHIP;1000nF,10%,10V,X5R,TP,1005,T0	7	SNA
...4	AD480	2203-006824	C-CER,CHIP;4700nF,10%,10V,X5R,TP,1608,T0	4	SNA
...4	AD480	2203-006838	C-CER,CHIP;2200nF,10%,6.3V,X5R,TP,1005,T	12	SA
...4	AD480	2203-006890	C-CER,CHIP;10000nF,20%,6.3V,X5R,TP,1608	30	SA
...4	AD480	2203-007240	C-CER,CHIP;22000nF,20%,6.3V,X5R,TP,1608,	12	SA
...4	AD480	2203-007269	C-CER,CHIP;22000nF,20%,10V,X5R,TP,2012(2	9	SA
...4	AD480	2203-007270	C-CER,CHIP;10000nF,10%,10V,X5R,TP,1608,T	5	SNA
...4	AD480	2203-007306	C-CER,CHIP;10000nF,10%,25V,X5R,TP,2012,T	7	SNA
...4	AD480	2203-007544	C-CER,CHIP;100nF,10%,50V,X7R,TP,1005,T0.	11	SA
...4	AD480	2203-008096	C-CER,CHIP;2200nF,10%,50V,X5R,TP,2012,1.	1	SA
...4	AD480	2203-008315	C-CER,CHIP;22000nF,20%,25V,X5R,TP,2012,T	2	SA
...4		2402-001268	C-AL,SMD;100uF,20%,25V,WT,TP,8x6.3mm	1	SA
...4		2409-001338	C-POLYMER ,CHIP;47uF,20%,6.3V,TP,3.2x1.6	2	SA
...4		2703-000213	INDUCTOR-SMD;470nH,10%,1608,T0.8,1.35Ohm	1	SA
...4		2703-002269	INDUCTOR-SMD;56nH,5%,1005,T0.5,1Ohm,200m	2	SA

Level	Loc.	Part Code	Description & Specification	Qty.	SA/SNA
...4		2703-003149	INDUCTOR-SMD;2.2uH,20%,0.0550hm,3000mA,W	1	SA
...4		2703-004724	INDUCTOR-SMD;8.2uH,20%,5050,T4,0.0720hm,	4	SA
...4		2703-005191	INDUCTOR-SMD;1.5uH,20%,6060,T4.5,0.020hm	1	SA
...4		2703-005192	INDUCTOR-SMD;4.7uH,20%,6060,T4.5,0.036Oh	2	SA
...4		2801-003773	CRYSTAL-SMD;12MHz,30ppm,28-AAN,20pF,500h	1	SA
...4		3301-001364	BEAD-SMD;1000ohm/100Mhz 1000ohm/100Mhz,1	6	SNA
...4		3301-002039	BEAD-SMD;26ohm/100Mhz 26ohm/100Mhz,1.6x0	30	SA
...4		3601-001374	FUSE-SURFACE MOUNT;32V,5A,FAST-ACTING,PL	2	SA
...4		3701-001967	CONNECTOR-HDMI;19P,A,FEMALE,AU,0.5mm,BLK	2	SA
...4		3707-001106	CONNECTOR-OPTICAL;STRAIGHT,SPDIF,2.5PI	1	SA
...4		3708-001150	CONNECTOR-FPC/FFC/PIC;30P,1mm,SMD-A,SN,Y	1	SA
...4		3709-001782	CONNECTOR-CARD SLOT;68P,1.27mm,ANGLE,AU,	1	SA
...4		3711-007776	CONNECTOR-HEADER;BOX,8P,1R,1.25mm,SMD-A,	1	SA
...4	EH01	3711-008131	HEADER-BOARD TO CABLE;BOX,4P,1R,2.5mm,AN	1	SA
...4	EH01	3711-008634	HEADER-BOARD TO CABLE;BOX,10P,2R,2mm,ANG	1	SA
...4		3711-009090	CONNECTOR-HEADER;BOX,16P,1R,1.25mm,SMD-A	1	SA
...4		3722-003229	JACK-MODULAR;8P/8C,Y,STRAIGHT,NONE,AU,1P	1	SA
...4		3722-003457	JACK-USB;4P/1C,NI,BLK,ANGLE,A,2.0,13.1x1	1	SA
...4	JACK PIN	3722-003546	JACK-PIN;5P,NI/SN,BLU/GRN/RED/WHT/YEL,SM	1	SA
...4		6302-001376	GASKET-SMD;SMT Gasket,Sn/Cu plated PI-Fi	7	SNA
...4		BN40-00330B	TUNER-DTV AIR CABLE;GTTH-7A11,DVB-TC,38.	1	SA
...4		BN41-02663A	PCB-MAIN;N5300,FR-4,4L,T1.2,144.5x214mm,	1	SNA
...4	CB07	BN61-13312B	BRACKET-SCREWLESS PCB;55KS8000,SK5,T0.3,	4	SNA
...4		BN97-14483A	ASSY MICOM-SUB;T-KTSNINTV-0005_D,UN5300/	1	SNA
....5		1107-002226	IC-NOR FLASH;W25Q40CLSSIP,4Mbit,SOIC,8P,	1	SA
...4		BN97-14485A	ASSY MICOM-MAIN;T-KTSNDEUC-0725.1,UN5500	1	SNA
....5		1107-002644	IC-EMMC;THGBMNG5D1LBAIT,4Gbyte,x1,BGA,15	1	SNA
..3		BN97-14470A	ASSY DRM;KANT-S N5300,HDCP	1	SNA
...4		BN46-00109H	KEY CODE-CERTIFICATION;MAC,TV/AV,General	1	SNA
...4		BN46-00110P	KEY CODE-CERTIFICATION;MIRACAST(HDCP2.2)	1	SNA
...4		BN46-00642A	KEY CODE-CERTIFICATION;KANT-S,Nagra CSC	1	SNA
...4		BN46-00860A	KEY CODE-CERTIFICATION;CI+1.4,KANTS(CI+	1	SNA
1		BN92-22112C	ASSY P/MATERIAL;UM4*	1	SNA
.2		6902-002503	BAG ROLL;HDPE/PE FOAM,T0.5*,W500,L300M,T	2	SNA
.2		6922-000013	BAND;PP,T0.8,W18,L2300 M,TRP	0	SNA
.2		6932-000004	WRAP;T0.023,W750,L1000m,non stretched fi	1	SNA
.2		AA69-03219W	PAD-DP SHEET;CPTTV,CB,SW2,W1050,L730	0	SNA
.2		BN02-00319B	TAPE-SINGLE FACE;OPP,T0.05,W75,L800M,CLE	1	SNA
.2		BN69-16098A	CUSHION-SET;24M4500,EPS,16.7g/l,WHITE	1	SNA
..3		0103-005099	RESIN EPS;BASF303,Natural,Natural	138	SNA

Exploded Views and Parts List

Level	Loc.	Part Code	Description & Specification	Qty.	SA/SNA
.2		BN69-17449K	PAD PACKING;LED,PAPER,T3,W50X50,L2700,YE	0	SNA
.2		BN69-20444A	PALLET-WOODEN;UE24N4305,WOOD,W750,L1190,	0	SNA
.2		BN74-00008D	TAPE-SINGLE FACE;OPP,T0.05,W75,L800M,CLE	1	SNA
1		BN92-22113S	ASSY BOX;UM4*	1	SNA
.2		BH68-00662A	LABEL BOX;ALL,ART,W60,L110,WHT,NO SILK,9	1	SNA
.2		BN69-20447B	BOX UNIT;24UN4305,CB,SW4,F1,L737,W110,H3	1	SNA
1		BN92-26527C	ASSY LABEL;UR4300N	1	SNA
.2		BN68-06708G	LABEL-RATING;Monitor,WW,PP,T0.161,W93,L7	1	SNA
.2		BN68-07519B	LABEL-ENERGY;ALL JORDAN,WW,PP,T0.135,W60	1	SNA
.2		BN68-09908B	LEAFLET-QUICK SETUP GUIDE;N4305 24,Other	1	SNA
1	ACCE1	BN92-26530E	ASSY ACCESSORY;UR4300N	1	SNA
.2		BN96-48819E	ASSY ACCESSORY MANUAL CABLE;UR4300N	1	SNA
..3	T0268	3903-001118	POWER CORD-DT;EUR,2P-F,250V,2.5A,BLK,L15	1	SA
..3		4301-000121	BATTERY-MN;1.5V,R03,10.5x44.5m,7.5g,AAA	2	SNA
..3		6902-001962	BAG PE;LDPE,BIOBASED,T0.05,W400,L300,TRP	1	SNA
..3		BN59-01303A	REMOCON-TV;2018 TV,SAMSUNG,44KEY,3V,EURO	1	SA
..3		BN68-00514K	LEAFLET-WARRANTY;comm,Samsung,W.Europe,W	1	SNA
..3		BN68-02989A	LABEL ETC;ALL MODEL,ALL,ART,W65,L30,65X3	1	SNA
..3		BN68-07598A	LEAFLET-REGULATORY GUIDE;QT/UT/LFD/LM/HD	1	SNA
..3		BN68-08114Q	LEAFLET-REGULATORY GUIDE;QT/UT,W/W,MOJO,	1	SNA
..3		BN68-09907C	MANUAL USERS;N4305,XC,MOJO,1COLOR,EURO B	1	SNA
..3		BN96-18013D	ASSY ACCESSORY-SCREW;ALL MODEL,6003-0017	1	SNA
...4	SCREW	6003-001782	SCREW-TAPTYPE;BH,+,B,M4,L12,ZPC(BLK),SWR	3	SA
...4		6902-000341	BAG PE;LDPE,T0.05,W70,L90,TRP,Bio. N	1	SNA