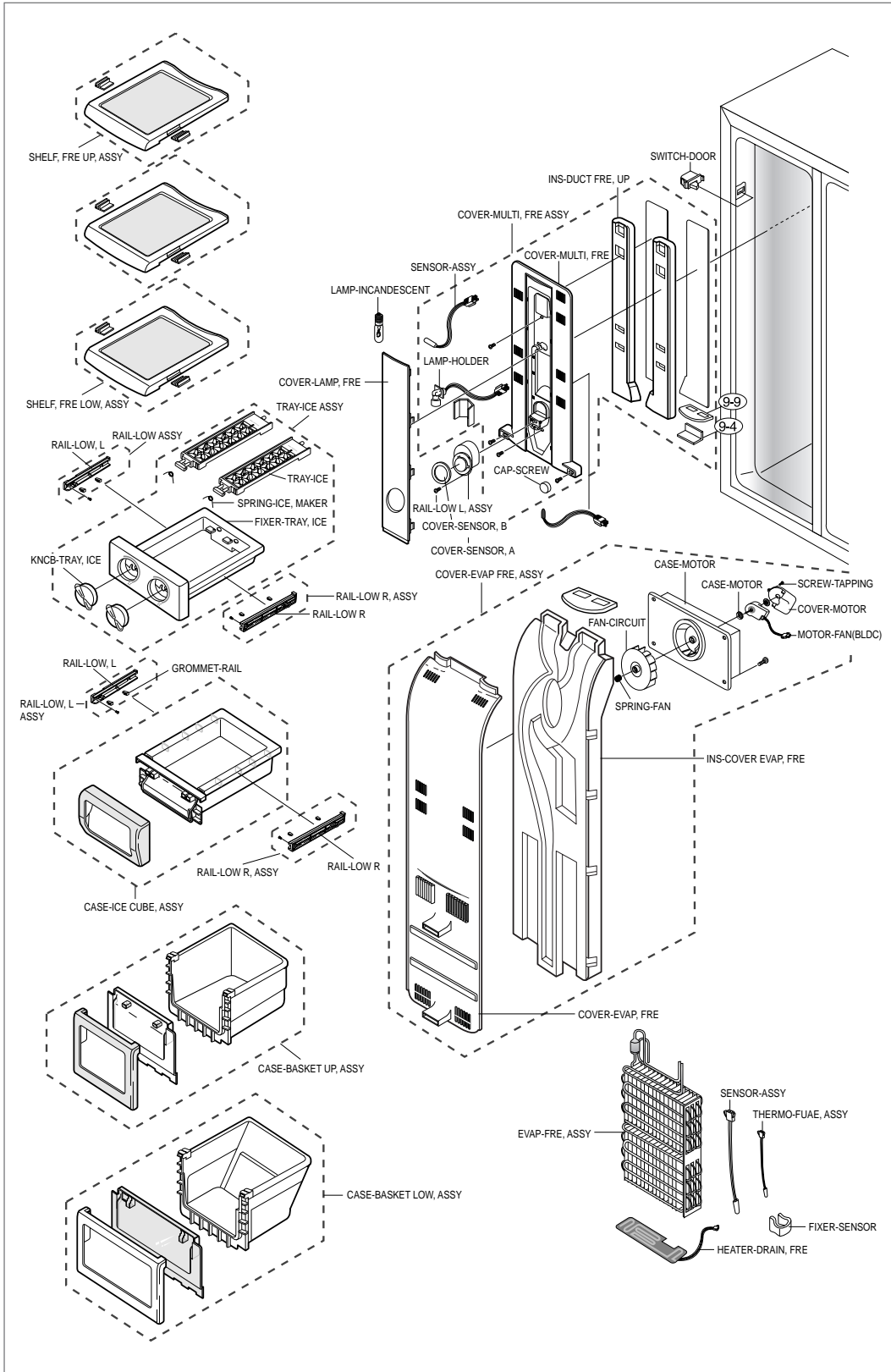


14. Refrigerator Exploded View & List

14-1) Freezer Room Exploded View (SR-S2026, S2027, S2226, S2227/S20NTC, S20BTC, S22NTC, S22BTC)



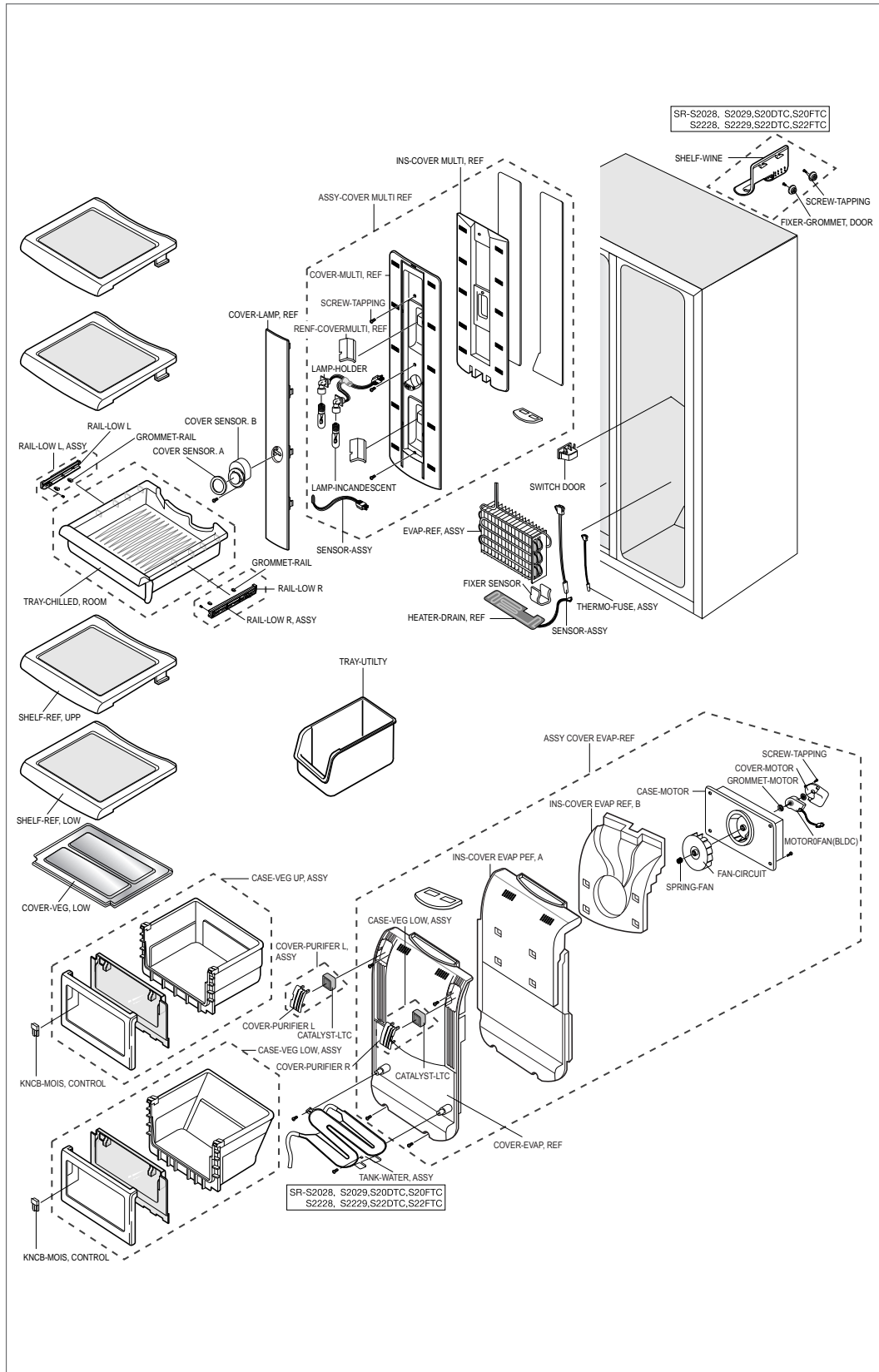
■ Accessory Parts of Freezer Room (SR-S2026, S2027, S2226, S2227/S20NTC, S20BTC, S22NTC, S22BTC)

NO	CODE-NO	Product Name	Specification	Quantity	Remark
1	4713-001123	LAMP-INCANDESCENT	240V, 30W, 25×84mm	1	Fusible Type
2	6002-000215	SCREW-TAPPING	TH-1, M4×16, ZPC(YEL), MSWR10	12	
3	DA34-10120A	SWITCH-DOOR	125V/250V, 0.5A, PA6, WHT	1	
4	DA97-00339B	HEATER-DRAIN, FRE	230V, 41W	1	
5	DA96-00014B	EVAP-FRE, ASSY	230V/230W	1	
5-1	DA32-10109R	SENSOR-ASSY	502AT, L540, YELLOW	1	(DEFROST SENSOR)
5-2	DA47-10148J	THERMO-FUSE, ASSY	250, 10A, 77°C	1	
5-3	DA71-00092A	FIXER-SENSOR	STS304, T0.5	1	
6	DA63-00155A	COVER-LAMP, FRE	PP	1	
7	DA63-00162A	COVER-SENSOR, B	ABS	1	
8	DA63-00178A	COVER-SENSOR, A	GPPS	1	
9	DA63-00231C	COVER-MULTI FRE, ASSY	PP	1	
9-1	DA32-10105H	SENSOR-ASSY	502AT, TEMP CAP TYPE	1	
9-2	DA47-40112W	LAMP-HOLDER	E-14 BASE, 240V	1	(FREEZER INSIDE SENSOR)
9-3	DA63-00154A	COVER-MULTI, FRE	PP	1	
9-4	DA70-00218A	PLATE-INS, DUCT	RD-PVC, T1.2	2	
9-5	DA71-00158A	REINF-COVER, MULTI	AL, T0.5, FRE	1	
9-6	DA72-00141A	INS-DUCT FRE, UP	FOAM-PS, FRE	1	
9-7	DA72-00158D	SEAL-COVER MULTI, FRE	"L", HOMO-PE, T0.35	1	
9-8	DA72-00159C	SEAL-COVER MULTI, FRE	"R", HOMO-PE, T0.35	1	
9-9	DA72-00226C	SEAL-AIR FRE, UP	OJC-3000, T.7	1	
10	DA67-30367B	CAP-SCREW	SILICON	2	
11	DA97-00360B	COVER-EVAP FRE, ASSY	PP, 230V	1	
11-1	DA31-00027A	MOTOR-FAN(BLDC)	220V/50Hz, UDQM002H4ASS, 2650rpm	1	
11-2	DA31-00016A	FAN-CIRCUIT	ABS, ø 95	1	
11-3	DA61-20128A	SPRING-FAN	STS27, ID.1.0, P17.8	1	
11-4	DA63-00153B	COVER-EVAP, FRE	PP	1	
11-5	DA63-00184A	COVER-MOTOR	PP, BLDC	1	
11-6	DA63-00423A	GROMMET-MOTOR	NBR, BLK	2	
11-7	DA67-00158A	CASE-MOTOR	PP, BLDC	1	
11-8	6002-000215	SCREW-TAPPING	TH-1, M4×16, ZPC(YEL), MSWR10	4	

Indicated part is for electrical safety components

NO	CODE-NO	Product Name	Specification	Quantity	Remark
11-9	DA72-00227A	SEAL-AIR EVAP, FRE	OJC-3000, BLK, T.5	1	
11-10	DA72-00141A	INS-COVER EVAP, FRE	FOAM-PS	1	
11-11	6002-000471	SCREW-TAPPING	TH-1,M4×12, STS304	1	
12	DA61-60183B	RAIL-LOW L, ASSY	HIPS, SC-93437R	2	
12-1	DA61-60179A	RAIL-LOW, L	HIPS, SC-93437R	2	
12-2	DA63-40256B	GROMMET-RAIL	NY-66, SC-93437R	4	
13	DA61-60184B	RAIL-LOW R, ASSY	HIPS, SC-93437R	2	
13-1	DA61-60180A	RAIL-LOW, R	HIPS, SC-93437R	2	
13-2	DA63-40256B	GROMMET-RAIL	NY-66, SC-93437R	4	
14	DA67-00182C	CASE-BASKET UP, ASSY		1	
14-1	DA63-00170C	COVER-BASKET FRONT, A	HIPS	1	
14-2	DA63-00174C	COVER-BASKET FRONT, B	GPPS	1	
14-3	DA67-00150A	CASE-BASKET, UP	PP	1	
15	DA67-00183C	CASE-BASKET LOW, ASSY		1	
15-1	DA63-00170C	COVER-BASKET FRONT, A	HIPS	1	
15-2	DA63-00174C	COVER-BASKET FRONT, B	GPPS	1	
15-3	DA67-00151A	CASE-BASKET, LOW	PP	1	
16	DA67-00180A	SHELF-FRE UP, ASSY		1	
16-1	DA64-00090A	TRIM-SHELF	PE, T1.0	4	
16-2	DA67-00175A	SHELF-FRE, UP	HIPS+GLASS	2	
17	DA67-00181A	SHELF-FRE LOW, ASSY		1	
17-1	DA64-00090A	TRIM-SHELF	PE, T1.0	2	
17-2	DA67-00146A	SHELF-FRE, LOW	HIPS	1	
18	DA66-00047A	TRAY-ICE, ASSY		1	
18-1	DA61-20136A	SPRING-ICE, MAKER	STS304, ID1.0	2	
18-2	DA64-00084A	KNOB-TRAY, ICE	HIPS	2	
18-3	DA66-00032A	TRAY-ICE	W9540	2	
18-4	DA71-00059A	FIXER-TRAY, ICE	HIPS	1	
19	DA67-00186A	CASE-ICE CUBE, ASSY		1	
19-1	DA63-00179A	COVER-TRAY	HIPS	1	
19-2	DA67-00155A	CASE-TRAY, ICE	GPPS	1	

14-2) Refrigerator Room Exploded View(SR-S20.. ~ S22..)



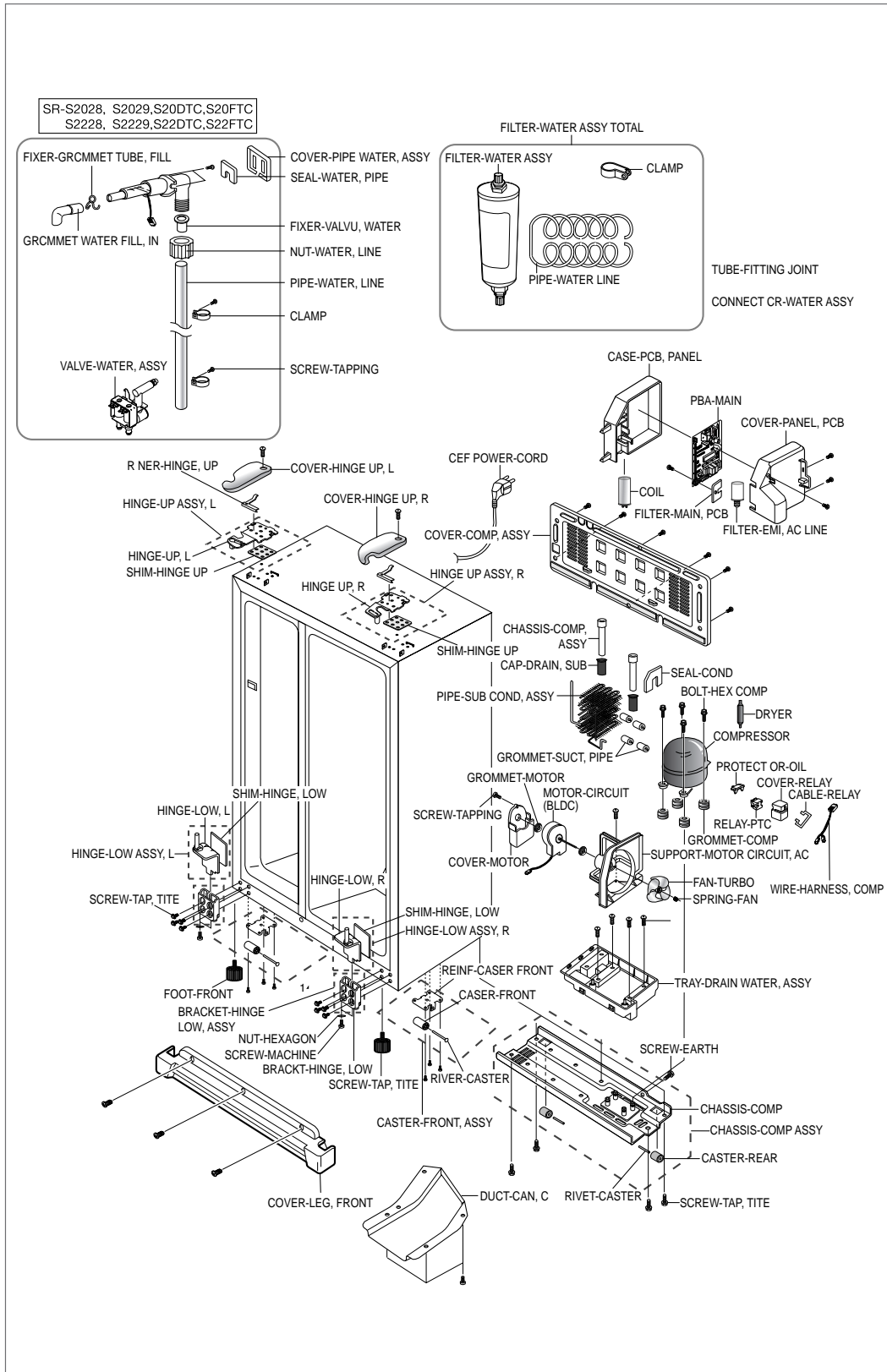
■ Accessory Parts of Refrigerator Room(SR-S20..~S22..)

NO	CODE-NO	Product Name	Specification	Quantity	Remark
1	6002-000215	SCREW-TAPPING	TH-1, M4×16, ZPC(YEL), MSWR1	10	
2	DA34-10110B	SWITCH-DOOR	125/1.5A.25	1	
3	DA47-00022B	HEATER-DRAIN, REF	240V, 25W, 1210Ω	1	
4	DA96-00013B	EVAP-REF, ASSY	230V/50, 110W	1	
4-1	DA32-10109N	SENSOR-ASSY	502AT, L370, YELLOW	1	(DEFROST SENSOR)
4-2	DA47-10148J	THERMO-FUSE, ASSY	250V, 77℃	1	
4-3	DA61-00453A	FIXER-SENSOR	ABS, MOULDING	1	
5	4713-001123	LAMP-INCANDESCENT	240V, 30W, TRP, 25×84mm	2	Fusible Type
6	DA97-00102P	ASSY-COVER MULTI REF		1	
6-1	DA32-10105H	SENSOR-ASSY	502AT, TEMP CAP TYPE	1	(FREEZER INSIDE SENSOR)
6-2	DA47-40112Y	LAMP-HOLDER	E-14 BASE, 240V	1	
6-3	DA63-00158A	COVER-MULTI, REF	PP	1	
6-4	DA71-00149A	REINF-COVER MULTI, REF	AL, T0.5	2	
6-5	DA72-00144A	INS-COVER MULTI, REF	FOAM-PS	1	
6-6	DA72-00154B	SEAL-DUCT, REF	OJC-3007, T5	1	
6-7	DA72-00156A	SEAL-CUTT, FOAM PE	FOAM-PE, T2	1	
6-8	DA72-00156B	SEAL-CUTT, FOAM PE	HOMO-PP, T0.35	1	
7	DA63-00160A	COVER-LAMP, REF	PP	1	
8	DA63-00162A	COVER-SENSOR, B	ABS	1	
9	DA63-00178A	COVER-SENSOR, A	GPPS	1	
10	DA97-03334E	ASSY COVER EVAP-REF	PP, 220V	1	
10-1	DA31-00027A	MOTOR-FAN(BLDC)	UDQM002H4ASS, 2650rpm	1	
10-2	DA31-00016A	FAN-CIRCUIT	ABS, Ø95	1	
10-3	DA61-20128A	SPRING-FAN	STS27, ID1, PI7.8	1	
10-4	DA63-00159A	COVER-EVAP REF	PP	1	
10-5	DA63-00184A	COVER-MOTOR	PP, BLDC	1	
10-6	DA63-40119A	GROMMET-MOTOR	NBR, BLK	2	
10-7	DA67-00158A	CASE-MOTOR	PP, BLDC	1	
10-8	6002-000215	SCREW-TAPPING	TH-1, M4×16, ZPC(YEL), MSWR1	4	
10-9	6002-000471	SCREW-TAPPING	TH-1, M4×12, STS304	1	

Indicated part is for electrical safety components

NO	CODE-NO	Product Name	Specification	Quantity	Remark
10-10	DA72-00142A	INS-COVER EVAP REF, A	FOAM-PS	1	
10-11	DA72-00143A	INS-COVER EVAP REF, B	FOAM-PS	1	
10-12	DA72-00229A	SEAL-AIR REF, UP	OJC-3000, BLK, T5	1	
11	DA63-00365B	COVER-PURIFIER L, ASSY	ABS, WHT	1	
11-1	DA02-90106J	CATALYST-LTC	LTC, SS-400-15-2, T.15	1	
11-2	DA63-00163A	COVER-PURIFIER, L	ABS	1	
12	DA63-00366B	COVER-PURIFIER R, ASSY	ABS, WHT	1	
12-1	DA02-90106J	CATALYST-LTC	LTC, SS-400-15-2, T.15	1	
12-2	DA63-00164A	COVER-PURIFIER, R	ABS	1	
13	DA67-40250F	TRAY-UTILITY	GPPS, NTR	1	
14	DA67-00148A	SHELF-REF, LOW	PP+GLASS	1	
15	DA67-00149A	SHELF-REF, UP	PP+GLASS	3	
16	DA66-00038A	TRAY-CHILLLED, ROOM	GPPS	1	
17	DA61-60183B	RAIL-LOW L, ASSY	HIPS, SC-93437R	1	
17-1	DA61-60179A	RAIL-LOW, L	HIPS, SC-93437R	1	
17-2	DA63-40256B	GROMMET-RAIL	NY-66, SC-93437R	2	
18	DA61-60184B	RAIL-LOW R, ASSY	HIPS, SC-93437R	1	
18-1	DA61-60180A	RAIL-LOW, R	HIPS, SC-93437R	1	
18-2	DA63-40256B	GROMMET-RAIL	NY-66, SC-93437R	2	
19	DA63-10942A	COVER-VEG, LOW	PP, T2.5	1	
20	DA67-00184A	CASE-VEG UP, ASSY		1	
20-1	DA63-00175A	COVER-VEG FRONT, A	HIPS	1	
20-2	DA63-00177A	COVER-VEG FRONT, B	GPPS	1	
20-3	DA64-00085A	KNOB-MOIS, CONTROL	HIPS	1	
20-4	DA67-00152A	CASE-VEG, UP	PP	1	
21	DA67-00185A	CASE-VEG LOW, ASSY		1	
21-1	DA63-00175A	COVER-VEG FRONT, A	HIPS	1	
21-2	DA63-00177A	COVER-VEG FRONT, B	GPPS	1	
21-3	DA64-00085A	KNOB-MOIS, CONTROL	HIPS	1	
21-4	DA67-00153A	CASE-VEG, LOW	PP	1	
22	DA67-4-250C	TRAY-UTILITY	GPPS NTR	1	
23	DA67-00145A	SHELF-WINE	HIPS	1	
24	DA71-20252A	FIXER-GROMMET, DOOR	ABS, W9175	2	
25	DA74-00056C	TANK-WATER, ASS' Y	HP-PE	1	

14-3) Unit Exploded View(SR-S20..~S22..)



■ Part List of Unit Exploded View (SR-S20..~S22..)

NO	CODE-NO	Product Name	Specification	Quantity	Remark
1	DA90-00243K	CABI-FOAM, ASSY	S/WHITE, SC-97527T	1	
2	DA63-00201B	COVER-HINGE UP, L	ABS, SC-97527R, S/WHITE	1	
3	DA61-00059B	HINGE-UP ASSY, L	SHP1, T30	1	
3-1	DA61-00051B	HINGE-UP, L	SHP1, T30	1	
3-2	DA63-50192A	SHIM-HINGE, UP	RD-PVC, T1.0	1	
4	DA63-00200B	COVER-HINGE UP, R	ABS, SC-97527R, S/WHITE	1	
5	DA61-00058B	HINGE-UP ASSY, R	SHP1, T30	1	
5-1	DA61-00052B	HINGE-UP, R	SHP1, T30	1	
5-2	DA63-50192A	SHIM-HINGE, UP	RD-PVC, T1.0	1	
6	DA71-20267A	FIXER-HINGE, UP	SCP1, T3, ZPC3	2	
7	DA60-10123E	SCREW-TAP, TITE	HH, M6×19, ZPC2-W	8	
8	DA60-10122C	SCREW-TAP, TITE	HH, M5×16, ZPC2-W, WSWR10	6	
9	DA61-00056A	CASTER-FRONT, ASSY	SCP1	2	
9-1	DA60-90124A	RIVET-CASTER	MSWR10, OD6.0, L56, ZPC3	1	
9-2	DA61-40115A	CASTER-FRONT	NY-66, BLK, ID6, OD30	1	
9-3	DA71-00064A	REINF-CASTER, FRONT	SHP1, T25	1	
10	DA61-30102C	FOOT-FRONT	PP, L53	2	
11	DA74-00038A	DUCT-CABI, C	ABS	1	
12	DA71-00157A	BRACKET-HINGE LOW, ASSY	SHP1, T26, BLK	2	
12-1	6021-000162	NUT-HEXAGON	2C, M6, ZPC(YEL), SM20C	2	
12-2	DA60-10146A	SCREW-MACHINE	HWH, M5×16, ZPC2, SWRCH10A	2	
12-3	DA71-00131A	BRACKET-HINGE, LOW	SHP1, T26, BLK	1	
13	DA61-00112A	HINGE-LOW ASSY, L	SHP1, T45	1	
13-1	DA61-00096A	HINGE-LOW L	SHP1, T45, BLK	1	
13-2	DA63-50207B	SHIM-HINGE, LOW	RD-PVC, T1.0	1	
14	DA61-00111A	HINGE-LOW ASSY, R	SHP1, T45	1	
14-1	DA61-00095A	HINGE-LOW, R	SHP1, T45, BLK	1	
14-2	DA63-50207B	SHIM-HINGE, LOW	RD-PVC, T1.0	1	
15	DA31-00027B	MOTOR-CIRCUIT(BLDC)	240V/50Hz, UDQM002H4ASS, 2650rpm	1	
16	DA31-00015A	FAN-TURBO	ABS	1	

Indicated part is for electrical safety components

NO	CODE-NO	Product Name	Specification	Quantity	Remark
17	DA61-20128A	SPRING-FAN	STS27, ID1.0, P17.8	1	
18	DA63-00184A	COVER-MOTOR	PP, BLDC	1	
19	DA61-00047A	SUPPORT-MOTOR CIRCUIT, AC	PP, T20, BLDC	1	
20	DA63-00423A	GROMMET-MOTOR	NBR, BLK	2	
21	6002-000213	SCREW-TAPPING	TH-1, M4×12, ZPC(YEL), SWRCH18	19	
22	DA66-00075A	TRAY-DRAIN WATER, ASSY	PP	1	
23	DA63-10352A	COVER-RELAY	BLK, HOOK TYPE	1	
24	6502-000156	CABLE-CLAMP	DAMC-103, SPC1, PE FOAM	2	
25	DA34-10003F	PROTECTOR-O/L	4TM266RFBYY-53	1	
26	DA35-10013B	RELAY-PTC	J531Q35E330M385-2, 385V 6A	1	
27	DA39-00084B	WIRE-HARNESS, COMP	220V	1	
28		CBF(POWER-CORD)		1	
29	DA59-00145A	COMPRESSOR	*DK182QL2U	1	
30	DA63-40004A	GROMMET-COMP	NBR, BLK	5	
31	DA60-20008A	BOLT-HEX, COMP	SM30C, M6, L42.6	4	
32	DA60-10105B	SCREW-TAPPING	PH-1, P14.0, L23, ZPCS-Y, SWRCH1	4	
33	DA60-10107A	SCREW-EARTH	M4-10, BSBN	2	
34	DA60-10124A	SCREW-TAP, TITE	HH, M6×16, ZPC2-Y	10	
35	DA61-00055A	CASE-PCB, PANEL	PP	1	
36	DA71-00155A	FIXER-MAIN, PCB	RD-PVC, T20, NTR	1	
37	DA41-00024A	PBA-MAIN	T1.6*197*123, MAIN PCB ASSY	1	BASIC TYPE
	DA41-00027A	PBA-MAIN	T1.6*197*123, MAIN PCB ASSY	1	ICE & WATER DISP
38	2501-001186	C-OIL	5uF, 350V, BK, 43×55mm	1	
39	DA27-00002A	FILTER-EMI, AC LINE	250V, 10A, 330000pF, 38×50mm	1	
40	DA63-00212A	COVER-PANEL, PCB	PP, T27	1	
41	DA67-00176A	CAP-DRAIN, SUB	NBR, BLK	2	
42	DA74-00044A	HOSE-DRAIN, SUB	LD-PE	2	
43	DA71-00089A	CHASSIS-COMP, ASSY	SBHG1, T1.2	1	
43-1	DA60-90101A	RIVET-CASTER	ZPC2, MSWR10	2	
43-2	DA61-40101C	CASTER-REAR	PP, NTR, BJ-730	2	
43-3	DA71-00058A	CHASSIS-COMP	SBHG1, T1.2	1	

NO	CODE-NO	Product Name	Specification	Quantity	Remark
44	DA72-00176A	SEAL-COND	FOAM-PE, T.7	1	
45	DA63-40171B	GROMMET-SUCT, PIPE	NR, BLK	2	
46	DA63-40171D	GROMMET-SUCT, PIPE	NR, BLK	2	
47	DA73-00078C	PIPE-SUB COND, ASSY	SWST ϕ 4.76	1	
48	DA73-30102A	DRYER	Cu OD18.85L102	1	
49	DA63-00278C	COVER-COMP, ASSY	SBHG1, T0.4	1	
50	DA63-00189B	COVER-LEG, FRONT	HIPP, SC-97527R, S/WHITE	1	
51	DA63-00422A	GROMMET-WATER FILL, IN	SILICON, NTR	1	
52	DA63-00400A	FIXER-GROMMET TUBE, FILL	STS304	1	
53	DA73-00136A	PIPE-WATER FRE. ASSY	AL, 240V 7W	1	
54	DA71-20207A	FIXER-VALVE. WATER	NY-6, NTR	2	
55	DA60-30104A	NUT-WATER. LINE	NY-6	1	
56	DA73-00070C	PIPE-WATER. LINE	LDPE, L2300	1	
57	DA65-20110B	CLAMP	DN-5N, NY-66	6	
58	DA74-40149C	VALVE-WATER. ASSY	RIV-12A-4, 220-240V	1	
59	DA72-00228B	SEAL-WATER. PIPE	FOAM-PE, T10	1	
60	DA63-00432A	COVER-PIPE WATER. ASSY	GALVA+SPONGE	1	

■ Part List of Freezer Room (SR-S2028, S2029, S2228, S2229/S20DTC,S20FTC,S22DTC,S22FTC)

NO	CODE-NO	Product Name	Specification	Quantity	Remark
1	4713-001123	LAMP-INCANDESCENT	240V, 30W, 25×84mm	1	Fusible Type
2	6002-000215	SCREW-TAPPING	TH-1, M4×16, ZPC(YEL), MSWR10	12	
3	DA34-10120A	SWITCH-DOOR	125V/250V, 0.5A, PA6, WHT	1	
4	DA47-00023B	HEATER-DRAIN, FRE	240V, 25W	1	
5	DA59-00068D	EVAP-FRE, ASSY	220V/200W	1	
5-1	DA32-10109R	SENSOR-ASSY	502AT, L540, YELLOW	1	(Defrost Sensor)
5-2	DA47-10115A	THERMO-FUSE, ASSY	250, 10A, 72°C	1	
5-3	DA71-00092A	FIXER-SENSOR	STS304, T0.5	1	
6	DA63-00155A	COVER-LAMP, FRE	PP	1	
7	DA63-00162A	COVER-SENSOR, B	ABS	1	
8	DA63-00178A	COVER-SENSOR, A	GPPS	1	
9	DA63-00231B	COVER-MULTI FRE, ASSY	PP, ET-PJT	1	
9-1	DA32-10105H	SENSOR-ASSY	502AT, TEMP CAP TYPE	1	(Freezer Inside Sensor)
9-2	DA63-00363A	COVER-MULTI, FRE	PP	1	
9-3	DA70-00218A	PLATE-INS, DUCT	RD-PVC, T1.2	2	
9-4	DA72-00245A	INS-DUCT FRE. UP	FOAM-PS, FRE	1	
9-5	DA72-00158D	SEAL-COVER MULTI, FRE	"L", HOMO-PE, T0.35	1	
9-6	DA72-00159C	SEAL-COVER MULTI, FRE	"R", HOMO-PE, T0.35	1	
9-7	DA72-00226C	SEAL-AIR FRE, UP	OJC-3000, T.7	1	
10	DA67-30367B	CAP-SCREW	SILICON	2	
11	DA63-00232B	COVER-EVAP FRE, ASSY	ET-PJT 240V	1	
11-1	DA31-00027A	MOTOR-FAN(BLDC)	UDQM002H4ASS, 2650rpm	1	
11-2	DA31-00016A	FAN-CIRCUIT	ABS, ø 95	1	
11-3	DA61-20128A	SPRING-FAN	STS27, ID.1.0, P17.8	1	
11-4	DA63-00153B	COVER-EVAP, FRE	PP	1	
11-5	DA63-00184A	COVER-MOTOR	PP, BLDC	1	
11-6	DA63-00423A	GROMMET-MOTOR	NBR, BLK	2	
11-7	DA67-00158A	CASE-MOTOR	PP, BLDC	1	
11-8	6002-000215	SCREW-TAPPING	TH-1, M4×16, ZPC(YEL), MSWR10	4	
11-9	DA72-00227A	SEAL-AIR EVAP, FRE	OJC-3000, BLK, T.5	1	
11-10	DA72-00141A	INS-COVER EVAP, FRE	FOAM-PS	1	

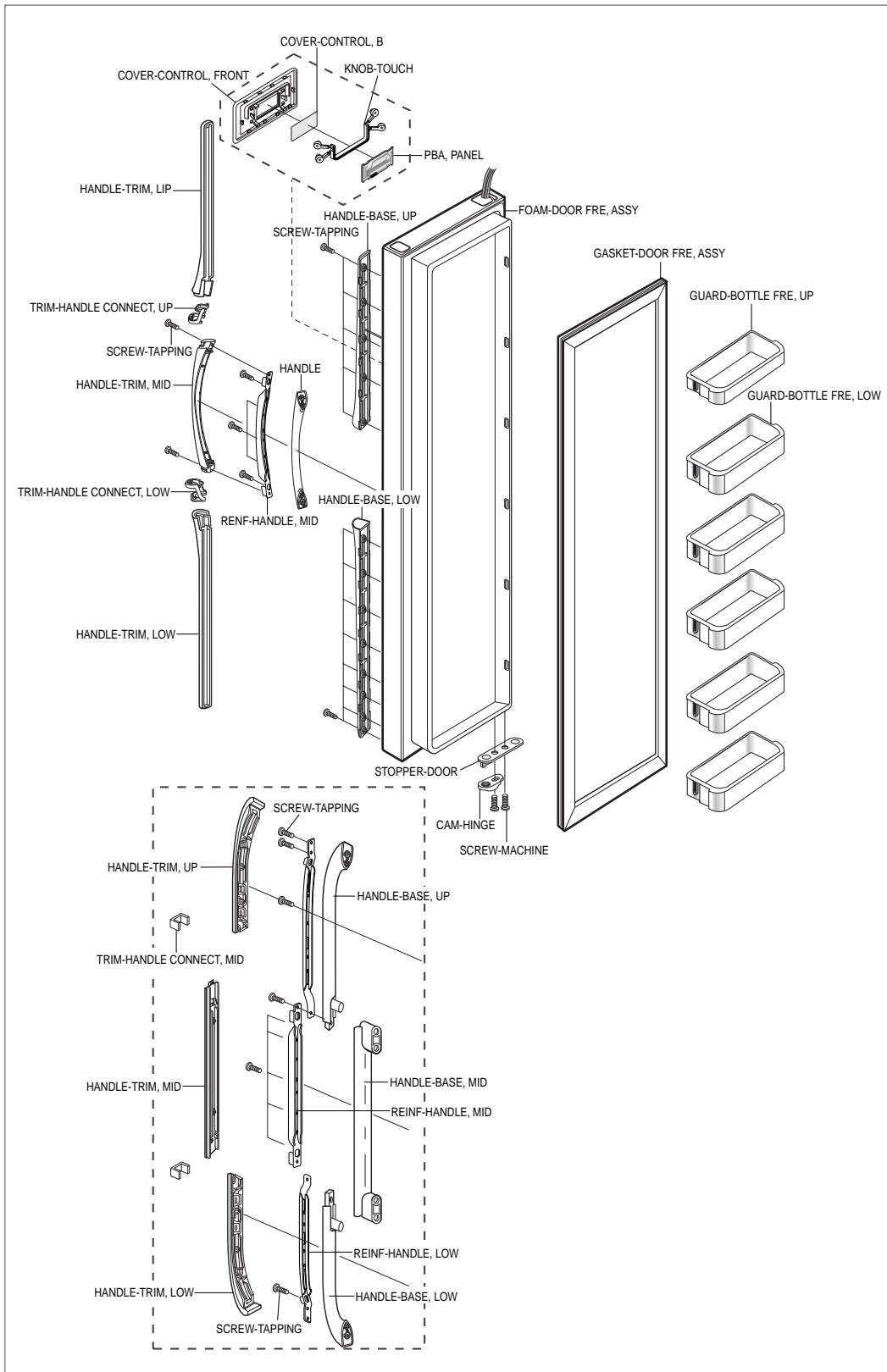
Indicated part is for electrical safety components

NO	CODE-NO	Product Name	Specification	Quantity	Remark
11-11	6002-000471	SCREW-TAPPING	TH-1,M4×12, STS304	1	
11-12	DA63-00417A	GROMMET-CASE, MOTOR	NBR, GRY	1	
12	DA67-00182A	CASE-BASKET UP, ASSY	ET-P/J	1	
12-1	DA63-00170A	COVER-BASKET FRONT, A	HIPS	1	
12-2	DA63-00174C	COVER-BASKET FRONT, B	GPPS	1	
12-3	DA67-00150C	CASE-BASKET, UP	PP	1	
13	DA67-00183C	CASE-BASKET LOW, ASSY	ET-P/J	1	
13-1	DA63-00170A	COVER-BASKET FRONT, A	HIPS	1	
13-2	DA63-00174C	COVER-BASKET FRONT, B	GPPS	1	
13-3	DA67-00151C	CASE-BASKET, LOW	PP	1	
14	DA67-00179C	SHELF-FRE UP, ASSY	ET-P/J	2	
14-1	DA64-00090A	TRIM-SHELF	PE, T1.0	4	
14-2	DA67-00170A	SHELF-FRE, UP	HIPS+GLASS	1	
15	DA67-00181A	SHELF-FRE LOW, ASSY	ET-P/J	1	
15-1	DA64-00090A	TRIM-SHELF	PE, T1.0	2	
15-2	DA67-00146A	SHELF-FRE, LOW	HIPS	1	
16	DA66-00181B	SHELF-FRE LOW, ASSY	ET-P/J	1	
16-1	DA61-20136A	TRIM-SHELF	PE, T1.0	2	
16-2	DA64-00146A	SHELF-FRE, LOW	HIPS	1	
17	DA61-70253B	SUPT-ICE,MAKER	HIPS	1	
18	DA71-20252A	FIXER-GROMMET,DOOR	ABS,W9175	2	
19	DA71-20270A	FIXER-CASE	NBR,SD-8922,T2.5	3	
20	DA59-30103E	ICE-MAKER	ZIPEL,DC 12V,DC 5V	1	
21	DA59-00136A	CRUSHER-ICE,ASSY	ET-PJT	1	
21-1	DA65-20121A	CLAMP-HELIX,DISP	STS304,08	1	
21-2	DA31-20123A	BLADE-DISPENSER	STS420-J2,T2.0	1	
21-3	DA31-20009A	BLADE-DISPENSER	PC,SR-S7240,0D113,T2	1	
21-4	DA31-20120C	BLADE	STS420-J2, T2.0	1	
21-5	DA72-60314A	SEAL-POM	CRUSHER MID, POM	2	
21-6	DA71-20231A	FIXER-GUARD	POM, W9236E	1	
21-7	DA31-20122A	BLADE	STS420-J2, SR-S7180, T2.0	1	

NO	CODE-NO	Product Name	Specification	Quantity	Remark
21-8	DA31-20121A	BLADE	STS420-J2, SR-S7180, T2.0	1	
21-9	DA60-90135A	PIN-SPIRAL	STS420-J2,SR-S7180,T2.0	1	
21-10	DA72-60313A	SEAL-POM	STS420-J2,SR-S7180,T2.0	2	
21-11	DA31-20120B	BLADE	STS420-J2, SR-S7180, T2.0	1	
21-12	DA31-20120A	BLADE	STS420-J2, SR-S7180, T2.0	1	
21-13	DA60-30108A	NUT-HEX	HEX, POM	1	
21-14	DA70-20160B	PLATE-FRONT,DISP	STS304,T1.0	1	
21-15	DA63-10016A	COVER-CRUSHER,DISP	PC/ABS,SC-90417R	1	
21-16	DA71-7003A	GUIDE-ICE,DISPENSER	PC/ABS	1	
21-17	DA61-20124A	SPRING-DISPENSER	STS304,P11.0	1	
21-18	DA60-90135A	PIN	STS304,OD2.4,L51.7,SR-S7180	1	
21-19	DA60-40116A	WASHER-PLAIN	IC20,OD28,T0.5,STS	1	
21-20	DA60-90125A	RING	SK-5H,SR-S7180	1	
21-21	6001-000033	SCREW-MACHINE	TH,M4,L10,STS304	3	
21-22	DA66-00033A	TRAY-ICE,BUCKET	W9540	1	
21-23	DA66-30138A	LEVER-DISPENSER	POM,W9236E,DELRI5	1	
21-24	DA72-60315A	SEAL-EPDM	BUCKET DISP,EPDM	1	
21-25	6002-000471	SCREW-TAPPING	TH,M4,L12,STS304	2	
21-26	DA66-30145A	LEVER-CUBE	MSWR10,-G-PJT,EPC3,DISPENSER	1	
21-27	DA61-20139A	SPRING-ICE,MAKER	STS304,ID0.7,P15.9	1	
21-28	DA71-10010A	REINF-ACTUATOR,DISP	SCP1,ZPC3	1	
21-29	6002-000475	SCREW-TAPPING	TH,M4,L20,STS304	5	
21-30	DA63-00180A	COVER-ICE,BUCKET,A	HIPP	1	
21-31	DA63-00181A	COVER-ICE,BUCKET,B	GPPS W9540B	1	
22	DA61-00143A	CASE-AUGER MOTOR, ASSY	HIPS, ET-PJT	1	
22-1	DA67-00144A	CASE-MOTOR	HIPP, AUGER	1	
22-2	DA31-10141D	MOTOR-GEARD	ISG-320SSD, 230V/50Hz,1.8AUSD-	1	
22-3	DA74-40154C	VALVE-SOLENOID	DPS4, SCP1	1	
22-4	DA72-60348A	SEAL-FOAM PE	SOLENOID, FOAM-PE	1	
22-5	DA66-90003A	GEAR-SOLENOID	POM, SC-93438R	1	
22-6	DA65-20107A	SADDLE-SOLENOID	NY-6, S7180	1	

NO	CODE-NO	Product Name	Specification	Quantity	Remark
22-7	DA63-90008A	BUSH-SOLENOID	POM, SC-93438R	1	
22-8	DA61-20140A	SPRING-SOLENOID	STS304, ID0.7, L30.1, P17.5	1	
22-9	DA60-90137A	PIN-SPRING	STS304, L22, OD2.8, T0.35	1	
22-10	DA60-90137B	PIN-SPRING	STS304, L16, OD2.8, T0.35	1	
22-11	DA61-60001A	SLIDER-SOLENOID, DISP	POM, WHT	1	
22-12	DA71-00163A	FIXER-NUT	STS420-J2	1	
22-13	DA70-20017A	PLATE-D/AUGER, DISP	STS304	1	
22-14	DA60-00001A	SCREW-SPECIAL	HEX, L8.3, STS-304	4	
22-15	DA60-00001B	SCREW-SPECIAL	HEX, L8.3, STS-304	4	
22-16	DA47-40112V	LAMP-HOLDER	UL-SPEC, PBT 5VA, E14	1	
22-17	DA39-00083A	WIRE-HARNESS, SUB	EXP, ET-PJT	1	
22-18	DA60-30109A	NUT	STS420-J2	1	

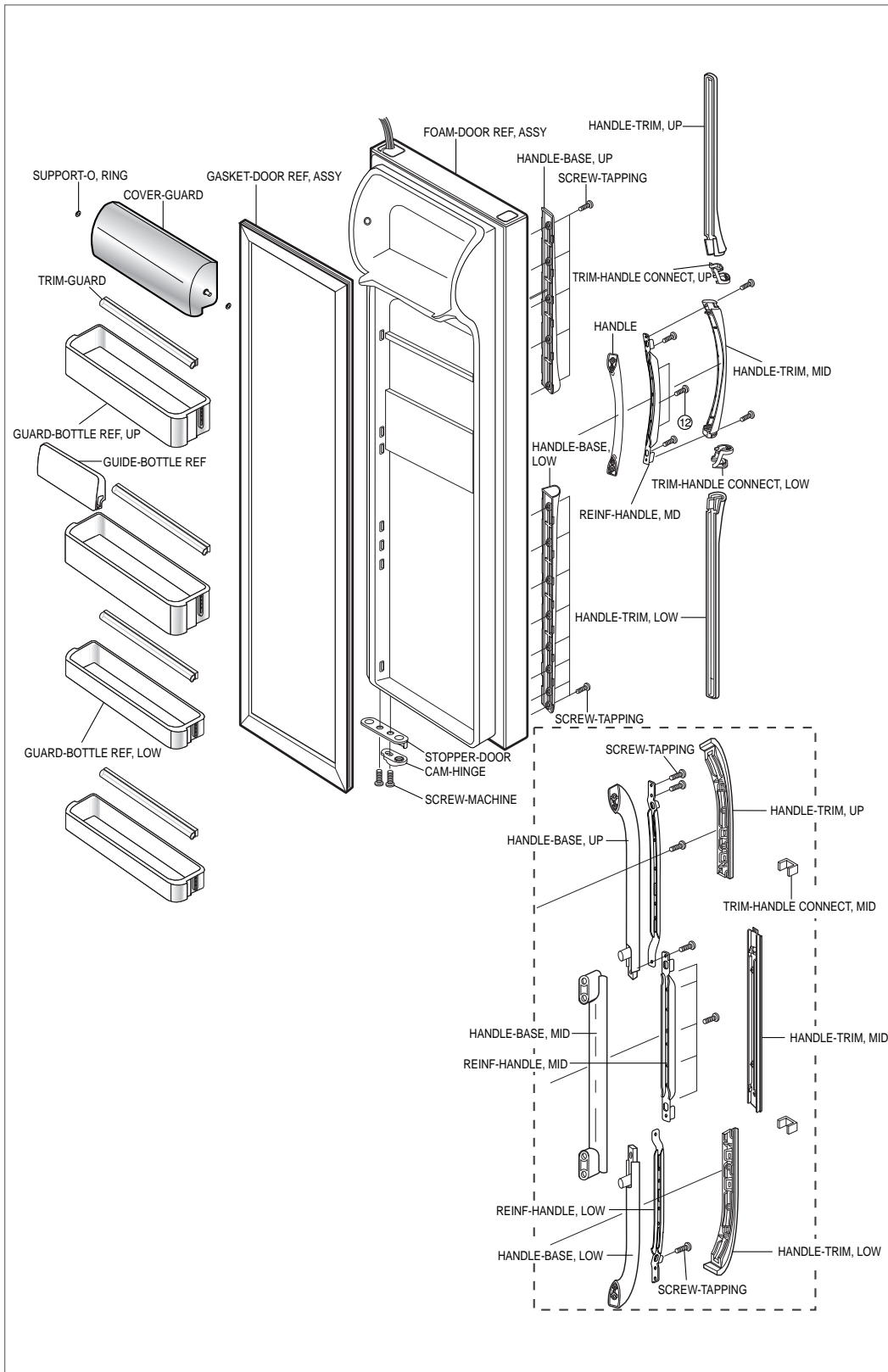
14-5) Freezer Room Door Exploded View (SR-S2026, S2027, S2226, S2227/S20NTC,S20BTC,S22NTC,S22BTC)



■ Part List of Freezer Room Door Exploded View (SR-S2026, S2027, S2226, S2227/S20NTC,S20BTC,S22NTC,S22BTC)

NO	CODE-NO	Product Name	Specification	Quantity	Remark
1	DA91-00655B	FOAM-DOOR FRE, ASSY	EMBO, SC-97527T S/WHITE, 50MM	1	SR-S2026,S2027,S20NTC,S20BTC
	DA64-00654B	FOAM-DOOR FRE, ASSY	EMBO, SC-97527T S/WHITE, 85MM	1	SR-S2226,S2227,S22NTC,S22BTC
2	DA64-00082B	HANDLE-TRIM, UP	ABS, SC-97527R	1	"D"-TYPE
3	DA64-00176B	TRIM-HANDLE CONNECT, UP	ABS	1	"
4	DA64-00081B	HANDLE-TRIM, MID	ABS, SC-97527R	1	"
5	DA64-00177B	TRIM-HANDLE CONNECT, LOW	ABS	1	"
6	DA64-00083B	HANDLE-TRIM, LOW	ABS, SC-97527R	1	"
7	6002-000458	SCREW-TAPPING	FH-2, M4×14, STS304	13	
8	DA64-00093A	HANDLE-BASE, UP	HIPS	1	"D"-TYPE
9	DA64-00094A	HANDLE-BASE, LOW	HIPS	1	"
10	DA64-00080B	HANDLE	HIPS, SC-97527R	1	"
11	DA71-00056A	REINF-HANDLE, MID	SBHG1, T1.4	1	"
12	6002-000470	SCREW-TAPPING	TH-1, M4×10, ZPC, SWRCH18A	3	
13	6002-000468	SCREW-TAPPING	PH-2S, M5×18, ZPC(YEL)	4	
14	DA71-00068A	STOPPER-DOOR	SHP1, T3, BLK	1	
15	DA66-90112A	CAM-HINGE	POM, G4078B	1	
16	6001-000715	SCREW-MACHINE	TH, M5×16, ZPC(YEL), SWRCH18A	2	
17	DA63-30231G	GASKET-DOOR FRE, ASSY	SF-PVC, MAGNET-85g	1	
18	DA63-00191B	COVER-CONTROL, FRONT	ABS, SC-97527R	1	
19	DA63-00190A	COVER-CONTROL, B	GPPS, T2.5	1	
20	DA41-00020A	PBA-PANEL	T1.6, PANEL PCB ASSY	1	
21	DA64-00089B	KNOB-TOUCH	ABS	1	
22	DA63-00213A	GUARD-BOTTLE FRE, UP	HIPP, 50MM	1	SR-S2026,S2027,S20NTC,S20BTC
	DA63-00214A	GUARD-BOTTLE FRE, UP	HIPP, 85MM	1	SR-S2226,S2227,S22NTC,S22BTC
23	DA63-00169A	GUARD-BOTTLE, FRE, LOW	HIPP, 50MM	5	SR-S2026,S2027,S20NTC,S20BTC
	DA63-00169A	GUARD-BOTTLE, FRE, LOW	HIPP, 85MM	1	SR-S2226,S2227,S22NTC,S22BTC
24	DA64-00097B	HANDLE-BASE, UP	ABS, SC-97527R	1	"C"-TYPE
25	DA64-00099B	HANDLE-TRIM, LOW	ABS, SC-97527R	1	"
26	DA64-00100A	HANDLE-TRIM, UP	ABS, SC-97527R	1	"
27	DA64-00096B	HANDLE-BASE, MID	ABS, SC-97527R	1	"
28	DA71-00077A	REINF-HANDLE, MID	SBHG1, T1.4	1	"
29	DA64-00095B	HANDLE-BASE, LOW	ABS, SC-97527R	1	"
30	DA71-00078A	REINF-HANDLE, LOW	SBHG1, T1.4	1	"
31	DA64-00098	HANDLE-TRIM, MID	ABS, SC-97527R	1	"
32	DA64-00196A	TRIM-HANDLE CONNECT, MID	ABS, Cr	2	"

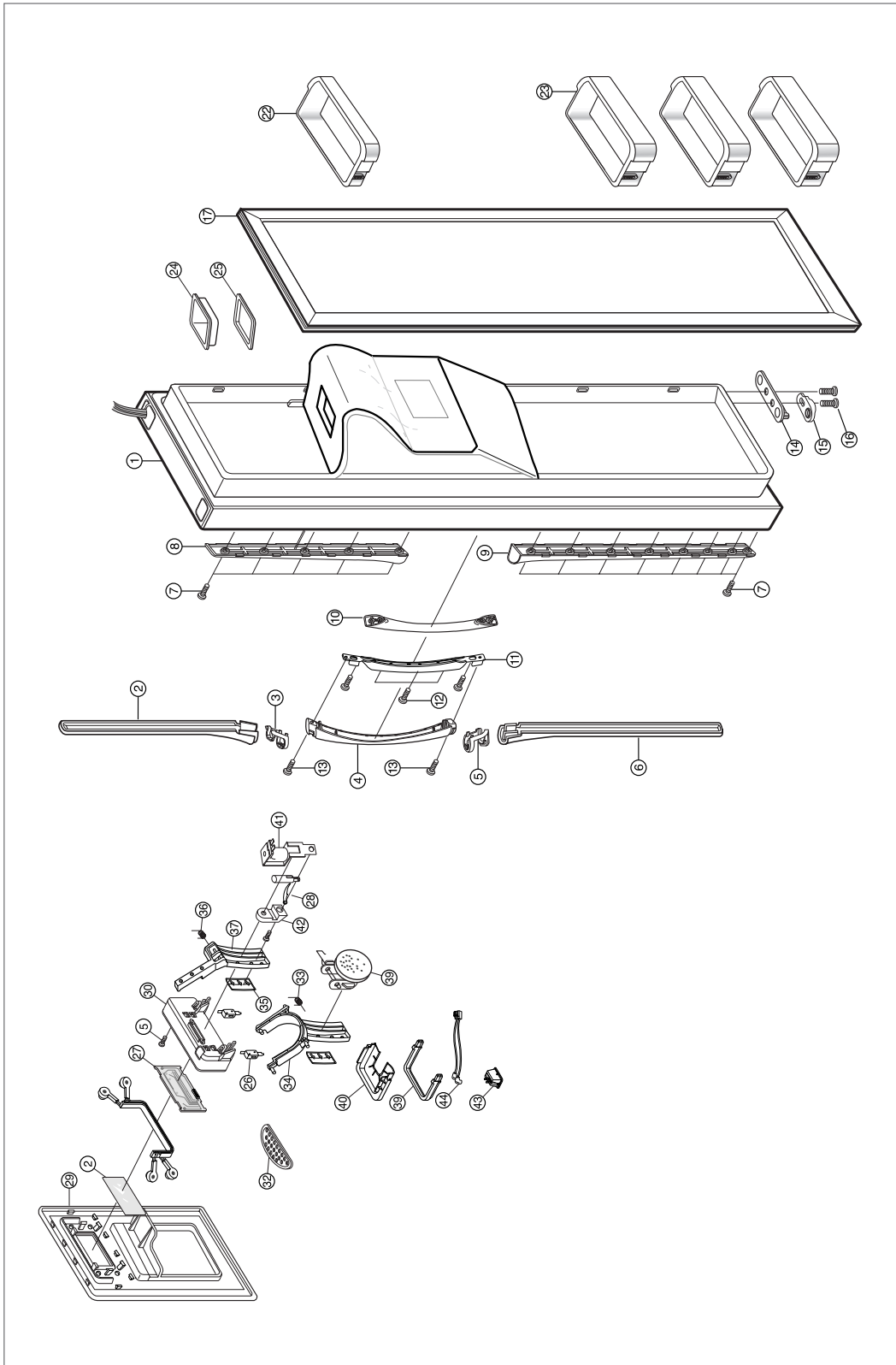
14-6) Refrigerator Room Door Exploded View (SR-S2026, S2028, S2226, S2228/S20NTC, S20DTC, S22NTC, S22DTC)



■ Part List of Refrigerator Room Door Exploded View (SR-S2026, S2028, S2226, S2228/S20NTC, S20DTC, S22NTC, S22DTC)

NO	CODE-NO	Product Name	Specification	Quantity	Remark
1	DA91-00659B	FOAM-DOOR REF, ASSY	EMBO, SC-97527T, S/WHITE 50MM	1	SR-S2026, S2028/S20NTC, S20DTC
	DA91-00658B	FOAM-DOOR REF, ASSY	EMBO, SC-97527T, S/WHITE 85MM	1	SR-S2226, S2228/S22NTC, S22DTC
2	DA64-00082B	HANDLE-TRIM, UP	ABS, SC-97527T, S/WHITE	1	"D"-TYPE
3	DA64-00176B	TRIM-HANDLE, CONNECT, UP	ABS	1	"
4	DA64-00081A	HANDLE-TRIM, MID	ABS, SC-97527T, S/WHITE	1	"
5	DA64-00177A	TRIM-HANDLE, CONNECT, LOW	ABS	1	"
6	DA64-00083B	HANDLE-TRIM, LOW	ABS, SC-97527T, S/WHITE	1	"
7	6002-000458	SCREW-TAPPING	FH, M4×14, STS304	13	
8	DA64-00093A	HANDLE-BASE, UP	HIPS	1	"D"-TYPE
9	DA64-00094A	HANDLE-BASE, LOW	HIPS	1	"
10	DA64-00080B	HANDLE	SC-97527T, S/WHITE	1	"
11	DA71-00056A	REINF-HANDLE, MID	SBHG1, T1.4	1	
12	6002-000470	SCREW-TAPPING	TH-1, M4×10, ZPC, SCRCH18A	3	
13	6002-000468	SCREW-TAPPING	PH-2S, M5×L18, ZPC(YEL), MAWR	4	
14	DA71-00068A	STOPPER-DOOR	SHP1, T3 BLK	1	
15	DA64-00122A	CAM-HINGE	POM, G4078B	1	
16	6001-000715	SCREW-MACHINE	TH, M5×16, ZPC(YEL), SWRCH18A	2	
17	DA63-30232G	GASKET-DOOR REF, ASSY	SF-PVC, MAGNET-85g	1	
18	DA63-00199A	COVER-GUARD	GPPS, 50MM	1	SR-S2026, S2028/S20NTC, S20DTC
	DA63-00176A	COVER-GUARD	GPPS, 85MM	1	SR-S2226, S2228/S22NTC, S22DTC
19	DA63-00168A	GUARD-BOTTLE REF, UP	HIPP, 50MM	2	SR-S2026, S2028/S20NTC, S20DTC
	DA63-00167A	GUARD-BOTTLE REF, UP	HIPP, 85MM	2	SR-S2226, S2228/S22NTC, S22DTC
20	DA66-90112A	TRIM-GUARD	PVC, L350, WHT	4	
21	DA71-00090A	GUIDE-BOTTLE, REF	PP, T2.5	1	
22	DA63-00173A	GUARD-BOTTLE REF, LOW	HIPP, 50MM	2	SR-S2026, S2028/S20NTC, S20DTC
	DA63-00172A	GUARD-BOTTLE REF, LOW	HIPP, 85MM	2	SR-S2226, S2228/S22NTC, S22DTC
23	DA61-00108A	SUPPORT-O, RING	SILICON, NTR	2	
24	DA64-00097B	HANDLE-BASE, UP	ABS, SC-97527R	1	"C"-TYPE
25	DA64-00099B	HANDLE-TRIM, LOW	ABS, SC-97527R	1	"
26	DA64-00100A	HANDLE-TRIM, UP	ABS, SC-97527R	1	"
27	DA64-00096B	HANDLE-BASE, MID	ABS, SC-97527R	1	"
28	DA71-00077A	REINF-HANDLE, MID	SBHG1, T1.4	1	"
29	DA64-00095B	HANDLE-BASE, LOW	ABS, SC-97527R	1	"
30	DA71-00078A	REINF-HANDLE, LOW	SBHG1, T1.4	1	"
31	DA64-00098	HANDLE-TRIM, MID	ABS, SC-97527R	1	"
32	DA64-00196A	TRIM-HANDLE CONNECT, MID	ABS, Cr	2	"

14-7) Freezer Room Door Exploded View (SR-S2028, S2029, S2228, S2229/S20DTC, S20FTC, S22DTC, S22FTC)



■ Part List of Freezer Room Door Exploded View (SR-S2028, S2029, S2228, S2229/S20DTC,S20FTC,S22DTC,S22FTC)

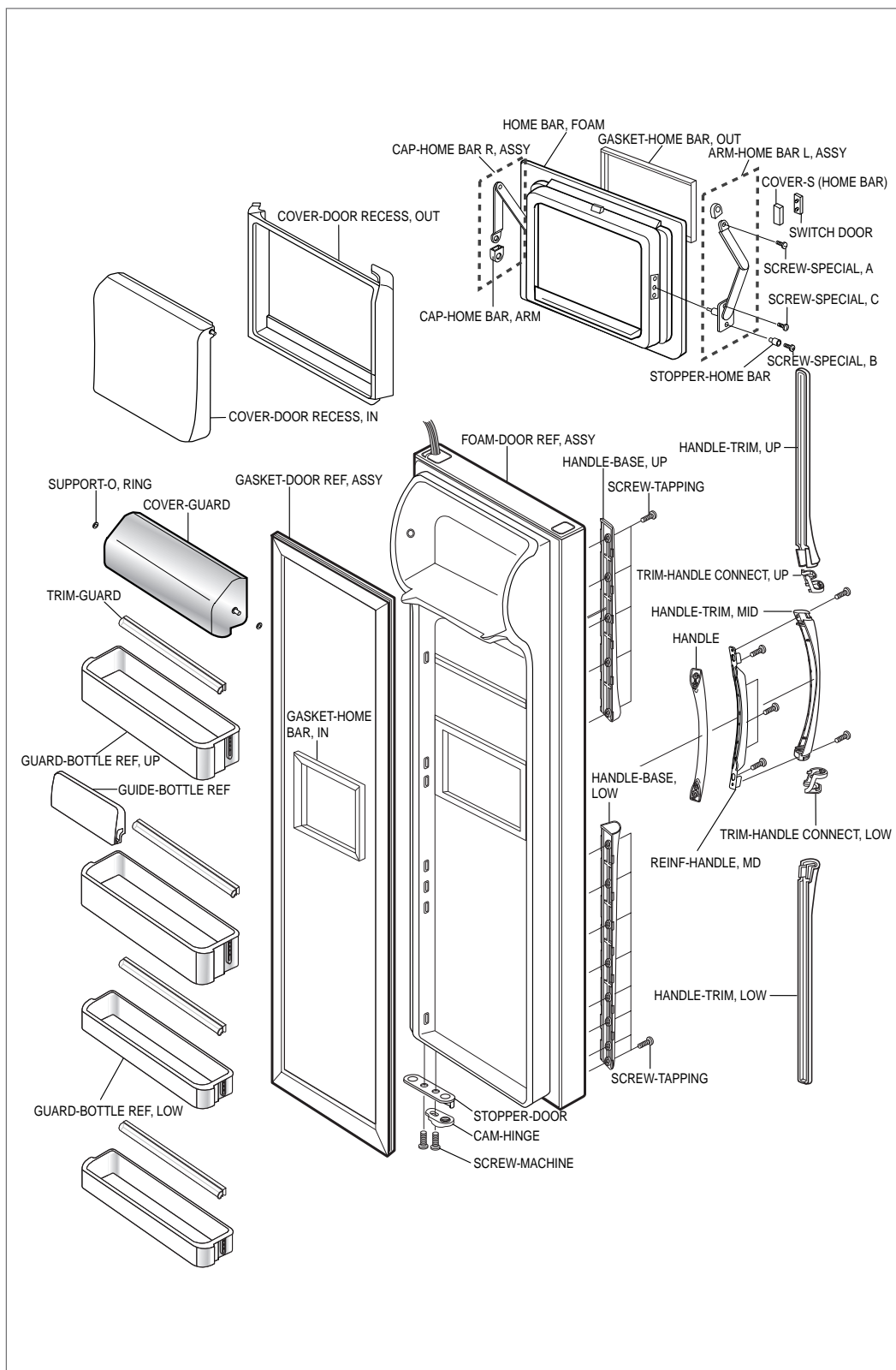
NO	CODE-NO	Product Name	Specification	Quantity	Remark
1	DA91-00655B	FOAM-DOOR FRE, ASSY	EMBO, SC-97527T S/WHITE, 50MM	1	SR-S2028,S2029,S20DTC,S20FTC
	DA64-00654B	FOAM-DOOR FRE, ASSY	EMBO, SC-97527T S/WHITE, 85MM	1	SR-S2228,S2229,S20DTC,S20FTC
2	DA64-00082B	HANDLE-TRIM, UP	ABS, SC-97527R	1	"D"-TYPE
3	DA64-00176B	TRIM-HANDLE CONNECT, UP	ABS	1	"
4	DA64-00081B	HANDLE-TRIM, MID	ABS, SC-97527R	1	"
5	DA64-00177B	TRIM-HANDLE CONNECT, LOW	ABS	1	"
6	DA64-00083B	HANDLE-TRIM, LOW	ABS, SC-97527R	1	"
7	6002-000458	SCREW-TAPPING	FH-2, M4×14, STS304	13	
8	DA64-00093A	HANDLE-BASE, UP	HIPS	1	"D"-TYPE
9	DA64-00094A	HANDLE-BASE, LOW	HIPS	1	"
10	DA64-00080B	HANDLE	HIPS, SC-97527R	1	"
11	DA71-00056A	REINF-HANDLE, MID	SBHG1, T1.4	1	"
12	6002-000470	SCREW-TAPPING	TH-1, M4×10, ZPC, SWRCH18A	3	
13	6002-000468	SCREW-TAPPING	PH-2S, M5×18, ZPC(YEL)	4	
14	DA71-00068A	STOPPER-DOOR	SHP1, T3, BLK	1	
15	DA66-90112A	CAM-HINGE	POM, G4078B	1	
16	6001-000715	SCREW-MACHINE	TH, M5×16, ZPC(YEL), SWRCH18A	2	
17	DA63-30231G	GASKET-DOOR FRE, ASSY	SF-PVC, MAGNET-85g	1	
18	DA63-00191B	COVER-CONTROL, FRONT	ABS, SC-97527R	1	
19	DA63-00190A	COVER-CONTROL, B	GPPS, T2.5	1	
20	DA41-00020A	PBA-PANEL	T1.6, PANEL PCB ASSY	1	
21	DA64-00089B	KNOB-TOUCH	ABS	1	
22	DA63-00213A	GUARD-BOTTLE FRE, UP	HIPP, 50MM	1	SR-S2028,S2029,S20DTC,S20FTC
	DA63-00214A	GUARD-BOTTLE FRE, UP	HIPP, 85MM	1	SR-S2228,S2229,S20DTC,S20FTC
23	DA63-00169A	GUARD-BOTTLE FRE, LOW	HIPP, 50MM	3	SR-S2028,S2029,S20DTC,S20FTC
	DA63-00169A	GUARD-BOTTLE FRE, LOW	HIPP, 85MM	3	SR-S2228,S2229,S20DTC,S20FTC
24	DA67-00163A	CAP-CHUTE, ICE	ABS, WHT, 50MM	1	
	DA67-00162A	CAP-CHUTE, ICE	ABS, WHT, 85MM	1	
25	DA72-00262A	CUSHION-GUIDE ICE, SHUT	SILICON	1	
26	DA63-00188A	SWITCH-MICRO	VP533-OF-5, MICRO, 250V, 15A	2	
27	DA63-00192A	PBA-PANEL	T1.6 * 190 * 70	1	
28	DA63-00410A	SUPT-TIME,DELAY	HIPS, K2007	1	
29	DA66-00037A	COVER-TRIM,RECESS	ABS, SC-97527,S/WHT	1	
30	DA66-00064A	COVER-PANEL PCB,REAR	PP, T2	1	
31	DA61-00088A	COVER-ICE ROUTE, ASSY	SC-97527,S/WHT	1	
32	DA66-00035A	TRAY-DISPENSER	SC-97527,S/WHT	1	

Indicated part is for electrical safety components

■ Part List of Refrigerator Room (SR-S2028, S2029, S2228, S2229/S20DTC,S20FTC,S22DTC,S22FTC)

NO	CODE-NO	Product Name	Specification	Quantity	Remark
33	DA66-00065A	SPRING-DISP ICE, LEVER	STS304, ϕ 7.2	1	
34	DA61-00086A	LEVER-DISPENSER, ICE	ABS, SC-97527R	1	
35	DA66-00036A	LEVER-DISP, SUB	SILICON,SC-98456R	2	
36	DA71-00073A	SPRING-LEVER DISP, WATER	STS304, ϕ 7.2	1	
37	DA71-00181A	LEVER-DISPENSER,WATER	ABS, SC-97527R	1	
38	DA71-00072A	STOPPER-LEVER	NY-66,T2.0	1	
39	DA97-00283A	GASKET-COVER ICE ROUTE	ABS	1	
40	DA72-00262A	GUIDE-LEVER, SUB	SILICON,SC-97527	1	
41	DA74-10268J	VALVE-SOLENOID	CUBE-SN2,SR-S6586B,220-24	1	
42	DA61-70234A	SUPT-TIME DELAY	HIPS S/WHT	1	
43	3402-000165	SWITCH-DISPENSER	DECO 250VAC 6A	1	
44	DA34-00016A	WIRE-DISPENSER S/W		1	

14-8) Refrigerator Room Door Exploded View (SR-S2027,S2029, S2227,S2229/S20FTC,S22BTC,S22FTC)



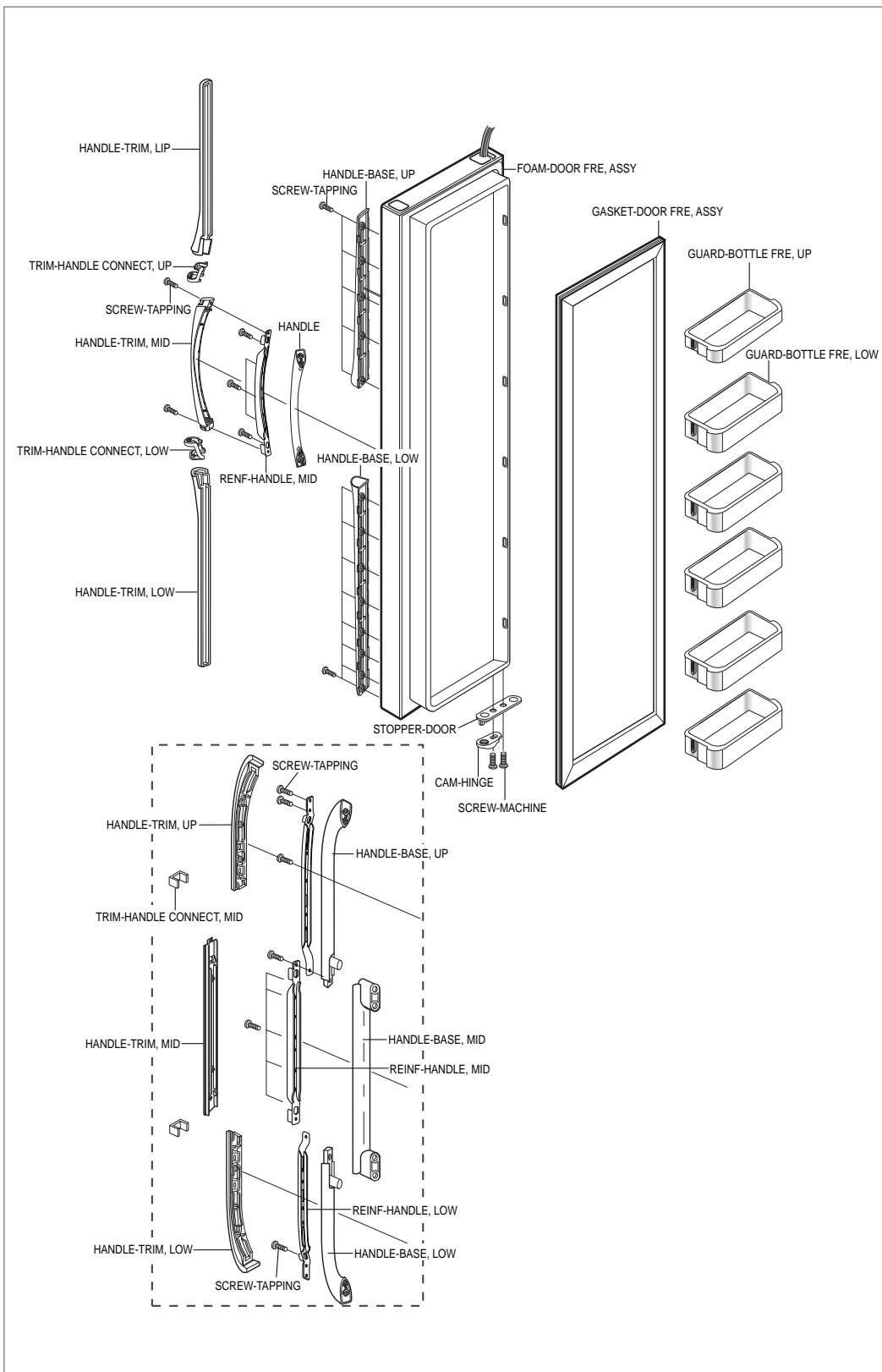
■ Part List of Refrigerator Room Door Exploded View (SR-S2027,S2029, S2227,S2229/S20FTC,S22BTC,S22FTC)

NO	CODE-NO	Product Name	Specification	Quantity	Remark
1	DA91-00659B	FOAM-DOOR REF, ASSY	EMBO, SC-97527T, 50MM	1	SR-S2027,S2029,S22BTC,S22FTC
	DA91-00656B	FOAM-DOOR REF, ASSY	EMBO, SC-97527T, 85MM	1	SR-S2227,S2229,S22BTC,S22FTC
2	DA64-00082B	HANDLE-TRIM, UP	ABS, SC-97527R, S/WHITE	1	"D"-TYPE
3	DA64-00176A	TRIM-HANDLE. CONNECT, UP	ABS, Ni-Cr	1	"
4	DA64-00081B	HANDLE-TRIM, MID	ABS, SC-97527R, S/WHITE	1	"
5	DA64-00177A	TRIM-HANDLE. CONNECT, LOW	ABS, Ni-Cr	1	"
6	DA64-00083B	HANDLE-TRIM, LOW	ABS, SC-97527R, S/WHITE	1	"
7	6002-000458	SCREW-TAPPING	FH, M4×14, STS304	13	
8	DA64-00093A	HANDLE-BASE, UP	HIPS	1	"
9	DA64-00094A	HANDLE-BASE, LOW	HIPS	1	"
10	DA64-00080B	HANDLE	ABS, SC-97527R, S/WHITE	1	"
11	DA71-00056A	REINF-HANDLE, MID	SBHG1, T1.4	1	"
12	6002-000470	SCREW-TAPPING	TH-1, M4×10, ZPC, SCRCH18A	3	
13	6002-000468	SCREW-TAPPING	PH-2S, M5×L18, ZPC(YEL), MAWR	4	
14	DA71-00068A	STOPPER-DOOR	SH-1, T3 BLK	1	
15	DA64-00122A	CAM-HINGE	POM, G4078B	1	
16	6001-000715	SCREW-MACHINE	TH, M5×16, ZPC(YEL), SWRCH18A	2	
17	DA63-30232G	GASKET-DOOR REF, ASSY	SF-PVC, MAGNET-85g	1	
18	DA63-00199A	COVER-GUARD	GPPS, 50MM	1	SR-S2027,S2029,S22BTC,S22FTC
	DA63-00176A	COVER-GUARD	GPPS, 85MM	1	SR-S2227,S2229,S22BTC,S22FTC
19	DA63-00168A	GUARD-BOTTLE REF, UP	HIPP, 50MM	2	SR-S2027,S2029,S22BTC,S22FTC
	DA63-00167A	GUARD-BOTTLE REF, UP	HIPP, 85MM	2	SR-S2227,S2229,S22BTC,S22FTC
20	DA66-90112A	TRIM-GUARD	PVC, L350, WHT	4	
21	DA71-00090A	GUIDE-BOTTLE, REF	PP, T25	1	
	DA63-00173A	GUARD-BOTTLE REF, LOW	HIPP, 50MM	2	SR-S2027,S2029,S22BTC,S22FTC
22	DA63-00172A	GUARD-BOTTLE REF, LOW	HIPP, 85MM	2	SR-S2227,S2229,S22BTC,S22FTC
23	DA61-00108A	SUPPORT-O, RING	SILICON, NTR	2	

Indicated part is for electrical safety components

NO	CODE-NO	Product Name	Specification	Quantity	Remark
24	DA67-00304A	HOME-BAR,FOAM	SC-97527T S/WHITE	1	
25	DA66-00099A	ARM-HOME BAR R,ASSY		1	
25-1	DA67-30271A	CAP-HOME BAR, ARM	NY-60, S/WHITE	2	
26	DA66-00098A	ARM-HOME BAR L,ASSY		1	
27	DA60-10109A	SCREW-SPECIAL,B	STS M7	2	
28	DA60-10110A	SCREW-SPECIAL,C	STS M7	2	
29	DA71-40138A	STOPPER-HOME BAR	NY-66	2	
30	DA60-10108A	SCREW-SPECLAL, A	STS M7	2	
31	DA34-10121A	SWITCH-DOOR	250V 0.5A	1	
32	DA63-10121A	COVER-S/W(HOME BAR)	ABS	1	
33	DA63-00219A	GASKET-HOME BAR, IN	SF-PVC WHITE	1	
34	DA -00225A	GASKET-HOME BAR, OUT	"	1	
35	DA63-00222A	COVER-DOOR RECESS, OUT	GPPS CRISTAL	1	
36	DA63-00223A	COVER-DOOR RECESS,IN	"	1	

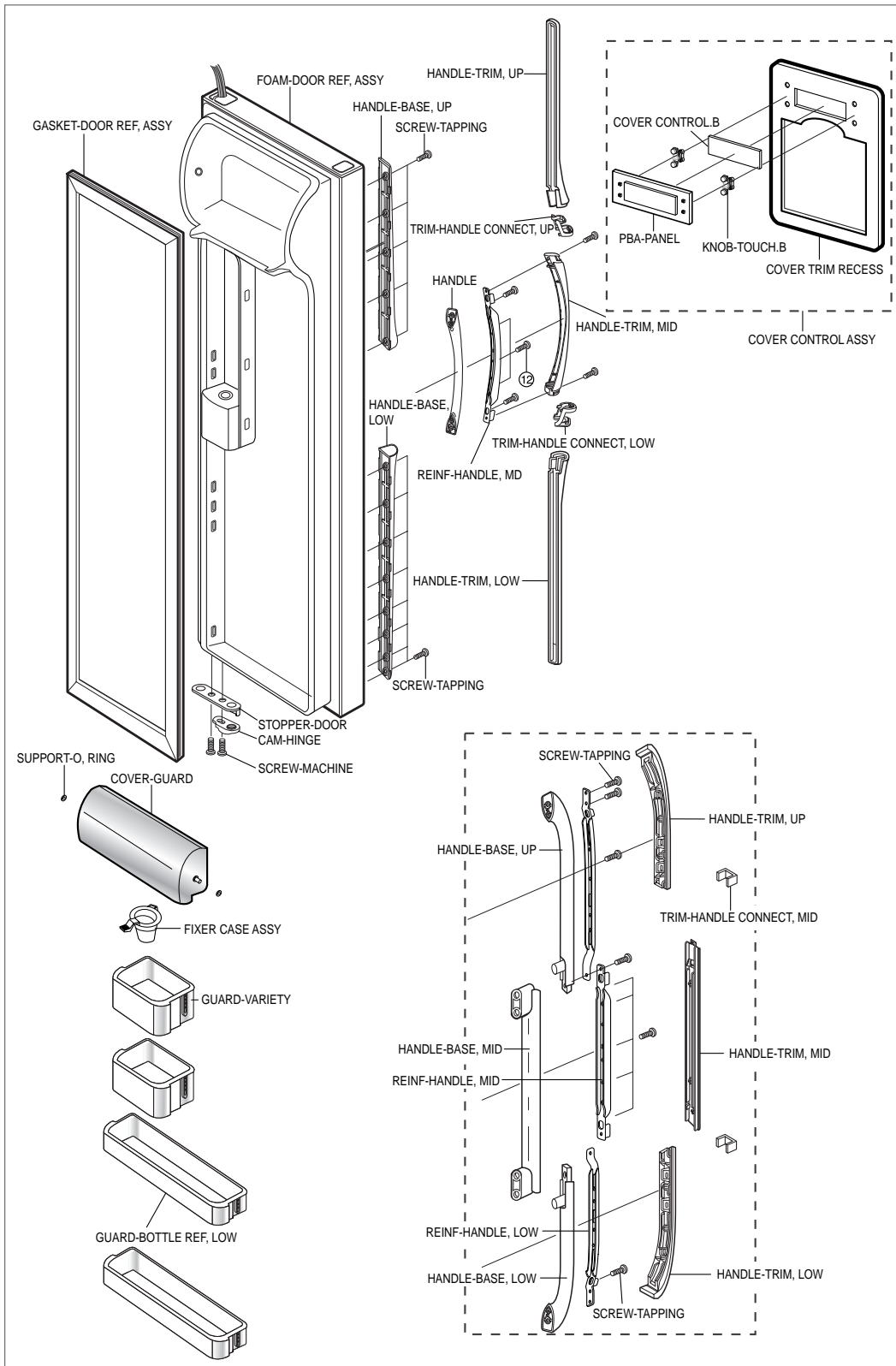
14-9) Freezer Room Door Exploded View (SR-S2025/S20YTC)



■ Part List of Freezer Room Door Exploded View (SR-S2025/S20YTC)

NO	CODE-NO	Product Name	Specification	Quantity	Remark
1	DA91-01515A	FOAM-DOOR FRE, ASSY	EMBO, SC-97527T S/WHITE, 50MM	1	SR-S2025/SR-S20YTC
2	DA64-00082B	HANDLE-TRIM, UP	ABS, SC-97527R	1	“D”-TYPE
3	DA64-00176B	TRIM-HANDLE CONNECT, UP	ABS	1	“
4	DA64-00081B	HANDLE-TRIM, MID	ABS, SC-97527R	1	“
5	DA64-00177B	TRIM-HANDLE CONNECT, LOW	ABS	1	“
6	DA64-00083B	HANDLE-TRIM, LOW	ABS, SC-97527R	1	“
7	6002-000458	SCREW-TAPPING	FH-2, M4×14, STS304	13	
8	DA64-00093A	HANDLE-BASE, UP	HIPS	1	“D”-TYPE
9	DA64-00094A	HANDLE-BASE, LOW	HIPS	1	“
10	DA64-00080B	HANDLE	HIPS, SC-97527R	1	“
11	DA71-00056A	REINF-HANDLE, MID	SBHG1, T1.4	1	“
12	6002-000470	SCREW-TAPPING	TH-1, M4×10, ZPC, SWRCH18A	3	
13	6002-000468	SCREW-TAPPING	PH-2S, M5×18, ZPC(YEL)	4	
14	DA71-00068A	STOPPER-DOOR	SH-1, T3, BLK	1	
15	DA66-90112A	CAMHINGE	POM, G4078B	1	
16	6001-000715	SCREW-MACHINE	TH, M5×16, ZPC(YEL), SWRCH18A	2	
17	DA63-30231G	GASKET-DOOR FRE, ASSY	SF-PVC, MAGNET-85g	1	
18	DA63-00213A	GUARD-BOTTLE FRE, UP	HIPP, 50MM	1	SR-S2025/SR-S20YTC
19	DA63-00169A	GUARD-BOTTLE, FRE, LOW	HIPP, 50MM	5	
20	DA64-00097B	HANDLE-BASE, UP	GPPS	2	“C”-TYPE
	DA63-01020A	GUARD-VARIETY	ABS, SC-97527R	1	SR-S2025/SR-S20YTC
21	DA64-00099B	HANDLE-TRIM, LOW	ABS, SC-97527R	1	“
22	DA64-00100A	HANDLE-TRIM, UP	ABS, SC-97527R	1	“
23	DA64-00096B	HANDLE-BASE, MID	ABS, SC-97527R	1	“
24	DA71-00077A	REINF-HANDLE, MID	SBHG1, T1.4	1	“
25	DA64-00095B	HANDLE-BASE, LOW	ABS, SC-97527R	1	“
26	DA71-00078A	REINF-HANDLE, LOW	SBHG1, T1.4	1	“
27	DA64-00098	HANDLE-TRIM, MID	ABS, SC-97527R	1	“
28	DA64-00196A	TRIM-HANDLE CONNECT, MID	ABS, Cr	2	“

14-10) Refrigerator Room Door Exploded View (SR-S2025/S20YTC)



■ Part List of Refrigerator Room Door Exploded View (SR-S2025/S20YTC)

NO	CODE-NO	Product Name	Specification	Quantity	Remark
1	DA91-01514A	FOAM-DOOR REF, ASSY	EMBO, SC-97527T, S/WHITE 50MM	1	SR-S2025/SR-S20YTC
2	DA64-00082B	HANDLE-TRIM, UP	ABS, SC-97527T, S/WHITE	1	"D"-TYPE
3	DA64-00176B	TRIM-HANDLE, CONNECT, UP	ABS	1	"
4	DA64-00081A	HANDLE-TRIM, MID	ABS, SC-97527T, S/WHITE	1	"
5	DA64-00177A	TRIM-HANDLE, CONNECT, LOW	ABS	1	"
6	DA64-00083B	HANDLE-TRIM, LOW	ABS, SC-97527T, S/WHITE	1	"
7	6002-000458	SCREW-TAPPING	FH, M4×14, STS304	13	
8	DA64-00093A	HANDLE-BASE, UP	HIPS	1	"D"-TYPE
9	DA64-00094A	HANDLE-BASE, LOW	HIPS	1	"
10	DA64-00080B	HANDLE	SC-97527T, S/WHITE	1	"
11	DA71-00056A	REINF-HANDLE, MID	SBHG1, T1.4	1	
12	6002-000470	SCREW-TAPPING	TH-1, M4×10, ZPC, SCRCH18A	3	
13	6002-000468	SCREW-TAPPING	PH-2S, M5×L18, ZPC(YEL), MAWR	4	
14	DA71-00068A	STOPPER-DOOR	SH-1, T3 BLK	1	
15	DA64-00122A	CAM-HINGE	POM, G4078B	1	
16	6001-000715	SCREW-MACHINE	TH, M5×16, ZPC(YEL), SWRCH18A	2	
17	DA63-30232G	GASKET-DOOR REF, ASSY	SF-PVC, MAGNET-85g	1	
18	DA63-00199A	COVER-GUARD	GPPS, 50MM	1	SR-S2025/SR-S20YTC
19	DA63-01020A	GUARD-VARIETY	GPPS	2	SR-S2025/SR-S20YTC
20	DA66-90112A	TRIM-GUARD	PVC, L350, WHT	2	
21	DA71-00090A	GUIDE-BOTTLE, REF	PP, T25	1	
22	DA63-00173A	GUARD-BOTTLE REF, LOW	HIPP, 50MM	2	SR-S2025, S2028, S20NTC, S20DTC
23	DA61-00108A	SUPPORT-O, RING	SILICON, NTR	2	
24	DA64-00097B	HANDLE-BASE, UP	ABS, SC-97527R	1	"C"-TYPE
25	DA64-00099B	HANDLE-TRIM, LOW	ABS, SC-97527R	1	"
26	DA64-00100A	HANDLE-TRIM, UP	ABS, SC-97527R	1	"
27	DA64-00096B	HANDLE-BASE, MID	ABS, SC-97527R	1	"
28	DA71-00077A	REINF-HANDLE, MID	SBHG1, T1.4	1	"
29	DA64-00095B	HANDLE-BASE, LOW	ABS, SC-97527R	1	"
30	DA71-00078A	REINF-HANDLE, LOW	SBHG1, T1.4	1	"
31	DA64-00098	HANDLE-TRIM, MID	ABS, SC-97527R	1	"
32	DA64-00196A	TRIM-HANDLE, CONNECT, MID	ABS, Cr	2	"
33	DA71-20155A	FIXER CASE ASSY	ASSY	1	
34	DA97-00099A	COVER-DISPENSER ASSY	ASSY	1	
35	DA63-00999A	COVER-DISPENSER	ABS	1	
36	DA66-00152A	LEVER-DISPENSER	POM	1	
37	DA64-00498A	KNOB-LEVER	ABS	1	
38	DA61-20146A	SPRING-LEVER	STS304	1	
39	DA64-00121A	KEY-LEVER(LOCK)	POM	1	
40	DA63-00998A	TRAY-DISPENSER	ABS	1	