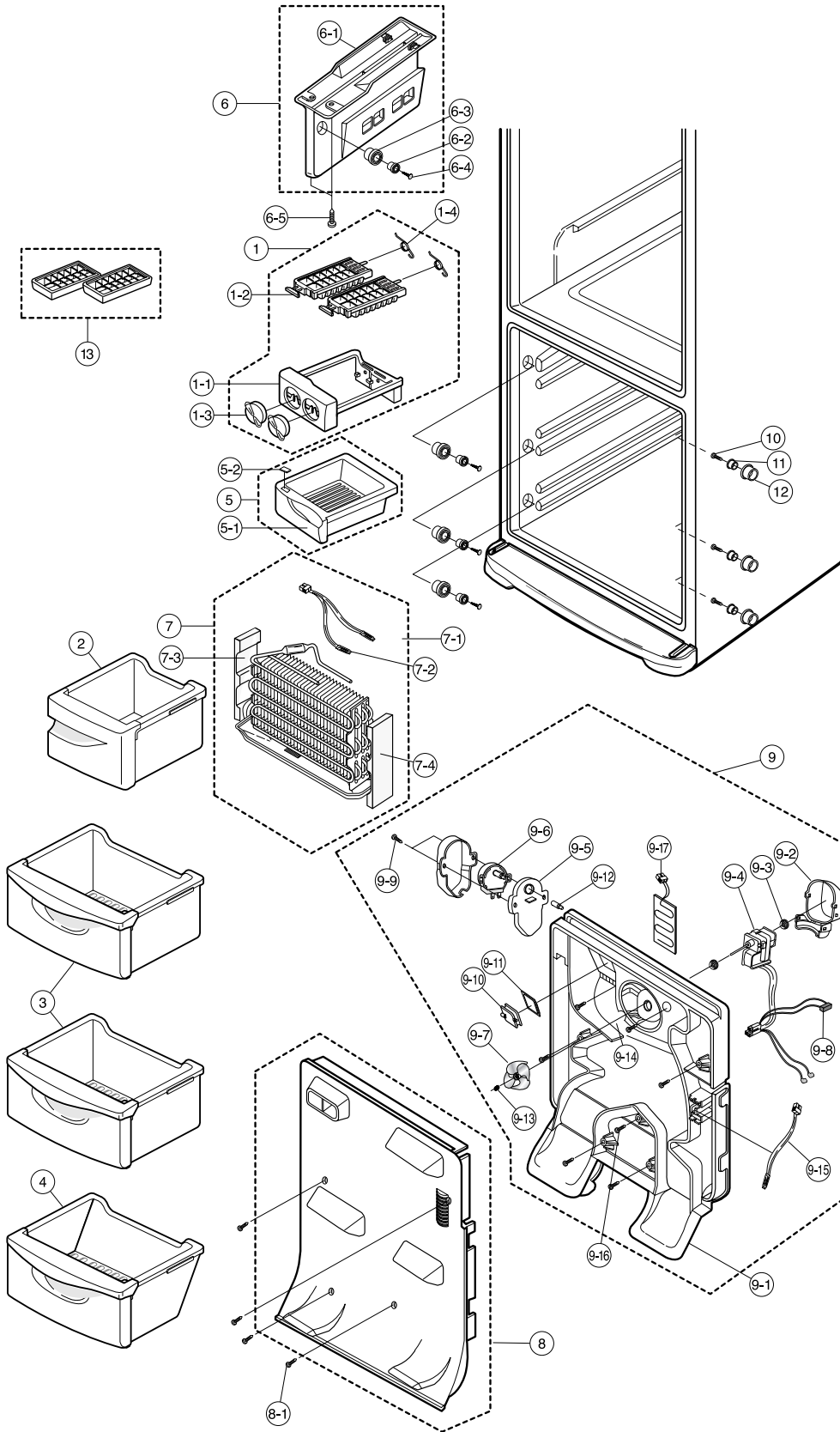


10. Parts List

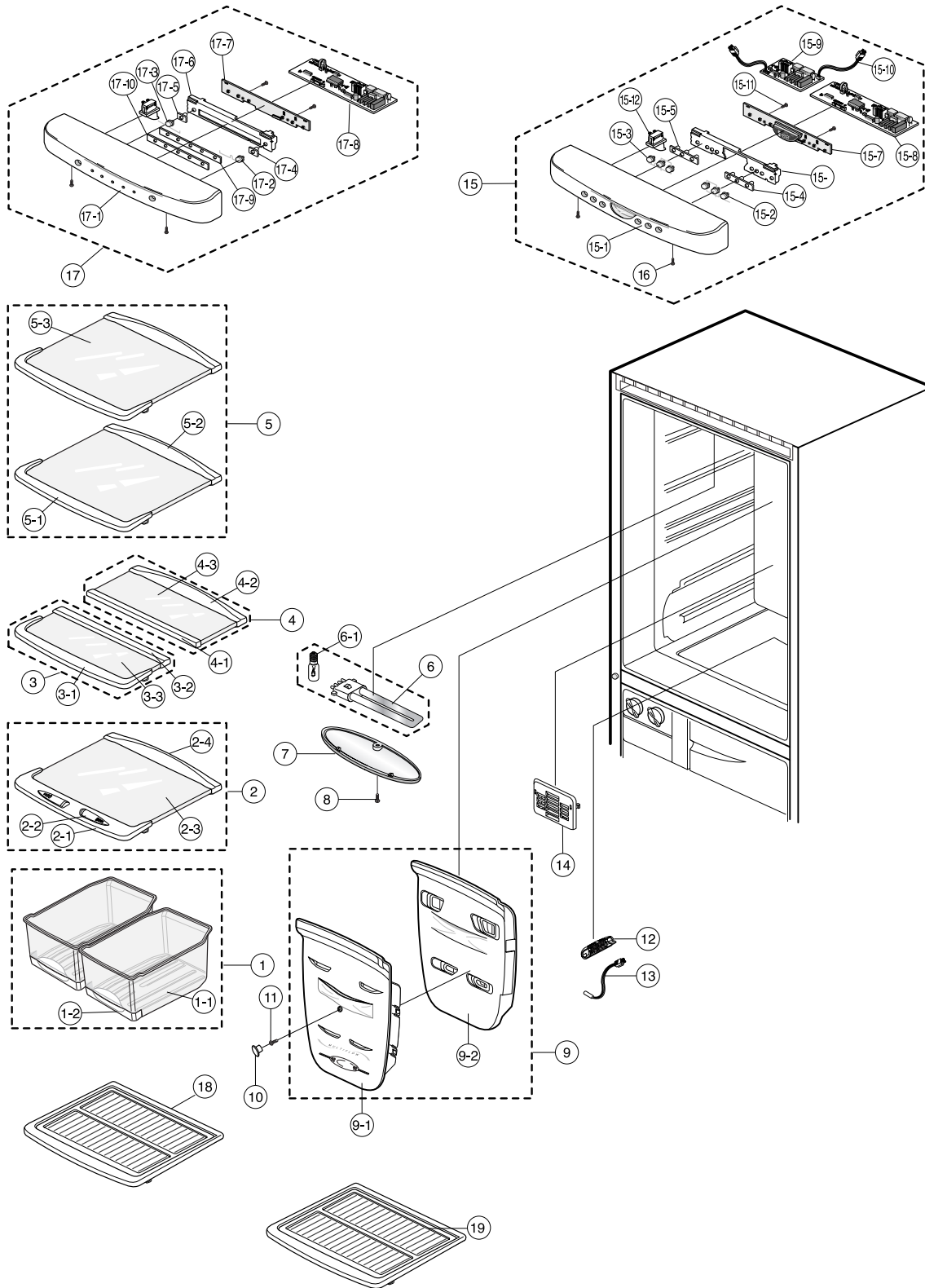
10-1. Freezer Compartment



■ Freezer List

NO	CODE-NO	ITEM	SPECIFICATION	Q'TY	REMARK
1	DA66-00087A	TRAY ICE-ASSY	HIPS,SRL36,L39	1	
1-1	DA71-00108A	FIXER-TRAY ICE	HIPS,W9540,SRL36,L39	1	
1-2	DA66-00071A	TRAY-ICE	SRL36,L39,W9540	2	
1-3	DA64-00158A	KNOB-TRAY ICE	HIPS,W9540,SRL36,L39	2	
1-4	DA61-20136A	SPRING-ICE MAKER	STS304,ID1.0,PI10.5,SR-53E	2	
2	DA66-00086A	TRAY FRE-C-ASSY	SRL36,L39	1	
3	DA66-00091A	TRAY FRE-A-ASSY	WHT	2	
	DA66-00091B	TRAY FRE-A-ASSY	TRANSE PARENT	1	
4	DA66-00092A	TRAY FRE-B-ASSY	WHT	1	
	DA66-00092B	TRAY FRE-B-ASSY	TRANSE PARENT		
	DA66-00101A	TRAY-ICE,CUBE, ASSY	SRL36,L39	1	
5-1	DA66-00056A	TRAY-ICE,CUBE	SRL36,L39	1	
5-2	DA67-00302A	CAP-TRAY-ICE,CLUB		1	
6	DA61-00137A	SUPPORT-RAIL ASSY	HIPS,WHT,SRL36,L39	1	
6-1	DA61-00082A	SUPT-RAIL	HIPS,SRL36,L39,WHT	1	
6-2	DA66-00052A	ROLLER-FRE-A	POM,SRL36,L39	1	
6-3	DA66-00053A	ROLLER-FRE-B	POM,SRL36,L39	1	
6-4	6002-000215	SCREW-TAPPING	TH-1S,M4XL16,ZPC(YEL),MSWR1	1	
6-5	6002-000213	SCREW-TAPPING	TH,M4,L12,ZPC(YEL),SWRCH18	2	
7	DA96-00015A	EVAP ASSY	SRL36,L39,FIN,A1100P-H24,240V,310W	1	
	DA96-00015B	EVAP ASSY	SRL36,L39,FIN,A1100P-H24,220V,310W	1	
	DA96-00024A	EVAP ASSY	SRL36,L39,FIN,A1100P-H24,127V,310W	1	
7-1	DA32-10105Q	SENSOR ASSY	502AT,COMBI-PJT,300,YELLOW,F-DEF-SENSOR	1	
7-2	DA47-10162F	THERMO FUSE	250V,10A,72	1	
7-3	DA60-00053A	SPACER-EVAP,L	127V EVAP ASSY	1	
7-4	DA60-00054A	SPACER-EVAP,I	127V EVAP ASSY	1	
8	DA63-00395E	COVER-EVAP FRONT-ASSY	TWIST,PP	1	
	DA63-00395F	COVER-EVAP FRONT-ASSY	NORMAL,PP	1	
8-1	6002-000215	SCREW-TAPPING	TH,1,M4.0,L16,ZPC(YEL),MSWR1	4	
9	DA63-00396R	COVER EVAP REAR-ASSY	240V/50Hz	1	
	DA63-00396S	COVER EVAP REAR-ASSY	220v/50,60Hz	1	
	DA97-00150A	COVER EVAP REAR-ASSY	127V/60Hz	1	
9-1	DA63-00237A	COVER-EVAP REAR	PP,NTR,SRL36,L39,T1.5	1	
9-2	DA61-00081A	CASE-MOTOR	PP,SRL36,L39,NTR	1	
9-3	DA63-40119A	GROMMET-MOTOR	NBR,BLK	2	
9-4	DA31-00002P	MOTOR-FAN	240V/50Hz, 2550 rpm	1	
	DA31-00002U	MOTOR-FAN	220V/50Hz, 2550 rpm	1	
	DA31-00002X	MOTOR-FAN	127V/60Hz, 2550 rpm	1	
9-5	DA61-00117A	CASE-G-MOTOR	PP,SRL36,L39,NTR	1	
9-6	DA31-10107C	MOTOR-GEARD	M2LA49Z,220V,SR-41~518	1	
	DA31-10107B	MOTOR-GEARD	M2BC59ZR12,110V	1	
9-7	DA31-00019A	FAN-PROPELLER	SRL36,L39,NTR	1	
9-8	DA34-10125B	SWITCH SENSITIVE	5V,Black	1	
9-9	6002-000467	SCREW	PH-2S 4X10 YEL	2	
9-10	DA31-00026A	BLADE	PC,NTR,SRL36,L39	1	
9-11	DA63-00359A	GASKET-BLADE	SILICON	1	
9-12	DA66-00095A	SHAFT-BLADE ASSY	POM,SRL36,L39	1	
9-13	DA61-20128A	SPRING-FAN	STS27,ID1.0	1	
9-14	6002-000215	SCREW-TAPPING	TH,1,M4.0,L16,ZPC(YEL),MSWR1	2	
9-15	DA32-10109P	SENSOR-ASS'Y	502AT	1	
9-16	6006-001083	SCREW ASSY TAPP	TH,M4,L16,ZPC(YEL),SWRCH18	1	
9-17	DA47-00056A	HEATER-EVAP COVER,RE	240V	1	
	DA47-00056B	HEATER-EVAP COVER,RE	220V	1	
	DA47-00056C	HEATER-EVAP COVER,RE	127V	1	
10	6002-000215	SCREW-TAPPING	TH,1,M4.0,L16,ZPC(YEL),MSWR1	6	
11	DA66-00052A	ROLLER-FRE-A	POM	6	
12	DA66-00053A	ROLLER-FRE-B	POM	6	
13	DA67-40146B	TRAY ICE	PE, NTR, SR-1500	2	

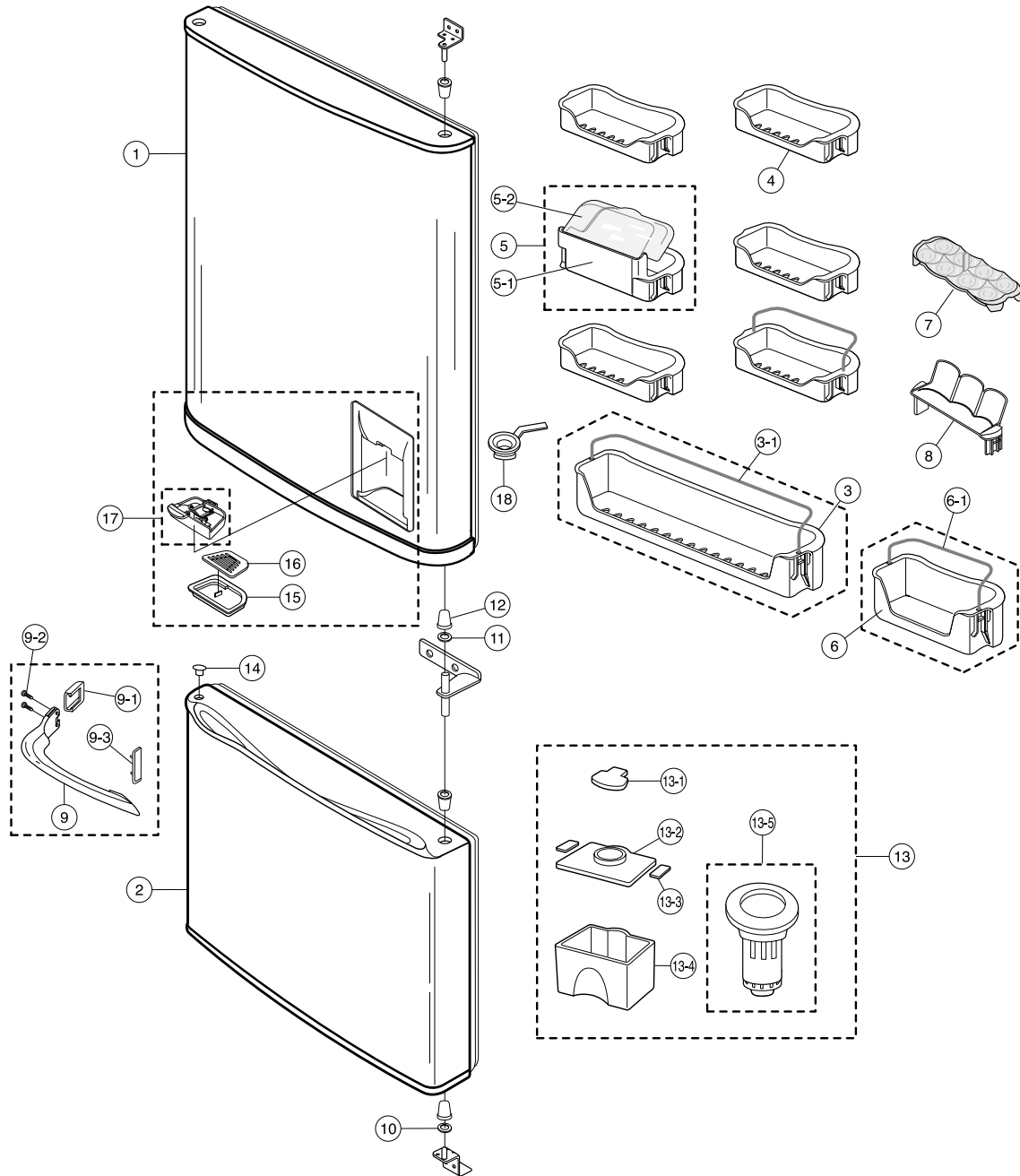
10-2. Refrigerator Compartment



■ Refrigerator List

NO	CODE-NO	ITEM	SPECIFICATION	Q'TY	REMARK
1	DA61-00126B	BOX-VEG ASS,Y		2	
1-1	DA69-00102B	BOX-VEG	GPPS	2	
1-2	DA67-00203A	CAP-VEG	HIPS	2	
2	DA67-00272A	SHELF-VEG ASSY	GLESS	1	
2-1	DA64-00119A	TRIM-SHELF-FRONT, LOW	PP,W9540	1	
2-2	DA66-00061A	LEVER-HUMIDITY	PP,WHT	2	
2-3	DA67-20346K	SHELF GALSS	GLASS,T4	1	
2-4	DA64-00116A	TRIM-SHELF REAR-A	P.P,BJ-730T4	1	
3	DA67-00268A	SHELF REF-B-ASSY	GLASS,,T4	1	
3-1	DA64-00114A	TRIM-SHELF REF-FRONT	P.P,BJ-730T4	1	
3-2	DA64-00115A	TRIM-SHELF REAR-B	PP,W9540	1	
3-3	DA67-20346J	SHELF GALSS	GLASS,T4	1	
4	DA67-00270A	SHELF REF-C-ASSY	GLESS	1	
4-1	DA64-00115A	TRIM-SHELF REAR-B	P.P,W9540	1	
4-2	DA64-00116A	TRIM-SHELF REAR-A	P.P,BJ-730T4	1	
4-3	DA67-20346J	SHELF GALSS	GLASS,T4	1	
5	DA67-00269A	SHELF REF-A-ASSY	GLESS	3	
5-1	DA64-00114A	TRIM-SHELF REF-FRONT	P.P,BJ-730T4	3	
5-2	DA64-00116A	TRIM-SHELF REAR-A	P.P,BJ-730T4	3	
5-3	DA67-20346H	SHELF GALSS	GLASS,T4	3	
6	4713-00104I	LAMP-FLUORESCENT	220V,150mA,11W	1	
6-1	4713-001140	LAMP-INCANDESENT	240V,25W	1	
	4713-001141	LAMP-INCANDESENT	130V,25W	1	
7	DA63-00235A	COVER-LAMP REF	PP	1	
8	6002-000213	SCREW-TAPPING	TH-1S,M4X12,ZPC(YEL)	1	
9	DA97-00228A	COVER DAMPER-REF ASSY	PP,W-9540	1	
9-1	DA63-00239B	COVER-DAMPER REF	PP,W-9540	1	
9-2	DA72-00170A	SPACER-DAMPER, REF	PS	1	
10	DA67-30266D	CAP-SCREW	PP	1	
11	6002-000215	SCREW-TAPPING	TH-1S,M4X12,ZPC(YEL)	1	
12	DA63-10467A	COVER-SENSOR	HIPS	1	
13	DA32-10105B	SENSOR-ASSY	502AT	1	
14	DA63-00234A	COVER-SUCTION, REF	PP,W9540	1	
15	DA63-00870A	COVER-TOP TABEL ASSY	HIPS,SC-97527R	1	
15-1	DA63-00245B	COVER-TOP TABLE ASSY	ABS,SC-97527R,IN HOUSE	1	
15-2	DA64-00118A	BUTTON-PCB, R	ABS,SC-97527R	1	
15-3	DA64-00117A	BUTTON-PCB, L	ABS,SC-97527R	1	
15-4	DA63-00371A	GASKET-BUTTON PCB,R	MBR	1	
15-5	DA63-00390A	GASKET-BUTTON PCB,L	MBR	1	
15-6	DA70-00138A	PLATE-EARTH	SBHG1	1	
15-7	DA41-00014A	PBA-PANEL	COMBI	1	
15-8	DA41-00018B	PBA-MAIN	COMBI	1	
15-9	DA41-00013A	PBA-SUB	240V	1	
	DA41-20160B	PBA-SUB	127V	1	
15-10	DA39-00112A	WIRE HARNESS-INVERTER	INVERTER	1	
15-11	6002-000213	SCREW-TAPPING	TH-1S,M4X12,ZPC(YEL)	2	
15-12	DA34-00015C	SWITCH-DOOR	H3005CL,250V,25W	1	
16	6001-000366	SCREW-MACHING	FH,M4X10,CR PLT,STS304	2	
17	DA97-00526A	COVER TOP TABLE,ASSY	SEMI	1	
17-1	DA63-00328B	COVER TOP TABLE	≥ \varnothing ABS	1	
17-2	DA64-00180B	BUTTON PCB,R	ABS,SC-97527R	1	
17-3	DA64-00180A	BUTTON PCB,L	ABS,SC-97527R	1	
17-4	DA63-00375A	GASKET-BUTTON PCB,R	NBR,BLACK	1	
17-5	DA63-00375A	GASKET-BUTTON PCB,L	NBR,BLACK	1	
17-6	DA70-00208A	PLATE-EARTH	COMBI	1	
17-7	DA41-00043A	PAN-PCB	COMBI	1	
17-8	DA41-00042A	MAIN-PCB	COMBI	1	
17-9	DA67-00329A	COVER DISPLAY	GPPS	1	
17-10	DA67-00444A	GASKET-WINDOW	NBR	1	
18	DA67-00206A	SHELF-REF LOW	GPPS(HF-2660),NTR	1	
19	DA67-00207A	SHELF-REF	GPPS(HF-2660),NTR,SRL36,L39	4	

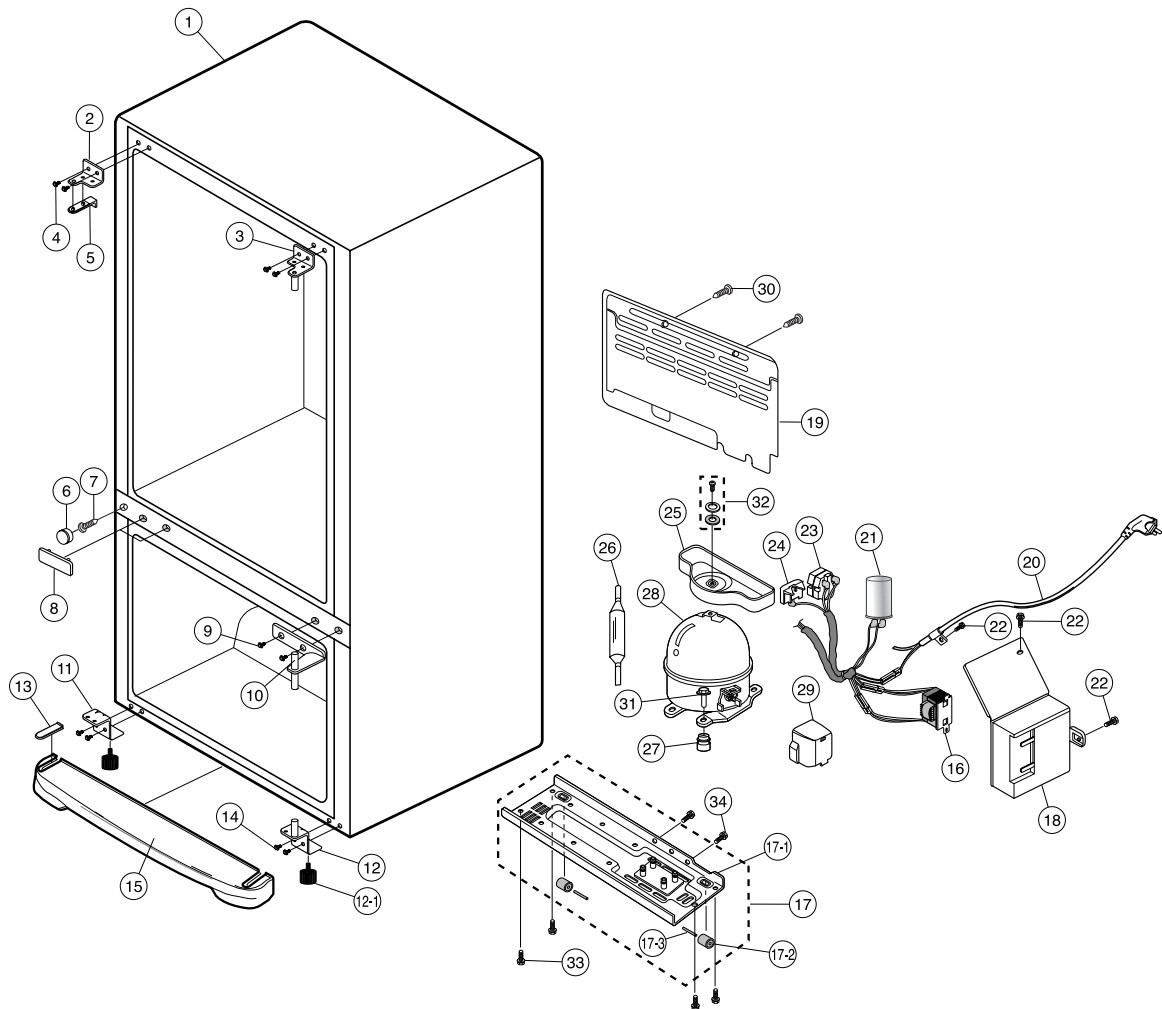
10-3. Door



■ Door List

NO	CODE-NO	ITEM	SPECIFICATION	Q'TY	REMARK
1	DA91-00711A	ASSY DOOR FOAM REF, DISP	SRL39, RICH-ROUND, COOLN'COOL	1	
	DA91-00711B	ASSY DOOR FOAM REF, DISP	SRL39, RICH-ROUND, COOLTECH DY	1	
	DA91-00694A	ASSY DOOR FOAM REF	SRL39, RICH-ROUND, COOL N' COOL	1	
	DA91-00694C	ASSY DOOR FOAM REF	SRL39, RICH-ROUND, COOLATRVH DY	1	
	DA91-00697A	ASSY DOOR FOAM REF	SRL39, RICH-ROUND, BAR-HANDLZ	1	
	DA91-00694B	ASSY DOOR FOAM REF	SRL39, RICH-ROUND, COOOOLATRVH DY	1	
	DA91-00694D	ASSY DOOR FOAM REF	SRL39, RICH-ROUND, COOLTECH DY	1	
	DA91-00697B	ASSY DOOR FOAM REF	SRL39, RICH-ROUND, BAR-HAUDLZ	1	
2	DA91-00699A	ASSY DOOR FIANM FEF	SRL36,39, RICH-ROUND, RECZSS	1	
	DA91-00699B	ASSY DOOR FIANM FEF	SRL36,39, RICH-ROUND, RECZSS	1	
	DA91-00699C	ASSY DOOR FIANM FEF	SRL36,39, RICH-ROUND, RECZSS	1	
	DA91-00701A	ASSY DOOR FIANM FEF	SRL36,39, RICH-ROUND, BAR-HANDLZ	1	
	DA91-00701B	ASSY DOOR FIANM FEF	SRL36,39, RICH-ROUND, BAR-HANDLZ	1	
3	DA63-00228A	GUARD-BOTTLE	GPPS(HF-2660),SD-97527R,SRL36,L39,WHT	1	
	DA63-00228B	GUARD-BOTTLE	GPPS(HF-2660),TRANSPARENT	1	
3-1	DA71-00118A	GUARD-BOTTLE	MSWR10,SNC2,SRL36,L39,PI5.5	1	
4	DA63-00227A	GUARD-VARIETY	REF,GPPS,SC-97527R,SRL36,L39,WHT	5	
	DA63-00227B	GUARD-VARIETY	REF,GPPS,TRANSPARENT	5	
5	DA63-00405A	GUARD-DAIRY ASSY	REF,GPPS,SC-97527R,SRL36,L39,WHT	1	
	DA63-00405B	GUARD-DAIRY ASSY	REF,GPPS,TRANSPARENT	1	
5-1	DA63-00229A	GUARD-DAIRY	REF,GPPS,SC-97527R,SRL36,L39,WHT	1	
	DA63-00229B	GUARD-DAIRY	REF,GPPS,TRANSPARENT	1	
5-2	DA63-00230A	COVER-DAIRY	GPPS,SRL36,L39	1	
6	DA63-00263A	GUARD-BOTTLE-DISP	GPPS,W9540,SRL39,WHT	1	
	DA63-00263B	GUARD-BOTTLE-DISP	GPPS,TRANSPARENT	1	
6-1	DA71-00119A	GUARD-BOTTLE-B	MSWR10,SNC2,SRL39(D),PI5.5	1	
7	DA66-00058A	TRAY-EGG	SRL36,L39,S.S	1	
8	DA63-00380A	GUARD-CAN CARRY	ABS(HG-0760)	1	
9	DA64-00157A	HANDLE BAR(FAT)	ABS(HG-0760S),W-97527R,SRL39	1	
9-1	DA67-00216A	CAP-HANDLE	ABS(HG-0760),W-97527R,SRL39	1	
9-2	6001-000715	SCREW-MACHINE	TH,+.M5 xL16,SWRCH18A	2	
9-3	DA67-00298A	CAP HOLE HANDLE BAR	ABS(HG-0760S),WHT(SC-97527R)	1	
10	DA61-00083A	HINGE-WASHER,LOW	POM(TP-20),NTR	1	
11	DA66-00073D	SHAFT-WASHER,D	T2.0,RD-PVC,N.T.R,SRL36,L39	1	
12	DA63-00247A	GROMMET-HINGE	NY-66,NTR,SRL36,L39,S.S	4	
13	DA74-00054A	TANK WATER-ASSY	PP,SRL39	1	
13-1	DA67-30216A	CAP-COVER WATER	PE,WHT	1	
13-2	DA63-00240A	COVER-WATER TANK	PP,SRL39,S.S	1	
13-3	DA65-20004A	CLAMP-TANK	P.C	2	
13-4	DA74-00051A	TANK WATER	PP,SRL39	1	
13-5	DA61-00139A	CASE-COCK ASSY	ABS,SC-97527R,SRL39,DISP	1	
14	DA67-00194A	CAP-HINGE HOLE	PP,SC-97527R,WHT	1	
15	DA66-00054A	TRAY-DISPENSER-A	ABS(HG-0760H),SRL39,W-97527,S.S,WHT	1	
16	DA66-00055A	TRAY-DISPENSER-B	ABS(HG-0760H),SRL39,W-97527,S.S,WHT	1	
17	DA63-00376A	COVER DISPENSER-ASSY	SRL39	1	
18	DA71-20155B	FIXER-CASE,ASSY	ABS,SR-L5285,L5785,SC-9343	1	

10-4. Cabinet Parts & Unit



■ Cabinet Parts & Unit Lists

NO	CODE-NO	ITEM	SPECIFICATION	Q'TY	REMARK
1	—	ASSY CABI FOAM	—	—	
2	DA61-00075A	HINGE-UPPER-L	SHP1,SRL36,L39,ZPC2	1	
3	DA61-00073A	HINGE-UPPER ASSY-R	SHP1,SRL36,L39,ZPC2	1	
4	DA60-10123E	SCREW-TAP TITE	HH,M6,L19,ZPC2-W,GSD 3KM	4	
5	DA67-00196A	CAP-HINGE HOLE-UPP	PP,SC-97527R,WHT	1	
6	DA67-30218R	CAP-SCREW	ABS,SC-97527	1	
7	DA60-00003A	SCREW-TAP,PH	PH,TAPPING,4X10	1	
8	DA67-00195A	CAP-HINGE HOLE-MID	PP,SC-97527R,WHT	1	
9	DA60-10123E	SCREW-TAP TITE	HH,M6,L19,ZPC2-W,GSD 3KM	2	
10	DA61-00146A	HINGE MID ASSY	SRL36,L39	1	
11	DA61-00128A	HINGE-LOW-L-ASSY	SHP1,SRL36,L39,ZPC2	1	
12	DA61-00127A	HINGE-LOW,R-ASSY	SHP1,SRL36,L39,ZPC2	1	
12-1	DA61-00084A	FOOT-FRONT	PP,NTR,SRL36,L39	2	
13	DA67-00197A	CAP-HINGE HOLE-LOW	PP,SC-97527R,WHT	1	
14	DA60-10124A	SCREW-TAP TITE	HH,M6,L16,ZPC2-Y	4	
15	DA63-00241A	COVER-LEG,FR	SC-97527R	1	
16	DA26-00003A	TRANS DC	240V,50/60Hz	1	
	DA26-00003B	TRANS DC	127V,50/60Hz	1	
17	DA71-00109A	CHASSIS-COMP ASSY	SBHG1	1	
17-1	DA71-00101A	CHASSIS-COMP	SBHG1	1	
17-2	DA61-40115B	CASTER-FRONT	PP,NTR,SR-50	2	
17-3	DA60-90124A	RIVET	MSWR10,OD6.0,L56,ZPC3	2	
18	DA61-00089A	CASE-JUNCTION	PP,SRL36,L39,S,S,NTR	1	
19	DA63-00398A	COVER COMP-ASSY	SBHG1,SRL39	1	
20	-	POWER-CODE	-	1	OPTION
21	2501-001185	C-OIL	3.5 μ F,350V	1	
	2501-001185	C-OIL	5 μ F,350V	1	
	2501-001045	C-OIL	12 μ F,250V	1	
22	6002-001118	SCREW-TAPPING	TH,SOCKET(HEX),M4	3	
23	DA35-10013B	RELAY-PTC	J531Q35E330M3852	1	
	DA35-10013E	RELAY-PTC	J531Q33E100M2002	1	
24	DA34-10003H	PROTECTOR-O/L	4TM213PHBY-53	1	
	DA34-10003N	PROTECTOR-O/L	4TM412PHBY-53	1	
25	DA66-00031C	TRAY-DRAIN WATER	T3-P/J(2ND),S,S,0.6	1	
26	DA73-30102B	DRYER-ASSY	CU,OD18.85,ID2,L102,2P,10.0G	1	
27	DA63-40004A	GROMMET-COMP	NBR	4	
28	DK4A1Q-L1U	COMPRESSOR	R600a	1	
	SK170H-L1U	COMPRESSOR	R134a	1	
	DK172P-L2U	COMPRESSOR	R134a	1	
29	DA63-10352A	COVER-RELAY	BLK	1	
30	6002-000217	SCREW-TAPPING	TH,4X8,ZPC(YEL),MSWR10	2	
31	DA60-20008A	BOLT-HEX	SM30C,L42.6	4	
32	DA60-00018A	SCREW-ASSY	TH+,STS304	2	
33	DA60-10124A	SCREW-TAP TITE	HH,M6,L16,ZPC2-Y	4	
34	DA60-10107A	SCREW-EARTH	BSBN PT M4X10	2	