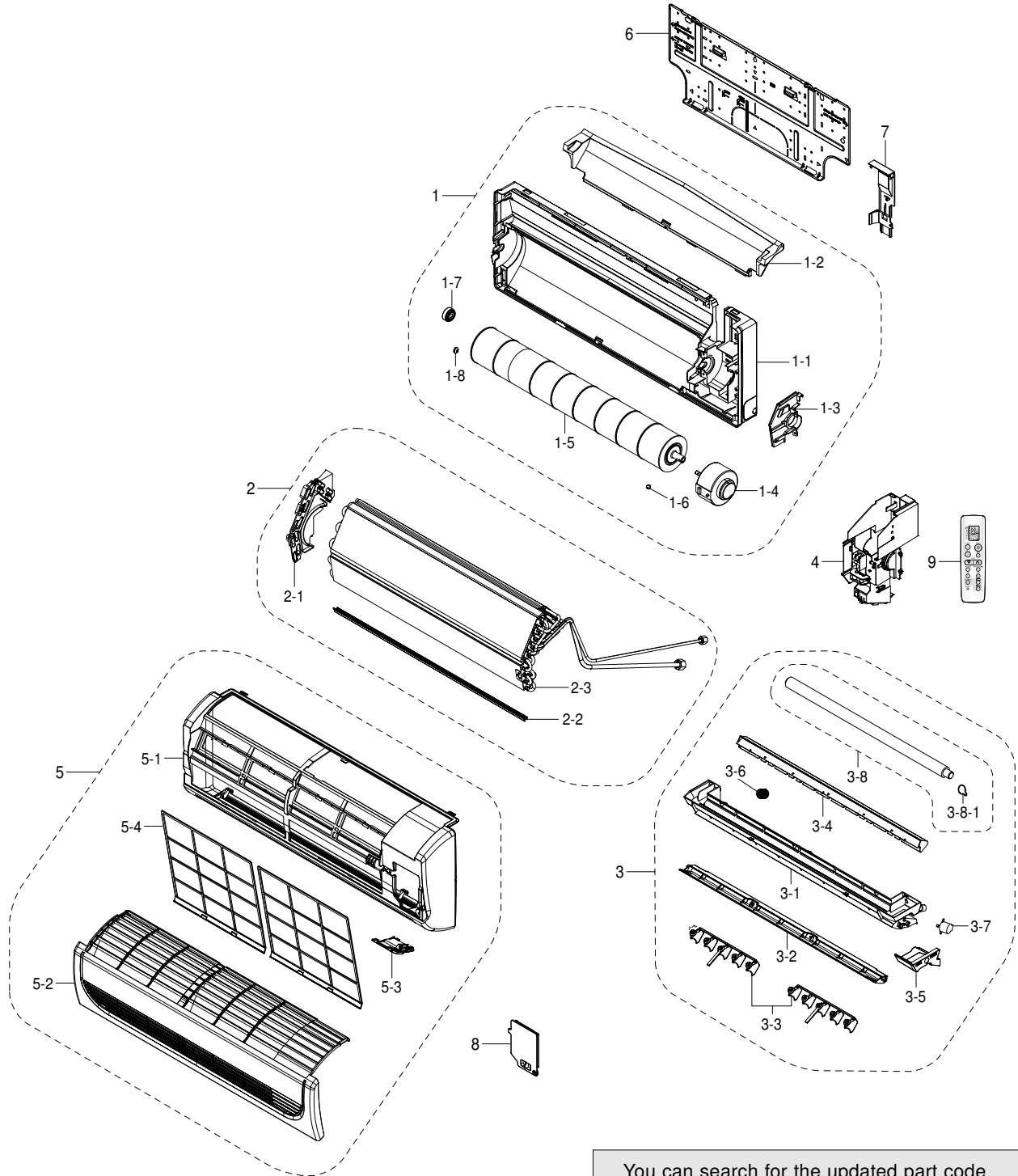


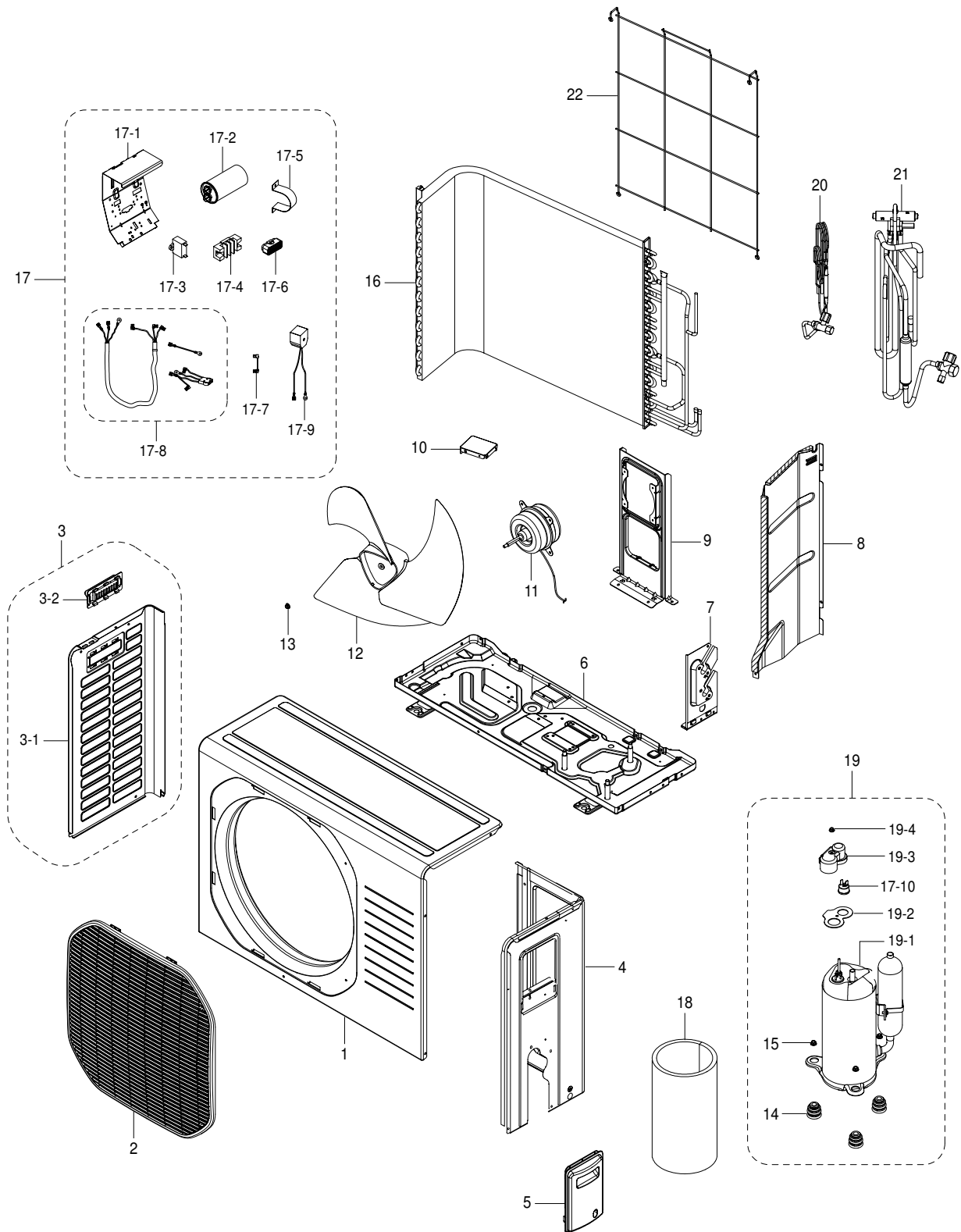
## 6. Exploded Views and Parts List

### 6-1 Indoor Unit

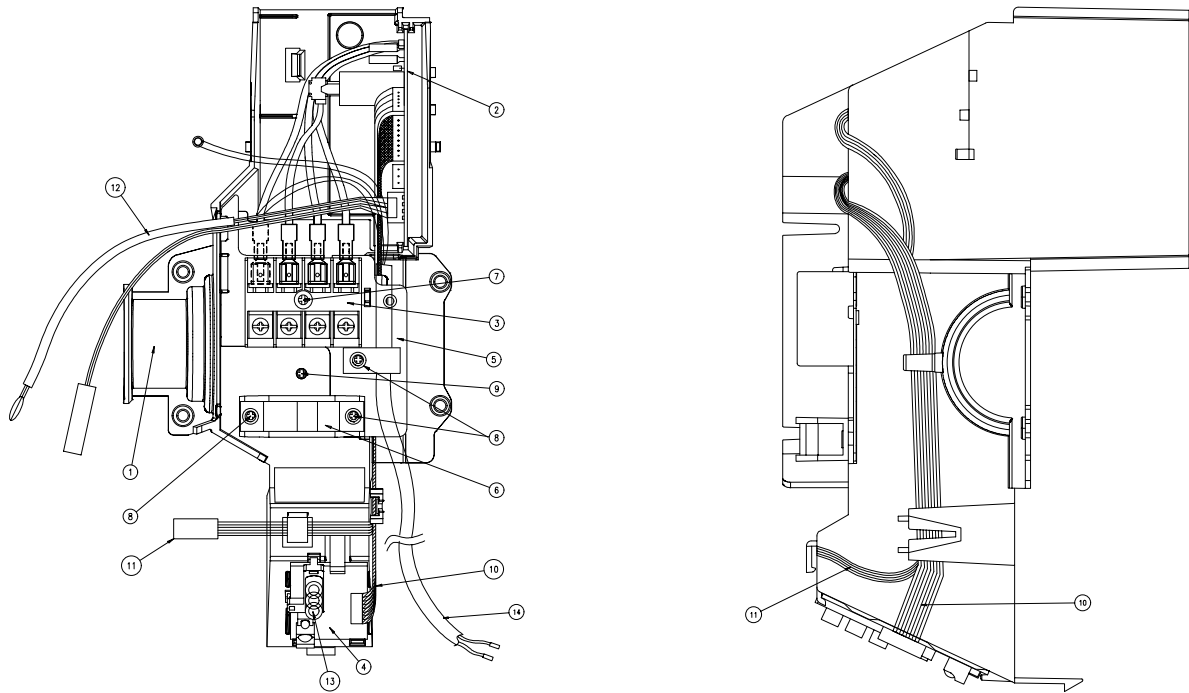


You can search for the updated part code number through the ITSELF.  
URL : <http://itself.sec.samsung.co.kr>

## 6-2 Outdoor Unit



### 6-3 Ass'y-Control In(Code No : DB93-02481\*)



Code No.	MODEL	Code No.	MODEL
DB93-02481L	SH09AWH/EDC, SH12AWH/EDC, SH09ZWH/EDC,	DB93-02481G	KFR-35G/SWA
	SH12ZWH/EDC, AQ09WHWE/FES, AQ12WHWE/FES	DB93-02481J	KFR-25G/SWA
DB93-02481C	SH09ZWH/XSA, SH12ZWH/XSA		
DB93-02481E	SH09ZWH/SER, SH12ZWH/SER, SH09ZWH/XFO, SH12ZWH/XFO		

#### ■ Parts List

No.	Code No.	Description	Specification	Q'TY	Remark
1	DB61-01637A	CASE-CONTROL	ABS	1	
2	DB93-02482A	ASS'Y PCB MAIN	FR-4, 120x90	1	
3	DB65-00140A	ASS'Y TERMINAL BLOCK	4P	1	
4	DB93-02483A	ASS'Y S/W & MODULE & DISPLAY PCB	FR-1, 30x70	1	
5	DB61-01639A	PLATE-CONTROL	SGCC-M, T1-2	1	
6	DB61-00171A	HOLDER-WIRE CLAMP	ABS	1	
7	-	SCREW-MACHINE	PH M3xL22	1	SNA
8	-	SCREW-MACHINE	TH M4xL16	2	SNA
9	-	SCREW-MACHINE	TH M4xL10	1	SNA
10	DB39-00949A	CONNECTOR WIRE S/W & MODULE & DISPLAY	8P	1	
11	DB39-00147D	CONNECTOR WIRE STEP MOTOR UP/DOWN	5P	1	
12	DB32-00020D	ASS'Y THERMISTOR WIRE	4P(103AT)	1	
13	DB63-00851A	COVER CLAMP	HIPS	1	
14	-	POWER CORD	3P	1	