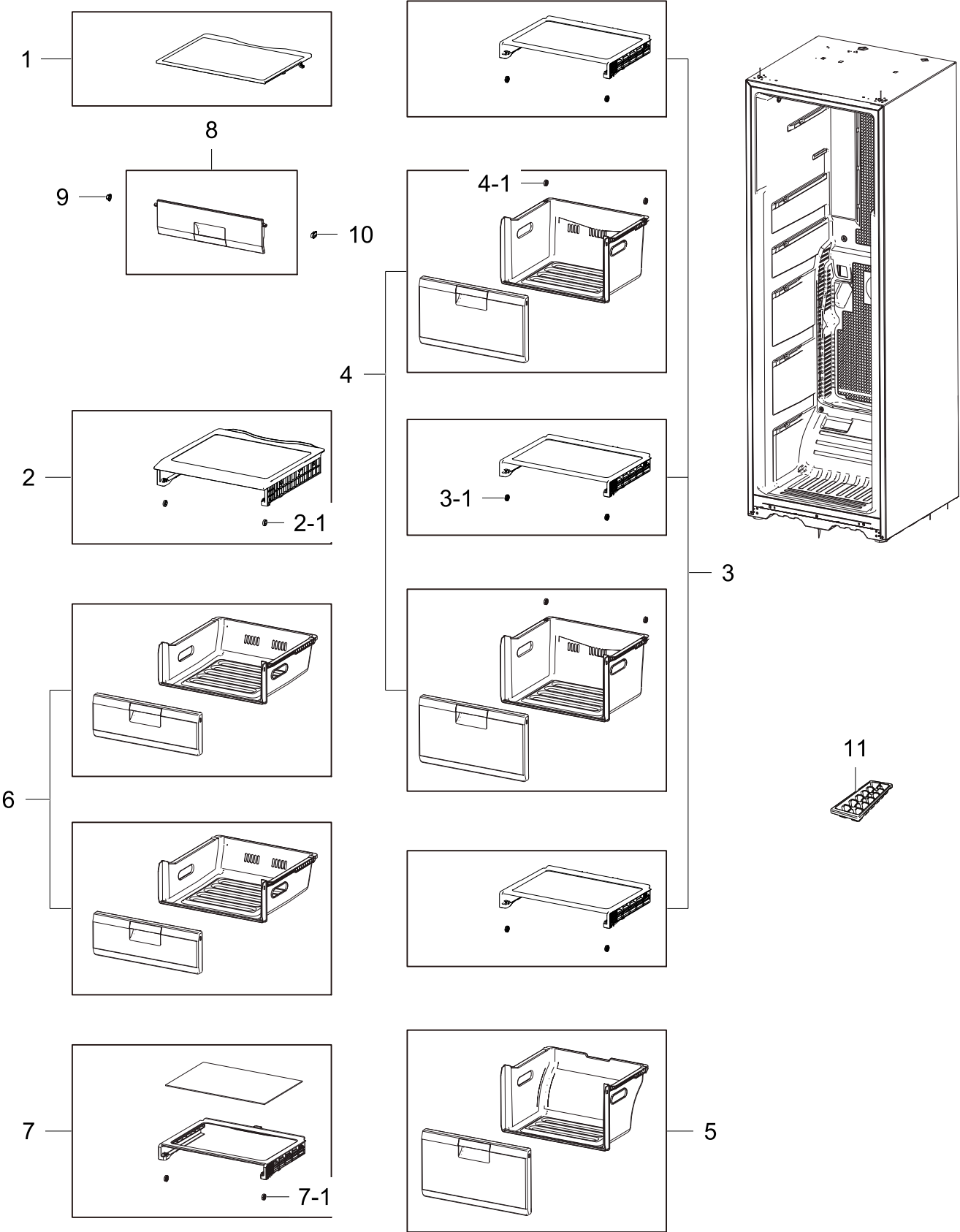


1. Freezer

Exploded View

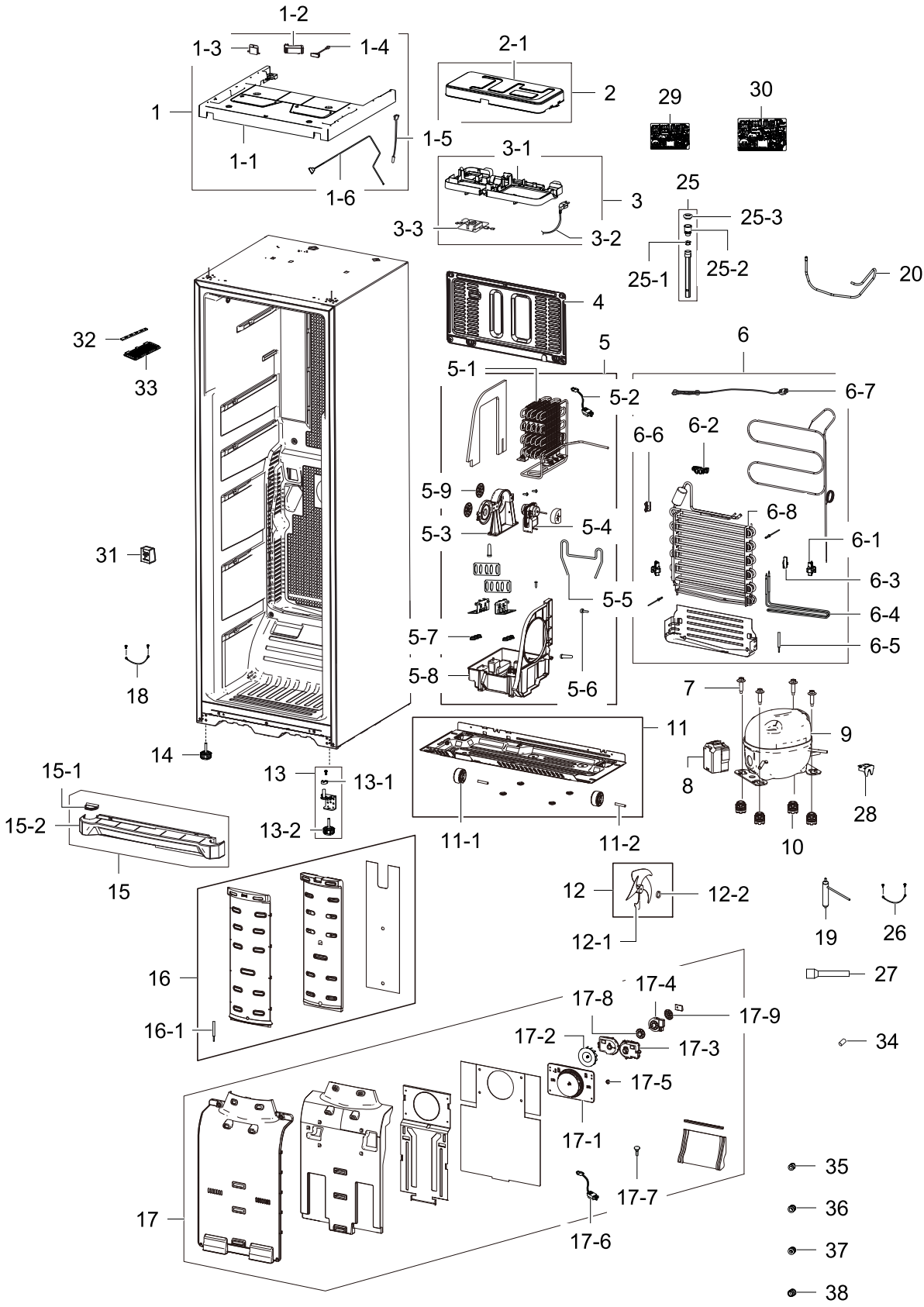


Parts List

No.	Lvl.	Loc.	Material Code	Description & Specification	SNA	Qty.
1	2		DA67-03112A	SHELF-UPP; TWIN K,PP,2.5,COOL WHITE	SA	1
2	2	RF021	DA97-14730A	ASSY SHELF-FRE; TWIN Face Lift	SA	1
2-1	3		DA66-00690A	ROLLER-SHELF; TWIN,POM,22,NTR	SA	2
3	2	RF022	DA97-07453E	ASSY SHELF FRE-LOW; TWIN-PJT,HIPS NTR	SC	3
3-1	3		DA66-00690A	ROLLER-SHELF; TWIN,POM,22,NTR	SA	2
4	2		DA97-07397F	ASSY CASE BASKET-MIDDLE; TWIN12 FACE LIFT	SA	2
4-1	3	RR351	DA66-10104C	ROLLER-FRE; GUGGENHEIM,POM,NATURAL	SA	4
5	2		DA97-07398F	ASSY CASE BASKET-LOW; TWIN12 FACE LIFT	SA	1
6	2		DA97-07396F	ASSY CASE BASKET-UP; TWIN12 FACE LIFT	SA	2
7	2	RE064	DA97-07452E	ASSY SHELF FRE-MID; TWIN-PJT,HIPS NTR	SC	1
7-1	3		DA66-00690A	ROLLER-SHELF; TWIN,POM,22,NTR	SA	2
8	2	RN724	DA97-07931A	ASSY COVER-FOLDER; TWIN-25	SA	1
9	3	RO280	DA61-05097A	FIXER-COVER FOLDER L; TWIN-PJT,ABS,COOL W	SA	1
10	3	RO281	DA61-05096A	FIXER-COVER FOLDER R; TWIN-PJT,ABS,COOL W	SA	1
11	2	RM088	DA67-40146B	TRAY-ICE; SR-1500,NTR,PE,-,-,-,-,-	SA	1

2. Cabinet

Exploded View



Parts List

No.	Lvl.	Loc.	Material Code	Description & Specification	SNA	Qty.
1	2	RO133	DA97-12019G	ASSY TOP TABLE; TWIN,ASSY,FRE,INOX2008(GY	SA	1
1-1	3	RO275	DA64-04001G	TOP TABLE-REAR; TWIN,ABS,INOX GRAY	SA	1
1-2	3	RO456	DA63-04849G	COVER-WIRE HINGE R; TWIN-PJT,PP,HB,BJ550,	SA	1
1-3	3	RO184	DA67-02269G	CAP-TOP TABLE; TWIN,ABS,HB,HG-0760GP,INOX	SA	1
1-4	3	RY459	DA34-00043C	SWITCH REED-ASS'Y; 200VDC,1.5A,-	SA	1
1-5	3	RR347	DA32-10109X	SENSOR TEMP; PX-41C,502AT-2,A-TOP,-,5V,-,	SC	1
1-6	3	RO200	DA96-00285P	ASSY W/HARNESS-CABI; TWIN-INVERTER,REF BA	SA	1
2	2	RD067	DA97-12592A	ASSY COVER-PCB PANEL; TWIN-PJT,ASSY	SA	1
2-1	3	RO286	DA63-03020B	COVER PCB-PANEL; CORE-PJT,SBHG1,T0.5,-,-,	SA	1
3	2		DA97-08449R	ASSY CASE PBA-MAIN; TWIN12 FACE LIFT,RUSS	SA	1
3-1	3	RO285	DA61-05371B	CASE-PCB PANEL; TWIN,ABS,NATURAL,VH-0815,	SA	1
3-2	3		3903-000794	CBF-POWER CORD; AT,EUROPE,UCP-2,250V/16A,	SA	1
3-3	3	RH083	DA27-00032A	COIL FILTER-EMI; 400L,8.0mH,60*82mm,BOX,S	SA	1
4	2	RH001	DA97-07461C	ASSY COVER COMP; TWIN-PJT,ASSY	SA	1
5	2	RH003	DA97-07418H	ASSY TRAY-DRAIN WATER; TWIN-PJT	SA	1
5-1	3	RW005	DA97-07417A	ASSY PIPE-SUB COND; TWIN-PJT,-	SA	1
5-2	3	RY713	DA39-00060F	WIRE HARNESS-MOTOR; -,-,-,-,-,-,C-FAN(BLD	SA	1
5-3	3		DA61-03653B	BRACKET-MOTOR; TD-PJT,PP,NTR,PP SCRAP	SA	1
5-4	3	RR088	DA31-00146B	MOTOR BLDC; DRCP5030LA,1550,DC12V,230mA,-	SC	1
5-5	3	RH067	DA61-05424A	FIXER-PIPE TUBE; TWIN-PJT,AL	SA	1
5-6	3	RR066	DA63-40167A	GROMMET-COVER CHIL; SILICON,L16,WHITE	SA	1
5-7	3	RH022	DA63-40128A	GROMMET-SUB COND; -,NBR,-,-,-,-,-,DARK-	SA	2
5-8	3	RH885	DA63-04832B	TRAY DRAIN-WATER; TWIN-PJT,PP SCRAP,Non C	SA	1
5-9	3	RO138	DA63-01146A	GROMMET-MOTOR,REAR; A-TOP,NBR,BLACK,BLDC	SA	2
6	2	RF011	DA96-00568H	ASSY EVAP-FRE; TWIN,230V,200W	SA	1
6-1	3	RR048	DA61-04921B	FIXER-HEATER FRE; HERMES-PJT,PP,NATURAL,F	SA	3
6-2	3	RG124	DA61-02901A	FIXER-SENSOR EVAP; CORE-PJT,PP,-,NTR,-	SA	1
6-3	3	RU391	DA61-06809A	FIXER-HEATER; TWIN-PJT,PP,NTR	SA	1
6-4	3	RF146	DA47-00300A	HEATER METAL SHEATH; AC230V,TWIN FRE,200W	SA	1

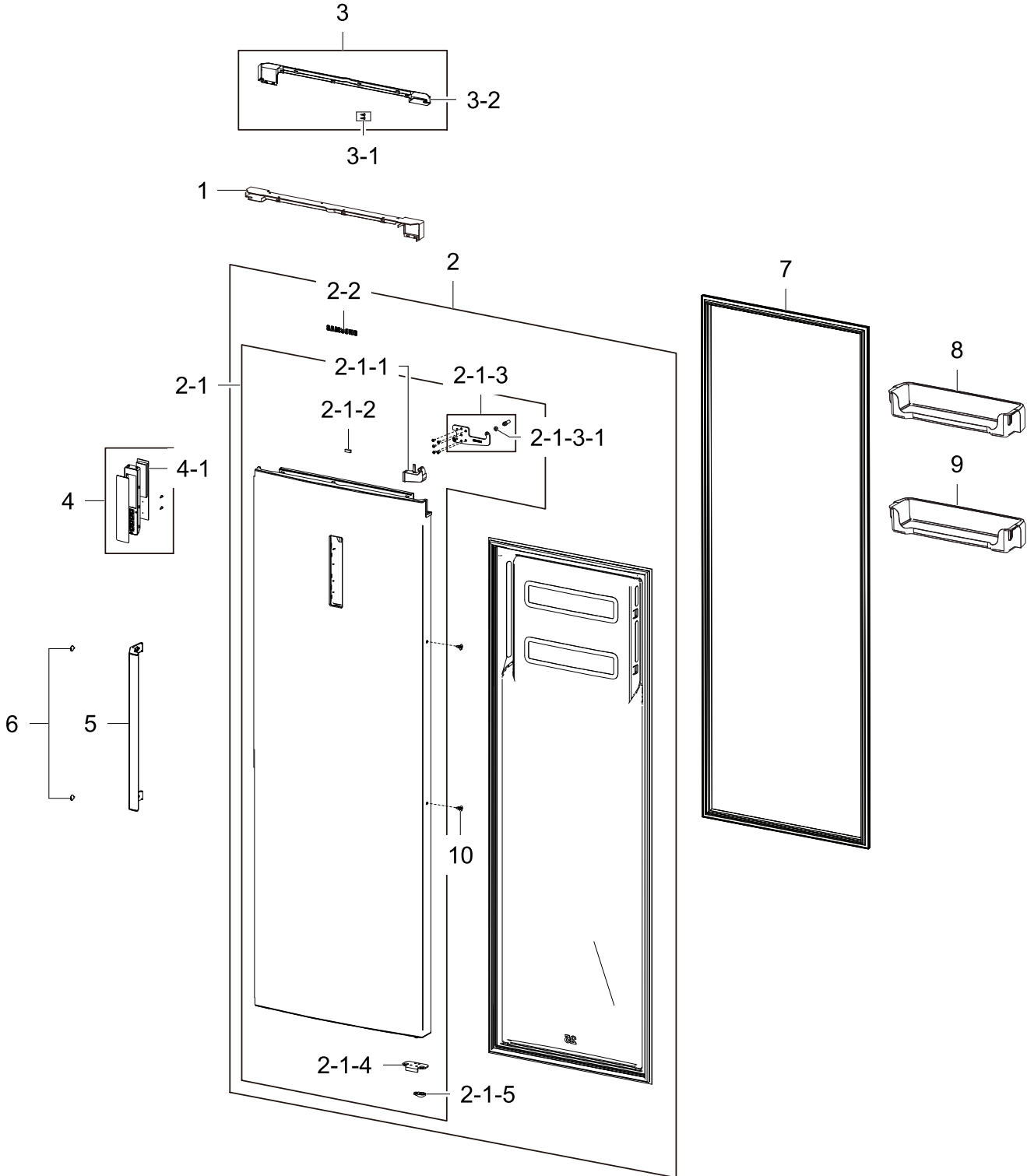
No.	Lvl.	Loc.	Material Code	Description & Specification	SNA	Qty.
6-5	3		DA32-00066B	SENSOR TEMP; -,TWIN,-50~805V,-,-,PBA	SA	1
6-6	3	RF217	DA61-05160A	FIXER-FUSE; CULLI_09,PP,NATURAL,HB,BJ750	SA	1
6-7	3	RR342	DA47-00301F	THERMO FUSE-ASSY; TWIN,250V,10A,109~110	SA	1
6-8	3	RF326	DA59-00389C	EVAP FRE; TWIN	SNA	1
7	2		6011-004061	BOLT-HEX; M6,L42.6,SWCH10A	SA	4
8	2		DA63-06122A	COVER-RELAY; MSV,N300X,T2.1,BLACK	SA	1
9	2		MSV4A1AL1R/E01	COMPRESSOR,115/220V; COMPRESSOR,115/220V	SA	1
10	2	RH732	DA63-02617A	GROMMET COMP; USP05,EPDM,OD27.0,BLACK	SA	4
11	2	RO002	DA97-07465A	ASSY CHASSIS-COMP; TWIN-PJT,SBHG1,T1.0,-,	SA	1
11-1	3	RR242	DA61-40126B	CASTER-REAR; REF-ALL,PP,NATURAL	SC	2
11-2	3	RH064	DA60-90146A	PIN-CASTER; SR-289-429,MSWR10,OD6.0,L38,Z	SA	2
12	2	RI085	DA31-00010B	FAN-ASSY; -,P,S-P/J,ASSY,-,UNIT,120	SA	1
12-1	3	RG064	DA31-20102C	FAN SIROCCO; -,P,S-P/J,ABS,-,UNIT,120,HR0	SA	1
12-2	3	RR053	DA61-20128A	SPRING ETC-FAN; STS304,PI8.8,ID7.8,OD9.8,	SA	1
13	2		DA97-14662A	ASSY HINGE-FRE LOW; TWIN-FACE LIFT , FRE	SA	1
13-1	3	RR981	DA66-00401A	CAM-RISER; SAPPHIRE-PJT,NY-66,BLACK,2110R	SA	1
13-2	3	RO100	DA61-00805F	FOOT-FRONT; REF-ALL,PP+MSWR10,BLACK,PP_S	SA	1
14	3	RO100	DA61-00805F	FOOT-FRONT; REF-ALL,PP+MSWR10,BLACK,PP_S	SA	1
15	2	RO003	DA97-07919G	ASSY COVER LEG FRONT; TWIN-PJT,INOX2008	SA	1
15-1	3	RO261	DA67-02216G	CAP-HINGE LOW; TWIN-PJT,PP,INOX2008	SA	1
15-2	3	RO287	DA63-04830G	COVER-LEG FRONT; TWIN,PP,HB,BJ750	SA	1
16	2	RF439	DA97-07394D	ASSY COVER MULTI-FRE; TWIN_25,PP,NPE	SA	1
16-1	3	RF089	DA32-00006L	SENSOR TEMP-DEF SENSOR; PX41C,TD-PJT,TGV2	SC	1
17	2	RF005	DA97-07386C	ASSY COVER EVAP-FRE; TWIN-PJT,220V~240V,P	SA	1
17-1	3	RF414	DA61-05013B	SUPPORT-MOTOR FRE; TWIN,HIPS,NTR,HIPS_S	SA	1
17-2	3	RG062	DA31-00233A	FAN; TWIN-PJT,ABS,HG-0760H, Cream white	SA	1
17-3	3	RF455	DA63-01809B	COVER MOTOR-BLDC; AT,PP,NTR,CNTK-P-100,PP	SA	1
17-4	3	RF431	DA31-00146E	MOTOR FAN-BLDC; DREP5020LB,0.267,3.2,2520	SA	1
17-5	3	RR053	DA61-20128A	SPRING ETC-FAN; STS304,PI8.8,ID7.8,OD9.8,	SA	1

Exploded Views and Parts List

No.	Lvl.	Loc.	Material Code	Description & Specification	SNA	Qty.
17-6	3	RY710	DA39-00060A	WIRE HARNESS-MOTOR; 35151-0410,HM9410001,	SA	1
17-7	3	RR066	DA63-40167A	GROMMET-COVER CHIL; SILICON,L16,WHITE	SA	1
17-8	3	RO545	DA63-01808A	GROMMET-MOTOR,FRONT; BLDC,NBR,BLACK,H20	SA	1
17-9	3	RO138	DA63-01146A	GROMMET-MOTOR,REAR; A-TOP,NBR,BLACK,BLDC	SA	2
18	3	RK925	DA39-00429A	WIRE HARNESS-EARTH; YellowGreen,ST710489-	SC	1
19	2	RH044	DA62-04309C	DRYER; C1220T,6g,L118,Outlet ID2.0	SA	1
20	2	RH085	DA62-03415A	PIPE-CONNECT SUCTION; TWIN-PJT,C1220T-0,O	SA	1
25	2	RZ110	DA97-04049F	ASSY CAP-DRAIN; TD09,ASSY,L219.5	SA	1
25-1	3	RG141	DA61-05021A	FIXER-DRAIN; HAEMIL,PP,CARMEN WINE,HB,BJ7	SA	1
25-2	3	RO161	DA63-02761A	GROMMET-DRAIN; RS18RK,NBR,-,-,-,-,BLK,-	SA	1
25-3	3	RZ111	DA67-01301A	CAP-DRAIN; TD09,HIPS,NTR	SA	1
26	2	RK934	DA39-20389L	WIRE HARNESS-EARTH; 1,YELLOW/GREEN,ST 710	SC	1
27	2	RH026	DA73-10190U	PIPE-CONNECT DISC,B; TD-PJT,C1220-T,OD6.3	SA	1
28	2	RO354	DA34-00004D	RELAY PROTECTOR O/L; 4TM445PHBY-82,BK190	SA	1
29	1	RY475	DA92-00637B	ASSY PCB MAIN; TWIN12 FACE LIFT,148*197,1	SA	1
30	1	RO326	DA92-00155A	ASSY PCB INVERTER; Gran Cru,12V, 5V	SA	1
31	2	RI222	DA63-02902B	COVER-FIXER HOUSING V; NEXT-PJT,GALVA,T0.	SA	1
32	2	RY071	DA96-00392A	ASSY-LAMP LED; FREE VOLT	SC	1
33	2	RY725	DA63-03623D	COVER-LAMP; TWIN,PC,T2.0,W35,L152,TRANSPA	SA	1
34	2	RX042	DA63-40171D	GROMMET-SUCT PIPE B; RAIL L20,NR,ID5.5,OD	SA	1
35	2		DA60-00279A	FITTING-LOKRING 16; GRAND/SAM/HERMES,11SM	SA	1
36	2		DA60-00280A	FITTING-LOKRING 33; GRAND/SAM/HERMES,11SM	SA	1
37	2		DA60-00281A	FITTING-LOKRING 43; GRAND/SAM/HERMES,11SM	SA	1
38	2		DA60-00317A	FITTING-LOKRING 24; 11SMnPb30k,24	SA	1

3. Door

Exploded View



Parts List

No.	Lvl.	Loc.	Material Code	Description & Specification	SNA	Qty.
1	2	RO274	DA63-04851G	COVER-WIRE DOOR R; TWIN-PJT,ABS,HB,HG-076	SA	1
2	2	RD001	DA91-04195A	ASSY DOOR FOAM-FRE; TWIN12 F/L, RZ28*, IN	SA	1
2-1	3		DA97-14729A	ASSY PLATE DOOR-FRE; TWIN12 FACE-LIFT,INO	SNA	1
2-1-1	4	RO454	DA63-04855G	COVER-WIRE HINGE L; TWIN-PJT,PP,HB,BJ550,	SA	1
2-1-2	4	RY479	DA61-03769A	MAGNET-A; HERMES,-,5x7x18,-,-,1200Gauss	SA	1
2-1-3	4	RO144	DA97-07910A	ASSY HINGE UPP-FRE; TWIN-PJT,FRE	SA	1
2-1-3-1	5	RR377	DA66-00073C	SHAFT-WASHER, C; RD-PVC,SR-32,35,-,-,-,T1	SA	1
2-1-4	4	RO105	DA66-00344A	CAM-HINGE RISER LOW; USP05(ATOP,ET),NY-66	SC	1
2-1-5	4	RE043	DA61-00776A	STOPPER DOOR; ES-PJT,SPCC,T3.0	SA	1
2-2	3	RO716	DA64-04020B	MASCOT; ALL,NI,T0.05,L80	SA	1
3	2	RO278	DA97-08051G	ASSY COVER-WIRE DOOR L; TWIN-PJT,INOX 200	SA	1
3-1	3		DA67-00859K	CAP-DOOR HANDLE; CORE,ABS,HB,HG-0760GP,IN	SC	2
3-2	3	RO259	DA63-05137G	COVER-WIRE DOOR L; TWIN-PJT,ABS,HB,HG-076	SA	1
4	2	RO707	DA97-12958U	ASSY COVER CONTROL; TWIN12 Face Lift,UV D	SA	1
4-1	3		DA92-00410B	ASSY MODULE; LED DISPLAY MODULE,TWIN12 FA	SA	1
5	2	RO010	DA97-14741A	ASSY HANDLE; TWIN12 Face Lift,VERSAILLES	SA	1
6	2	RO197	DA67-01438A	CAP-SCREW HANDLE; CORE-PJT,ABS,-,-,-,SC-0	SA	2
7	2		DA97-14835A	ASSY GASKET; TWIN-12 Face Lift,Gray	SA	1
8	2	RR165	DA63-04882A	GUARD FRE; TWIN-PJT,GPPS,TP BLUE	SA	1
9	2	RR165	DA63-04882C	GUARD FRE; TWIN-PJT,GPPS,T2.0,Transpercy	SA	1
10	2		DA67-00859K	CAP-DOOR HANDLE; CORE,ABS,HB,HG-0760GP,IN	SC	2