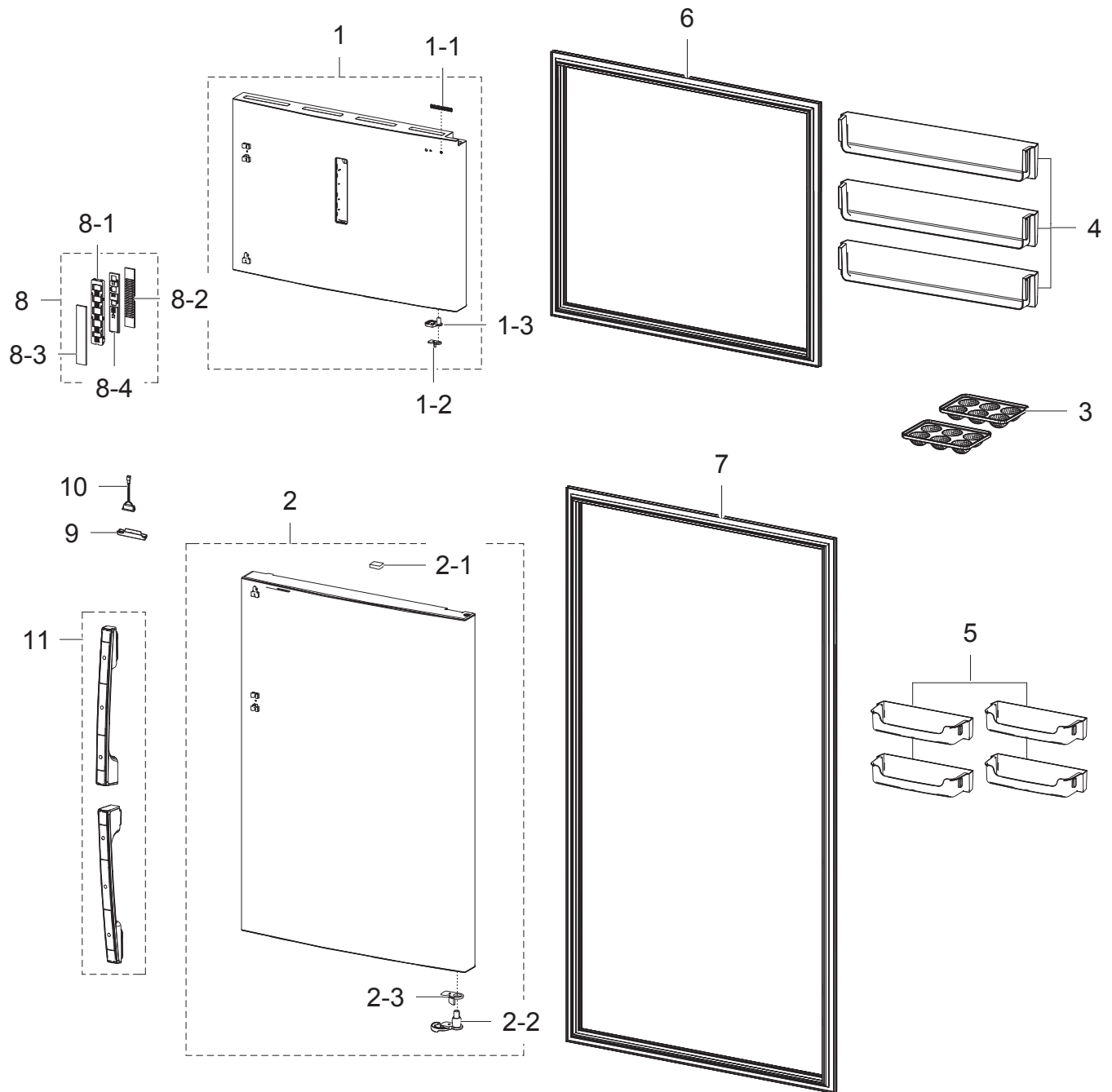


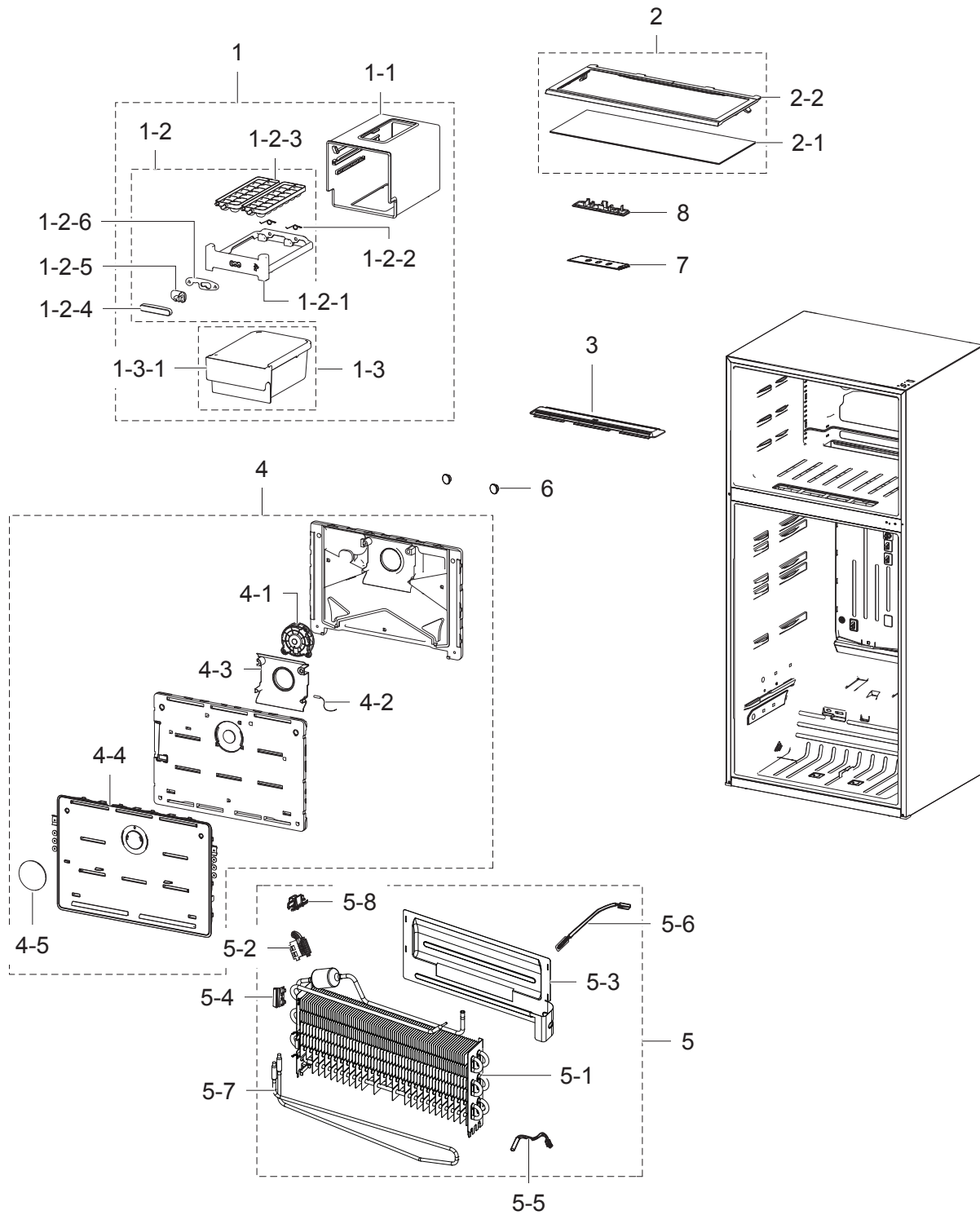
Door compartment



PART LIST OF DOOR : RT62K7025SL/ES

No.	Code No.	Lvl.	Loc.	Description	Specification	Qty	SA/SNA
1	DA91-04491G	2	M0063	ASSY DOOR FOAM-FRE	RT62, EZ Clean Steel	1	SA
1-1	DA64-04020A	3	M0196	MASCOT	ALL,Ni,L80	1	SA
1-2	DA61-04428A	5	A1017	STOPPER-DOOR REF LOW	MT-PJT,PO-SPHC,T4.0	1	SNA
1-3	DA63-04086A	5	-	GROMMET HINGE-REF LOW	RT7000K,PA66,NATUR	1	SA
2	DA91-04490K	2	Z1100	ASSY DOOR FOAM-REF	RT62, EZ Clean Steel,	1	SA
2-1	DA61-03769B	4	A0534	MAGNET	SVETA,FERRITE,1600Gauss	1	SA
2-2	DA61-04428A	5	A1017	STOPPER-DOOR REF LOW	MT-PJT,PO-SPHC,T4.0	1	SNA
2-3	DA63-04086A	5	-	GROMMET HINGE-REF LOW	RT7000K,PA66,NATUR	1	SA
3	DA63-07346A	3	A0656	TRAY EGG	3050,GPPS,HB,TP BLUE,165N,HI-IM	2	SA
4	DA63-07236C	2	M0365	GUARD-FRE LOW	RT7000K,GPPS,TP BLUE	3	SA
5	DA63-07235C	2	M0366	GUARD-FRE UP	GPPS,TP BLUE	3	SA
6	DA97-16193A	2	-	ASSY GASKET-FRE	RT7000K,GRAY,777*522	1	SA
7	DA97-16194A	2	-	ASSY GASKET-REF	RT7000K,GRAY, RT62,777*1	1	SA
8	DA97-16239B	2	A0626	ASSY COVER CONTROL	RT7000K,VACATION	1	SA
8-1	DA63-08302A	3	-	COVER CONTROL	RT7000K,HIPS,INOX GRAY	1	SNA
8-2	DA92-00755A	3	-	ASSY MODULE	7-SEG, MATRIX,RT7000K,WHITE	1	SNA
8-3	DA64-04966B	3	-	INLAY-CONTROL	RT7000K,PC,0.38,MIRROR PRI	1	SNA
8-4	DA67-04104A	4	-	REFLECTOR	FSR-Defeature,MPPO,NATURAL,-	1	SNA
9	DA67-02385M	4	-	CAP DOOR SWITCH	3050-PJT,PP,T1.5,HB,BJ75	1	SA
10	DA34-00043J	4	-	SWITCH REED	UL1007 AWG 22,50mm	1	SA
11	DA97-14431Y	2	A0553	ASSY HANDLE	RT53/50/46/43,ASSY HANDLE KI	1	SA

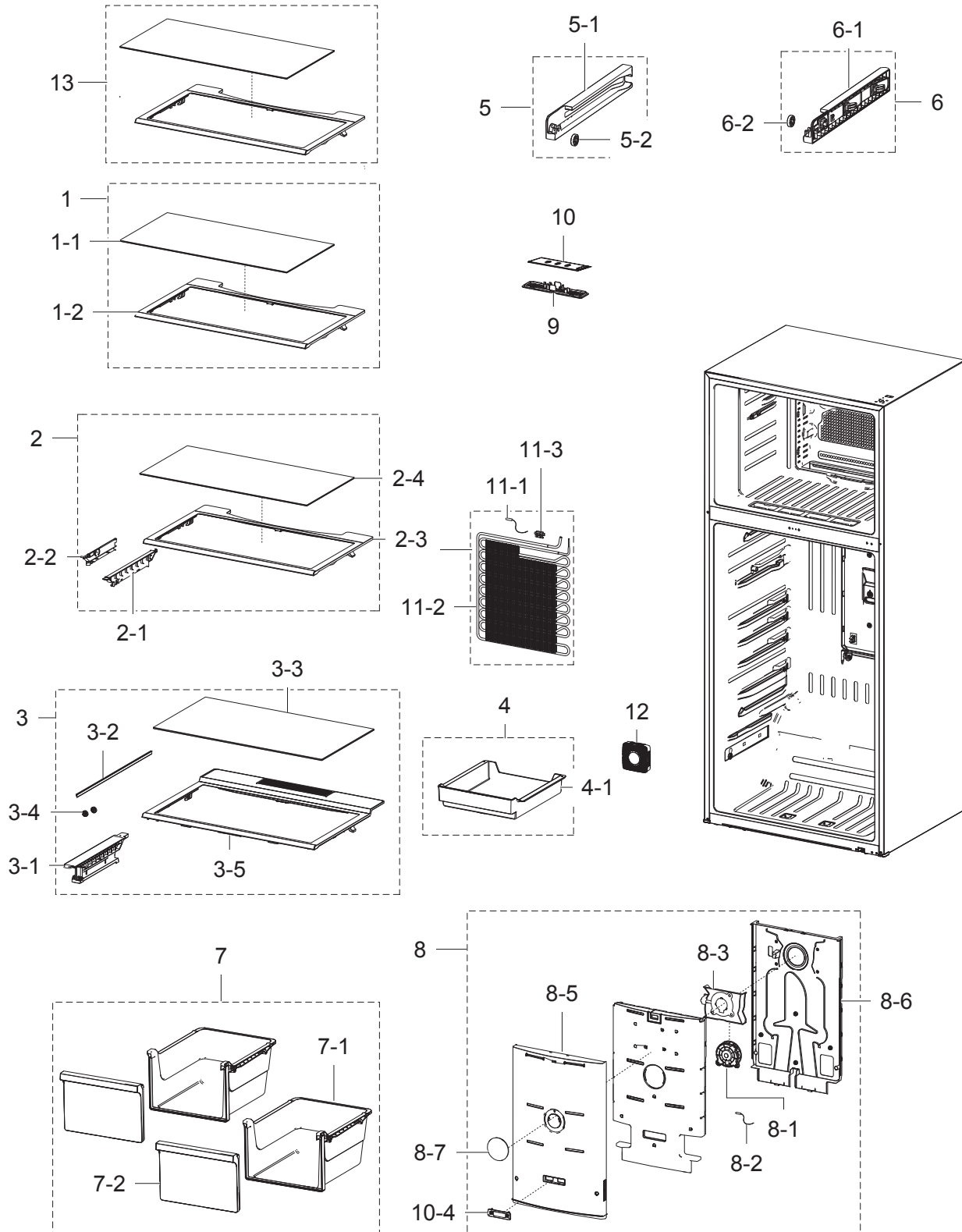
Freezing compartment



PART LIST OF FREEZER : RT62K7025SL/ES

No.	Code No.	Lvl.	Loc.	Description	Specification	Qty	SA/SNA
1	DA90-09552A	1	A0104	ASSY ICE MAKER	RT7000K	1	SNA
1-1	DA61-10831A	3	-	SUPPORT ICE MAKER	RT7000K,HIPS,S834S1,CO	1	SA
1-2	DA97-13501A	3	A0105	ASSY TRAY ICE	RT32/29/25/22,COOL,2 TWIST	1	SA
1-2-1	DA61-08907A	4	A0718	CASE-TRAY ICE	RT38/35/32/29,2TWIST,PP,CO	1	SA
1-2-2	DA61-20136A	4	-	SPRING ETC-ICE MAKER	SR-53EA,STS304,COIL	2	SA
1-2-3	DA63-07337A	4	A0120	TRAY ICE	3050,TMF,PP,T1,COOL WHITE,14PC	2	SA
1-2-4	DA64-04461A	4	A0118	KNOB-TRAY ICE	3050 TMF,ABS,2.0,COOL WHTI	1	SA
1-2-5	DA66-01003A	4	-	LEVER-TRAY ICE KNOB	3050,TMF,PA66,NTR	1	SA
1-2-6	DA66-01006A	4	M0434	LEVER-TRAY ICE	RT320,POM,K300,NATURAL	1	SA
1-3	DA97-13501A	3	A0105	ASSY TRAY ICE	RT32/29/25/22,COOL,2 TWIST	1	SA
1-3-1	DA63-07331C	4	-	TRAY ICE-CUBE	RT5/6/7000K,RT4500,GPPS,HB	1	SA
2	DA97-16217A	2	M0351	ASSY SHELF-FRE	RT7000,ASSY	2	SA
2-1	DA64-04960A	3	-	GLASS-SHELF FRE	RT7000K,GLASS,T4,703.5,2	2	SNA
2-2	DA67-04146A	3	-	SHELF-FRE	RT7000,HIPS,COOL WHITE	2	SNA
3	DA63-07355A	2	A0756	COVER-AIR FRE	RT380/350,PP,COOL WHITE	1	SA
4	DA97-16241A	2	M0303	ASSY COVER EVAP-FRE	RT7000K	1	SA
4-1	DA31-00334A	3	-	MOTOR BLDC FAN1	12035GE-12M-YT-F1,1775±7%	1	SA
4-2	DA32-00011D	3	A1018	SENSOR TEMP1	DKST1329GW,TD-PJT,-50~80,5V,	1	SA
4-3	DA61-10967A	3	-	GUIDE AIR-UP	HIPS,S834S1,NATURAL	1	SNA
4-4	DA63-08305A	3	-	COVER EVAP-FRE	RT7000K BASIC,PP,HB,COOL	1	SNA
4-5	DA63-08326B	3	-	COVER-TWIN COOLING	GPPS,HB,GENTLE BLUE,S	1	SNA
5	DA96-01038C	2	A0163	ASSY EVAP-FRE	RT6000K,FIN TUBE,230V	1	SA
5-1	DA59-00588A	3	-	EVAPORATOR-FRE	Fin Tube,RT7000K,AL,8	1	SNA
5-2	DA61-00603A	3	T0066	FIXER SENSOR1	n-PJT,PP,T2,NATURAL,HB,BJ75	1	SA
5-3	DA61-09621A	4	-	PLATE EVAP-RIGHT	RT-H530G,AL,T0.4,A1100P	1	SNA
5-4	DA61-07411A	3	A0744	FIXER-FUSE	NW2,PP,NATURAL,BJ750	1	SA
5-5	DA32-00066B	3	A1018	SENSOR TEMP2	-,TWIN,-50~80°C,5V,-,-,PBA CA	1	SA
5-6	DA47-00301F	3	A1008	THERMO FUSE-ASSY	AC250V,10A,109~110°C,S.O	1	SA
5-7	DA47-00460F	3	A0921	HEATER METAL SHEATH	AC230V,3050 TMF, 330	1	SA
5-8	DA61-07410A	3	G0205	FIXER-HEATER FRE	NW2,PP,NATURAL,BJ750	2	SA
6	DA67-30266K	2	A0270	CAP SCREW	A-TOP,PP,T1.5,HB,BJ750,COOL WH	4	SA
7	DA41-00519R	2	G0090	ASSY LAMP LED2	3ea,CEM-1,FR-4 65*10*1.6T,	1	SA
8	DA63-07368A	2	A0490	COVER-LAMP	3050,GPPS,T2,TP BLUE,G116HV	2	SA

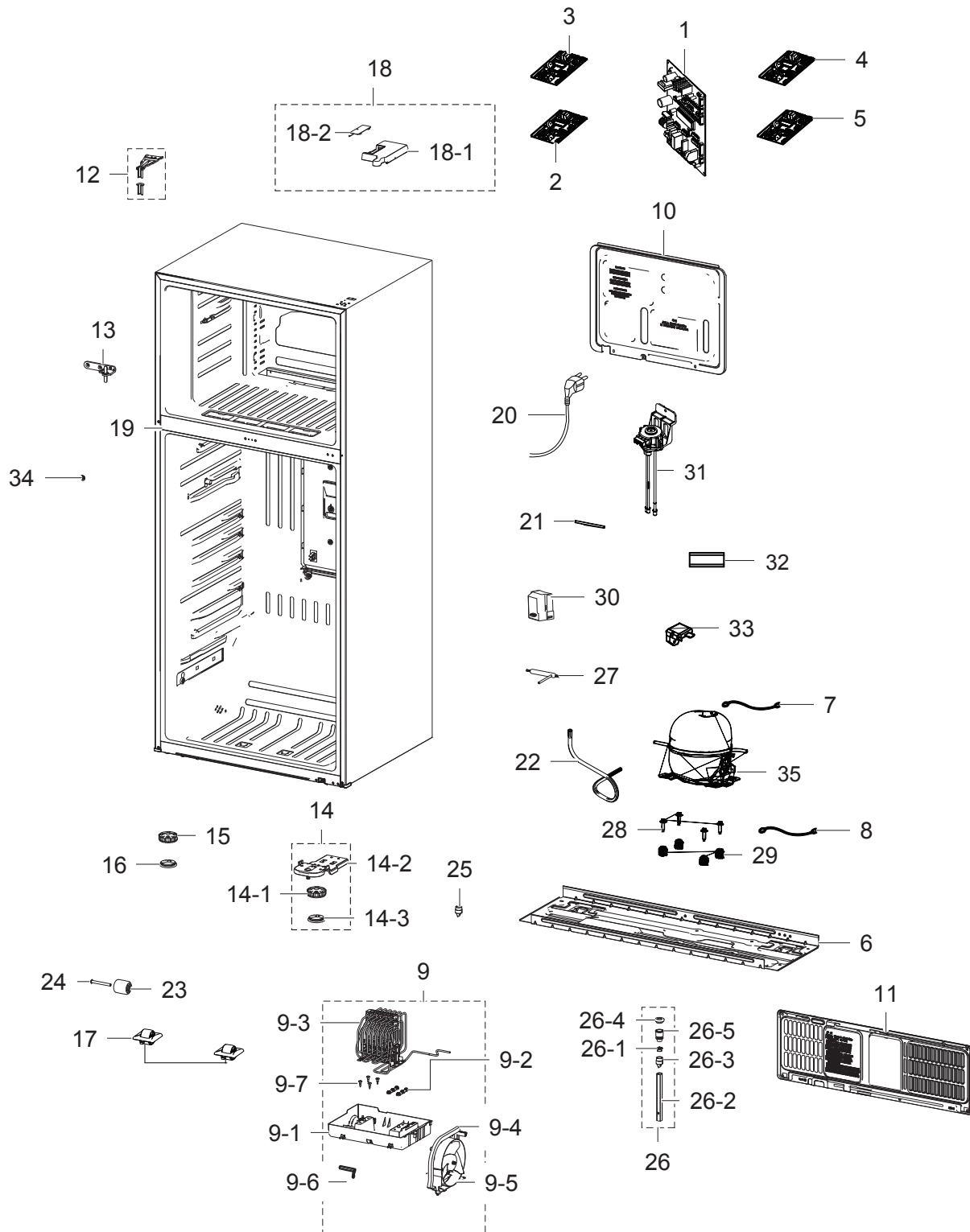
Fridge compartment



PART LIST OF FRIDGE : RT62K7025SL/ES

No.	Code No.	Lvl.	Loc.	Description	Specification	Qty	SA/SNA
1	DA97-16222A	2	-	ASSY SHELF-REF UP	RT7000,Hot Stamping,No	3	SA
1-1	DA64-04959A	3	-	GLASS-SHELF REF UP	RT7000K,GLASS,T4,725,	3	SNA
1-2	DA67-04147B	3	M0293	SHELF-REF UP	RT7000,HIPS,COOL WHITE,Hot	3	SNA
2	DA97-16222A	2	-	ASSY SHELF-REF UP	RT7000,Hot Stamping,No	3	SA
2-3	DA64-04959A	3	-	GLASS-SHELF REF UP	RT7000K,GLASS,T4,725,	3	SNA
2-4	DA67-04147B	3	M0293	SHELF-REF UP	RT7000,HIPS,COOL WHITE,Hot	3	SNA
3	DA97-16218A	2	-	ASSY SHELF-REF LOW	RT7000,Hot Stamping	1	SA
3-1	DA61-10841A	3	-	RAIL-MIDDLE LEFT	RT7000K,HIPS,COOL WHITE	1	SA
3-2	DA63-06595B	3	M0388	GASKET HOME BAR-REF	RT7000,PVC,NEO VICTO	2	SA
3-3	DA64-04961A	3	-	GLASS-SHELF REF LOW	RT7000K,GLASS,T5,732	1	SNA
3-4	DA66-10104A	3	-	ROLLER-FRE	POM,D22,NATURAL	2	SC
3-5	DA67-04148B	3	G0268	SHELF-REF LOW	RT7000,HIPS,COOL WHITE,Hot	1	SNA
5	DA97-13165A	3	A0923	ASSY RAIL-FRE LOW R	BAROSA,NATURAL	1	SNA
5-1	DA61-07274A	4	-	RAIL-R	SUPER STAR,HIPS,COOL WHITE,B	1	SNA
5-2	DA66-10104A	3	-	ROLLER-FRE	POM,D22,NATURAL	2	SC
6	DA97-13166A	3	A0922	ASSY RAIL-FRE LOW L	BAROSA,NATURAL	1	SNA
6-1	DA61-07272A	4	-	RAIL-L	SUPER STAR,HIPS,COOL WHITE,B	1	SNA
6-2	DA66-10104A	3	-	ROLLER-FRE	POM,D22,NATURAL	2	SC
7	DA97-16232C	2	M0300	ASSY CASE VEG-LOW	NO STAMPING	2	SNA
7-1	DA61-10842A	3	-	CASE VEG-LOW	RT7000K,PP,COOL WHITE,BJ750	2	SA
7-2	DA63-08304A	3	M0272	COVER VEG-LOW	RT7000K,GPPS,TP BLUE,G-116	2	SA
8	DA97-16240E	2	Z1177	ASSY COVER EVAP-REF	RT7000K,CATALYST,PP	1	SA
8-1	DA31-00334A	3	-	MOTOR BLDC FAN2	12035GE-12M-YT-F1,1775±7%	1	SA
8-2	DA32-00024Q	3	A1018	SENSOR TEMP3	MD-PJT,5V,M-SENSOR,WHITE	1	SA
8-3	DA61-08658A	3	-	GUIDE AIR	ROMANEE-CONTI,HIPS,NTR	1	SA
8-4	DA63-07423A	3	-	COVER-DEODORIZER	3050,PP,COOL WHITE,SCRE	1	SA
8-5	DA63-08306A	3	-	COVER EVAP-REF A	RT7000K BASIC,PP,HB,COO	1	SNA
8-6	DA63-08307B	3	-	COVER EVAP-REF B	RT7000K BASIC,PP,HB,BLA	1	SNA
8-7	DA63-08326B	3	-	COVER-TWIN COOLING	GPPS,HB,GENTLE BLUE,S	1	SNA
9	DA63-07368A	2	A0490	COVER-LAMP	3050,GPPS,T2,TP BLUE,G116HV	2	SA
10	DA41-00519B	2	G0090	ASSY LAMP LED1	5ea,CEM-1,100*20,WHITE,SMA	1	SA
11	DA96-01247B	2	A0184	ASSY EVAP-REF	RT7000K,FIN TUBE,IN PIPE I	1	SA
11-1	DA32-00078A	3	A1018	SENSOR TEMP4	DKST1329GW,Defrost Sensor, P	1	SA
11-2	DA59-00610B	3	-	EVAPORATOR-REF	Fin Tube,RT7000K,1,A1070,	1	SNA
11-3	DA61-07408A	3	-	FIXER SENSOR2	NW2,PP,NATURAL,M1600	1	SNA
12	DA02-00216B	3	-	CATALYST-DEODORIZER	T10,W15,L30,3050 TMF	1	SA
13	DA97-16222A	2	-	ASSY SHELF-REF UP	RT7000,Hot Stamping,No	3	SA

Cabinet compartment



PART LIST OF CABINET : RT62K7025SL/ES

No.	Code No.	Lvl.	Loc.	Description	Specification	Qty	SA/SNA
1	DA92-00700M	1	A0952	ASSY PCB MAIN	TWIN COOLING,RT7000K,160*9	1	SA
2	DA92-00459J	1	-	ASSY PCB INVERTER	INVERTER,3050,148*98.5	1	SA
3	DA92-00755A	3	-	ASSY MODULE	7-SEG, MATRIX,RT7000K,WHITE	1	SNA
4	DA92-00701A	2	-	ASSY PCB SUB	RELAY PBA,RB5000J, BK60,60.	1	SA
5	DA27-00041B	2	M0489	COIL FILTER	14.0mH,60*82mm,AC 5A,0.68uF	1	SA
6	DA97-16204C	2	A0526	ASSY CHASSIS COMP	RT7000K,HOLE GUIDE	1	SA
7	DA39-00429D	2	A0562	ASSY WIRE HARNESS-EARTH	EARTH,ALL,,,,,FR	1	SA
8	DA39-00429D	2	A0562	ASSY WIRE HARNESS-EARTH	EARTH,ALL,,,,,FR	1	SA
9	DA97-16202A	2	A0529	ASSY TRAY DRAIN WATER	RT7000K	1	SA
9-1	DA63-08295A	3	Z1023	TRAY DRAIN-WATER	RT7000K,PP,HB,BLACK	1	SNA
9-2	DA63-40128A	3	M0181	GROMMET-SUB COND	-,NBR,-,-,-,-,-,DARK-	2	SA
9-3	DA97-11700C	3	G0270	ASSY PIPE-CONDENSER	IBACI,Fin Pitch 4.5	1	SA
9-4	DA97-15765D	3	M0116	ASSY SUPPORT-CIRCUIT MOTOR	RT7000K	1	SA
9-5	DA31-00320A	5	A0769	FAN	HM12,ABS+GLASSFIBER,GR-4010/NTR	1	SC
9-6	DA61-20128A	5	A0768	SPRING ETC-FAN	STS304,PI8.8,ID7.8,OD9.8,	1	SA
9-7	6002-000215	5	G0412	SCREW-TAPPING	TH,+ ,1,M4,L16,ZPC(WHT),SWR	1	SNA
10	DA97-16238A	2	-	ASSY COVER PBA	RT7000K	1	SA
11	DA97-13257A	2	M0076	ASSY COVER COMP	MT12,GL,T0.25	1	SA
12	DA97-16237A	2	-	ASSY HINGE-UP	RT7000K,T3.2	1	SA
13	DA97-16141A	2	-	ASSY HINGE-MIDDLE	RT7000K	1	SA
14	DA97-16142A	2	M0344	ASSY HINGE-LOW	RT7000K	1	SA
14-1	DA61-07280A	3	A0577	FOOT-FRONT	SUPER STAR,RT7000K,PP,BLACK,(1	SA
14-2	DA61-10827A	3	A0247	HINGE-LOW	RT7000K,PO-SPHC,T4,SPHC1	1	SNA
14-3	DA63-06285A	3	-	COVER-FOOT	SUPER STAR,RT7000K,PP	1	SA
15	DA61-07280A	3	A0577	FOOT-FRONT	SUPER STAR,RT7000K,PP,BLACK,(1	SA
16	DA63-06285A	3	-	COVER-FOOT	SUPER STAR,RT7000K,PP	1	SA
17	DA66-00885A	2	A0919	ROLLER-VEG	TD,PP,NTR	2	SA
18	DA97-16610A	2	A0236	ASSY COVER HINGE-UP	RT7000K,INOX GRAY	1	SA
18-1	DA63-08293A	3	-	COVER HINGE-A	RT7000K,ABS,T2,INOX GRAY,H	1	SA
18-2	DA63-08294A	2	-	COVER HINGE-B	RT7000K,ABS,T2,INOX GRAY,H	1	SA
19	DA97-06004B	3	-	ASSY CABINET-MID FRONT	RT7000K,SECC,SC-9	1	SNA
20	3903-001011	2	A0273	POWER CORD-AT	H05VV-F 3x0.75mm2,BLK,EU3F	1	SA
21	DA73-00199B	2	Z1004	PIPE-PIPE CONNECT	Cu,OD6.35,T0.6	1	SA
22	DA62-04325A	2	-	PIPE CONNECT	3050,Cu,C1220T,OD6.35,T0.6	1	SA
23	DA61-07901A	3	M0145	CASTER-FRONT	TD,PP,BLACK,PP SCRAP	1	SA
24	DA60-90124A	3	-	RIVET	MSWR,L56	1	SA
26	DA97-04049D	2	M0067	ASSY CAP-DRAIN	AW,ASSY,-,-,L224.5,-,FIXE	1	SA
26-1	DA61-05021A	3	A0336	FIXER-DRAIN	HAEMIL,PP,T0.6,CARMEN WINE,B	1	SA
26-2	DA62-01266A	3	G0070	TUBE-PVC	EPEL,PVC,OD19.4,L180,ID18,GASKE	1	SNA
26-4	DA63-02761A	3	-	GROMMET-DRAIN	RS18RK,NBR,-,-,-,-,-,BLK,-	1	SA
26-5	DA67-01301A	3	A0492	CAP-DRAIN	AW4,HIPS,HB,S834S1,NATURAL	1	SA
27	DA62-04309A	2	A0669	DRYER	C1220T-H,L137,SINGLE MOUTH,For VAL	1	SA
28	6011-004061	3	A0564	BOLT-HEX	M6,L43.6,SWRCH10A	4	SA
29	DA63-02617A	3	Z1112	GROMMET COMP	USP05,EPDM,OD27.0,BLACK	4	SA
30	DA63-06122A	3	Z1032	COVER RELAY	MSV,MPPO,T2,BLACK,V-0	1	SA
31	DA62-04678A	2	-	VALVE STEP	DC12V,MODULE,2WAY,STRAIGHT/ST	1	SA
32	DA62-00960A	2	-	SEAL CUTT-RUBBER	RUBBER,BLACK,T3,W40,L70	1	SA
33	DA34-00004D	3	A0575	RELAY PROTECTOR O/L	4TM445PHBYY-82,BLDC,	1	SA
34	DA67-30266K	2	A0270	CAP SCREW	A-TOP,PP,T1.5,HB,BJ750,COOL WH	4	SA
35	NC4MVA1ALP/TT1	2	-	CMP,COMP,REFRIGERATOR,R-60	0	1	-