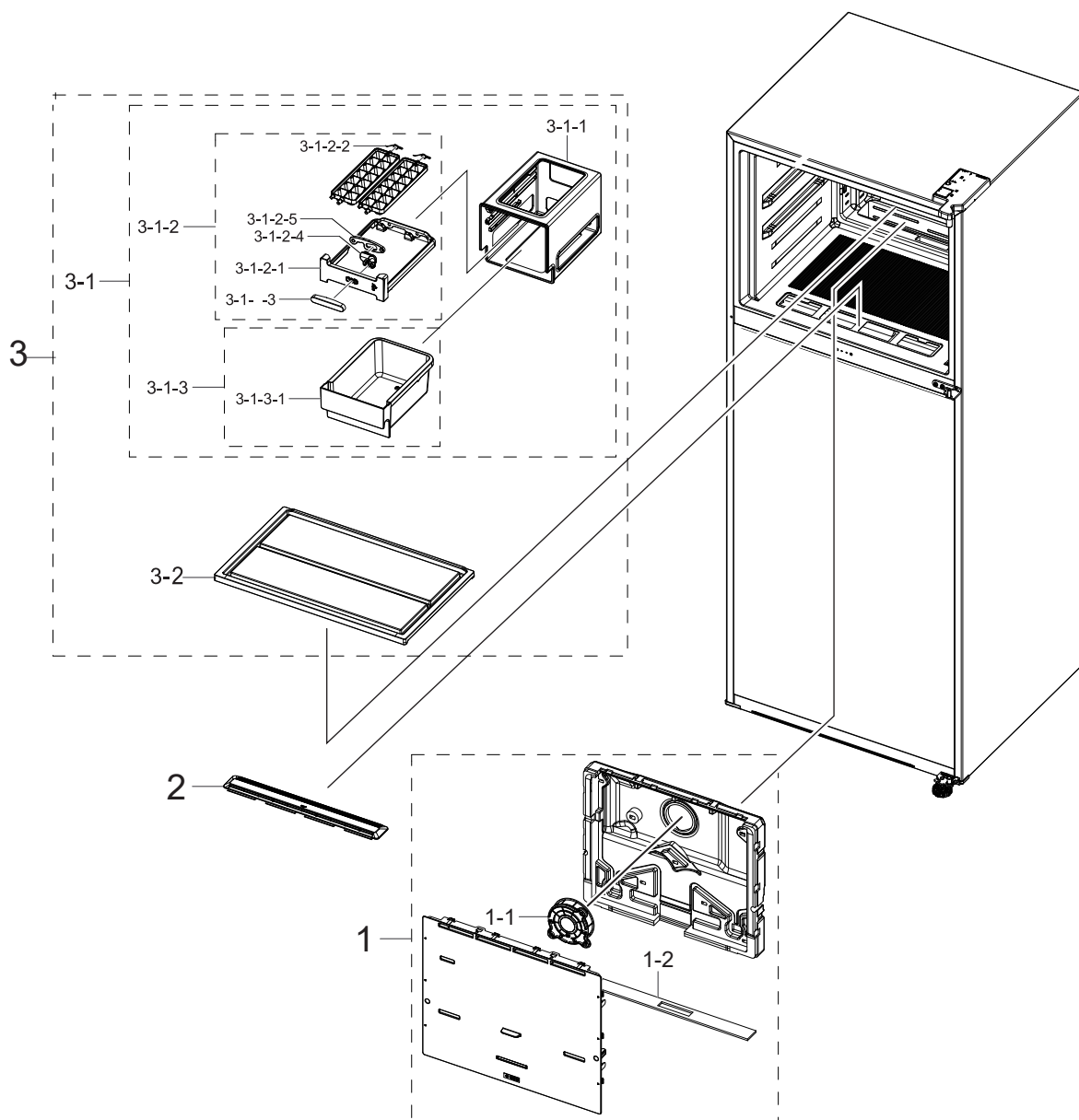


[RT6300C] RT47CG6626S9ES EXPLODED VIEW AND PARTS LIST

■ FREEZER

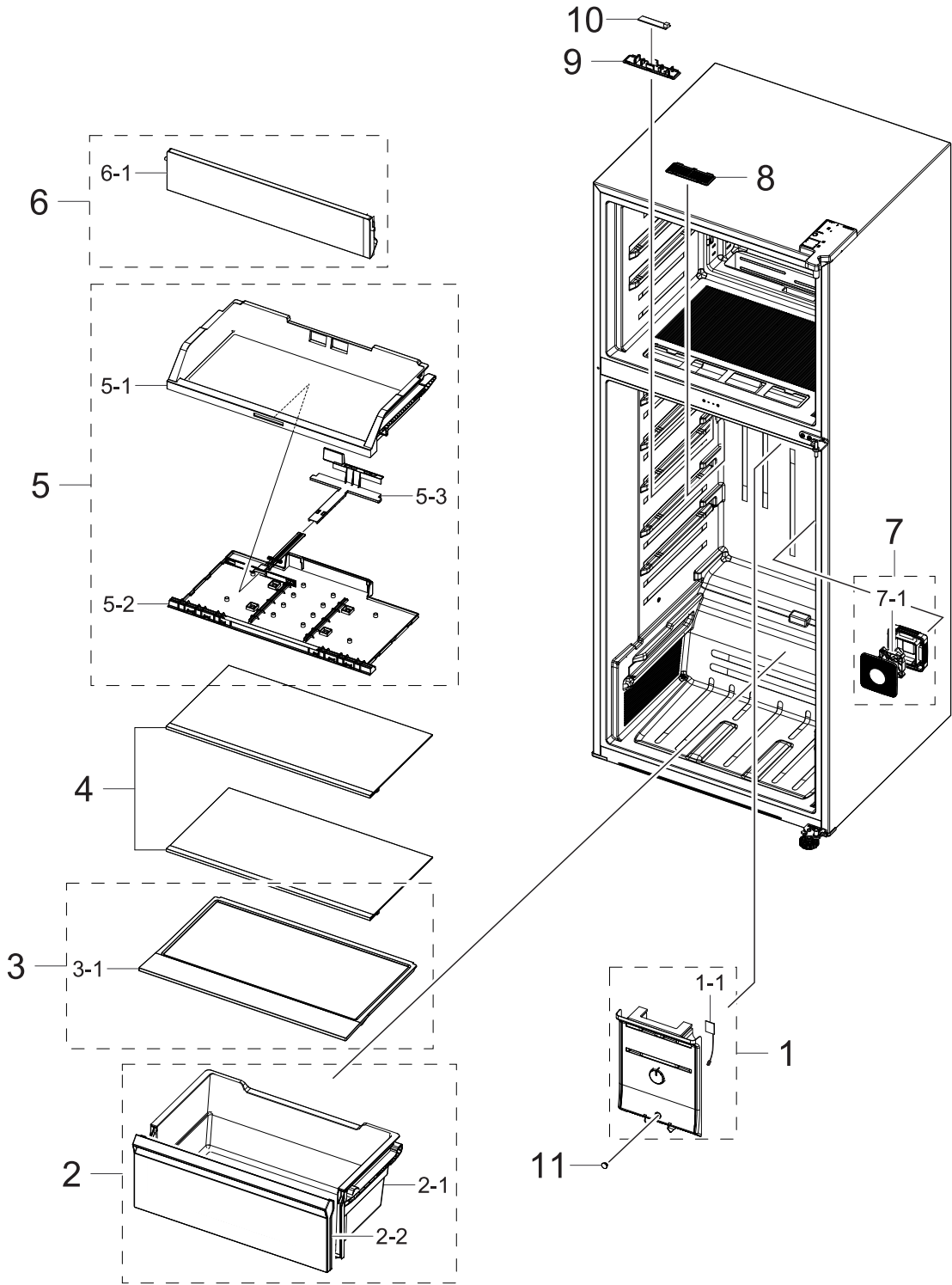


PART LIST OF FREEZER : RT47CG6626S9ES

SA: Service available, SNA : Service not available

No.	Code No.	Description	Specification	Qty	SA/SNA
1	DA97-23993A	ASSY COVER EVAP-FRE	RT6300C,RT47	1	SA
1-1	DA31-00334C	MOTOR BLDC FAN	12035GE-12M-YT,1775±7%,12	1	SA
1-2	DA62-06111A	SEAL COVER EVAP-FRE	RT6300C,PE OPEN CELL	1	SA
2	DA63-07355A	COVER AIR-FRE	RT380/350,PP,T1.5,-,COOL W	1	SA
3	DA97-16152J	ASSY ICE MAKER	RT6300C,RT47, Twist Ice Ma	1	SA
3-1	DA97-16152J	ASSY ICE MAKER	RT5/6/7000K,GLOBAL	1	SA
3-1-1	DA61-10831C	SUPPORT ICE MAKER	RT5/6/7000K,PP,-,BC03B	1	SA
3-1-2	DA97-13501C	ASSY TRAY ICE	RT32/29/25/22,2 TWIST_PP,N	1	SA
3-1-2-1	DA61-08907A	CASE-TRAY ICE	RT38/35/32/29,2TWIST,PP,-,	1	SA
3-1-2-2	DA61-20136A	SPRING ETC-ICE MAKER	SR-53EA,STS304,COIL	2	SA
3-1-2-3	DA64-04461A	KNOB-TRAY ICE	3050 TMF,HIPS,NATURAL,COOL	1	SA
3-1-2-4	DA66-01003A	LEVER-TRAY ICE KNOB	3050,TMF,PA66,-,101F	1	SA
3-1-2-5	DA66-01006A	LEVER-TRAY ICE	RT320,POM,K300,NATURAL,NA	1	SA
3-1-3	DA97-13671H	ASSY TRAY ICE	RT7000,TRAY ICE-CUBE,GPPS,	1	SA
3-1-3-1	DA63-07331C	TRAY ICE-CUBE	RT5/6/7000K,RT4500,GPPS,HB	1	SA
3-2	DA67-05561A	SHELF-FRE	RT6300C,GPPS,TP BLUE,-,656D,RT	1	SA

■ REFRIGERATOR

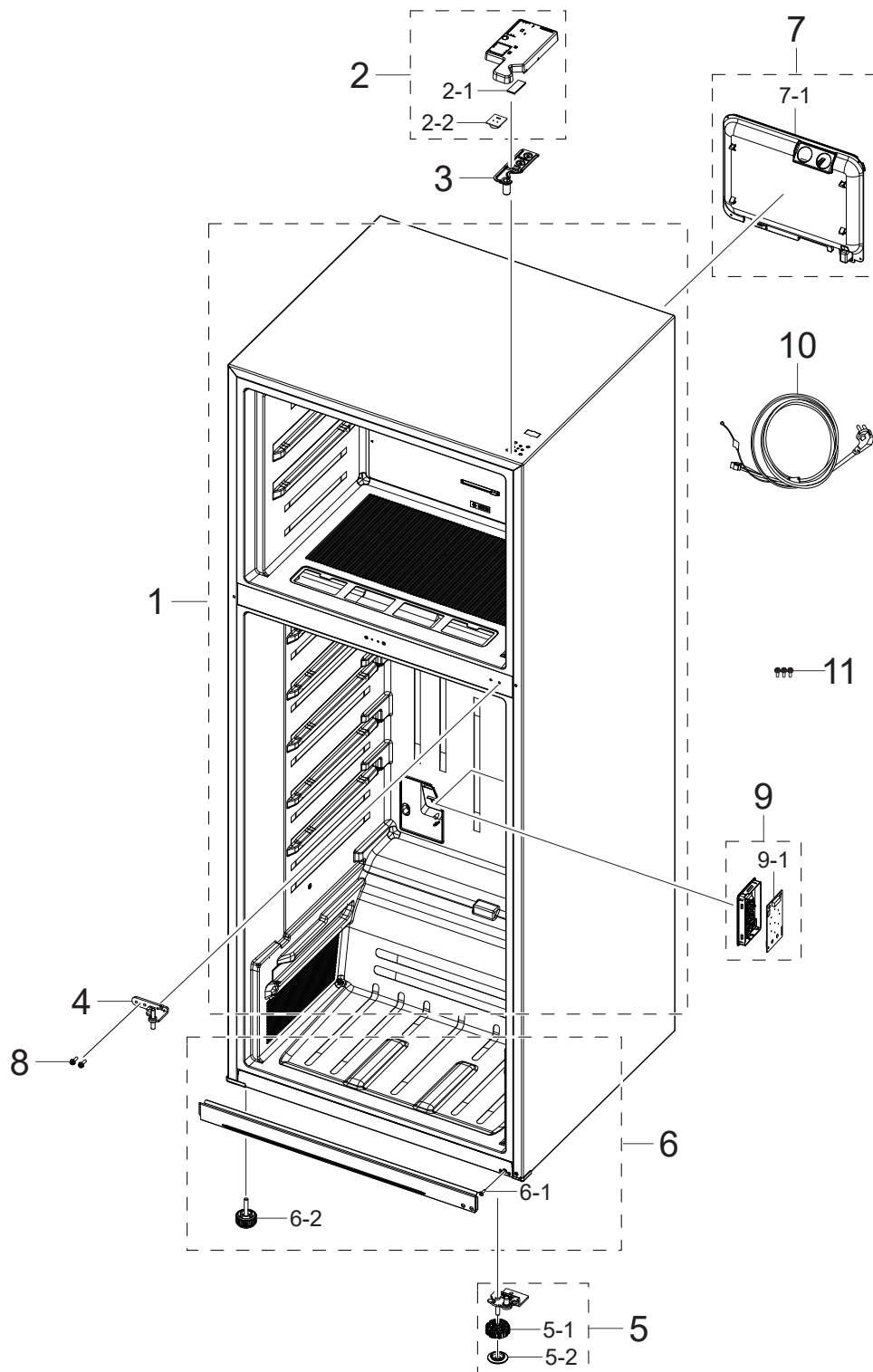


PART LIST OF REFRIGERATOR : RT47CG6626S9ES

SA: Service available, SNA : Service not available

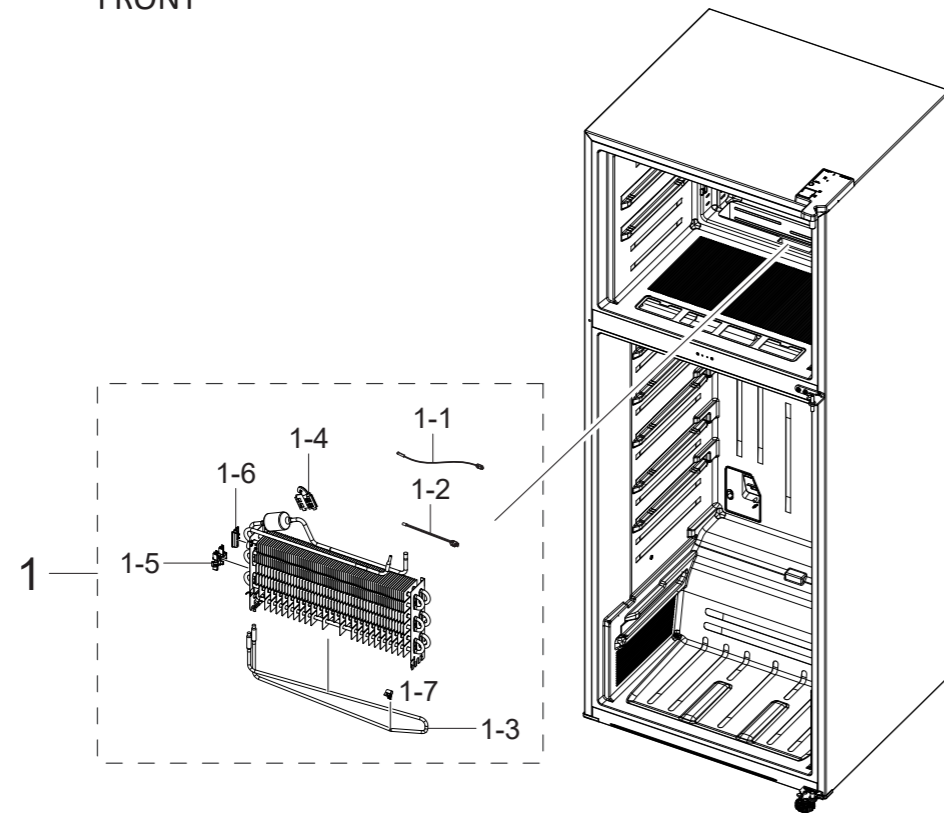
No.	Code No.	Description	Specification	Qty	SA/SNA
1	DA97-13528R	ASSY COVER MULTI-REF	RT5300C/6300C,DISPL	1	SA
1-1	DA32-10109Y	SENSOR TEMP	TPA APPLIED,L150,13.2kohm,2%	1	SA
2	DA97-24147A	ASSY CASE VEG-LOW	RT6300C,RT47,Global	1	SA
2-1	DA61-15732A	CASE VEG-LOW	RT6300C,PP,T2.5,COOL WHITE,	1	SA
2-2	DA97-24334A	ASSY COVER VEG-LOW	RT6300C,Global	1	SNA
3	DA97-24174A	ASSY SHELF-COVER VEG SHELF MODULE	RT6300	1	SA
3-1	DA67-05565A	SHELF-COVER VEGETABLE	RT6300C,HIPS,COOL	1	SNA
4	DA97-24178A	ASSY SHELF-GLASS REF SHELF MODULE	RT6300	2	SA
5	DA97-24020A	ASSY TRAY CHILLED ROOM	RT6300C,RT47	1	SA
5-1	DA63-11922A	TRAY CHILLED ROOM-UP	RT6300C,HIPS,T2.5,-	1	SNA
5-2	DA63-11924A	TRAY CHILLED ROOM-LOW	RT6300C,PP,T2.5,-,	1	SNA
5-3	DA64-07349A	KNOB-A	RT6300C,ABS,COOL WHITE,-,GP-35,RT	1	SNA
6	DA97-24060A	ASSY COVER CHILLED ROOM	RT6300C,RT47/42/	1	SNA
6-1	DA63-11947A	COVER CHILLED ROOM	RT6300C,GPPS,T2.5,-,T	1	SA
7	DA97-22517A	ASSY COVER DEODORIZER	RT6300	1	SA
7-1	DA31-00334C	MOTOR BLDC FAN	66mm boxfan motor,3600rpm	1	SA
8	DA63-07710A	COVER AIR-REF	RT H530/500/460/430G,PP,-,	1	SA
9	DA63-07368A	COVER LAMP	3050,SBC,T2,HB,NATURAL,KR01	2	SA
10	DA41-00519R	ASSY LAMP LED	3ea,CEM-1,65*10*1.6T,WHITE	2	SA
11	DA67-30266K	CAP SCREW	A-TOP,PP,T1.5,HB,BJ750,COOL WH	1	SA

■ CABINET

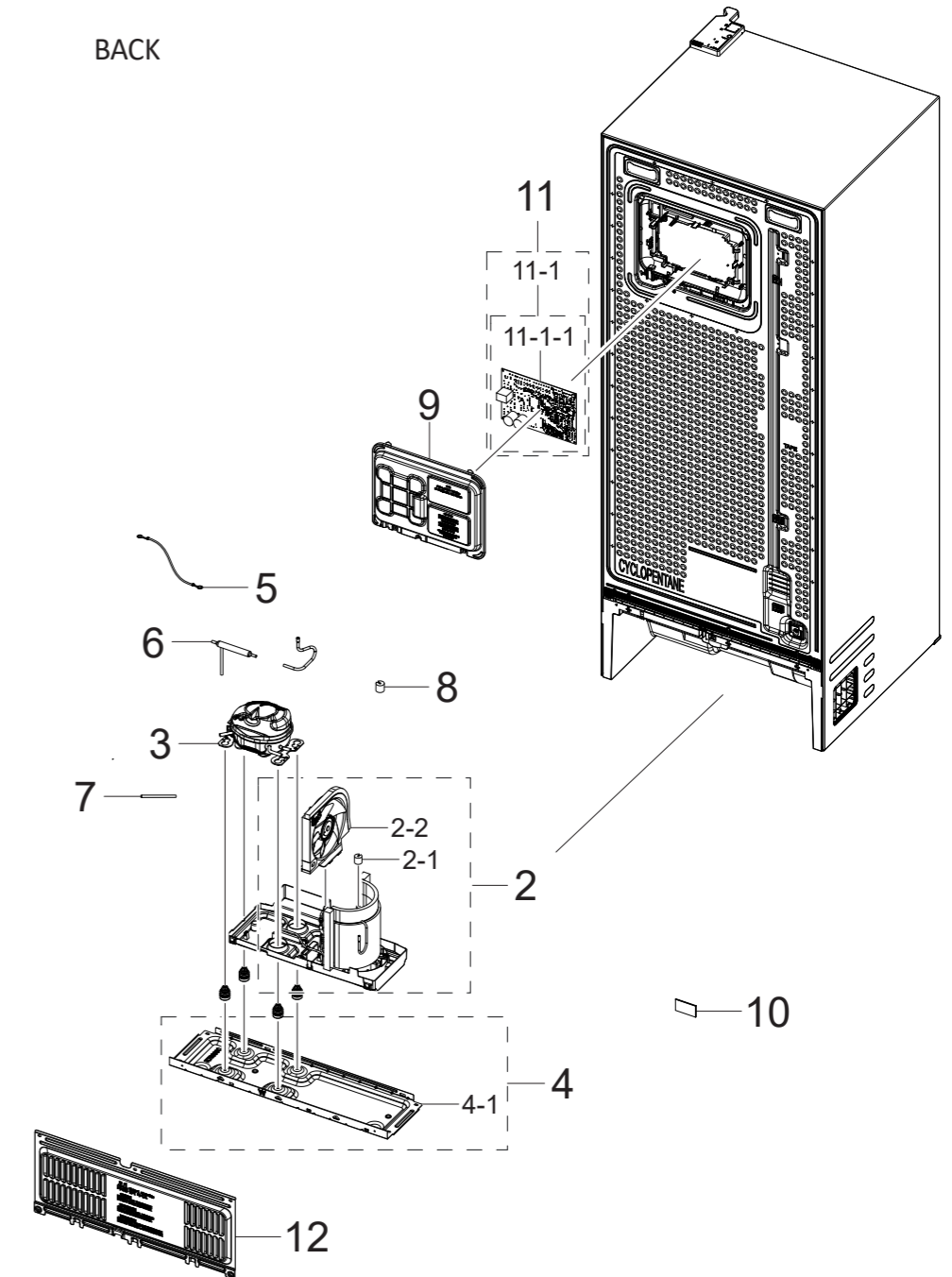


No.	Code No.	Description	Specification	Qty	SA/SNA
1	DA94-07525T	ASSY LINER	RT6300C,RT47,Display,Wifi,ES/	1	SNA
2	DA97-24142A	ASSY COVER HINGE-UP RIGHT	RT6300C,PP,INO	1	SA
2-1	4709-003051	W-LAN MODULE	CCAR210R,SDA8700CSM,IEEE802	1	SA
2-2	DA92-00817A	ASSY MODULE	BUZZER PBA,RB6000K,Standard	1	SA
3	DA97-13610A	ASSY HINGE UPP	3050PJ,T2.0,380/350	1	SA
4	DA97-14404A	ASSY HINGE-MIDDLE	RT-H530G,530/500/460/4	1	SA
5	DA97-13857G	ASSY HINGE-LOW	RT6300C	1	SA
5-1	DA61-07972B	FOOT-FRONT	POLARIS,PP,BLACK,-,P-002HB,IN	1	SA
5-2	DA61-07973B	FOOT	POLARIS,PP,BLACK,-,P-002HB,PP_S	1	SA
6	DA97-24182A	ASSY CABI-BOTTOM	RT6300C_RT47,5VA,PFC	1	SNA
6-1	6002-001122	SCREW-TAPPING	FH,+,1,M4,L14,ZPC(WHT),SWR	3	SC
6-2	DA61-00805E	FOOT-FRONT	ARAM-PJT,PP,BLACK,-,P-002HB	1	SA
7	DA97-24190B	ASSY CABI FRAME-REAR	RT6300C,RT47, NON A	1	SNA
7-1	DA61-15956A	CASE PCB	RT5000K,PP,T2.5,BLACK,-,RM60,Re	1	SNA
8	6011-001546	BOLT-HEX	M5(P0.8),L16,ZPC(WHT),HWH,+,SWR	2	SA
9	DA97-22438H	ASSY COVER CONTROL	RT6300C,WIFI	1	SA
9-1	DA92-00464Q	ASSY PBA MODULE	MATRIX,RT6300C,GLOBAL,2K	1	SNA
10	3903-001011	POWER CORD-AT	H05VV-F 3x0.75mm2,BLK,EU3F	1	SA
11	6011-001546	BOLT-HEX	M5(P0.8),L16,ZPC(WHT),HWH,+,SWR	3	SA

FRONT



BACK

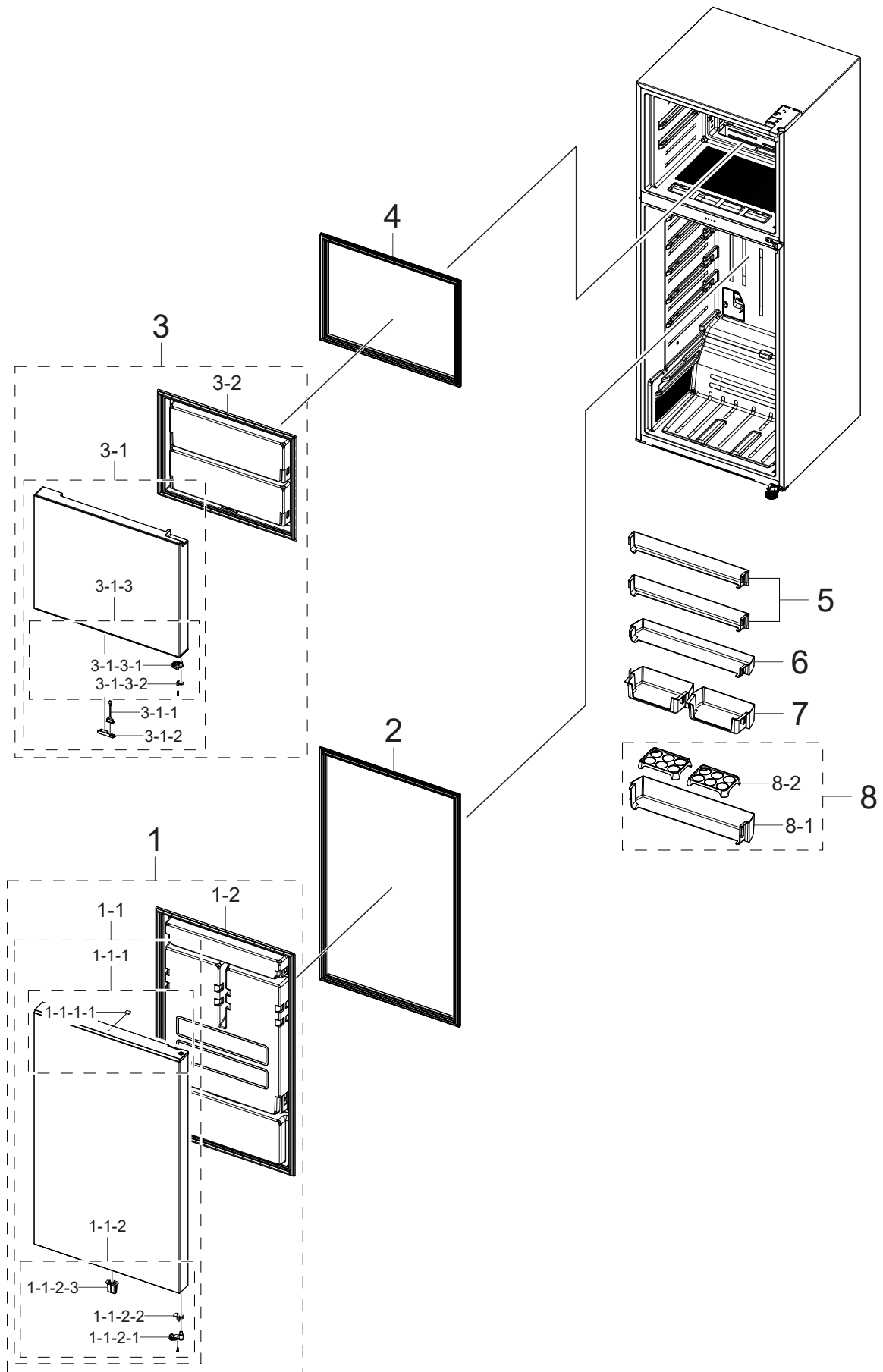


PART LIST OF CYCLE : RT47CG6626S9ES

SA: Service available, SNA : Service not available

No.	Code No.	Description	Specification	Qty	SA/SNA
1	DA96-01010Q	ASSY EVAP-FRE	RT5/6000K_Mono Cooling,Fin	1	SA
1-1	DA32-00066B	SENSOR TEMP	chip PBA CAP, 502AT or DKST1	1	SA
1-2	DA47-00301F	THERMO FUSE-ASSY	AC250V,10A,109~110C,-C,	1	SA
1-3	DA47-00507B	HEATER METAL SHEATH	AC230V,3050 TMF, 352	1	SA
1-4	DA61-00603A	FIXER SENSOR	All model,PP,T2,BLACK,-,TYP	1	SA
1-5	DA61-07410A	FIXER-HEATER FRE	NW2,PP,-,NATURAL,-,BJ75	2	SA
1-6	DA61-07411A	FIXER-FUSE	NW2,PP,NATURAL,BJ750	1	SA
1-7	DA61-12385A	PLATE HEATER	BRF8000M,AI,T0.7,-,-,-,A1	1	SA
2	DA97-24006B	ASSY TRAY DRAIN WATER	RT6300C,PFC, S3	1	SA
2-1	DA63-40171B	GROMMET-SUCT PIPE A	NBR,ID4,OD20	1	SC
2-2	DA97-20025B	ASSY SUPPORT-CIRCUIT MOTOR	RS5000RC,C160	1	SA
3	NI34T9101ABTSC	CMP,COMP,REFRIGERATOR,R600A		1	-
4	DA97-24083A	ASSY CHASSIS COMP	RT6300C,GI-SGCC,T0.8,B	1	SA
4-1	DA64-07325A	CHASSIS COMP	RT6300C,GI-SGCC,T0.8,-,-,-,	1	SNA
5	DA39-00429F	ASSY WIRE HARNESS-EARTH	ALL,FREE VOLT,UL	1	SA
6	DA62-04309C	DRYER	C1220T-H,L118,SINGLE MOUTH,For Cap	1	SA
7	DA73-00199C	PIPE CONNECT	RT5/6/7000K,Cu,OD6.35,T0.6,	1	SA
8	DA63-40171B	GROMMET-SUCT PIPE A	NBR,ID4,OD20	1	SC
9	DA97-16238E	ASSY COVER PCB-MAIN	All Project,GI-SGCC,	1	SA
10	DA62-00960A	SEAL CUTT-RUBBER	RT5000K,RUBBER,T3,W40,L	1	SA
11	DA92-01404F	ASSY PCB MAIN	RT6300C,160*194,220V,RT47,	1	SA
11-1	DA94-07258A	ASSY PCB AUTO	RT6300C,160*194,220V,RT47,	1	SNA
11-1-1	DA94-07259A	ASSY PCB SMD	RT6300C,160*194,220V,RT47,F	1	SNA
12	DA63-11918A	COVER COMP	RT6300C,GL-SGLCC,T0.25,-,-,-,	1	SNA

DOOR



No.	Code No.	Description	Specification	Qty	SA/SNA
1	DA91-06373E	ASSY DOOR FOAM-REF	RT6300C,RT47,MATT DOI	1	SA
1-1	DA97-24307B	ASSY PLATE DOOR-REF	RT6300C,S9,RT47 REF	1	SNA
1-1-1	DA97-24218A	ASSY CAP DOOR-REF UP	RT6300C,ABS,INOX GR	1	SNA
1-1-1-1	DA61-03769B	MAGNET	SVETA,FERRITE,1600Gauss	1	SA
1-1-2	DA97-24219A	ASSY CAP DOOR-REF LOW	RT6300C,Recycled A	1	SNA
1-1-2-1	DA61-00589B	STOPPER DOOR-REF LOW	RT6000K,PK,M33R3A00	1	SA
1-1-2-2	DA61-09633A	STOPPER-REF	3050-2,PO-SPHC,T4,-,-	1	SA
1-1-2-3	DA61-10298A	SUPPORT DOOR	3050 Trimkit,PP,RM60,BLACK,	1	SA
1-2	DA64-07326A	PANEL-REF	RT6300C,ABS,T1.1,W688.8,L1168.	1	SNA
2	DA97-24092A	ASSY GASKET-REF	RT6300C,RT47, GRAY, W638	1	SA
3	DA91-06361K	ASSY DOOR FOAM-FRE	RT6300C,RT47,MATT DOI	1	SA
3-1	DA97-24306B	ASSY PLATE DOOR-FRE	RT6300C,REED SW,S9,R	1	SNA
3-1-1	DA34-00043J	SWITCH REED	UL1007 AWG 22,50mm	1	SA
3-1-2	DA67-02385M	CAP DOOR SWITCH	3050-PJT,PP,T1.5,HB,BJ75	1	SA
3-1-3	DA97-24217A	ASSY CAP DOOR-FRE LOW	RT6300C,ABS,INOX G	1	SNA
3-1-3-1	DA63-06734B	GROMMET HINGE-FRE LOW	RT-H530G,PK,BLACK,	1	SA
3-1-3-2	DA71-40137A	STOPPER-DOOR	STS304,T2,-,-	1	SA
3-2	DA64-07332A	PANEL-FRE	RT6300C,ABS,T1.1,W688.8,L532.4	1	SNA
4	DA97-24091A	ASSY GASKET-FRE	RT6300C,RT38/42/47, GRAY	1	SA
5	DA63-11927A	GUARD-FRE	RT6300C,GPPS,T3,TP BLUE,-,-,65	2	SA
6	DA63-07417A	GUARD-EGG	3050,GPPS,T3,TP BLUE,-,HB,HH10	1	SA
7	DA63-11964A	GUARD-VARIETY DOOR BIN MODULE	RT6300C,GP	2	SA
8	DA97-24266A	ASSY GUARD-BOTTLE DOOR BIN MODULE	RT6300	1	SA
8-1	DA63-07387A	GUARD-BOTTLE	3050,GPPS,T3,TP BLUE,-,HB,H	1	SA
8-2	DA63-11520A	TRAY EGG	3050,GPPS,HB,TP BLUE,165N,HI-IM	2	SA