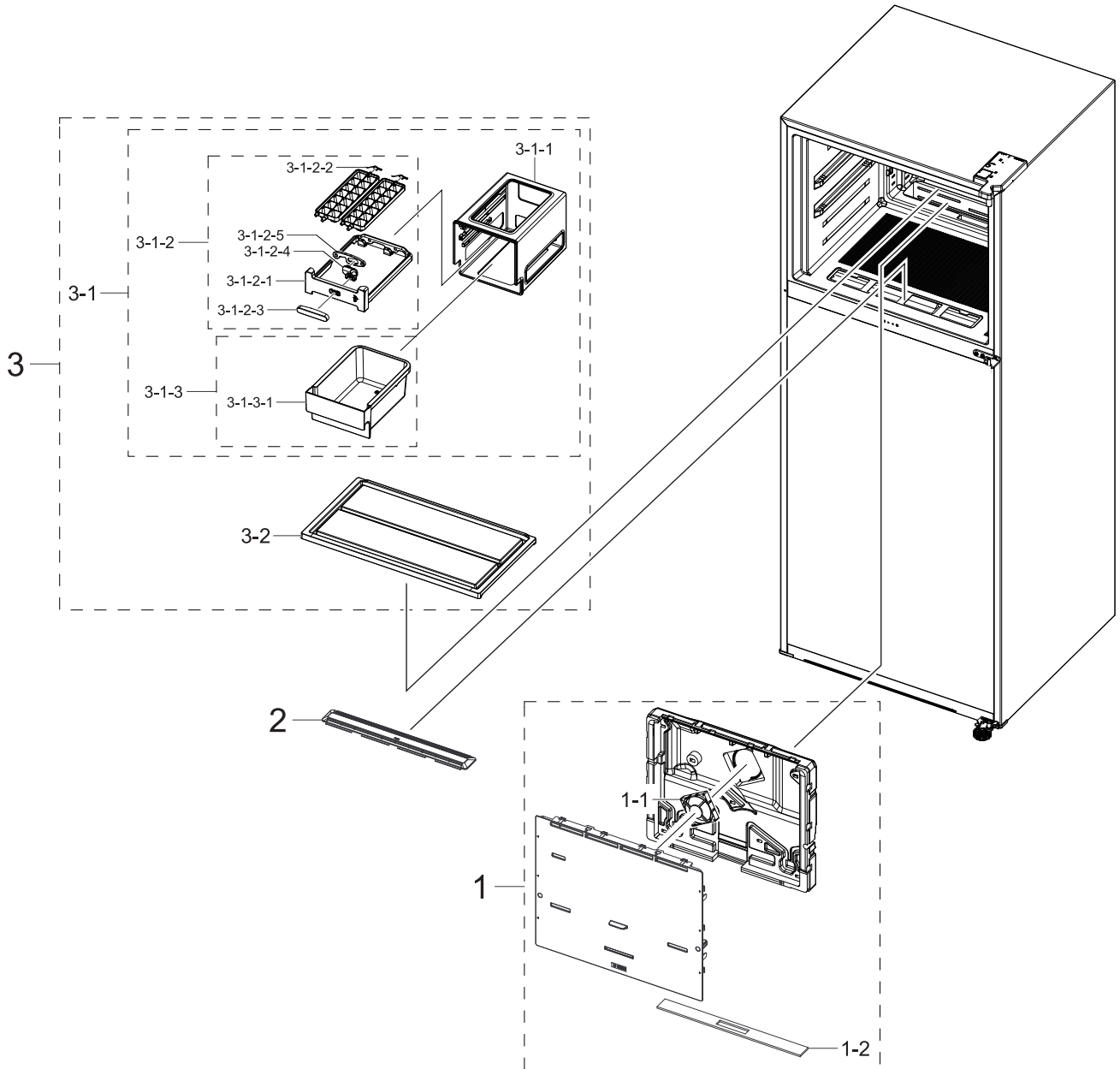


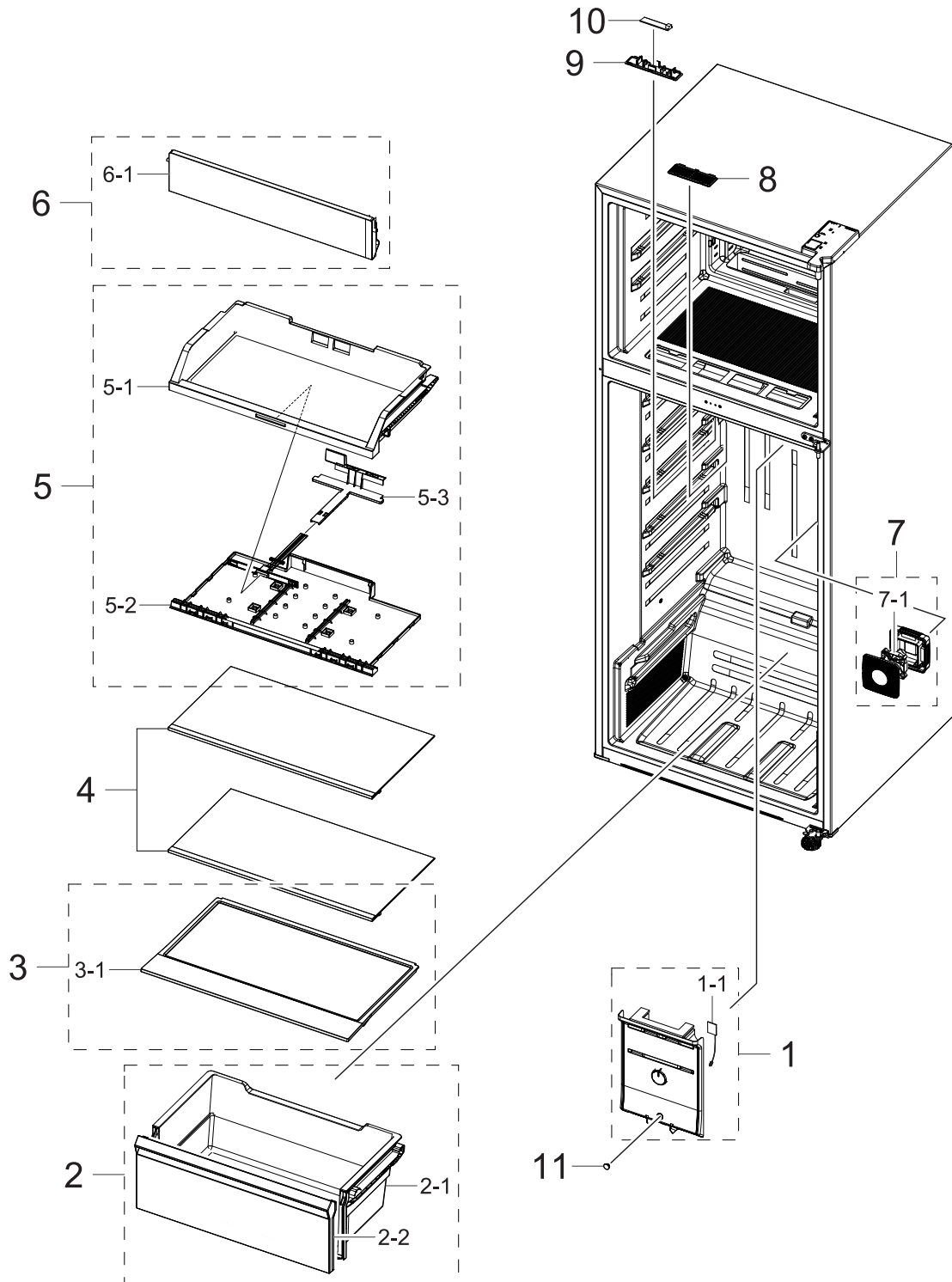
# [RT5300C] RT31CG5624WWES EXPLODED VIEW AND PARTS LIST

## ■ FREEZER



No.	Code No.	Description	Specification	Qty	SA/SNA
1	DA97-23995A	ASSY COVER EVAP-FRE	RT5300C,RT31/35	1	SA
1-1	DA31-00287E	MOTOR BLDC FAN	U92C12MS1B3-52K093,3115.5	1	SA
1-2	DA62-06110A	SEAL COVER EVAP-FRE	RT5300C,PE OPEN CELL	1	SA
2	DA63-07332A	COVER AIR-FRE	RT32/29/25/22,PP,T1.5,-,CO	1	SA
3	DA90-14037A	ASSY ICE MAKER	RT5300C,RT31,Plastic Shel	1	SNA
3-1	DA97-16152J	ASSY ICE MAKER	RT5/6/7000K,GLOBAL	1	SA
3-1-1	DA61-10831C	SUPPORT ICE MAKER	RT5/6/7000K,PP,-,BC03B	1	SA
3-1-2	DA97-13501C	ASSY TRAY ICE	RT32/29/25/22,2 TWIST_PP,N	1	SA
3-1-2-1	DA61-08907A	CASE-TRAY ICE	RT38/35/32/29,2TWIST,PP,-,	1	SA
3-1-2-2	DA61-20136A	SPRING ETC-ICE MAKER	SR-53EA,STS304,COIL	2	SA
3-1-2-3	DA64-04461A	KNOB-TRAY ICE	3050 TMF,HIPS,-,NATURAL,CO	1	SA
3-1-2-4	DA66-01003A	LEVER-TRAY ICE KNOB	3050,TMF,PA66,-,101F	1	SA
3-1-2-5	DA66-01006A	LEVER-TRAY ICE	RT320,POM,K300,NATURAL,NA	1	SA
3-1-3	DA97-13671H	ASSY TRAY ICE	RT7000,TRAY ICE-CUBE,GPPS,	1	SA
3-1-3-1	DA63-07331C	TRAY ICE-CUBE	RT5/6/7000K,RT4500,GPPS,HB	1	SA
3-2	DA67-05564A	SHELF-FRE	RT5000C,GPPS,TP BLUE,-,656D,RT	1	SA

■ REFRIGERATOR

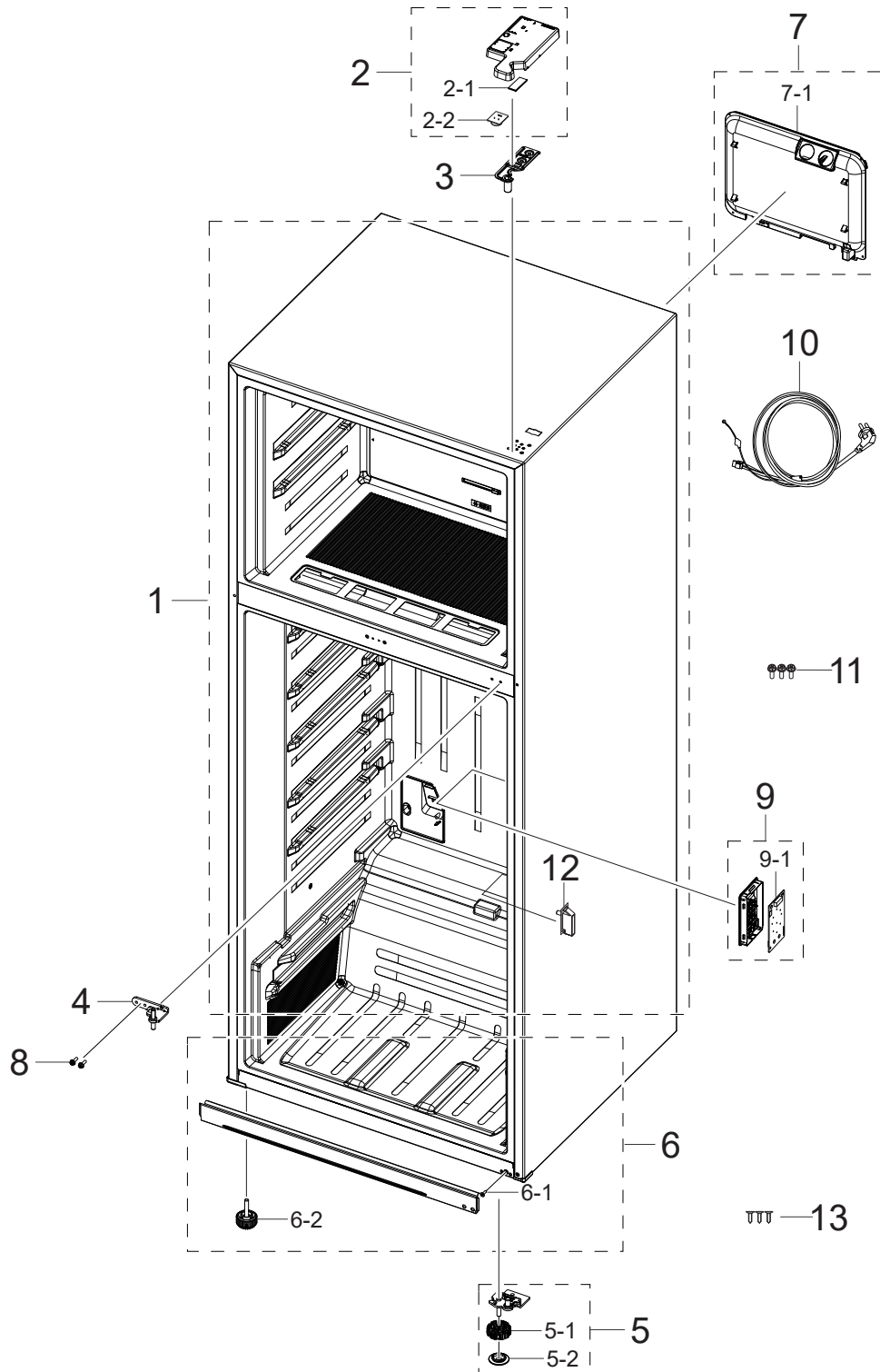


## PART LIST OF REFRIGERATOR : RT31CG5624WWES

SA: Service available, SNA : Service not available

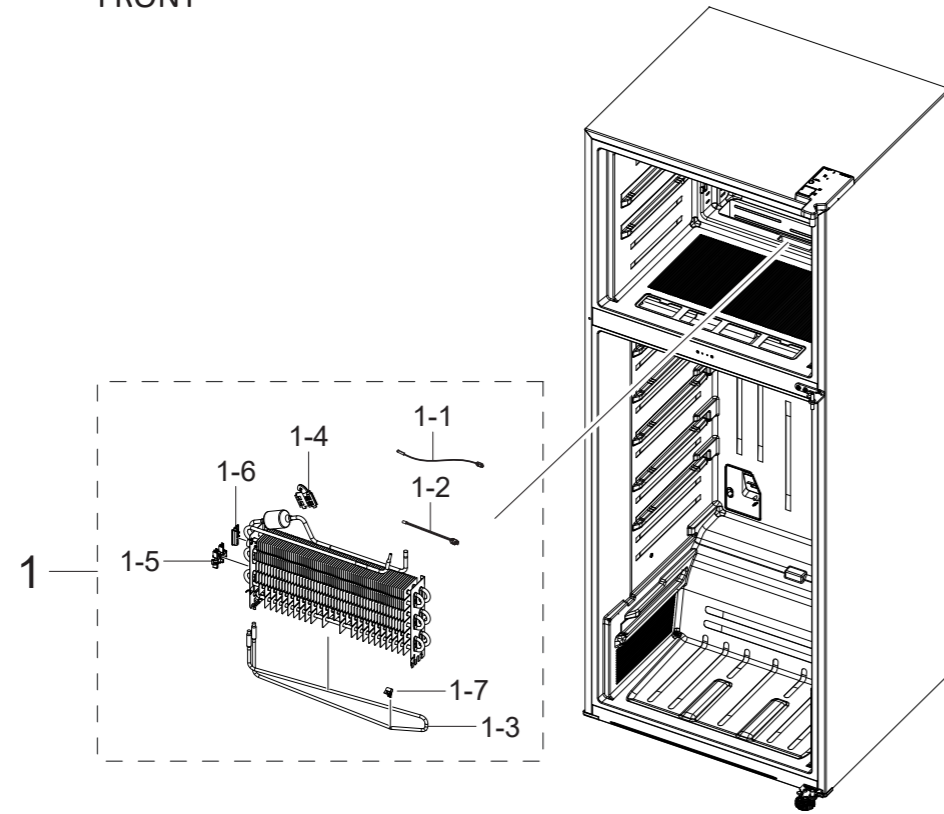
No.	Code No.	Description	Specification	Qty	SA/SNA
1	DA97-13528R	ASSY COVER MULTI-REF	RT5300C/6300C,DISPL	1	SA
1-1	DA32-10109Y	SENSOR TEMP	TPA APPLIED,L150,13.2kohm,2%	1	SA
2	DA97-24150A	ASSY CASE VEG-LOW	RT5300C,RT31,Global	1	SA
2-1	DA61-15823A	CASE VEG-LOW	RT5300C,PP,T2.5,COOL WHITE,	1	SA
2-2	DA97-24335A	ASSY COVER VEG-LOW	RT5300C,Global	1	SNA
3	DA97-24177A	ASSY SHELF-COVER VEG SHELF MODULE	RT5300	1	SA
3-1	DA67-05568A	SHELF-COVER VEGETABLE	RT5300C,HIPS,COOL	1	SNA
4	DA97-24181A	ASSY SHELF-GLASS REF SHELF MODULE	RT5300	2	SA
5	DA97-24059A	ASSY TRAY CHILLED ROOM	RT5300C,RT31	1	SA
5-1	DA63-11954A	TRAY CHILLED ROOM-UP	RT5300,HIPS,T2.5,-,	1	SNA
5-2	DA63-11952A	TRAY CHILLED ROOM-LOW	RT5300C,PP,T2.5,-,	1	SNA
5-3	DA64-07349A	KNOB-A	RT6300C,ABS,-,COOL WHITE,-,GP-35,	1	SNA
6	DA97-24061A	ASSY COVER CHILLED ROOM	RT5300C,RT35/31	1	SNA
6-1	DA63-11950A	COVER CHILLED ROOM	RT5300C,GPPS,T2.5,-,T	1	SA
7	DA97-22517A	ASSY COVER DEODORIZER	RT6300	1	SA
7-1	DA02-00216B	CATALYST-DEODORIZER	T10,W15,L30,3050 TMF	1	SA
8	DA63-07710A	COVER AIR-REF	RT H530/500/460/430G,PP,-,	1	SA
9	DA63-07368A	COVER LAMP	3050,SBC,T2,HB,NATURAL,KR01	1	SA
10	DA41-00519R	ASSY LAMP LED	3ea,CEM-1,65*10*1.6T,WHITE	1	SA
11	DA67-30266K	CAP SCREW	A-TOP,PP,T1.5,HB,BJ750,COOL WH	1	SA

■ CABINET

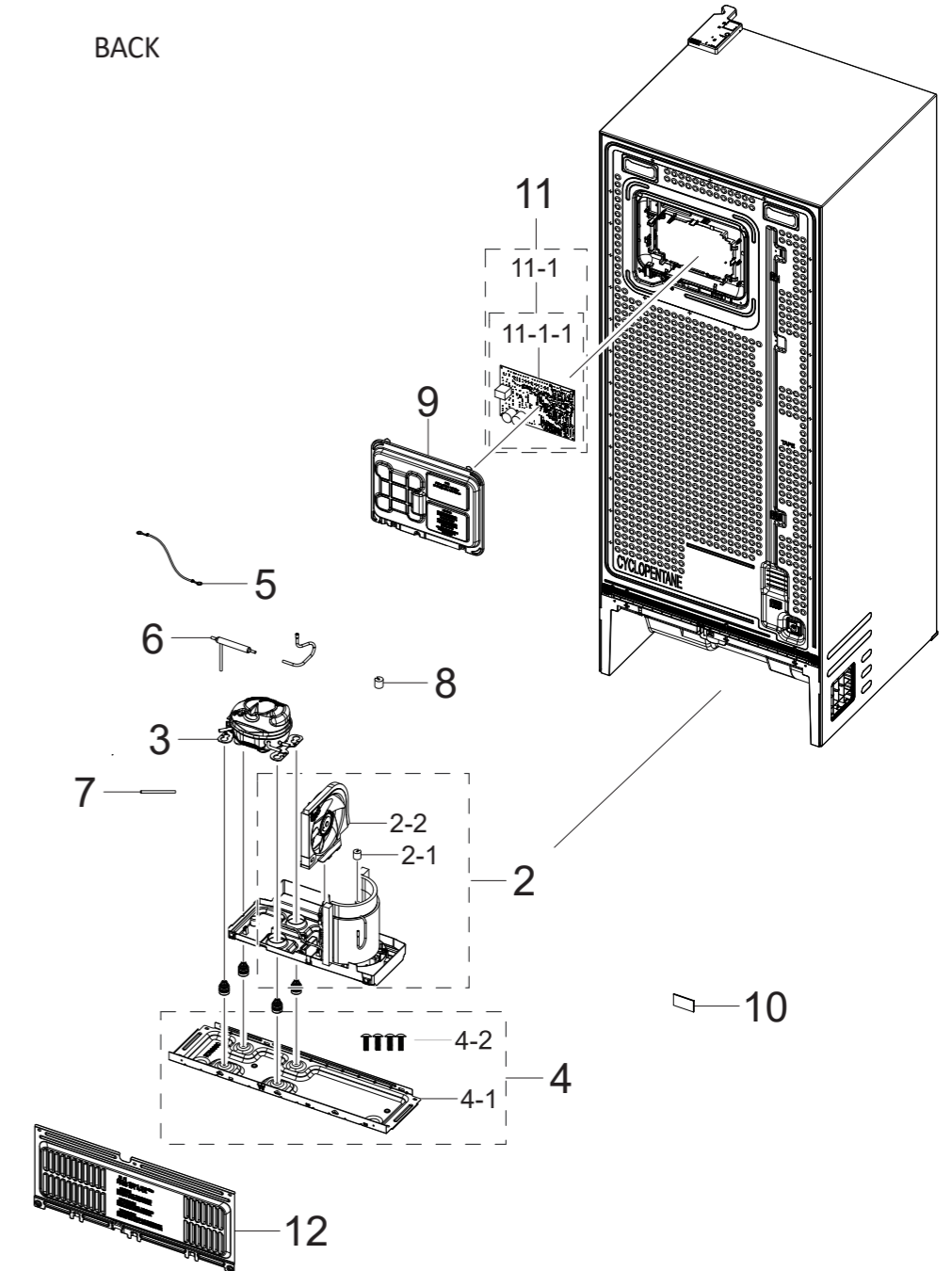


No.	Code No.	Description	Specification	Qty	SA/SNA
1	DA94-08269A	ASSY LINER	RT5300C,RT31,Display,Wifi,C-F	1	SNA
2	DA97-24142D	ASSY COVER HINGE-UP RIGHT	RT6300C,PP,WHI	1	SA
2-1	4709-003051	W-LAN MODULE	CCAR210R,SDA8700CSM,IEEE802	1	SA
2-2	DA92-00817A	ASSY MODULE	BUZZER PBA,RB6000K,Standard	1	SA
3	DA97-13610A	ASSY HINGE UPP	3050PJ,T2.0,380/350	1	SA
4	DA97-14404A	ASSY HINGE-MIDDLE	RT-H530G,530/500/460/4	1	SA
5	DA97-13857G	ASSY HINGE-LOW	RT6300C	1	SA
5-1	DA61-07972B	FOOT-FRONT	POLARIS,PP,BLACK,-,-,P-002HB,	1	SA
5-2	DA61-07973B	FOOT	POLARIS,PP,BLACK,-,-,P-002HB,PP_S	1	SA
6	DA97-24237B	ASSY CABI-BOTTOM	RT5300C,RT31,5VA,PFC	1	SNA
6-1	6002-001122	SCREW-TAPPING	FH,+,1,M4,L14,ZPC(WHT),SWR	1	SC
6-2	DA61-00805E	FOOT-FRONT	ARAM-PJT,PP,NATURAL,-,T3,BJ75	1	SA
7	DA97-24193A	ASSY CABI FRAME-REAR	RT31/35	1	SNA
7-1	DA61-15956A	CASE PCB	RT5000K,PP,T2.5,BLACK,-,RM60,Re	2	SNA
8	6011-001546	BOLT-HEX	M5(P0.8),L16,ZPC(WHT),HWH,+,SWR	2	SA
9	DA97-22438H	ASSY COVER CONTROL	RT6300C,WIFI	1	SA
9-1	DA92-00464Q	ASSY PBA MODULE	MATRIX,RT6300C,GLOBAL,2K	1	SNA
10	3903-001011	POWER CORD-AT	H05VV-F 3x0.75mm2,BLK,EU3F	1	SA
11	6011-001546	BOLT-HEX	M5(P0.8),L16,ZPC(WHT),HWH,+,SWR	3	SA
12	DA34-10121C	SWITCH DOOR	AC125V/250V,1.5/0.75,1BUTTON	1	SA
13	6002-001122	SCREW-TAPPING	FH,+,1,M4,L14,ZPC(WHT),SWR	3	SC

FRONT



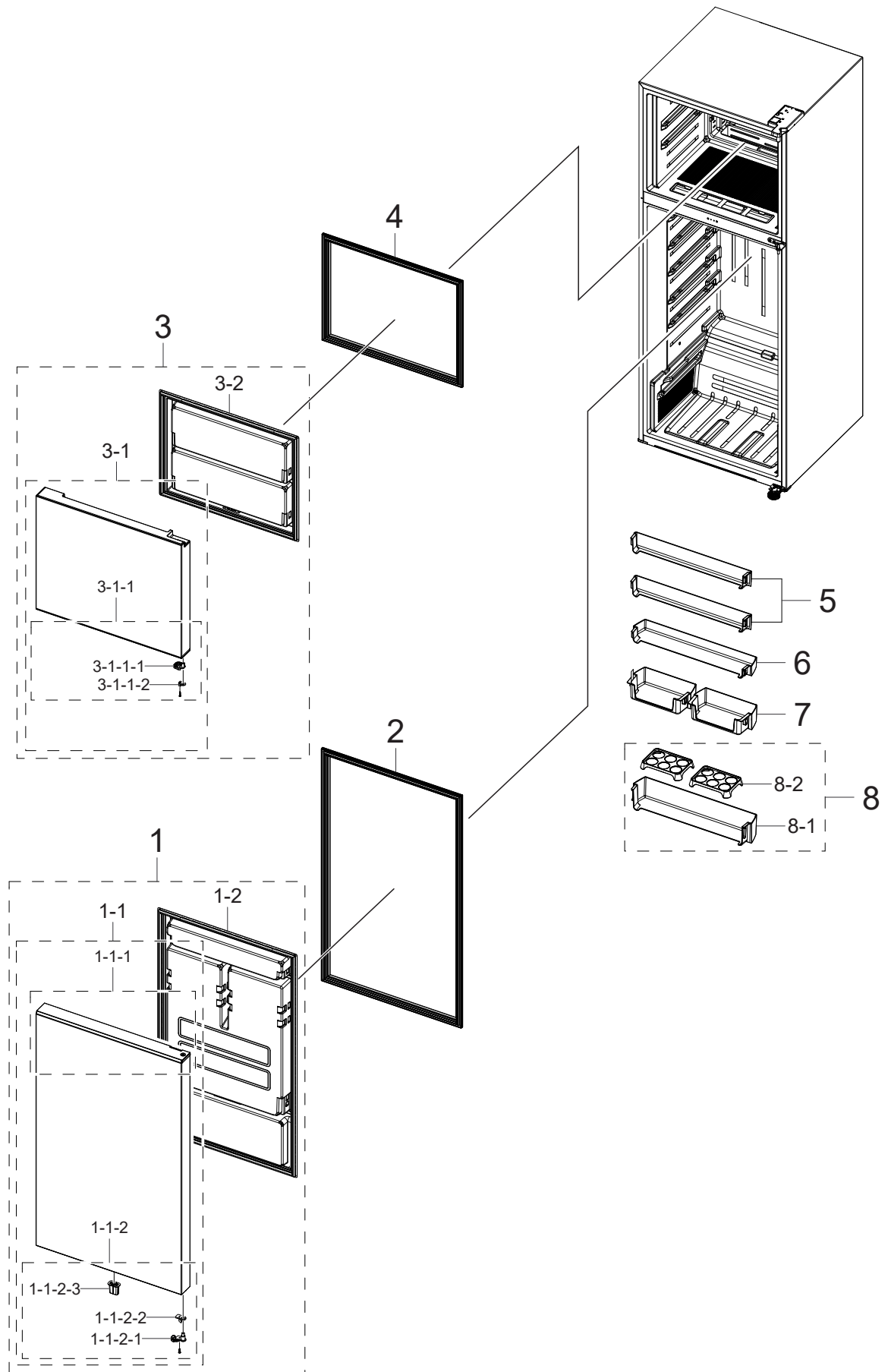
BACK



No.	Code No.	Description	Specification	Qty	SA/SNA
1	DA96-01443A	ASSY EVAP-FRE	RT5000K_RT29/32,Fin Tube,2	1	SA
1-1	DA32-00066B	SENSOR TEMP	chip PBA CAP, 502AT or DKST1	1	SA
1-2	DA47-00301D	THERMO FUSE-ASSY	AC250V,10A,109~110°C,S,O	1	SA
1-3	DA47-00507C	HEATER METAL SHEATH	AC230V,3050 TMF, 480	1	SNA
1-4	DA61-00603A	FIXER SENSOR	All model,PP,T2,NATURAL,-,M	1	SA
1-5	DA61-07410A	FIXER-HEATER FRE	NW2,PP,-,NATURAL,-,BJ75	2	SA
1-6	DA61-07411A	FIXER-FUSE	NW2,PP,NATURAL,BJ750	1	SA
1-7	DA61-12385A	PLATE HEATER	BRF8000M,AI,T0.7,-,-,-,-,A1	1	SA
2	DA97-24004B	ASSY TRAY DRAIN WATER	RT5300C,PFC, S3	1	SA
2-1	DA63-40171B	GROMMET-SUCT PIPE A	NBR,-,-,-,ID4,OD20	1	SC
2-2	DA97-20025B	ASSY SUPPORT-CIRCUIT MOTOR	RS5000RC,C160	1	SA
3	NI34T9101ABTSC	CMP,COMP,REFRIGERATOR,R600A	0	1	
4	DA97-24084A	ASSY CHASSIS COMP	RT5300C,GI-SGCC,T0.8,B	1	SA
4-1	DA64-07324A	CHASSIS COMP	RT5300C,GI-SGCC,T0.8,-,-,-,	1	SNA
4-2	6002-000613	SCREW-TAPPING	TH,+,-,-,2,M5,L16,ZPC(WHT),S	4	SA
5	DA39-00429F	ASSY WIRE HARNESS-EARTH	ALL,FREE VOLT,UL	1	SA
6	DA62-04309C	DRYER	C1220T-H,L118,SINGLE MOUTH,For Cap	1	SA
7	DA73-00199C	PIPE CONNECT	RT5/6/7000K,Cu,OD6.35,T0.6,	1	SA
8	DA63-40171B	GROMMET-SUCT PIPE A	NBR,-,-,-,ID4,OD20	1	SC
9	DA97-16238E	ASSY COVER PCB-MAIN	All Project,GI-SGCC,	1	SA
10	DA62-00960A	SEAL CUTT-RUBBER	RT5000K,RUBBER,T3,W40,L	1	SA
11	DA94-08203D	ASSY PCB EEPROM	0x5D,DA92-01404K,D603,D6	1	SA
11-1	DA94-07266A	ASSY PCB AUTO	RT5300C,160*194,220V,RT35/	1	SNA
11-1-1	DA94-07267A	ASSY PCB SMD	RT5300C,160*194,220V,RT35/3	1	SNA
12	DA63-11919A	COVER COMP	RT5300C,GI-SGLCC,T0.25,-,-,-,-,	1	SNA



■ DOOR



No.	Code No.	Description	Specification	Qty	SA/SNA
1	DA91-06360L	ASSY DOOR FOAM-REF	RT5300C,RT31/35,SNOW	1	SA
1-1	DA97-24303C	ASSY PLATE DOOR-REF	RT5300C,WW,RT31/35 R	1	SNA
1-1-1	DA97-24226B	ASSY CAP DOOR-REF UP	RT5300C,ABS,SNOW WH	1	SNA
1-1-2	DA97-24227A	ASSY CAP DOOR-REF LOW	RT5300C,Recycled A	1	SNA
1-1-2-1	DA61-00589B	STOPPER DOOR-REF LOW	RT6000K,PK,M33R3A00	1	SA
1-1-2-2	DA61-09633A	STOPPER-REF	3050-2,PO-SPHC,T4,-,-	1	SA
1-1-2-3	DA61-10298A	SUPPORT DOOR	3050 Trimkit,PP,RM60,BLACK,	1	SA
1-2	DA64-07333A	PANEL-REF	RT5300C,ABS,T0.9,W588.8,L1078.	1	SNA
2	DA97-24096A	ASSY GASKET-REF	RT5300C,RT31/35, GRAY, W	1	SA
3	DA91-06359C	ASSY DOOR FOAM-FRE	RT5300C,RT31/35,SNOW	1	SA
3-1	DA97-24302C	ASSY PLATE DOOR-FRE	RT5300C,WW,RT31/35 F	1	SNA
3-1-3	DA97-24225B	ASSY CAP DOOR-FRE LOW	RT5300C,ABS,SNOW W	1	SNA
3-1-1-1	DA63-06734B	GROMMET HINGE-FRE LOW	RT-H530G,PK,BLACK,	1	SA
3-1-1-2	DA71-40137A	STOPPER-DOOR	STS304,T2,-,-	1	SA
3-2	DA64-07335A	PANEL-FRE	RT5300C,ABS,T0.9,W588.8,L512.4	1	SNA
4	DA97-24095A	ASSY GASKET-FRE	RT5300C,RT31/35, GRAY, W	1	SA
5	DA63-07342A	GUARD-FRE	3050,GPPS,-,TP BLUE,-,HB,HH104	2	SA
6	DA63-07343A	GUARD-EGG	3050,GPPS,T3,TP BLUE,-,HB,HH10	1	SA
7	DA63-07344A	GUARD VARIETY	3050,GPPS,T2.5,TP BLUE,-,H	2	SA
8	DA97-24283A	ASSY GUARD-BOTTLE DOOR BIN MODULE	RT5300	1	SA
8-1	DA63-07345A	GUARD BOTTLE	3050,GPPS,T2.5,TP BLUE,-,HB	1	SA
8-2	DA63-11520A	TRAY EGG	3050,GPPS,HB,TP BLUE,165N,HI-IM	2	SA

Disclaimer:

This manual contains confidential and proprietary information of Samsung Electronics Co., Ltd. ("Samsung")

All text, graphics, user interfaces, visual interfaces, photographs, trademarks, and logos (collectively, "Content"), including but not limited to the design, structure, selection, coordination, "look and feel" and arrangement of such Content, contained in this manual is owned, controlled or licensed by or to Samsung, and is protected by trade dress, copyright, patent and trademark laws, and various other intellectual property rights and unfair competition laws.

No part of this manual or the Content may be copied, reproduced, republished, uploaded, posted, publicly displayed, encoded, translated, transmitted or distributed in any way (including "mirroring") to anyone, any entity, any other computer, server, Web site or other medium for publication or distribution or for any commercial purpose, without Samsung's express prior written consent.

Samsung reserves the right, at its sole discretion, to change, modify, add or remove portions of any part of this manual at any time. It is your responsibility to check the manual periodically for changes. Your use of the manual will mean that you accept and agree to this disclaimer. If you do not agree with any part of this disclaimer, please stop using this manual immediately.