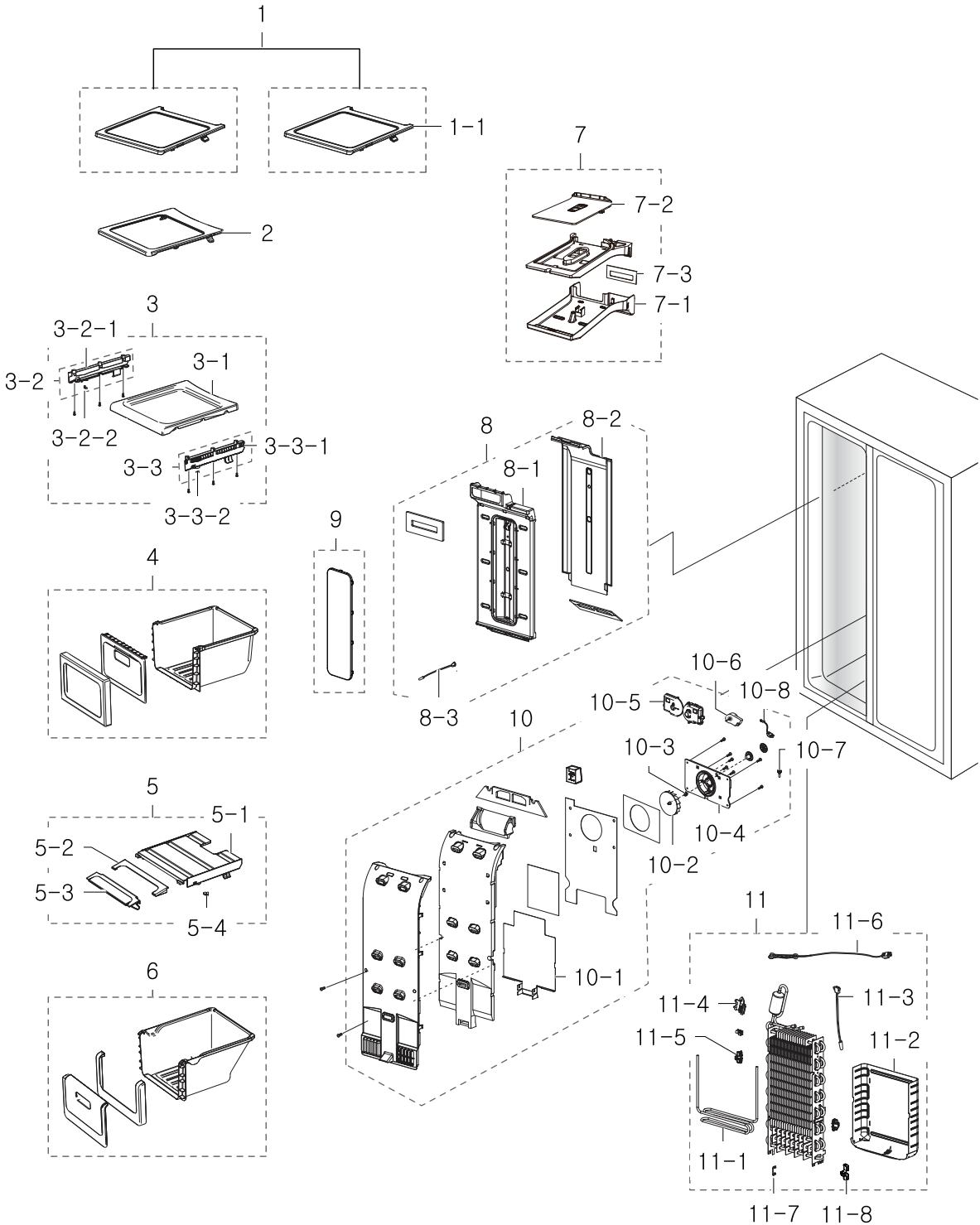


1. Freezer

Exploded View



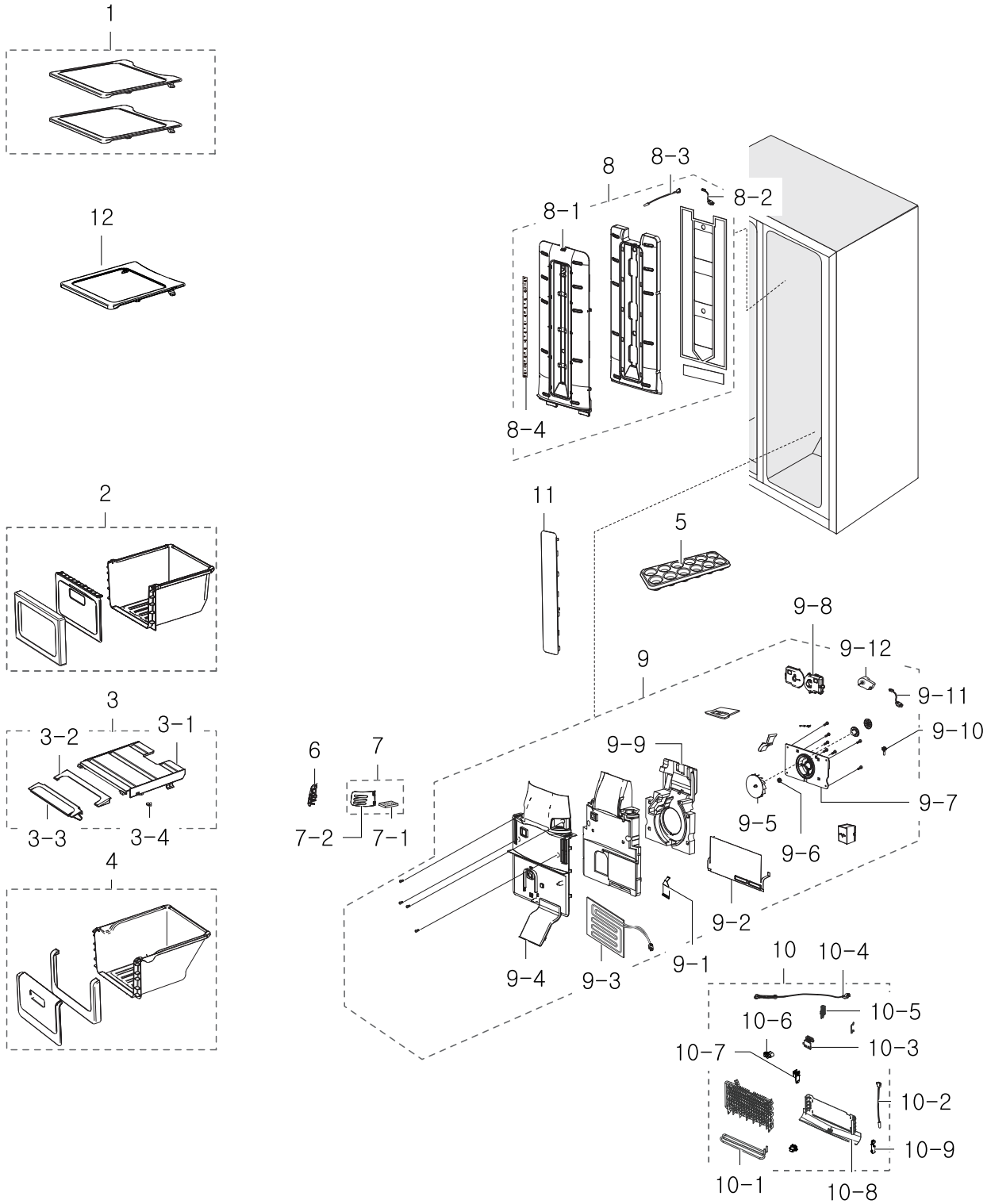
Parts List

No.	Lvl.	Loc.	Material Code	Description & Specification	SNA	Qty.
1	2		DA97-08274C	ASSY SHELF FRE-TOP; HM10,SOURCING GLASS	SA	2
1-1	3	RF297	DA67-02465A	SHELF FRE-TOP; HM10,HIPS,306.6,349.8,COOL	SA	2
2	2	RE064	DA97-08044D	ASSY SHELF FRE-MID; HERMES,HIPS,TEMPERED	SA	1
3	2	RF022	DA97-06927A	ASSY-SHELF FRE LOW; HERMES-PJT,-,-,-	SA	1
3-1	3	RF360	DA67-02110A	SHELF-FRE LOW; HERMES-PJT,HIPS,-,-,-,COOL	SA	1
3-2	3	RR838	DA97-05233B	ASSY RAIL-BOX L; HERMES-PJT,T2.0,W17,L260	SA	1
3-2-1	4	RK458	DA61-03413B	RAIL-BOX L; HERMES-PJT,TALC PP,-,-,-,NATU	SA	1
3-2-2	4	RK243	DA63-00202C	GROMMET-RAIL; TD-PJT,NY-66,W10.7,COOL WHI	SA	1
3-3	3	RR840	DA97-05234B	ASSY RAIL-BOX R; HERMES-PJT,T2.0,W17,L260	SA	1
3-3-1	4	RK460	DA61-03412B	RAIL-BOX R; HERMES-PJT,TALC PP,-,-,-,NATU	SA	1
3-3-2	4	RK243	DA63-00202C	GROMMET-RAIL; TD-PJT,NY-66,W10.7,COOL WHI	SA	1
4	2	RI248	DA97-05047B	ASSY-CASE BASKET HIGH; HERMES,GPPS+HIPS,-	SA	1
5	2	RI249	DA97-05049C	ASSY-COVER SLIDE BASKET; HERMES,ABS+HIPS,	SA	1
5-1	3	RF450	DA63-03569A	COVER-BASKET LOW; HERMES,ABS,-,-,-,-,TR	SA	1
5-2	3	RF057	DA63-03570A	COVER-SLIDE BASKET A; HERMES,HIPS,-,-,-,-	SA	1
5-3	3	RF058	DA63-03571A	COVER-SLIDE BASKET B; HERMES,ABS,-,-,-,-	SA	1
5-4	3	RK243	DA63-00202C	GROMMET-RAIL; TD-PJT,NY-66,W10.7,COOL WHI	SA	2
6	2	RI170	DA97-05046B	ASSY-CASE BASKET LOW; HERMES,GPPS+HIPS,-	SA	1
7	2	RI027	DA97-08256B	ASSY COVER-ICE DUCT FRE; HM10,IN_DOOR,PP,	SA	1
7-1	3	RG179	DA63-05296A	COVER-ICE DUCT FRE; HM10,PP,COOL-WHITE(SC	SA	1
7-2	3	RU288	DA61-05712B	PLATE-ICE DUCT FRE; HM10,HIPS,COOL-WHITE(SA	1
7-3	3	RK732	DA32-10105U	SENSOR TEMP; 502AT,A-TOP,-50~50,5V,-,-,RO	SA	1
8	2	RD289	DA97-08258C	ASSY COVER-MULT FRE; HM10,IN_DOOR,LED,PP,	SA	1
8-1	3	RD291	DA63-05294A	COVER-MULT FRE; HM10,PP,COOL-WHITE(SC-027	SNA	1
8-2	3	RD290	DA61-05713B	PLATE-INS MULT FRE; HM10,HIPS,NTR	SA	1
8-3	3	RR867	DA96-00424F	ASSY W/HARNESS-LED LAMP; ALL,12VDC,UL,IEC	SA	1

No.	Lvl.	Loc.	Material Code	Description & Specification	SNA	Qty.
9	2	RF396	DA63-05297A	COVER-LAMP FRE; HM10,LED,PP,NATURAL,BJ730	SA	1
10	2	RF005	DA97-05052P	ASSY-COVER EVAP FRE; HERMES10	SA	1
10-1	3	RF168	DA61-05991C	PLATE-EVAP HEATER FRE; HERMES,GL-SAZCC,T0	SA	1
10-2	3	RK182	DA31-00053A	FAN-BACKWARD; -,A-TOP,ABS,-,FRE	SA	1
10-3	3	RR053	DA61-20128A	SPRING ETC-FAN; STS304,PI8.8,ID7.8,OD9.8,	SA	1
10-4	3	RY172	DA61-00417A	CASE MOTOR; A-TOP,ABS,-,-,-,NTR,SBS	SA	1
10-5	3	RF455	DA63-01809B	COVER MOTOR-BLDC; AT,PP,NTR,CNTK-P-100,PP	SA	1
10-6	3	RF431	DA31-00146E	MOTOR FAN-BLDC; DREP5020LB,0.267,3.2,2520	SA	1
10-7	3	RR066	DA63-40167A	GROMMET-COVER CHIL; SILICON,L16,WHITE	SA	1
10-8	3	RY711	DA39-00060B	WIRE HARNESS-MOTOR; 35151-0410,HM9410001,	SC	1
11	2	RF011	DA96-00675N	ASSY EVAP-FRE; HERMES,FIN PIPE,A1070S-H14	SA	1
11-1	3		DA47-00320L	HEATER-SHEATH-METAL FRE; HM10,INCOLOY840,	SA	1
11-2	3	RF169	DA61-05989B	PLATE-DRAIN EVAP FRE; HERMES,GL-SAZCC,T0.	SA	1
11-3	3	RR336	DA32-00029N	SENSOR TEMP; DTN-C502G6X,NEXT-PJT,40~110	SA	1
11-4	3	RK215	DA61-00603A	FIXER-SENSOR; n-PJT,PP,-,-,-	SA	1
11-5	3	RF217	DA61-05160A	FIXER-FUSE; CULLI_09,PP,NATURAL,BJ750	SA	1
11-6	3	RR342	DA47-00301F	THERMO FUSE-ASSY; TWIN,250V,10A,109~110	SA	1
11-7	3	RR006	DA61-06013A	FIXER-WIRE; AW3-PJT,PP,NTR	SC	2
11-8	3	RU374	DA61-06691A	FIXER-WIRE FRE SUB; HM/GGH/HAEMIL,PP,NTR,	SA	1

2. Fridge

Exploded View



Parts List

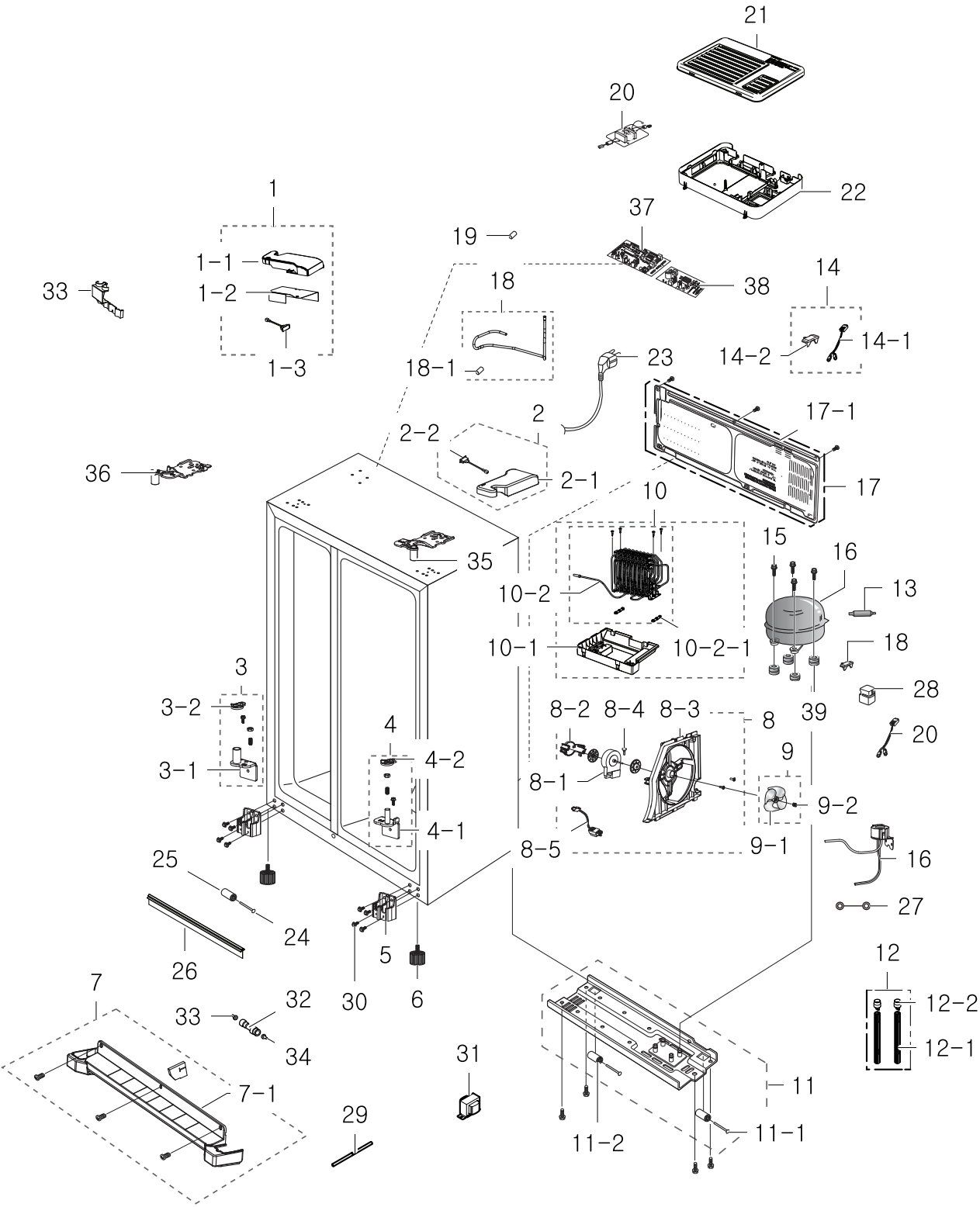
No.	Lvl.	Loc.	Material Code	Description & Specification	SNA	Qty.
1	2	RI672	DA67-01694A	SHELF REF-TOP; HERMES-PJT,PP+GLASS,T2.0,	SA	3
2	2	RI087	DA97-05045B	ASSY-CASE VEG HIGH; HERMES,GPPS+HIPS,-,-	SA	1
3	2	RG143	DA97-05048D	ASSY-COVER SLIDE VEG; HERMES,ABS+HIPS,WRA	SA	1
3-1	3	RI009	DA63-03566A	COVER VEG-LOW; HERMES,ABS,-,-,-,-,TRP,-	SA	1
3-2	3	RI108	DA63-03567A	COVER-SLIDE VEG A; HERMES,HIPS,-,-,-,-,-	SA	1
3-3	3	RI109	DA63-03568A	COVER-SLIDE VEG B; HERMES,ABS,-,-,-,-,-,T	SA	1
3-4	3	RK243	DA63-00202C	GROMMET-RAIL; TD-PJT,NY-66,W10.7,COOL WHI	SA	2
4	2	RI001	DA97-05044B	ASSY-CASE VEG LOW; HERMES,GPPS+HIPS,-,-	SA	1
5	2	RE355	DA67-40322A	TRAY-EGG; SR-51.55.59,GPPS,-,-,-,-,-	SA	1
6	2	RG130	DA63-03605A	COVER-DEODORIZER L; HERMES,PP,-,-,-,-,-,C	SA	1
7	2	RI273	DA97-05065B	ASSY-COVER DEODORIZER R; HM10 SEPM	SA	1
7-1	3	RG022	DA02-90106R	CATALYST-LTC; ALL,T5,W40,L40	SA	1
7-2	3	RG131	DA63-03606A	COVER-DEODORIZER R; HERMES,PP,-,-,-,-,-,C	SA	1
8	2	RI019	DA97-08257F	ASSY COVER-MULTI REF; HM10,IN_DOOR,LED,PP	SA	1
8-1	3	RI528	DA63-05295A	COVER-MULT REF; HM10,PP,COOL-WHITE(SC-027	SA	1
8-2	3	RR867	DA96-00424F	ASSY W/HARNESS-LED LAMP; ALL,12VDC,UL,IEC	SA	1
8-3	3	RR867	DA96-00424F	ASSY W/HARNESS-LED LAMP; ALL,12VDC,UL,IEC	SA	1
8-4	3		DA41-00519Y	PBA COSMO-LED LAMP; SSEDA,FR-4,490*20,9 E	SA	1
9	2	RI008	DA97-08285N	ASSY COVER-EVAP REF; HM10,BASIC,LED,230V	SA	1
9-1	3	RI271	DA61-06244A	PLATE-DRAIN INS EVAP REF; HERMES,A1100,T0	SA	1
9-2	3	RI529	DA61-05993B	PLATE-EVAP HEATER REF; HERMES,AL,T0.3	SA	1
9-3	3	RI045	DA47-00258A	HEATER-WATER TANK; -,HERMES,-,5W,-,230V,-	SA	1
9-4	3	RI616	DA63-03594A	COVER EVAP-REF; HERMES,PP,-,-,-,-,-,COOL	SNA	1
9-5	3	RK183	DA31-00123A	FAN-BACKWARD; USP 05,ABS,HP0760/2.0mmAq/0	SC	1
9-6	3	RR053	DA61-20128A	SPRING ETC-FAN; STS304,PI8.8,ID7.8,OD9.8,	SA	1
9-7	3	RF121	DA61-05286B	CASE-MOTOR REF; HERMES,HIPS,COOL WHITE	SA	1
9-8	3	RF455	DA63-01809B	COVER MOTOR-BLDC; AT,PP,NTR,CNTK-P-100,PP	SA	1

Exploded Views and Parts List

No.	Lvl.	Loc.	Material Code	Description & Specification	SNA	Qty.
9-9	3	RI521	DA61-05285B	GUIDE-AIR REF; HERMES09,HIPS,COOL WHITE	SA	1
9-10	3	RR066	DA63-40167A	GROMMET-COVER CHIL; SILICON,L16,WHITE	SA	1
9-11	3	RY711	DA39-00060B	WIRE HARNESS-MOTOR; 35151-0410,HM9410001,	SC	1
9-12	3	RF431	DA31-00146E	MOTOR FAN-BLDC; DREP5020LB,0.267,3.2,2520	SA	1
10	2	RI016	DA96-00676K	ASSY EVAP-REF; HERMES,FIN PIPE,A1070S-H14	SA	1
10-1	3		DA47-00321L	HEATER-METAL SHEATH; HM10-PJT,NCOLOY840,1	SA	1
10-2	3	RK704	DA32-00029R	SENSOR TEMP; DTN-C502G6X,SSEDA-PJT,40~110	SA	1
10-3	3	RK213	DA61-03683A	FIXER-SENSOR; AW-PJT,PP,-,NTR,FH-44N	SA	1
10-4	3	RR341	DA47-00301B	THERMO FUSE-ASSY; HERMES,250V,10A,109~110	SA	1
10-5	3	RF217	DA61-05160A	FIXER-FUSE; CULLI_09,PP,NATURAL,BJ750	SA	1
10-6	3	RR006	DA61-06013A	FIXER-WIRE; AW3-PJT,PP,NTR	SC	2
10-7	3	RC049	DA61-06062A	PLATE-EVAP BRACKET REF; HERMES/GUGGENHEIM	SA	1
10-8	3	RF385	DA61-05702B	PLATE-DRAIN EVAP REF; HERMES, GUGGENHEIM,	SA	1
10-9	3	RU375	DA61-06700A	FIXER-HEATER WIRE REF; HM/GGH/HAEMIL,PP,N	SA	2
11	2	RG028	DA63-05298A	COVER-LAMP REF; HM10,LED,PP,NTR	SA	1
12	2	RI664	DA67-02109A	SHELF REF-MID; HERMES-PJT,PP+GLASS,-,W443	SA	1

3. Cabinet Unit

Exploded View



Parts List

No.	Lvl.	Loc.	Material Code	Description & Specification	SNA	Qty.
1	2	RO044	DA97-06160C	ASSY COVER HINGE-UPP L; GUGGENHEIM(EXP),-	SA	1
1-1	3	RK129	DA63-04181C	COVER HINGE-UPP L; GUGGENHEIM(EXP),N-ABS,	SA	1
1-2	3	RO250	DA61-04527A	PLATE-COVER HINGE; GGH-PJT,SBHG1,T0.4,91.	SA	1
1-3	3	RY459	DA34-00043C	SWITCH REED-ASS'Y; 200VDC,1.5A,-	SA	1
2	2	RO045	DA97-06159C	ASSY COVER HINGE-UPP R; GUGGENHEIM(EXP),T	SA	1
2-1	3	RO455	DA63-04180C	COVER HINGE-UPP R; GUGGENHEIM(EXP),ABS,T2	SA	1
2-2	3	RY459	DA34-00043C	SWITCH REED-ASS'Y; 200VDC,1.5A,-	SA	1
3	2	RO037	DA97-06158B	ASSY HINGE LOW-L; GUGGENHEIM,BLK	SA	1
3-1	3	RO434	DA61-04191A	HINGE-LOW L; GUGGENHEIM,SHP1,T4.5,-,-,-,-	SA	1
3-2	3	RD200	DA66-00560B	CAM HINGE-RISER LOW L; GUGGENHEIM,NY-66,B	SA	1
4	2	RO038	DA97-06157B	ASSY HINGE LOW-R; GUGGENHEIM,BLK	SA	1
4-1	3	RO436	DA61-04190A	HINGE-LOW R; GUGGENHEIM,SHP1,T4.5,-,-,-,-	SA	1
4-2	3	RD201	DA66-00559A	CAM HINGE-RISER LOW R; GUGGENHEIM,NY-66,-	SA	1
5	2	RO500	DA61-06104B	BRACKET HINGE-LOW; HM10,AL,43.5,55.4	SA	2
6	3	RO100	DA61-00805F	FOOT-FRONT; REF-ALL,PP+MSWR10,BLACK,PP_S	SA	2
7	2	RO003	DA97-08351A	ASSY COVER LEG-FRONT; HM10,89.3,910.9	SA	1
7-1	3	RO287	DA63-05292A	COVER LEG-FRONT; HM10,PP,STS-KP,BJ730,NTR	SA	1
8	2	RO132	DA97-03870B	ASSY SUPPORT-CIRCUIT MOTOR; ET/ATOP_VE,-,	SA	1
8-1	3	RR088	DA31-00146B	MOTOR BLDC; DRCP5030LA,1550,DC12V,230mA,-	SC	1
8-2	3	RH039	DA61-02355B	BRACKET-CIRCUIT MOTOR; ABS,NEXT,-,-,-,NTR	SA	1
8-3	3	RF412	DA61-02788A	SUPPORT-CIRCUIT MOTOR; ET/A-TOP_VE,ABS,T2	SA	1
8-4	3	RR066	DA63-40167A	GROMMET-COVER CHIL; SILICON,L16,WHITE	SA	1
8-5	3	RR925	DA96-00042A	ASSY W/HARNESS-MOTOR; A-TOP UL(MOTOR),C-F	SA	1
9	2	RK180	DA31-00010F	FAN-ASS'Y; SBS,ABS+GF,3-Wings,GR-0410	SA	1
9-1	3	RR029	DA31-00015C	FAN-TURBO; ET-PJT,ABS+GF,GR-4010	SA	1
9-2	3	RK792	DA61-03139A	SPRING ETC-FAN; -,STS304,CD1.0,-,-,L3.0,3	SA	1
10	2	RH003	DA97-03869G	ASSY TRAY-DRAIN WATER; HERMES-PJT,W242.3,	SA	1

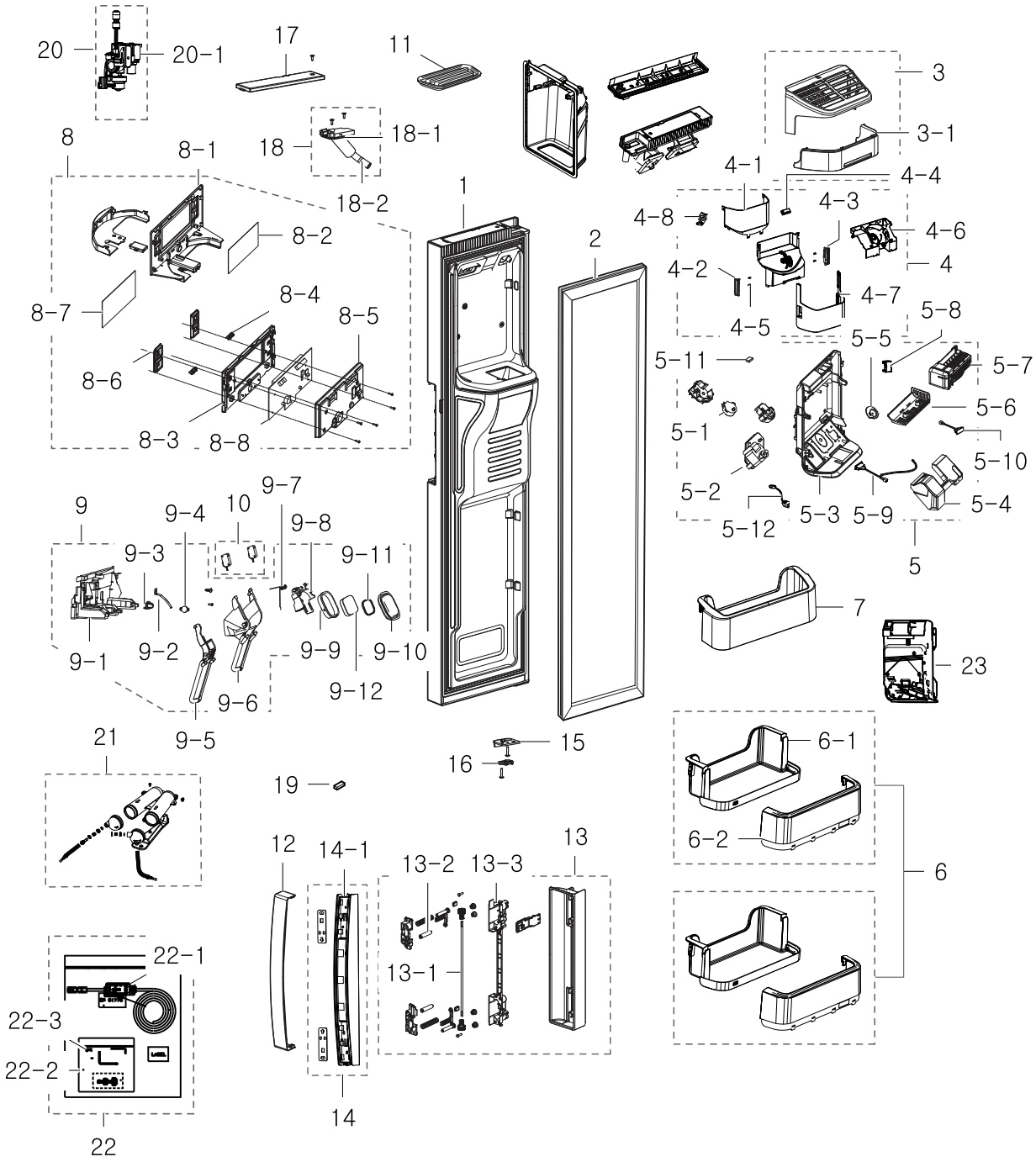
No.	Lvl.	Loc.	Material Code	Description & Specification	SNA	Qty.
10-1	3	RH885	DA63-03069B	TRAY DRAIN-WATER; HERMES-PJT,PP SCRAP,-,W	SA	1
10-2	3	RW002	DA97-03962E	ASSY PIPE-SPIRAL COND; HERMES-PJT,VE	SA	1
10-2-1	4	RH022	DA63-40128A	GROMMET-SUB COND; -,NBR,-,-,-,-,-,DARK-	SA	2
11	2	RO002	DA97-03971E	ASSY CHASSIS-COMP; HERMES,-,-,W255.5,L895	SA	1
11-1	3	RH012	DA61-01920A	CASTER-RIVET; (ZPC2),MSWR10,OD8.0,L58	SA	1
11-2	3	RR242	DA61-04703A	CASTER-REAR; AW-PJT,PP,-,35,NTR,35,PP+TPE	SA	2
12	2	RR856	DA97-04045A	ASSY TUBE-DRAIN; ET-PJT,SOFT-PVC	SA	2
12-1	3	RK901	DA62-01268A	TUBE-PVC; A-TOP,SF-PVC,T0.7,OD19.4,L215,-	SA	2
12-2	3	RO162	DA63-00951C	GROMMET-DRAIN HOSE; V2-PJT,NBR,BLACK	SA	2
13	2	RC050	DA62-02614N	DRYER-SINGLE; HAEMIL_10,C1220T,OD18.7,L11	SC	1
14	2	RH070	DA97-10848B	ASSY COMP-SUB; MASSIMO GLOBAL(R),4TM308RF	SA	1
14-1	3	RH741	DA39-00154C	WIRE HARNESS-COMP; 35151-061*,2005820-1,F	SC	1
14-2	3	RO354	DA34-00004B	RELAY PROTECTOR O/L; BK190GL2C,S/T_11.4A,	SA	1
15	2	RH732	DA63-02617A	GROMMET COMP; USP05,EPDM,OD27.0,BLACK	SA	4
16	2	RF113	DA97-07070B	ASSY MOTOR-STEP VALVE; JM-PJT,-	SA	1
17	2	RH001	DA97-05202H	ASSY COVER-COMP; HERMES,SBHG1,T0.3,SEAL C	SA	1
17-1	3	RH072	DA63-03656A	COVER-COMP; HERMES-PJT,SBHG1,T0.3,W814,H2	SA	1
18	2	RO550	DA97-12874A	ASSY PIPE-CONNECT; HERMES PJT	SA	1
18-1	3	RX042	DA63-40171D	GROMMET-SUCT PIPE B; RAIL L20,NR,ID5.5,OD	SA	1
19	2	RX042	DA63-40171D	GROMMET-SUCT PIPE B; RAIL L20,NR,ID5.5,OD	SA	1
20	2	RH083	DA27-00019H	COIL FILTER-EMI; AW3-PJT,20mH,82*60,-25 ~	SA	1
21	2	RO286	DA63-05419A	COVER PCB-PANEL; HAEMIL_CULLI,GI-SGCC,T0.	SA	1
22	2	RO285	DA61-04970E	CASE PCB-PANEL; HIPS,NTR	SA	1
23	2	RK076	DA39-10115D	CBF-POWER CORD; UCP-2,250V,10/16A,L2100,-	SA	1
24	3	RH012	DA61-01920A	CASTER-RIVET; (ZPC2),MSWR10,OD8.0,L58	SA	1
25	3	RO360	DA61-04702A	CASTER-FRONT; AW-PJT,PP,-,35,NTR,35,PP+TP	SA	1
26	3	RM102	DA64-02472A	TRIM-BLADE; HERMES-PJT,PVC,-,-,L375.2,NAT	SA	1
27	2	RE170	DA96-00143B	ASSY EARTH; ATOP06,100~240V	SA	1

Exploded Views and Parts List

No.	Lvl.	Loc.	Material Code	Description & Specification	SNA	Qty.
28	2	RH015	DA63-01866A	COVER RELAY; NORYL,T2.0,SSEC,BLACK,HOOK	SA	1
29	2	RH026	DA73-10190U	PIPE-CONNECT DISC,B; TD-PJT,C1220-T,OD6.3	SA	1
30	2	RR963	6011-001656	BOLT-HEX; HWH,M6,L16,ZPC(WHT),SWCH22,MACH	SA	6
31	2	RH069	DA27-00004D	COIL FILTER; REACTOR,7.5MH,-,169,65.5*45*	SA	1
32	2	RY761	DA60-00258B	FITTING-TUBE; TUBE FITTING A,PP,31.8,1/4'	SA	1
33	2	RM019	DA71-20207A	FIXER-VALVE WATER A; SR-S7180,NY-6,OD7.4	SA	2
34	2	RM020	DA71-20208A	FIXER-VALVE WATER B; SR-S7180,NY-6,OD6.1,	SA	2
35	2	RO128	DA61-04189B	HINGE-UPP R; GUGGENHEIM(EXP),SHP1,T3.0,-,	SA	1
36	2	RO129	DA61-04188B	HINGE-UPP L; GUGGENHEIM(EXP),SHP1,T3.0,-,	SA	1
37	1	RY475	DA92-00241B	ASSY PCB MAIN; 13V, 5V,LED DISPLAY,HERMES	SA	1
38	1	RO326	DA92-00215A	ASSY PCB SUB INVERTER; 15,5V,Heamil 11,ES	SA	1
39	2	RH732	DA63-02617A	GROMMET COMP; USP05,EPDM,OD27.0,BLACK	SA	4

4. Freezer Door

Exploded View



Parts List

No.	Lvl.	Loc.	Material Code	Description & Specification	SNA	Qty.
1	2	RD001	DA91-03772Q	ASSY DOOR-FOAM FRE; HM10,75mm,PLATINUM IN	SA	1
2	2	RU513	DA97-04567C	ASSY-GASKET DOOR FRE; HM10 SEPM,GRADY(SC-	SA	1
3	2	RM003	DA97-08276C	ASSY COVER-ICE MAKER; HM10,135.6,299.4,CO	SA	1
3-1	3	RM068	DA63-05291A	COVER-ICE MAKER B; HM10,SAN,124.3,293.9,N	SA	1
4	2		DA97-06569N	ASSY CASE-ICE BUCKET; HM,BLADE(2-WAY),IN	SA	1
4-1	3	RM050	DA64-02587A	WINDOW-BUCKET; GUGGENHEIM,PETG,T90G,NATUR	SA	1
4-2	3	RM051	DA66-00587A	LEVER-BUCKET L; GUGGENHEIM,ABS,29.8,76.7,	SC	1
4-3	3	RM052	DA66-00588A	LEVER-BUCKET R; GUGGENHEIM,ABS,29.8,76.7,	SA	1
4-4	3	RY482	DA61-02738A	MAGNET-ASS'Y; CORE-PJT,Strontium ferrite,	SA	1
4-5	3	RM049	DA61-04378A	SPRING ETC-BUCKET LEVER; GUGGENHEIM,STS30	SA	4
4-6	3		DA63-04354C	COVER-CRUSHER BUCKET; GUGGENHEIM,ABS,HB,N	SA	1
4-7	3	RI381	DA63-04359C	TRAY ICE-BUCKET FRONT; HM10,ABS,COOL WHIT	SA	1
4-8	3	RF104	DA65-00051A	CLAMPER CORE-HELIX; GUGGENHEIM,STS304,-,-	SNA	1
5	2	RF416	DA97-11095D	ASSY CASE-AUGER MOTOR; GGH,230V 50Hz	SA	1
5-1	3	RF261	DA31-00079A	MOTOR GEARED-DISP; 15.2/18.2 rpm,50/60Hz,	SA	1
5-2	3	RF434	DA31-00210E	MOTOR GEARED-AUGER; ISG-3245SSB,150kgf.cm	SA	1
5-3	3	RF417	DA61-04363B	CASE-AUGER MOTOR; HM10,GGH,ABS,COOL WHITE	SC	1
5-4	3	RF251	DA63-04362B	COVER-MOTOR AUGER SUB; GUGGENHEIM,HIPS,NT	SA	1
5-5	3	RF185	DA66-00589A	CAM-LEVER CUBE; GUGGENHEIM,POM,T17.9,55	SA	1
5-6	4	RI379	DA63-04355A	COVER-HEATER ICE MAKER; GUGGENHEIM,ABS,47	SA	1
5-7	3	RM061	DA97-11092A	ASSY ICE MAKER; GGH-PJT,220~240V,50Hz	SA	1
5-8	3	RM080	DA63-05515A	COVER-MOTOR AUGER COIL; GGH,ABS,NTR	SA	1
5-9	3	RY001	DA97-00151B	SWITCH REED; UL1007 AWG#22,100,Molex 2P,2	SA	1
5-10	3	RY459	DA34-00043C	SWITCH REED-ASS'Y; 200VDC,1.5A,-	SA	1
5-11	3		DA33-10011A	MAGNET; SSM-390,T2,W5,L7,-,	SA	1
5-12	3		DA96-00036P	ASSY-WIRE HARNESS SUB; GUGGENHIEM-PJT,100	SA	1

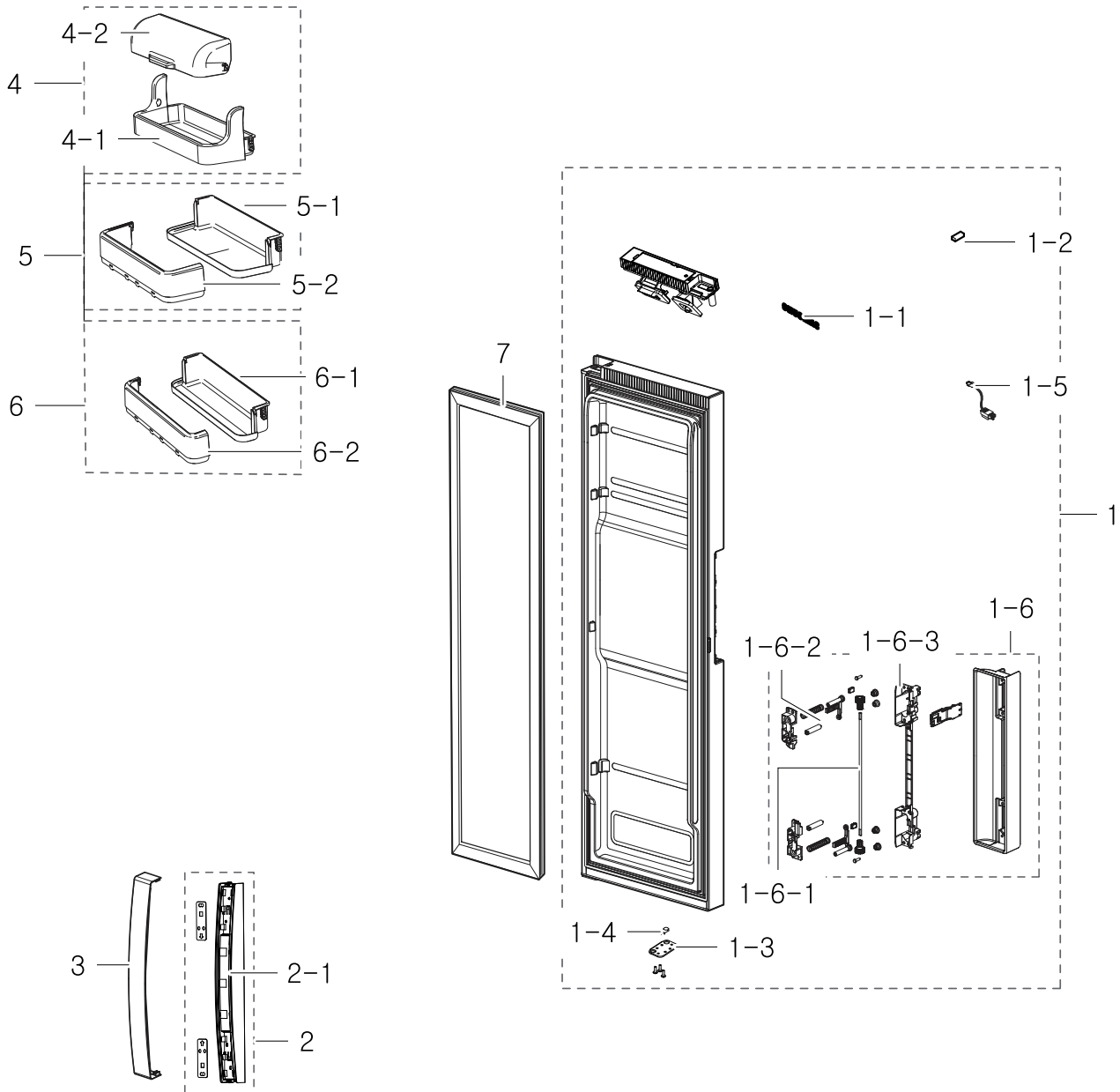
No.	Lvl.	Loc.	Material Code	Description & Specification	SNA	Qty.
6	2	RI141	DA97-08271D	ASSY GUARD-FRE LOW; HM10,INDOOR, 75MM	SA	2
6-1	3		DA63-05288B	GUARD-FRE LOW; HM10,HIPS,COOL WHITE(SC-03	SA	2
6-2	3	RD147	DA63-05385A	COVER-GUARD FRE LOW; HM10,GPPS,TRANSPAREN	SA	2
7	2	RD351	DA63-05013B	GUARD FRE-UPP; HM10,HIPS,2-STAR	SA	1
8	2	RD026	DA97-08015U	ASSY COVER-DISPENSER; HM10,VERSAILLES STS	SA	1
8-1	3	RR163	DA63-05054C	COVER-DISPENSER; HM09,ABS,VERSAILLES STS,	SA	1
8-2	3	RD052	DA63-05063D	COVER-CONTROL WINDOW FRE; HM09,ACRYL,BLAC	SA	1
8-3	3	RD285	DA63-05057B	COVER-DISPENSER SUB; HM10,HIPS,NTR	SA	1
8-4	3	RD236	DA63-05059A	GROMMET-BUTTON; HM09,SILICON,BLACK	SA	2
8-5	3	RY208	DA41-00643B	ASSY PCB KIT LED; '09 HM-PJT INDOOR,F-DOO	SA	1
8-6	3	RD286	DA64-02983A	DECORATION-BUTTON CONTROL; HM09,ABS,NTR,P	SA	2
8-7	3	RD475	DA64-03334B	INLAY-DISPLAY; HM10-PJT,PET,T0.5,W134,L63	SA	1
8-8	3	RD245	DA63-05058B	COVER-PBA PANEL DISPENSER; HM10,HIPS,NTR	SA	1
9	2	RD463	DA97-07774A	ASSY COVER-PCB PANEL REAR; HM09,ASSY,SAN(SA	1
9-1	3	RO464	DA63-03259C	COVER PCB-PANEL REAR; A-TOP 06,ABS(HG-076	SA	1
9-2	3	RD446	DA61-01616A	SPRING ETC-LEVER DISP WATER; AD,STS304,-,	SA	1
9-3	3	RD448	DA61-01868B	BRACKET-OIL DAMPER; ABS,AD,-,-,-,NTR,-	SA	1
9-4	3	RO353	DA61-01869A	OIL DAMPER; AD,PC+POM,120g/Cm,OD15	SA	1
9-5	3	RD284	DA66-00685A	LEVER-DISPENSER WATER; HM09,SAN,NTR	SA	1
9-6	3	RD283	DA66-00684A	LEVER-DISPENSER ICE; HM09,SAN,NTR	SA	1
9-7	3	RD050	DA61-01651A	SPRING ETC-COVER ICE ROUTE; AD,STS304,1.0	SA	1
9-8	3	RD359	DA63-01970A	COVER-ICE ROUTE A; AD,ABS,T2.5,-,-,-,BL	SA	1
9-9	3	RD461	DA63-01971B	COVER-ICE ROUTE B; AD,ABS,-,-,-,-,NATUR	SA	1
9-10	3	RD051	DA63-01972A	GASKET-COVER ICE ROUTE; AD,SILICON,T1.5,-	SA	1
9-11	3	RK679	DA62-00058F	SEAL-COVER ICE,ROUTE; AD,FOAM-LEX,WHITE,T	SA	1
9-12	3	RK678	DA62-00058E	SEAL-COVER ICE,ROUTE; AD,FOAM-LEX,WHITE,T	SA	1
10	2	RD460	DA34-00011B	SWITCH MICRO; 250V,16A,Max 200g	SA	2
11	2	RO489	DA63-03580X	TRAY DISPENSER; HERMES,ABS,T2.5,DISP,SC-0	SA	1

Exploded Views and Parts List

No.	Lvl.	Loc.	Material Code	Description & Specification	SNA	Qty.
12	2	RE102	DA64-03166C	TRIM-HANDLE; HM10,A6063,VERSAILLES STS(SC	SA	1
13	4	RD288	DA97-08290M	ASSY CASE-HANDLE FRONT; HM10,VERSAILLES S	SA	1
13-1	5	RD282	DA66-00713B	SHAFT-GEAR EASY; HM10,MSWR10,257,4.5	SA	1
13-2	5	RD211	DA66-00726B	SHAFT-HANDLE; HM10,SUM22,OD9	SA	2
13-3	5	RE283	DA64-03164A	HANDLE BASE-EASY; HM10,ABS,27.9,336.1,NOB	SA	1
14	2	RO222	DA97-08521A	ASSY HANDLE-FRONT; HM10,EASY-HANDLE	SA	1
14-1	3	RD287	DA64-03163A	HANDLE-FRONT EASY; HM10,ABS,40.3,352,NOBL	SA	1
15	5	RD070	DA61-04195A	STOPPER-DOOR L; GUGGENHEIM,SHP1,T3.0,-,-,	SA	1
16	5	RD202	DA66-00558B	CAM HINGE-RISER UPP L; POLARIS,NY-66,BLAC	SA	1
17	5	RO231	DA63-04341G	COVER-CAP DOOR FRE; GUGGENHEIM,HIPS,W61.3	SA	1
18	5	RO131	DA97-06542A	ASSY PIPE-WATER ICE; GUGGENHEIM(EXP),230V	SA	1
18-1	6	RY760	DA62-01368F	PIPE-WATER LINE; PERT,4.2,6.35,1000,ORANG	SA	2
18-2	6	RM020	DA71-20208A	FIXER-VALVE WATER B; SR-S7180,NY-6,OD6.1,	SA	1
19	5	RY479	DA61-03769A	MAGNET-A; HERMES,-,5x7x18,-,-,1200Gauss	SA	1
20	2	RO089	DA97-07827J	ASSY VALVE WATER; HM10,NO FLOW SENSOR, 22	SA	1
20-1	3	RO521	DA62-02291E	VALVE WATER; HM10-INDOOR,SCP1,1.0~8.0K,GR	SC	1
21	2	RI043	DA97-08536A	ASSY TANK WATER; HM10,ASSY,NTR	SC	1
22	2	RI069	DA97-11752D	ASSY-INSTALL FILTER; HM10	SA	1
22-1	3	RR094	DA61-04522A	CLIP-FITTING LOCK; AW,POM,-,-,1/4inch	SA	4
22-2	3	RC001	DA62-01329A	PIPE-CONNECT WATER PACKING; ET-PJT,BRASS,	SA	1
22-3	3	RH710	DA65-20110B	CLAMP; -,NY-66,-,-,-,DN-5N,PI8.0	SA	8
23	2	RF416	DA97-11095D	ASSY CASE-AUGER MOTOR; GGH,230V 50Hz	SA	1

5. Fridge Door

Exploded View



Parts List

No.	Lvl.	Loc.	Material Code	Description & Specification	SNA	Qty.
1	2	RE001	DA91-02989K	ASSY DOOR FOAM REF; HM10,75MM,BASIC,230V,	SA	1
1-1	2	RO716	DA64-04021B	MASCOT; ALL,NI,T0.05,L90	SA	1
1-2	5	RY479	DA61-03769A	MAGNET-A; HERMES,-,5x7x18,-,-,1200Gauss	SA	1
1-3	5	RE439	DA61-04196A	STOPPER-DOOR R; GUGGENHEIM,SHP1,T3.0,-,-,	SA	1
1-4	5	RD203	DA66-00557A	CAM HINGE-RISER UPP R; GUGGENHEIM,NY-66,-	SA	1

Exploded Views and Parts List

No.	Lvl.	Loc.	Material Code	Description & Specification	SNA	Qty.
1-5	4	RE282	DA96-00427A	ASSY W/HARNESS-DOOR REF; Guggenheim,100~2	SNA	1
1-6	4	RD288	DA97-08290M	ASSY CASE-HANDLE FRONT; HM10,VERSAILLES S	SA	1
1-6-1	5	RD282	DA66-00713B	SHAFT-GEAR EASY; HM10,MSWR10,257,4.5	SA	1
1-6-2	5	RD211	DA66-00726B	SHAFT-HANDLE; HM10,SUM22,OD9	SA	2
1-6-3	5	RE283	DA64-03164A	HANDLE BASE-EASY; HM10,ABS,27.9,336.1,NOB	SA	1
2	2	RO222	DA97-08521A	ASSY HANDLE-FRONT; HM10,EASY-HANDLE	SA	1
2-1	3	RD287	DA64-03163A	HANDLE-FRONT EASY; HM10,ABS,40.3,352,NOBL	SA	1
3	2	RE102	DA64-03166C	TRIM-HANDLE; HM10,A6063,VERSAILLES STS(SC	SA	1
4	2	RE028	DA97-08267A	ASSY GUARD-DAIRY; HM10,INDOOR, 75MM	SA	1
4-1	3	RE390	DA63-05282A	GUARD-DAIRY; HM10,HIPS,COOL WHITE(SC-0308	SA	1
4-2	3	RE386	DA63-03645A	COVER-GUARD DAIRY; HERMES PJT,GPPS,T2.5,-	SA	1
5	2	RE362	DA97-08268F	ASSY GUARD-REF TOP; HM10,INDOOR, 75MM	SA	2
5-1	3	RE469	DA63-05283B	GUARD-REF TOP; HM10,HIPS,COOL WHITE(SC-03	SNA	2
5-2	3	RE472	DA63-05284A	COVER-GUARD REF TOP; HM10,GPPS,NTR,INDOOR	SA	2
6	2	RE362	DA97-08268F	ASSY GUARD-REF TOP; HM10,INDOOR, 75MM	SA	2
6-1	3	RE368	DA63-05286B	GUARD-REF LOW; HM10,HIPS,COOL WHITE(SC-03	SA	1
6-2	3	RE475	DA63-05287A	COVER-GUARD REF LOW; HM10,GPPS,NATURAL,HF	SA	1
7	2	RI161	DA97-08270D	ASSY GUARD-REF LOW; HM10,INDOOR, 75MM	SA	1