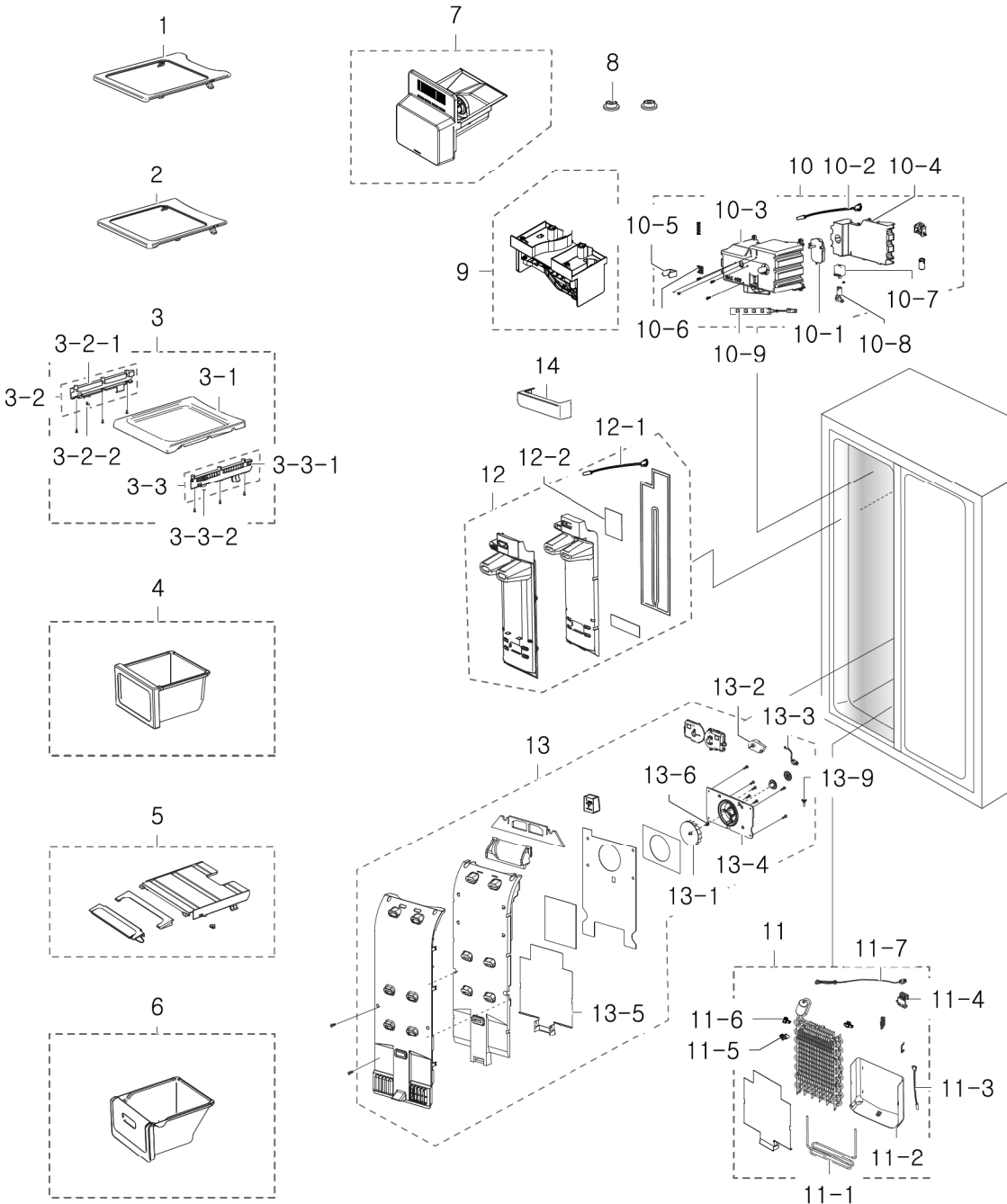


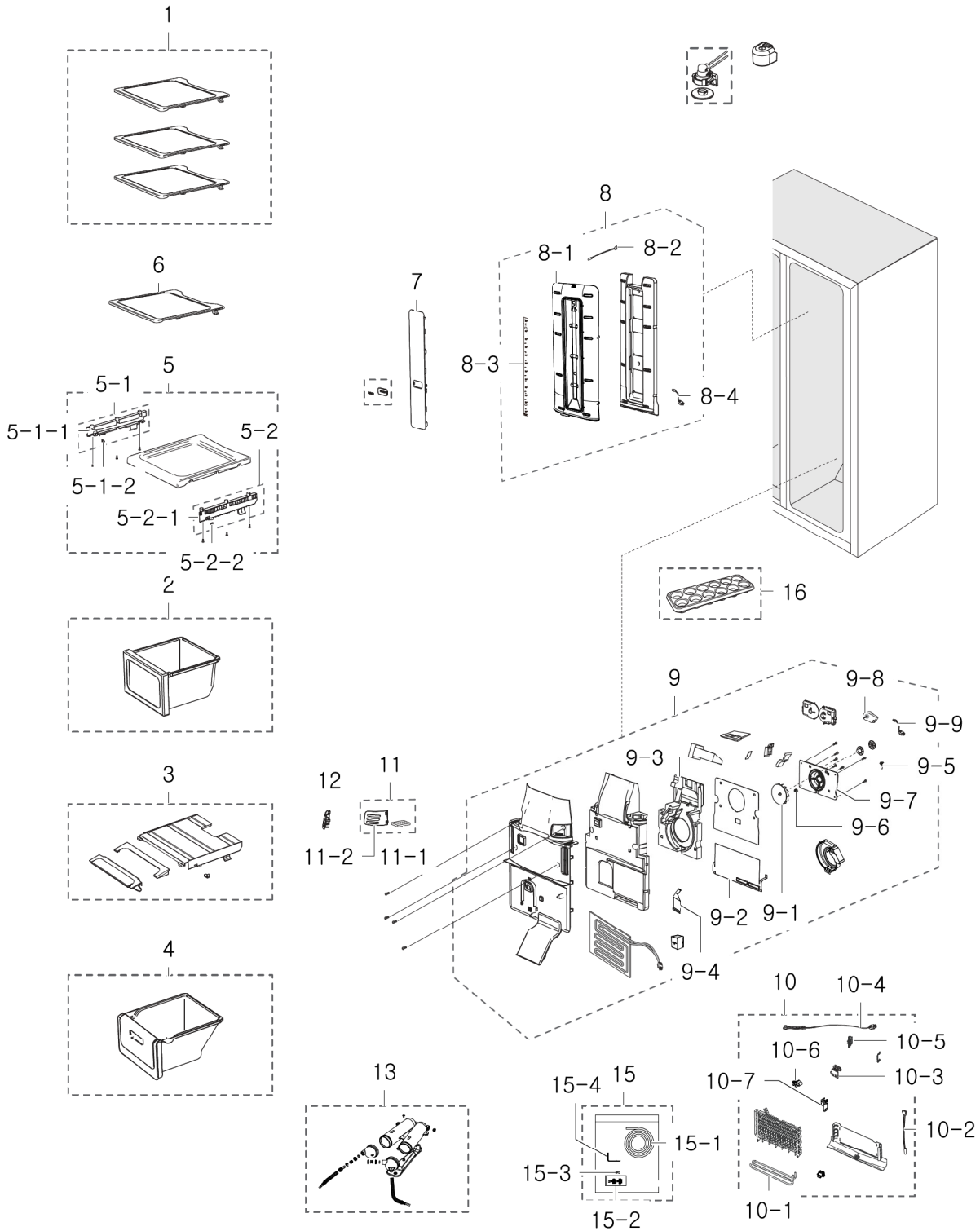
1. Freezer

Exploded View



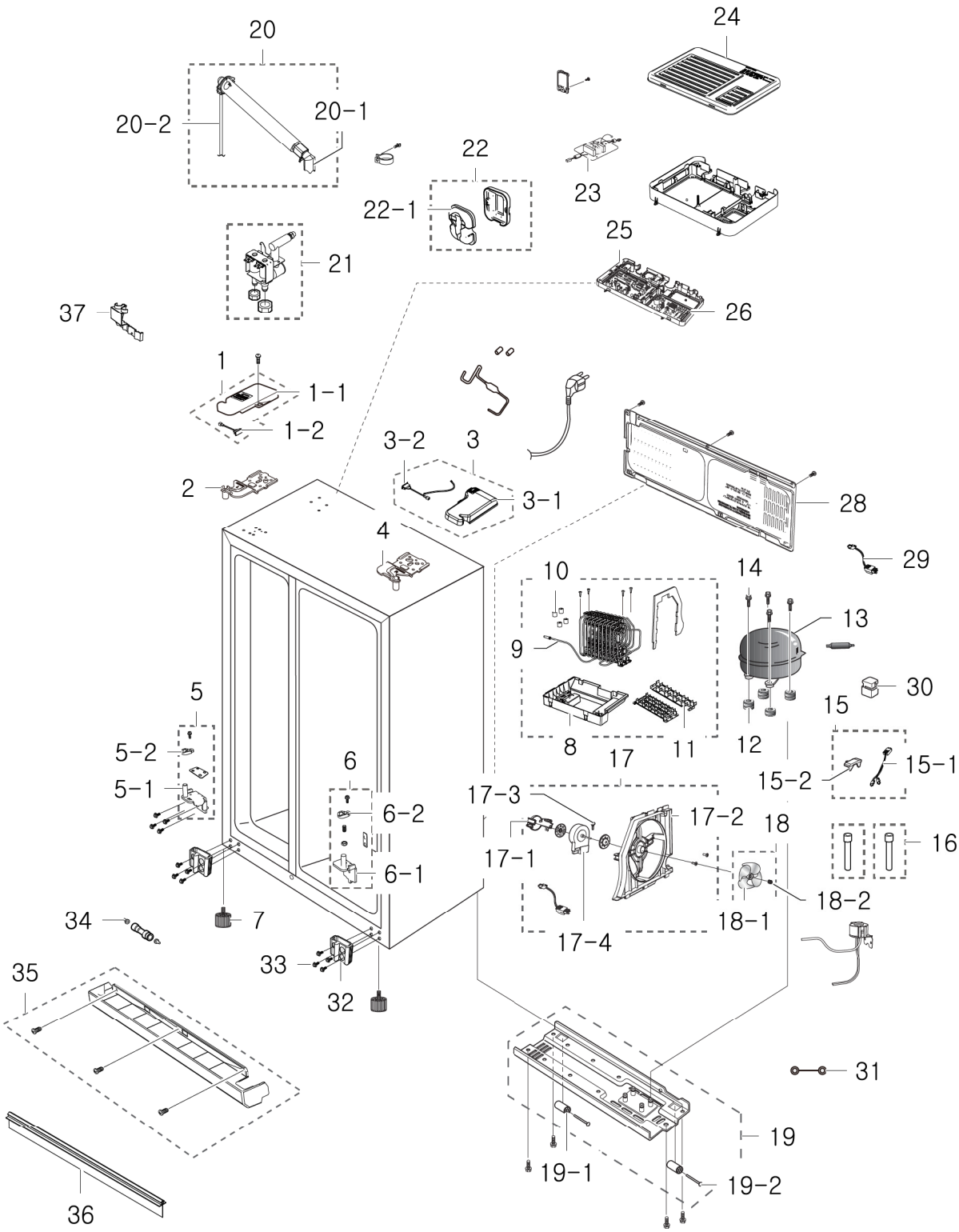
2. Fridge

Exploded View



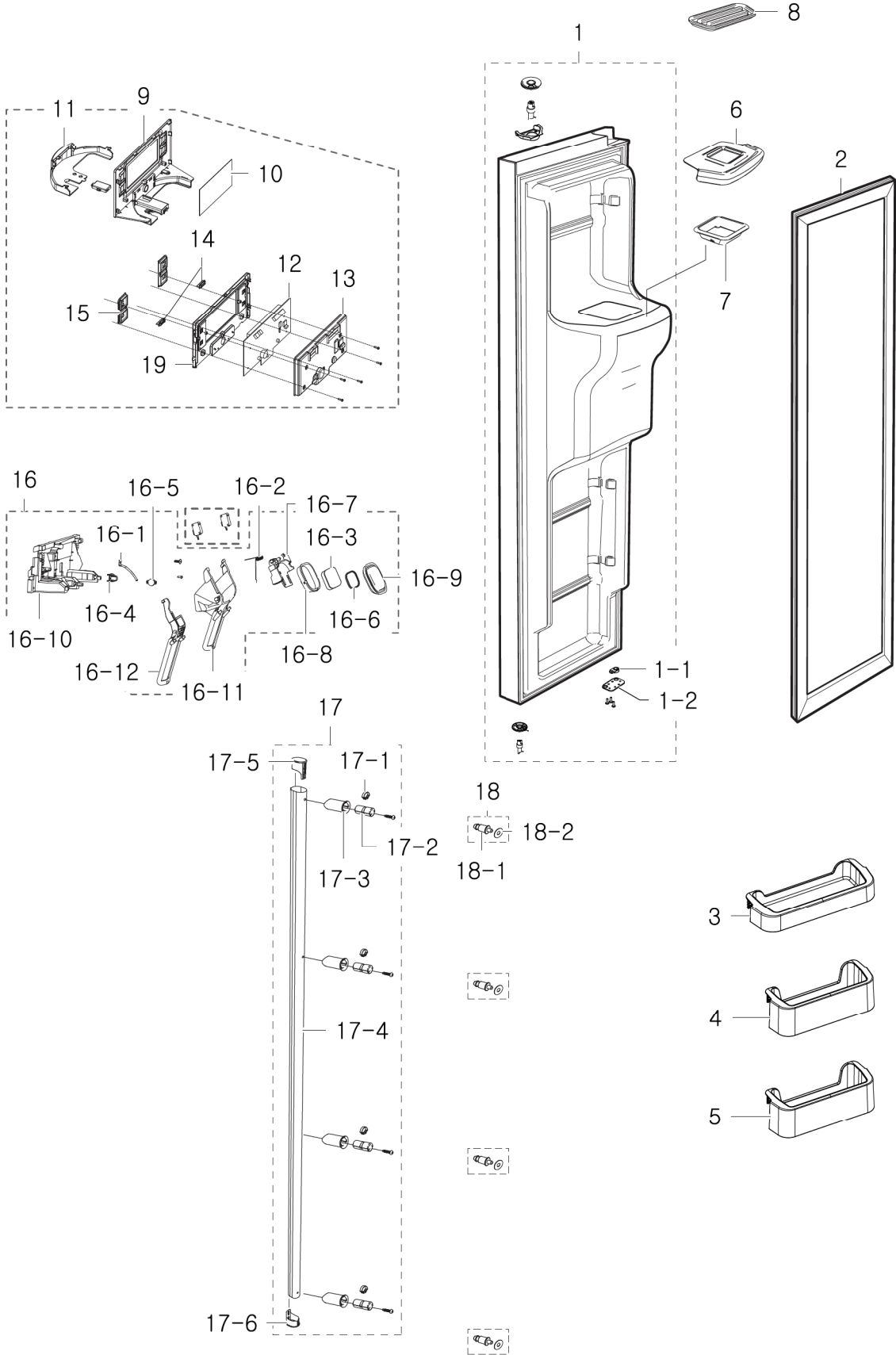
3. Cabinet Unit

Exploded View



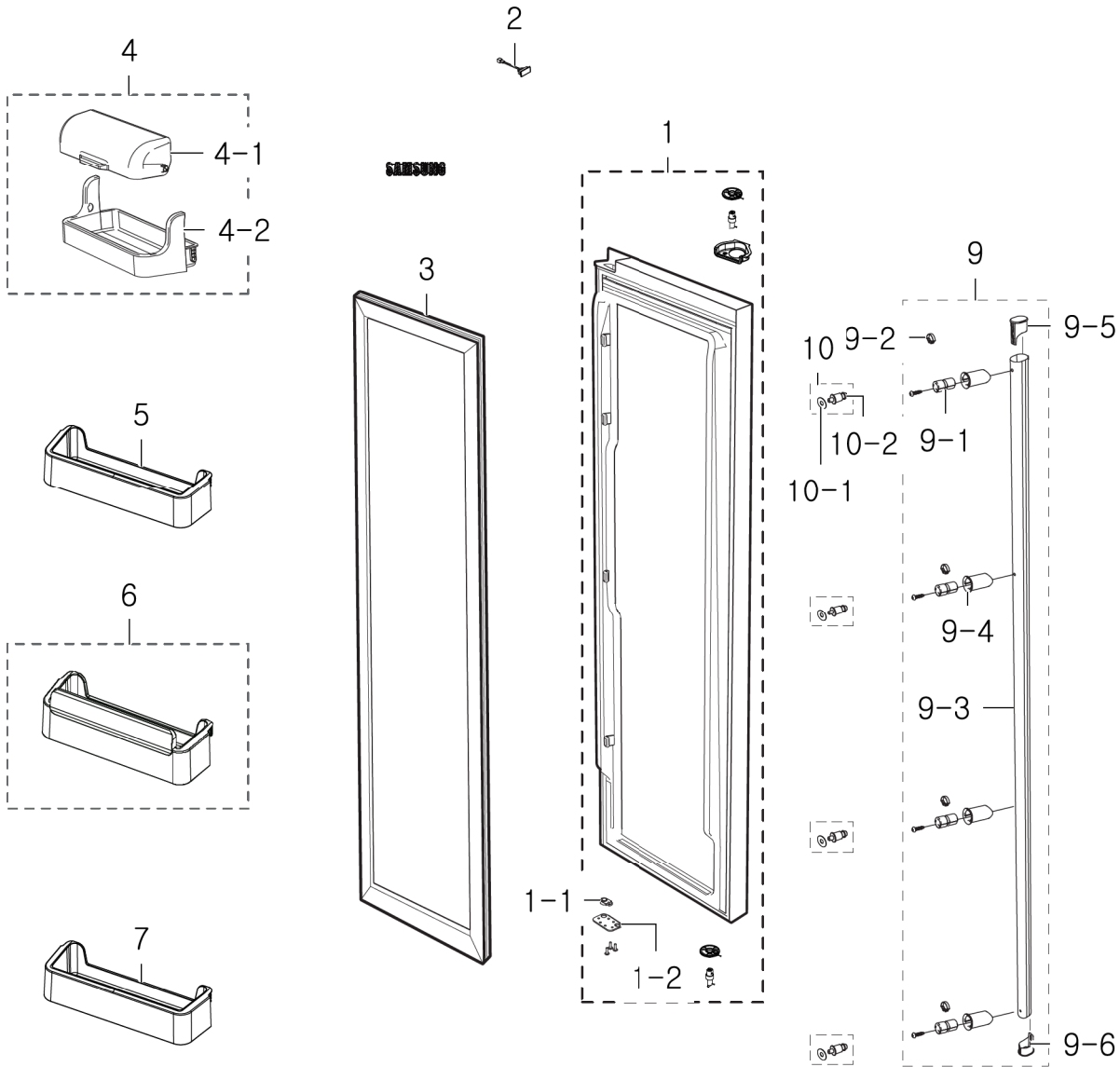
4. Freezer Door

Exploded View



5. Fridge Door

Exploded View



Parts List

No.	Parent	Lvl.	Loc.	Material Code	Description & Specification	SNA	Qty.
1	DA90-05934F	2	RE001	DA91-02624W	ASSY DOOR-FOAM REF; H/M10-PJT,REAR-STS,B,	SA	1
1-1	DA97-05224E	5	RO105	DA66-00344A	CAM-HINGE RISER LOW; USP05(ATOP,ET),NY-66	SC	1
1-2	DA97-05224E	5	RE043	DA61-00776A	STOPPER DOOR; N-PJT,SHP1,T3.0,-,-,-,-	SA	1
2	DA97-04980L	3	RK819	DA34-00043A	SWITCH REED-ASS'Y; 200VDC,1.5,-	SA	1
3	DA90-05934F	2	RR238	DA97-04567D	ASSY-GASKET DOOR REF; A-TOP,SC-97487,-,-	SA	1