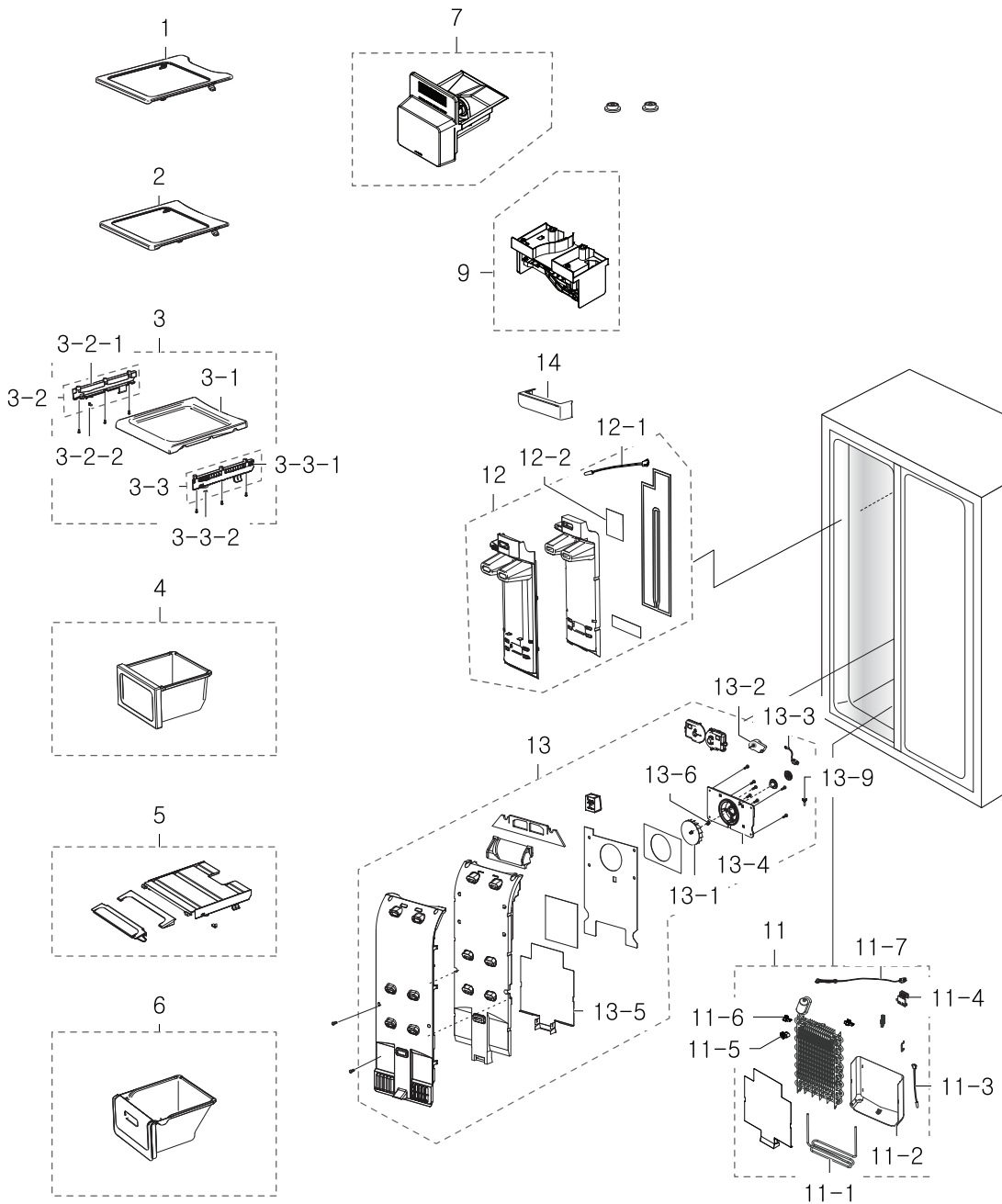


# 1. Freezer

## Exploded View



## Parts List

No.	Lvl.	Loc.	Material Code	Description & Specification	SNA	Qty.
1	2		DA97-08045D	ASSY SHELF FRE-TOP; HERMES(BASIC),HIPS, T	SA	2
2	2	RE064	DA97-08044D	ASSY SHELF FRE-MID; HERMES,HIPS,TEMPERED	SA	1
3	2	RF022	DA97-06927A	ASSY-SHELF FRE LOW; HERMES-PJT,-,-,-	SA	1

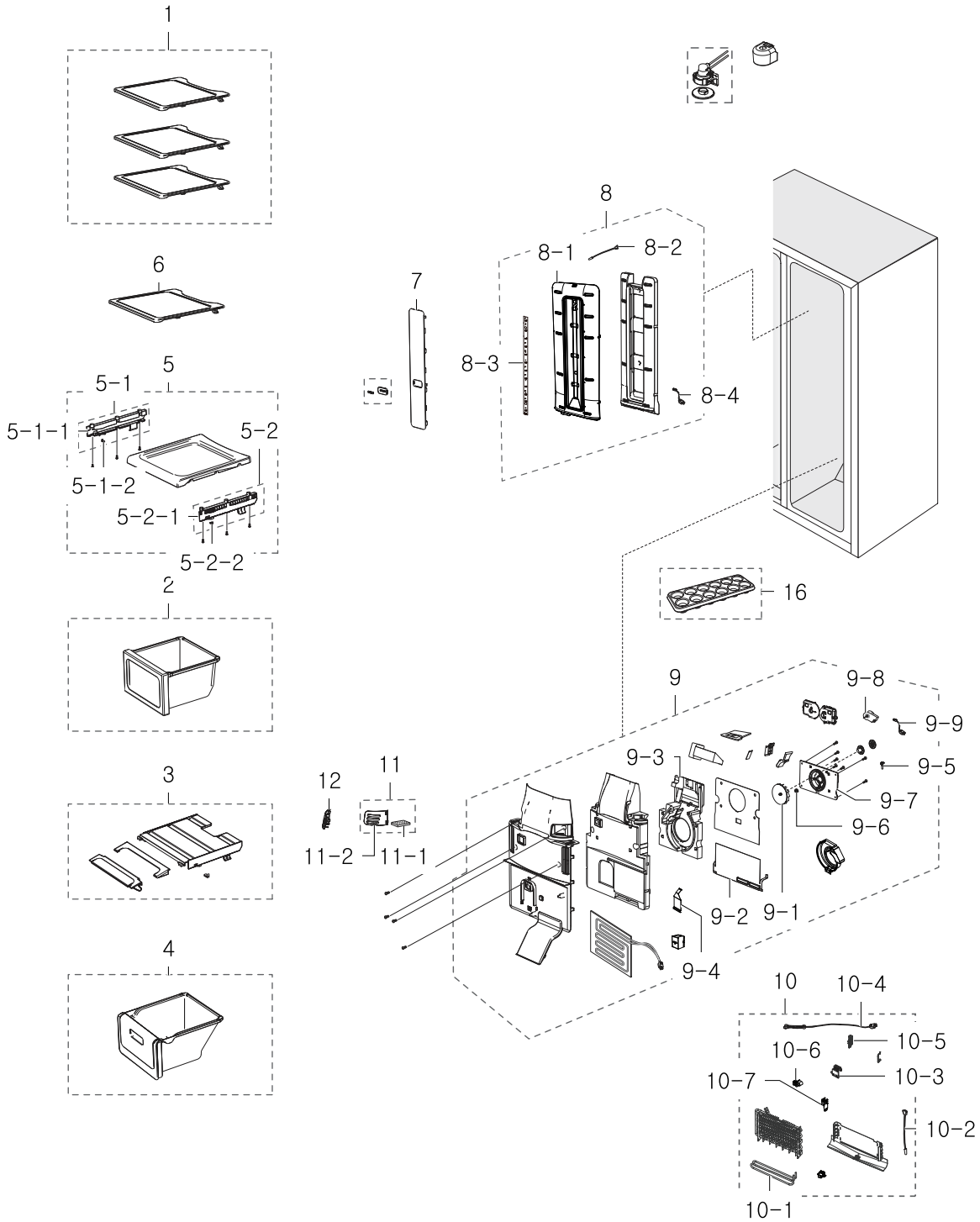
Exploded Views and Parts List

No.	Lvl.	Loc.	Material Code	Description & Specification	SNA	Qty.
3-1	3	RF360	DA67-02110A	SHELF-FRE LOW; HERMES-PJT,HIPS,-,-,-,COOL	SA	1
3-2	3	RR838	DA97-05233B	ASSY RAIL-BOX L; HERMES-PJT,T2.0,W17,L260	SA	1
3-2-1	4	RK458	DA61-03413B	RAIL-BOX L; HERMES-PJT,TALC PP,-,-,-,NATU	SA	1
3-2-2	4	RK243	DA63-00202C	GROMMET-RAIL; TD-PJT,NY-66,W10.7,COOL WHI	SA	1
3-3	3	RR840	DA97-05234B	ASSY RAIL-BOX R; HERMES-PJT,T2.0,W17,L260	SA	1
3-3-1	4	RK460	DA61-03412B	RAIL-BOX R; HERMES-PJT,TALC PP,-,-,-,NATU	SA	1
3-3-2	4	RK243	DA63-00202C	GROMMET-RAIL; TD-PJT,NY-66,W10.7,COOL WHI	SA	1
4	2	RI248	DA97-05047B	ASSY-CASE BASKET HIGH; HERMES,GPPS+HIPS,-	SA	1
5	2	RI249	DA97-05049C	ASSY-COVER SLIDE BASKET; HERMES,ABS+HIPS,	SA	1
6	2	RI170	DA97-05046B	ASSY-CASE BASKET LOW; HERMES,GPPS+HIPS,-,	SA	1
7	2	RF004	DA97-04084B	ASSY TRAY-ICE; HERMES,NEXT,TWIST	SA	1
9	1	RM061	DA90-03900D	ASSY ICE MAKER; HM-B,N(BASIC),-,-,-,-	SNA	1
11	2	RF011	DA96-00675N	ASSY EVAP-FRE; HERMES,FIN PIPE,A1070S-H14	SA	1
11-1	3		DA47-00320L	HEATER-SHEATH-METAL FRE; HM10,INCOLOY840,	SA	1
11-2	3	RF169	DA61-05989B	PLATE-DRAIN EVAP FRE; HERMES,GL-SAZCC,T0.	SA	1
11-3	3	RR336	DA32-00029N	SENSOR TEMP; DTN-C502G6X,NEXT-PJT,40~110	SA	1
11-4	3	RK215	DA61-00603A	FIXER-SENSOR; n-PJT,PP,-,-,-	SA	1
11-5	3	RR006	DA61-06013A	FIXER-WIRE; AW3-PJT,PP,NTR	SC	2
11-6	3	RF217	DA61-05160A	FIXER-FUSE; CULLI_09,PP,NATURAL,BJ750	SA	1
11-7	3	RR342	DA47-00301F	THERMO FUSE-ASSY; TWIN,120V/250V,15A/10A,	SA	1
12	2	RF439	DA97-08743A	ASSY-COVER MULTI FRE; HERMES10,BASIC,LED	SA	1
12-1	3	RK732	DA32-10105U	SENSOR TEMP; 502AT,A-TOP,-50~50,5V,-,-,RO	SA	1
12-2	3	RF180	DA61-03623A	PLATE-MULTI FRE HIGH; HERMES,PP,-,-,-,NTR	SNA	1
13	2	RF005	DA97-05052P	ASSY-COVER EVAP FRE; HERMES10	SA	1
13-1	3	RK182	DA31-00053A	FAN-BACKWARD; -,A-TOP,ABS,-,FRE	SA	1
13-2	3	RF431	DA31-00146E	MOTOR FAN-BLDC; DREP5020LB,BLDC Motor,0.2	SA	1
13-3	3	RY711	DA39-00060B	WIRE HARNESS-MOTOR; -,-,-,-,-,F-FAN,-,-	SC	1
13-4	3	RY172	DA61-00417A	CASE MOTOR; A-TOP,ABS,-,-,-,NTR,SBS	SA	1

No.	Lvl.	Loc.	Material Code	Description & Specification	SNA	Qty.
13-5	3	RF168	DA61-05991C	PLATE-EVAP HEATER FRE; HERMES,GL-SAZCC,T0	SA	1
13-6	3	RR053	DA61-20128A	SPRING ETC-FAN; STS304,PI8.8,ID7.8,OD9.8,	SA	1
13-9	3	RR066	DA63-40167A	GROMMET-COVER CHIL; SILICON,L16,WHITE	SA	1
14	2	RF396	DA63-05622A	COVER-LAMP FRE; HERMES,PP,NTR,BASIC,LED	SA	1

# 2. Fridge

## Exploded View



## Parts List

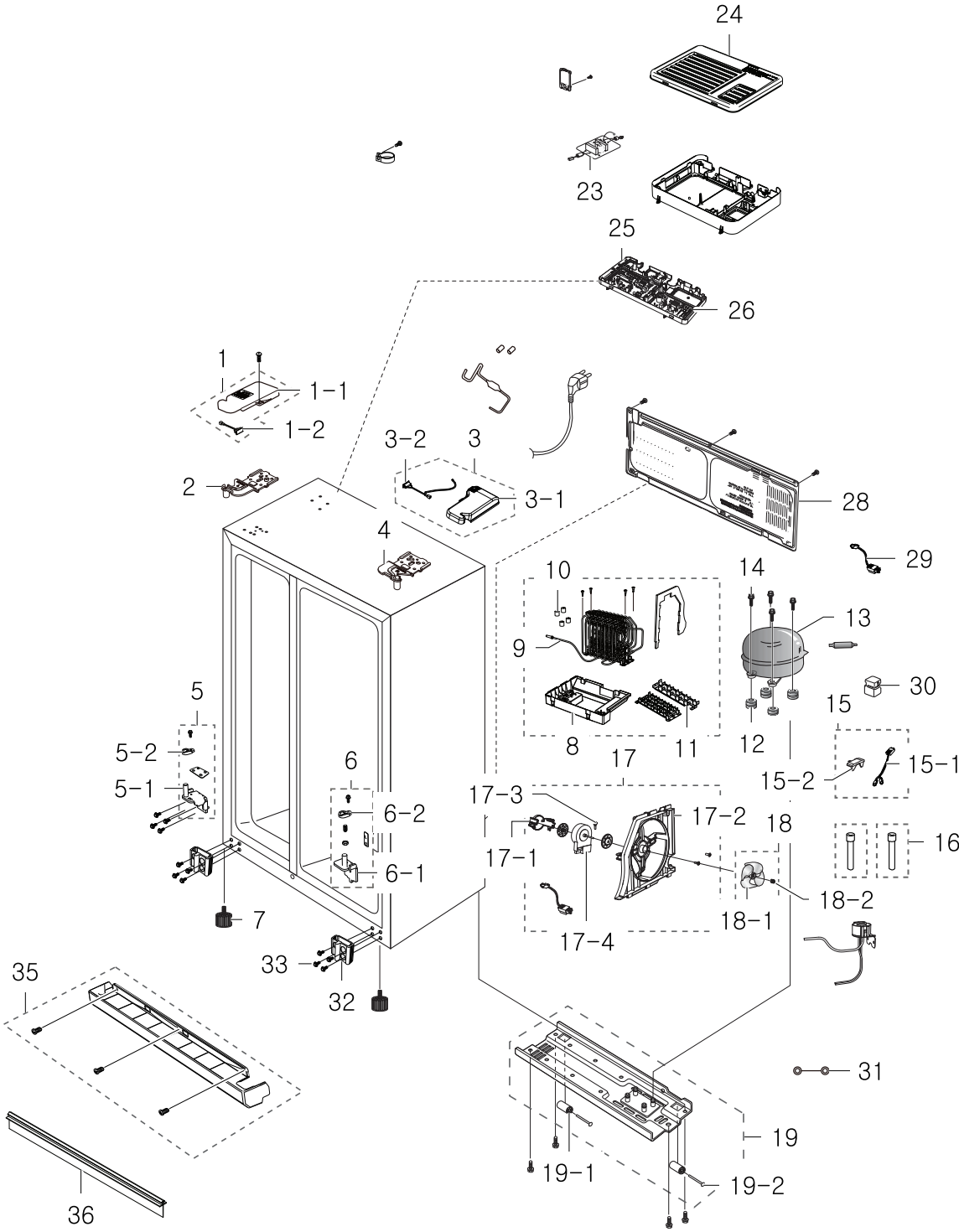
No.	Lvl.	Loc.	Material Code	Description & Specification	SNA	Qty.
1	2	RI672	DA67-01694A	SHELF REF-TOP; HERMES-PJT,PP+GLASS,T2.0,	SA	3
2	2	RI087	DA97-05045B	ASSY-CASE VEG HIGH; HERMES,GPPS+HIPS,-,-	SA	1
3	2	RG143	DA97-05048D	ASSY-COVER SLIDE VEG; HERMES,ABS+HIPS,WRA	SA	1
4	2	RI001	DA97-05044B	ASSY-CASE VEG LOW; HERMES,GPPS+HIPS,-,-	SA	1
5	2	RI039	DA97-06928A	ASSY-SHELF REF LOW; HERMES,-,-,-	SA	1
5-1	3	RR838	DA97-05233B	ASSY RAIL-BOX L; HERMES-PJT,T2.0,W17,L260	SA	1
5-1-1	4	RK458	DA61-03413B	RAIL-BOX L; HERMES-PJT,TALC PP,-,-,-,NATU	SA	1
5-1-2	4	RK243	DA63-00202C	GROMMET-RAIL; TD-PJT,NY-66,W10.7,COOL WHI	SA	1
5-2	3	RR840	DA97-05234B	ASSY RAIL-BOX R; HERMES-PJT,T2.0,W17,L260	SA	1
5-2-1	4	RK460	DA61-03412B	RAIL-BOX R; HERMES-PJT,TALC PP,-,-,-,NATU	SA	1
5-2-2	4	RK243	DA63-00202C	GROMMET-RAIL; TD-PJT,NY-66,W10.7,COOL WHI	SA	1
6	2	RI664	DA67-02109A	SHELF REF-MID; HERMES-PJT,PP+GLASS,-,W443	SA	1
7	2	RG028	DA63-05298A	COVER-LAMP REF; HM10,LED,PP,NTR	SA	1
8	2	RI019	DA97-08257F	ASSY COVER-MULTI REF; HM10,IN_DOOR,LED,PP	SA	1
8-1	3	RI528	DA63-05295A	COVER-MULT REF; HM10,PP,COOL-WHITE(SC-027	SA	1
8-2	3	RK732	DA32-10105U	SENSOR TEMP; 502AT,A-TOP,-50~50,5V,-,-,RO	SA	1
8-3	3	RK387	DA41-00519B	PBA-LED LAMP; GUGGENHEIM-PJT,CEM-1,100*20	SA	2
8-4	3	RR867	DA96-00424F	ASSY W/HARNESS-LED LAMP; NEXT08,W/H LED L	SA	1
9	2	RI008	DA97-08285N	ASSY COVER-EVAP REF; HM10,BASIC,LED,230V	SA	1
9-1	3	RK182	DA31-00053A	FAN-BACKWARD; -,A-TOP,ABS,-,FRE	SA	1
9-2	3	RI529	DA61-05993B	PLATE-EVAP HEATER REF; HERMES,AL,T0.3	SA	1
9-3	3	RI521	DA61-05285B	GUIDE-AIR REF; HERMES09,HIPS,COOL WHITE	SA	1
9-4	3	RI271	DA61-06244A	PLATE-DRAIN INS EVAP REF; HERMES,A1100,T0	SA	1
9-5	3	RR066	DA63-40167A	GROMMET-COVER CHIL; SILICON,L16,WHITE	SA	1
9-6	3	RR053	DA61-20128A	SPRING ETC-FAN; STS304,PI8.8,ID7.8,OD9.8,	SA	1
9-7	3	RF121	DA61-05286B	CASE-MOTOR REF; HERMES,HIPS,COOL WHITE	SA	1

Exploded Views and Parts List

No.	Lvl.	Loc.	Material Code	Description & Specification	SNA	Qty.
9-8	3	RF431	DA31-00146E	MOTOR FAN-BLDC; DREP5020LB,BLDC Motor,0.2	SA	1
9-9	3	RY711	DA39-00060B	WIRE HARNESS-MOTOR; -, -, -, -, -, -, F-FAN, -, -	SC	1
10	2	RI016	DA96-00676K	ASSY EVAP-REF; HERMES,FIN PIPE,A1070S-H14	SA	1
10-1	3		DA47-00321L	HEATER-METAL SHEATH; HM10-PJT,NCOLOY840,1	SA	1
10-2	3	RK704	DA32-00029R	SENSOR TEMP; DTN-C502G6X,SSEDA-PJT,40~110	SA	1
10-3	3	RK213	DA61-03683A	FIXER-SENSER; AW-PJT,PP,-,NTR,FH-44N	SA	1
10-4	3	RR341	DA47-00301B	THERMO FUSE-ASSY; HERMES,120V/250V,15A/10	SA	1
10-5	3	RF217	DA61-05160A	FIXER-FUSE; CULLI_09,PP,NATURAL,BJ750	SA	1
10-6	3	RR006	DA61-06013A	FIXER-WIRE; AW3-PJT,PP,NTR	SC	2
10-7	3	RC049	DA61-06062A	PLATE-EVAP BRACKET REF; HERMES/GUGGENHEIM	SA	1
11	2	RI273	DA97-05065B	ASSY-COVER DEODORIZER R; HM10 SEPM	SA	1
11-1	3	RG022	DA02-90106R	CATALYST-LTC; ALL,T5,W40,L40	SA	1
11-2	3	RG131	DA63-03606A	COVER-DEODORIZER R; HERMES,PP,-, -, -, -, -, C	SA	1
12	2	RG130	DA63-03605A	COVER-DEODORIZER L; HERMES,PP,-, -, -, -, -, C	SA	1
16	2	RE355	DA67-40322A	TRAY-EGG; SR-51.55.59,GPPS,-, -, -, -, -, -	SA	1

# 3. Cabinet Unit

## Exploded View



**Parts List**

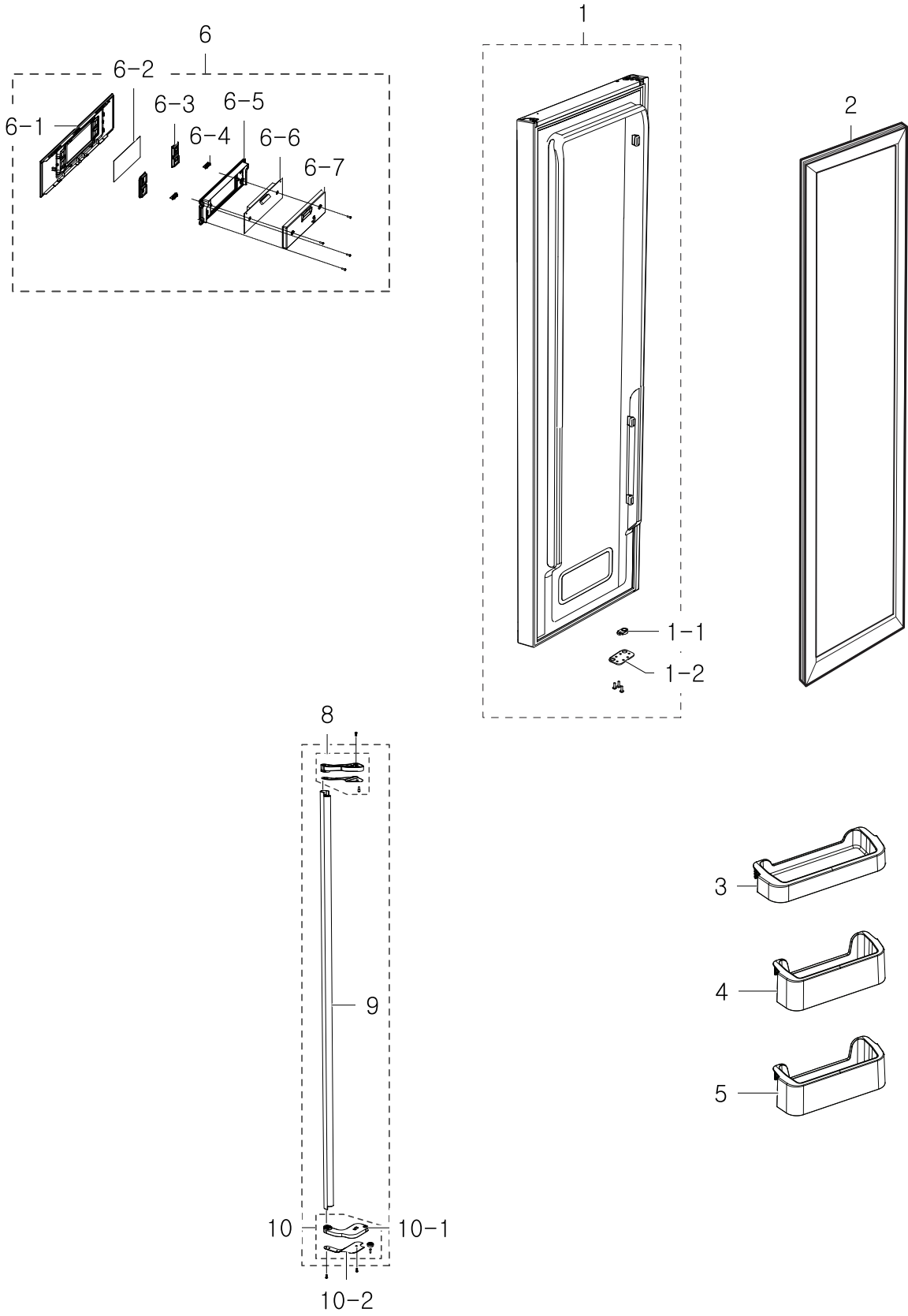
No.	Lvl.	Loc.	Material Code	Description & Specification	SNA	Qty.
1	2	RO044	DA97-04980L	ASSY COVER HINGE-UPP L; HERMES,T2.5,NOBLE	SA	1
1-1	3	RK166	DA63-03529L	COVER-HINGE UPP L; HEMRES,HIPS,T2.5,-,-,-	SA	1
1-2	3	RK819	DA34-00043A	SWITCH REED-ASS'Y; 200VDC,1.5,-	SA	1
2	2	RO129	DA61-03354A	HINGE-UPP L; HERMES,SHP1,T3.0,-,-,BLACK,-	SA	1
3	2	RO045	DA97-04979L	ASSY COVER HINGE-UPP R; HERMES,T2.5,NOBLE	SA	1
3-1	3	RO267	DA63-03530L	COVER-HINGE-UPP R; HEMRES,HIPS,T2.5,NOBLE	SA	1
3-2	1	RY475	DA92-00350A	ASSY PCB MAIN; 13V,5V,LED DISPLAY,HERMES-	SA	1
4	2	RO128	DA61-03355A	HINGE-UPP R; HERMES,SHP1,T3.0,-,-,BLACK,-	SA	1
5	2	RO037	DA97-04107C	ASSY HINGE LOW-L; HERMES,T4.5,SHIM-HINGE	SA	1
5-1	3	RO433	DA61-02891A	HINGE-LOW FRE; ET-PJT,SHP1,T4.5,W54.6,L57	SA	1
5-2	3	RR980	DA66-00343A	CAM-RISER; USP05(ATOP,ET),NY-66(2110R),BL	SA	1
6	2	RO038	DA97-04354C	ASSY HINGE-LOW R; HM09,SHP1+SM45C,T4.5,ZP	SA	1
6-1	3	RO436	DA61-02966A	HINGE-LOW, R; SAPPHIRE-PJT,SHP1+SM45C,T4.	SA	1
6-2	3	RR981	DA66-00401A	CAM-RISER; SAPPHIRE-PJT,NY-66,BLACK,2110R	SA	1
7	3	RO100	DA61-00805F	FOOT-FRONT; REF-ALL,PP+MSWR10,BLACK,PP_S	SA	2
8	3	RH885	DA63-03069B	TRAY DRAIN-WATER; HERMES-PJT,PP SCRAP,-,W	SA	1
9	3	RW002	DA97-03962E	ASSY PIPE-SPIRAL COND; HERMES-PJT,VE	SA	1
10	4	RH022	DA63-40128A	GROMMET-SUB COND; -,NBR,-,-,-,-,-,DARK-	SA	2
11	4	RH046	DA61-02795A	BRACKET-CONDENSER UP; ET/A-TOP_VE,SCP1,T1	SNA	3
12	2	RH732	DA63-02617A	GROMMET COMP; USP05,EPDM,OD27.0,BLACK	SA	4
13	2	RH002	ENV4A5GL2J/E01	COMPRESSOR,BLDC IPM,15.32CC,220-240V,FAN; COMPRESSOR,BLDC IPM,15.32CC,220-240V,FAN	SA	1
14	2	RR963	6011-001656	BOLT-HEX; HWH,M6,L16,ZPC(WHT),SWCH22,MACH	SA	6
15	2	RH070	DA97-10848B	ASSY COMP-SUB; MASSIMO GLOBAL(R),4TM308RF	SA	1
15-1	3	RH741	DA39-00154C	WIRE HARNESS-COMP; USP,PVC_TUBE,-,5,-,-,-,-	SC	1
15-2	3	RO354	DA34-00004B	RELAY PROTECTOR O/L; 4TM308RFBYY-82,BK190	SA	1



No.	Lvl.	Loc.	Material Code	Description & Specification	SNA	Qty.
16	2	RR856	DA97-04045A	ASSY TUBE-DRAIN; ET-PJT,SOFT-PVC	SA	2
17	2	RO132	DA97-03870B	ASSY SUPPORT-CIRCUIT MOTOR; ET/ATOP_VE,-,	SA	1
17-1	3	RH039	DA61-02355B	BRACKET-CIRCUIT MOTOR; ABS,NEXT,-,-,NTR	SA	1
17-2	3	RF412	DA61-02788A	SUPPORT-CIRCUIT MOTOR; ET/A-TOP_VE,ABS,T2	SA	1
17-3	3	RR066	DA63-40167A	GROMMET-COVER CHIL; SILICON,L16,WHITE	SA	1
17-4	3	RR088	DA31-00146B	MOTOR BLDC; DRCP5030LA,1550,DC12V,230mA,-	SC	1
18	2	RK180	DA31-00010F	FAN-ASSY; SBS,ABS+GF,150,3-Wings,GR-04	SA	1
18-1	3	RR029	DA31-00015C	FAN-TURBO; ET-PJT,ABS+GF,GR-4010	SA	1
18-2	3	RR053	DA61-20128A	SPRING ETC-FAN; STS304,PI8.8,ID7.8,OD9.8,	SA	1
19	2	RO002	DA97-03971E	ASSY CHASSIS-COMP; HERMES,-,-,W255.5,L895	SA	1
19-1	3	RR242	DA61-04703A	CASTER-REAR; AW-PJT,PP,-,35,NTR,35,PP+TPE	SA	2
19-2	3	RH012	DA61-01920A	CASTER-RIVET; (ZPC2),MSWR10,OD8.0,L58	SA	2
23	2	RH083	DA27-00019H	COIL FILTER-EMI; AW3-PJT,20mH,82*60,-25 ~	SA	1
24	2	RO286	DA63-05419A	COVER PCB-PANEL; HAEMIL_CULLI,GI-SGCC,T0.	SA	1
25	1	RY475	DA92-00350A	ASSY PCB MAIN; 13V,5V,LED DISPLAY,HERMES-	SA	1
26	1	RO326	DA92-00215A	ASSY PCB SUB INVERTER; 15,5V,Heamil 11,ES	SA	1
28	2	RH001	DA97-05202H	ASSY COVER-COMP; HERMES,SBHG1,T0.3,SEAL C	SA	1
29	2	RU397	DA96-00938S	ASSY W/HARNESS-MAIN; HM10-S(INV.), R(230V	SNA	1
30	2	RH015	DA63-01866A	COVER RELAY; NORYL,T2.0,SSEC,BLACK,HOOK	SA	1
31	2	RE170	DA96-00143B	ASSY EARTH; ATOP06,100~240V	SA	1
32	2	RO505	DA61-03036D	BRACKET-HINGE LOW; A-TOP 06,AL(6063),-,-,	SA	1
33	2	RR963	6011-001656	BOLT-HEX; HWH,M6,L16,ZPC(WHT),SWCH22,MACH	SA	6
35	2	RO287	DA63-05031C	COVER-LEG FRONT; HM09,PP,STS-KP,55MM	SA	1
36	3	RM102	DA64-02472A	TRIM-BLADE; HERMES-PJT,PVC,-,-,L375.2,NAT	SA	1

# 4. Freezer Door

## Exploded View

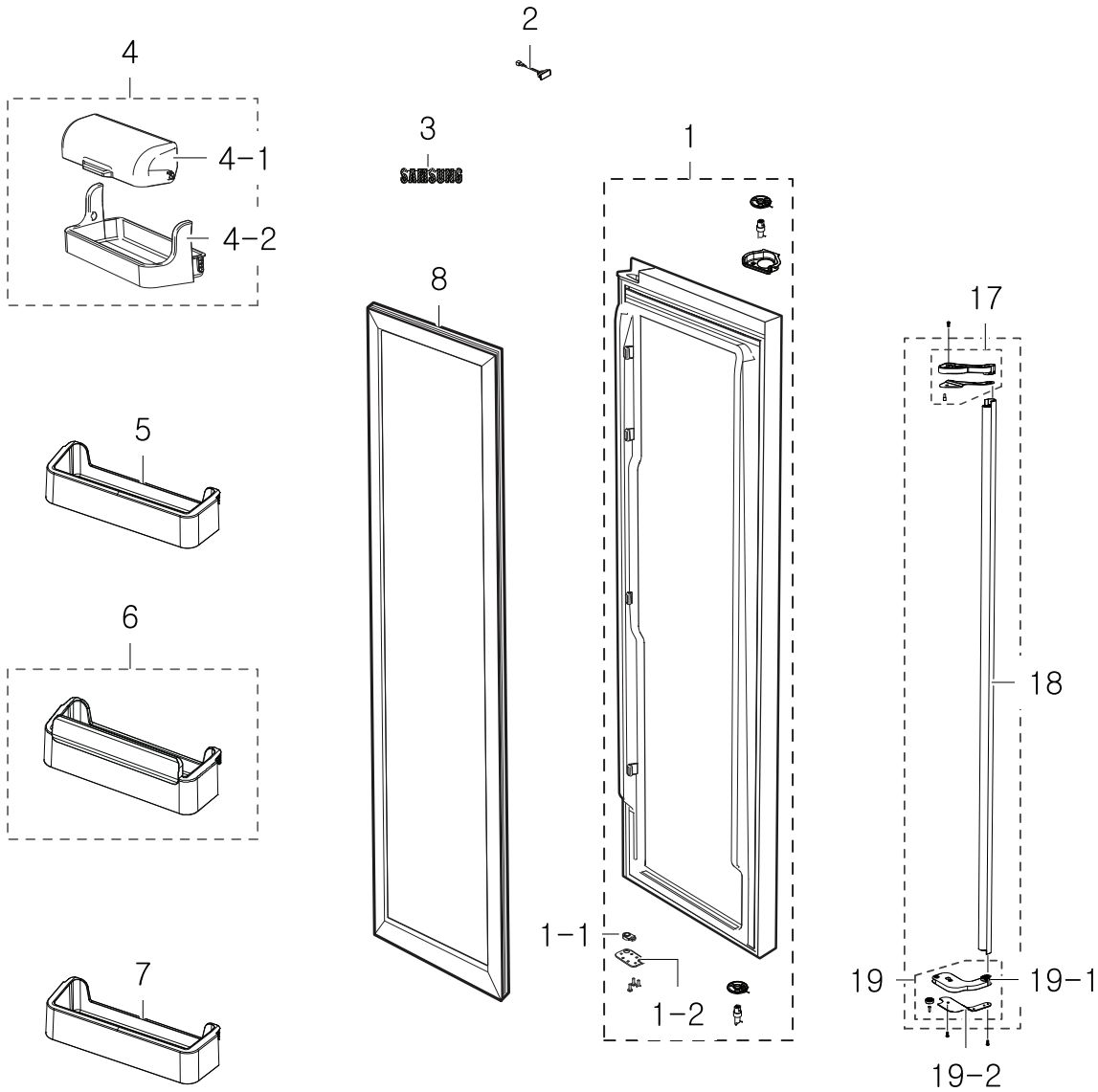


## Parts List

No.	Lvl.	Loc.	Material Code	Description & Specification	SNA	Qty.
1	2	RD001	DA91-03481G	ASSY DOOR FOAM FRE; HM09-BASIC,PLATINUM I	SA	1
1-1	5	RO105	DA66-00344A	CAM-HINGE RISER LOW; USP05(ATOP,ET),NY-66	SC	1
1-2	5	RE043	DA61-00776A	STOPPER DOOR; ES-PJT,SPCC,T3.0	SA	1
2	2	RU513	DA97-04567C	ASSY-GASKET DOOR FRE; HM10 SEPM,GRADY(SC-	SA	1
3	2	RD350	DA63-03642B	GUARD-FRE TOP; HERMES PJT,PP,-,-,-,COOL W	SA	1
4	2	RK264	DA63-03643A	GUARD-FRE LOW; HERMES PJT,PP,-,-,-,COOL W	SA	3
5	2	RK265	DA63-03643B	GUARD-FRE LOW; HERMES PJT,PP,-,-,-,COOL W	SA	1
6	3	RD142	DA63-05072E	COVER-CONTROL FRONT FRE; HERMES09,ABS,EUR	SA	1
6-1	3	RD142	DA63-05072E	COVER-CONTROL FRONT FRE; HERMES09,ABS,EUR	SA	1
6-2	3	RD052	DA63-05063D	COVER-CONTROL WINDOW FRE; HM09,ACRYL,BLAC	SA	1
6-3	3	RD286	DA64-02983A	DECORATION-BUTTON CONTROL; HM09,ABS,NTR,P	SA	2
6-4	3	RD237	DA63-05073A	COVER-CONTROL SUB; HERMES09,ABS,NTR	SA	1
6-5	3	RD236	DA63-05059A	GROMMET-BUTTON; HM09,SILICON,BLACK	SA	2
6-6	3	RO466	DA63-05074A	COVER-PBA PANEL; HERMES09,ABS,NTR,BASIC	SA	1
6-7	3		DA92-00293A	ASSY PCB KIT LED; LED DISPLAY,HM10-PJT,Va	SA	1
8	2	RD143	DA97-05173E	ASSY CAP HANDLE-FRE-UPP; HERMES,VERSAILLE	SA	1
9	2	RO391	DA64-02691C	HANDLE BAR; JM,AL,-,-,-,-,SC-06034T(INOX)	SA	1
10	2	RD144	DA97-05175K	ASSY CAP HANDLE-FRE LOW; HERMES,-,-,-,-,N	SA	1
10-1	3	RD242	DA67-01685K	CAP-HANDLE FRE LOW; JM,PC-ABS,-,-,-,NOBLE	SA	1
10-2	3	RD146	DA61-03408A	REINF-HANDLE-FRE-LOW; JM,SHP1,T2.0	SA	1

# 5. Fridge Door

## Exploded View



## Parts List

No.	Lvl.	Loc.	Material Code	Description & Specification	SNA	Qty.
1	2	RE001	DA91-02550S	ASSY DOOR FOAM REF; HM10-PJT 55MM,BASIC,P	SA	1
1-1	5	RO105	DA66-00344A	CAM-HINGE RISER LOW; USP05(ATOP,ET),NY-66	SC	1
1-2	5	RE043	DA61-00776A	STOPPER DOOR; ES-PJT,SPCC,T3.0	SA	1
2	3	RK819	DA34-00043A	SWITCH REED-ASS'Y; 200VDC,1.5,-	SA	1
3	3	RO716	DA64-04021B	MASCOT; ALL,NI,T0.05,L90	SA	1
4	2	RE028	DA97-07110A	ASSY GUARD-DAIRY; HERMES PJT,-,-,-,-,-,55	SA	1

No.	Lvl.	Loc.	Material Code	Description & Specification	SNA	Qty.
4-1	3	RE386	DA63-03534A	COVER-GUARD DAIRY; HERMES PJT,GPPS/HF2660	SA	1
4-2	3	RE390	DA63-04705A	GUARD-DAIRY; HERMES PJT,PP,T1.8,-,-,COOL	SA	1
5	2	RE469	DA63-03639A	GUARD-REF TOP; HERMES PJT,PP,-,-,COOL W	SA	1
6	2	RE382	DA63-03640A	GUARD-REF MID; HERMES PJT,PP,-,-,COOL W	SA	1
7	2	RE368	DA63-03641A	GUARD-REF LOW; HERMES PJT,PP,-,-,COOL W	SA	1
8	2	RR238	DA97-04567D	ASSY-GASKET DOOR REF; HM10 SEPM,GRAY(SC-9	SA	1
17	2	RD143	DA97-05173E	ASSY CAP HANDLE-FRE-UPP; HERMES,VERSAILLE	SA	1
18	2	RO391	DA64-02691C	HANDLE BAR; JM,AL,-,-,-,SC-06034T(INOX)	SA	1
19	2	RD144	DA97-05175K	ASSY CAP HANDLE-FRE LOW; HERMES,-,-,-,N	SA	1
19-1	3	RD242	DA67-01685K	CAP-HANDLE FRE LOW; JM,PC-ABS,-,-,-,NOBLE	SA	1
19-2	3	RD146	DA61-03408A	REINF-HANDLE-FRE-LOW; JM,SHP1,T2.0	SA	1