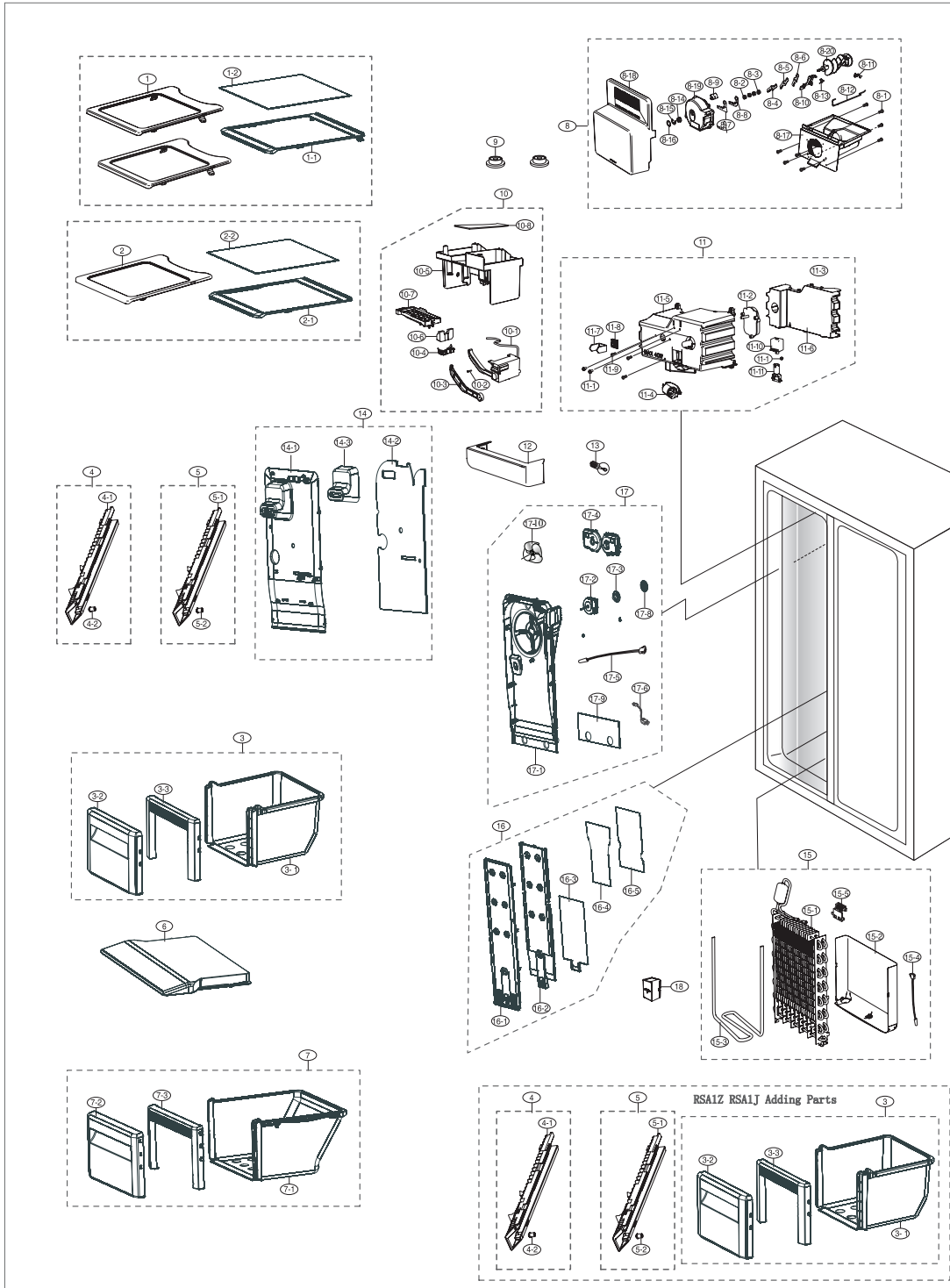


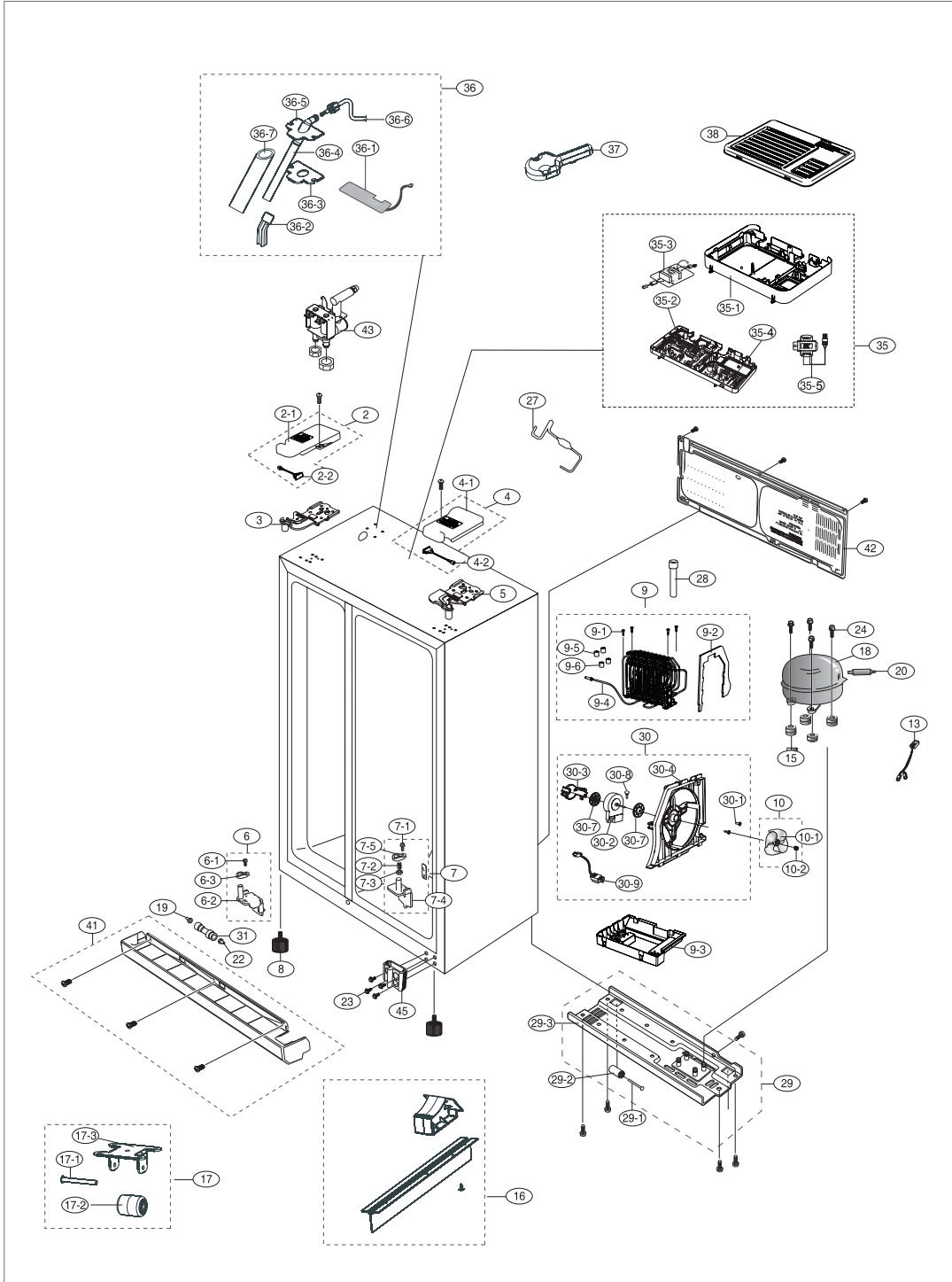
5 . EXPLODED VIEW & PART LIST

5-1) Freezer (RSA1Z RSA1J RSA1D RSA1U)



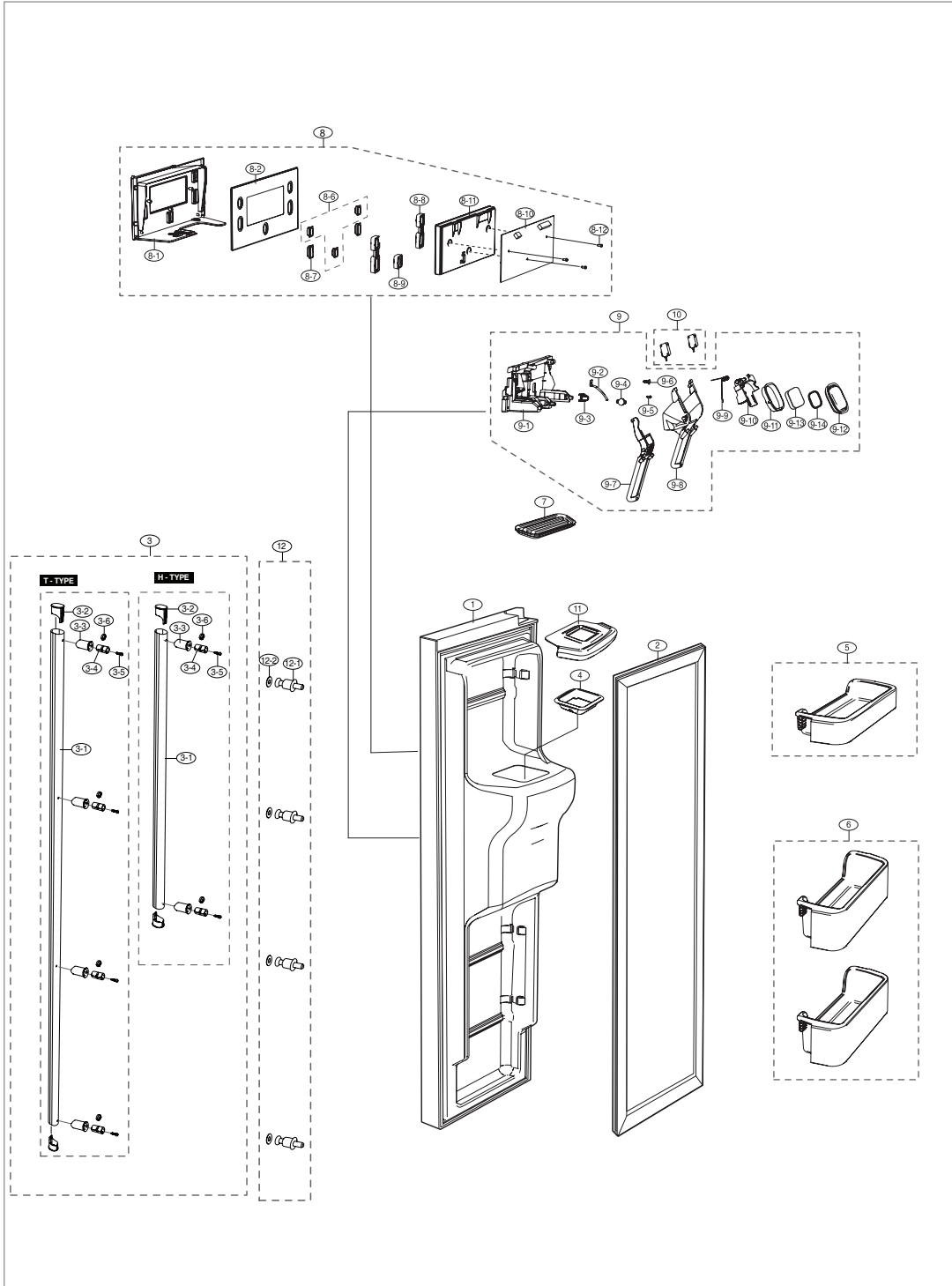
EXPLODED VIEW & PART LIST

5-5) Cabinet & Unit (RSA1Z RSA1J RSA1D RSA1U)



EXPLODED VIEW & PART LIST

5-7) Freezer Door (RSA1Z RSA1J RSA1D RSA1U)



EXPLODED VIEW & PART LIST

5-9)Fridge Door (RSA1J RSA1D RSA1U RSA1N RSA1S)

