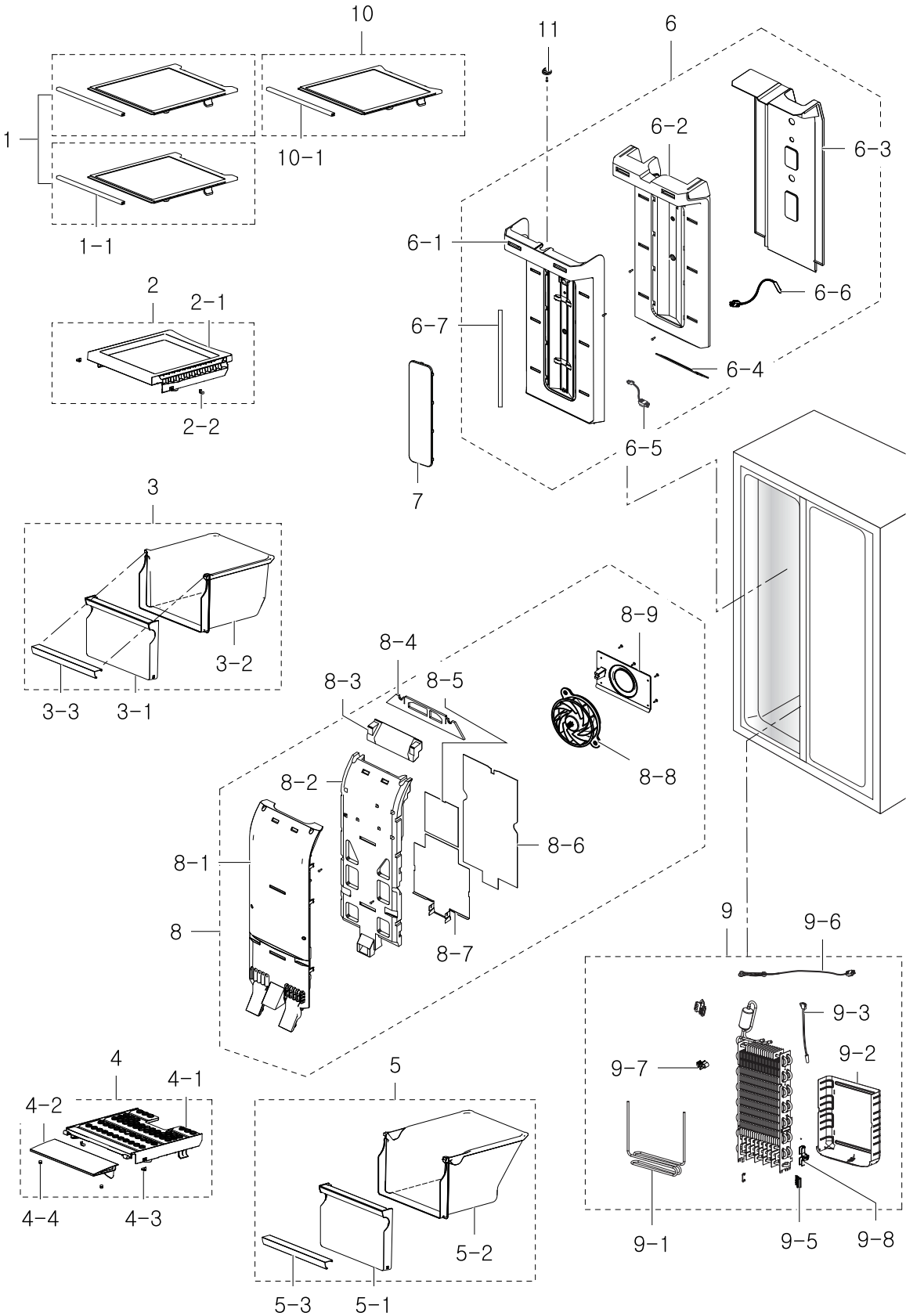


# 1. Freezer

## Exploded View



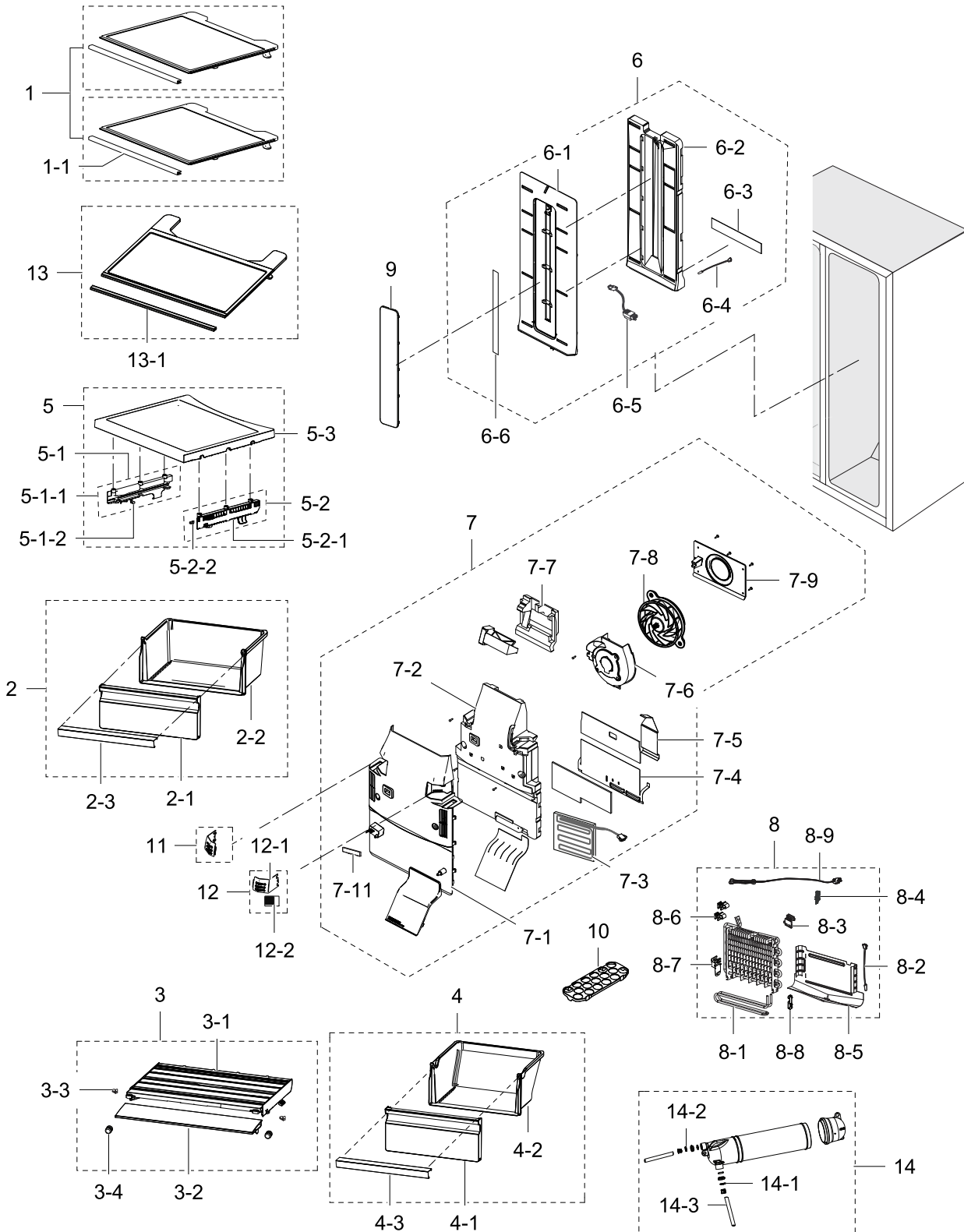
## Parts List

| No. | Lvl. | Loc.  | Material Code | Description & Specification                | SNA | Qty. |
|-----|------|-------|---------------|--|-----|------|
| 1   | 2    |       | DA97-12800B   | ASSY SHELF-FRE TOP; HM12-PJT,WHITE TRIM    | SA  | 2    |
| 1-1 | 3    |       | DA64-03760F   | TRIM SHELF-REAR; HERMES-12,ABS,HG-06601,L  | SA  | 2    |
| 2   | 2    | M0310 | DA97-12766A   | ASSY SHELF FRE-LOW; HM10-SEPM,RAIL TWO-PI  | SA  | 1    |
| 2-1 | 3    | Z1179 | DA67-03384A   | SHELF FRE-LOW; HERMES,ABS,COOL WHITE,HB,H  | SNA | 1    |
| 2-2 | 3    | G0587 | DA63-00202C   | GROMMET-RAIL; TD-PJT,NY-66,W10.7,COOL WHI  | SA  | 2    |
| 3   | 2    | Z1189 | DA97-12803B   | ASSY CASE-BASKET HIGH; HM12-PJT            | SA  | 1    |
| 3-1 | 3    | A1182 | DA63-07075A   | COVER BASKET-HIGH; HM12,GPPS,HB,165N,TP B  | SNA | 1    |
| 3-2 | 3    |       | DA61-08435A   | CASE BASKET-HIGH; HM12,GPPS,TP BLUE,HB,16  | SNA | 1    |
| 3-3 | 3    |       | DA64-03862K   | TRIM-TRAY FRE; HERMES-12,HIPS,TW91527,COO  | SA  | 1    |
| 4   | 2    |       | DA97-12807A   | ASSY COVER-SLIDE BASKET; HM12-PJT          | SA  | 1    |
| 4-1 | 3    | G0408 | DA63-07054A   | COVER BASKET-LOW; HM10,ABS,HB,NATURAL, TX- | SNA | 1    |
| 4-2 | 3    |       | DA63-07077A   | COVER SLIDE-BASKET; HM12,PETG,HB,NATURAL,  | SNA | 1    |
| 4-3 | 3    | G0587 | DA63-00202C   | GROMMET-RAIL; TD-PJT,NY-66,W10.7,COOL WHI  | SA  | 2    |
| 4-4 | 3    |       | DA63-07113A   | GROMMET-COVER SIDE; HM12,SILICON,Transpar  | SA  | 2    |
| 5   | 2    | A0496 | DA97-12804B   | ASSY CASE-BASKET LOW; HM12-PJT             | SA  | 1    |
| 5-1 | 3    | G0408 | DA63-07074A   | COVER BASKET-LOW; HM12,GPPS,HB,165N,TP, B  | SNA | 1    |
| 5-2 | 3    | G0407 | DA61-08434A   | CASE BASKET-LOW; HM12,GPPS,TP BLUE,HB,165  | SNA | 1    |
| 5-3 | 3    |       | DA64-03862K   | TRIM-TRAY FRE; HERMES-12,HIPS,TW91527,COO  | SA  | 1    |
| 6   | 2    | M0304 | DA97-12821A   | ASSY COVER MULTI-FRE; HM12,IN-DOOR,NOMAL   | SA  | 1    |
| 6-1 | 3    |       | DA63-07061A   | COVER MULTI-FRE; HM12,PP,HB,BJ750,COOL WH  | SNA | 1    |
| 6-2 | 3    |       | DA62-03721A   | INSULATION-MULTI FRE; HM12,FOAM-PS,WHITE   | SNA | 1    |
| 6-3 | 3    |       | DA61-08424A   | PLATE-INS MULTI FRE; HM12,PP,T2.0,BLACK,R  | SNA | 1    |
| 6-4 | 3    |       | DA62-03766A   | SEAL-MULTI FRE LOW; HM12,OJC-3000,WHTIE,T  | SNA | 1    |
| 6-5 | 3    |       | DA96-00768M   | ASSY W/HARNESS-LED LAMP; HM12, FRE,12Vdc   | SA  | 1    |

| No.  | Lvl. | Loc.  | Material Code | Description & Specification                  | SNA | Qty. |
|------|------|-------|---------------|--|-----|------|
| 6-6  | 3    | A1018 | DA32-00006D   | SENSOR TEMP;<br>PX-41C,502AT-2,EXPORT,-10~35 | SA  | 1    |
| 6-7  | 3    | G0090 | DA41-00749C   | ASSY LAMP LED;<br>8,CEM-1,335*20,WHITE,SMAW2 | SA  | 1    |
| 7    | 2    | M0152 | DA63-05297A   | COVER-LAMP FRE;<br>HM10,LED,PP,NATURAL,BJ730 | SA  | 1    |
| 8    | 2    | M0303 | DA97-12820A   | ASSY COVER EVAP-FRE; HM12,BASIC, AIO<br>Slim | SA  | 1    |
| 8-1  | 3    |       | DA63-07060A   | COVER EVAP-FRE; HM12,PP,HB,BJ750,COOL<br>WHI | SNA | 1    |
| 8-2  | 3    |       | DA62-03720A   | INSULATION-EVAP FRE A;<br>HM12,FOAM-PS,WHITE | SNA | 1    |
| 8-3  | 3    |       | DA62-03722A   | INSULATION-EVAP FRE B;<br>HM12,FOAM-PS,WHITE | SNA | 1    |
| 8-4  | 3    |       | DA62-03765A   | SEAL-COVER EVAP FRE HIGH;<br>HM12,OJC-3000,W | SNA | 1    |
| 8-5  | 3    |       | DA61-08591A   | PLATE-INS EVAP FRE HIGH;<br>HM12,PP,T1.0,NAT | SNA | 1    |
| 8-6  | 3    |       | DA62-03764A   | SEAL-COVER EVAP FRE REAR;<br>HM12,FOAM-PE+AL | SNA | 1    |
| 8-7  | 3    |       | DA61-05991C   | PLATE-EVAP HEATER FRE;<br>HERMES,GL-SAZCC,T0 | SA  | 1    |
| 8-8  | 3    |       | DA31-00287B   | MOTOR BLDC-FAN; ARES2120RA,1870<br>4%,12V,2  | SA  | 1    |
| 8-9  | 3    | M0143 | DA61-08425A   | CASE-MOTOR FRE;<br>HM12,ABS,GRAY,CNTKA-204,S | SA  | 1    |
| 9    | 2    | A0163 | DA96-00675U   | ASSY EVAP-FRE; HM12,FIN<br>TUBE,A1070,230V,2 | SA  | 1    |
| 9-1  | 3    | G0515 | DA47-00320L   | HEATER METAL SHEATH;<br>HM10,INCOLOY840,200W | SNA | 1    |
| 9-2  | 3    |       | DA61-05989B   | PLATE-DRAIN EVAP FRE;<br>HERMES,GL-SAZCC,T0. | SNA | 1    |
| 9-3  | 3    | A1018 | DA32-00029N   | SENSOR TEMP;<br>DTN-C502G6X,NEXT-PJT,40~110  | SNA | 1    |
| 9-5  | 3    | A0744 | DA61-05160A   | FIXER-FUSE;<br>CULLI_09,PP,NATURAL,HB,BJ750  | SNA | 1    |
| 9-6  | 3    | A1008 | DA47-00301F   | THERMO FUSE-ASSY; TWIN,250V,10A,109~110      | SNA | 1    |
| 9-7  | 3    | M0475 | DA61-06013A   | FIXER-WIRE; AW3-PJT,PP,NTR                   | SNA | 2    |
| 9-8  | 3    | G0521 | DA61-06691A   | FIXER-WIRE FRE SUB;<br>HM/GGH/HAEMIL,PP,NTR, | SNA | 1    |
| 10   | 2    |       | DA97-12799B   | ASSY SHELF-FRE MID; HM12-PJT,WHITE<br>TRIM   | SA  | 1    |
| 10-1 | 3    |       | DA64-03760F   | TRIM SHELF-REAR;<br>HERMES-12,ABS,HG-06601,L | SA  | 2    |
| 11   | 2    | G0200 | DA61-01797A   | FIXER GROMMET-DOOR;<br>T3-PJT,PP,SC-02740R   | SA  | 1    |

# 2. Fridge

## Exploded View



## Parts List

| No.   | Lvl. | Loc.  | Material Code | Description & Specification               | SNA | Qty. |
|-------|------|-------|---------------|---|-----|------|
| 1     | 2    |       | DA97-12798B   | ASSY SHELF-REF TOP; HM12-PJT,WHITE TRIM   | SA  | 3    |
| 1-1   | 3    |       | DA64-03760E   | TRIM SHELF-REAR; HERMES-12,ABS,HG-06601,L | SA  | 3    |
| 2     | 2    | Z1188 | DA97-12801B   | ASSY CASE-VEG HIGH; HM12-PJT              | SA  | 1    |
| 2-1   | 3    | A1183 | DA63-07072A   | COVER VEG-HIGH; HM12,GPPS,HB,165N,TP BLUE | SNA | 1    |
| 2-2   | 3    | A0677 | DA61-08432A   | CASE VEG-HIGH; HM12,GPPS,TP BLUE,HB,165N, | SNA | 1    |
| 2-3   | 3    |       | DA64-03862L   | TRIM-TRAY FRE; HERMES-12,HIPS,TW91527,COO | SA  | 1    |
| 3     | 2    |       | DA97-12806A   | ASSY COVER-SLIDE VEG; HM12-PJT            | SA  | 1    |
| 3-1   | 3    | M0272 | DA63-07017A   | COVER VEG-LOW; HM10,ABS,HB,NATURAL,TX-051 | SNA | 1    |
| 3-2   | 3    |       | DA63-07076A   | COVER SLIDE-VEG; HM12,PETG,HB,NATURAL,T90 | SNA | 1    |
| 3-3   | 3    | G0587 | DA63-00202C   | GROMMET-RAIL; TD-PJT,NY-66,W10.7,COOL WHI | SA  | 2    |
| 3-4   | 3    |       | DA63-07113A   | GROMMET-COVER SIDE; HM12,SILICON,Transpar | SA  | 2    |
| 4     | 2    | M0236 | DA97-12802B   | ASSY CASE-VEG LOW; HM12-PJT               | SA  | 1    |
| 4-1   | 3    | M0272 | DA63-07073A   | COVER VEG-LOW; HM12,GPPS,HB,165N,TP, BLUE | SNA | 1    |
| 4-2   | 3    | M0268 | DA61-08433A   | CASE VEG-LOW; HM12,GPPS,TP BLUE,HB,165N,H | SNA | 1    |
| 4-3   | 3    |       | DA64-03862L   | TRIM-TRAY FRE; HERMES-12,HIPS,TW91527,COO | SA  | 1    |
| 5     | 2    | G0284 | DA97-12764A   | ASSY SHELF REF-LOW; HM10-SEPM,RAIL-TWO PI | SA  | 1    |
| 5-1   | 3    | G0565 | DA97-05233B   | ASSY RAIL-BOX L; HERMES-PJT,T2.0,W17,L260 | SA  | 1    |
| 5-1-1 | 4    |       | DA61-03413B   | RAIL-BOX L; HERMES-PJT,TALC PP,-,-,-,NATU | SNA | 1    |
| 5-1-2 | 4    | G0587 | DA63-00202C   | GROMMET-RAIL; TD-PJT,NY-66,W10.7,COOL WHI | SA  | 1    |
| 5-2   | 3    | G0566 | DA97-05234B   | ASSY RAIL-BOX R; HERMES-PJT,T2.0,W17,L260 | SA  | 1    |
| 5-2-1 | 4    |       | DA61-03412B   | RAIL-BOX R; HERMES-PJT,TALC PP,-,-,-,NATU | SNA | 1    |
| 5-2-2 | 4    | G0587 | DA63-00202C   | GROMMET-RAIL; TD-PJT,NY-66,W10.7,COOL WHI | SA  | 1    |
| 5-3   | 3    | A0682 | DA67-03385A   | SHELF REF-LOW; HM10,ABS,COOL WHITE,HG-076 | SNA | 1    |
| 6     | 2    | G0239 | DA97-12823A   | ASSY COVER MULTI-REF; HM12,COOL WHITE,LED | SA  | 1    |
| 6-1   | 3    | A0689 | DA63-07081A   | COVER MULTI-REF; HM12,PP,HB,BJ750,COOL WH | SNA | 1    |

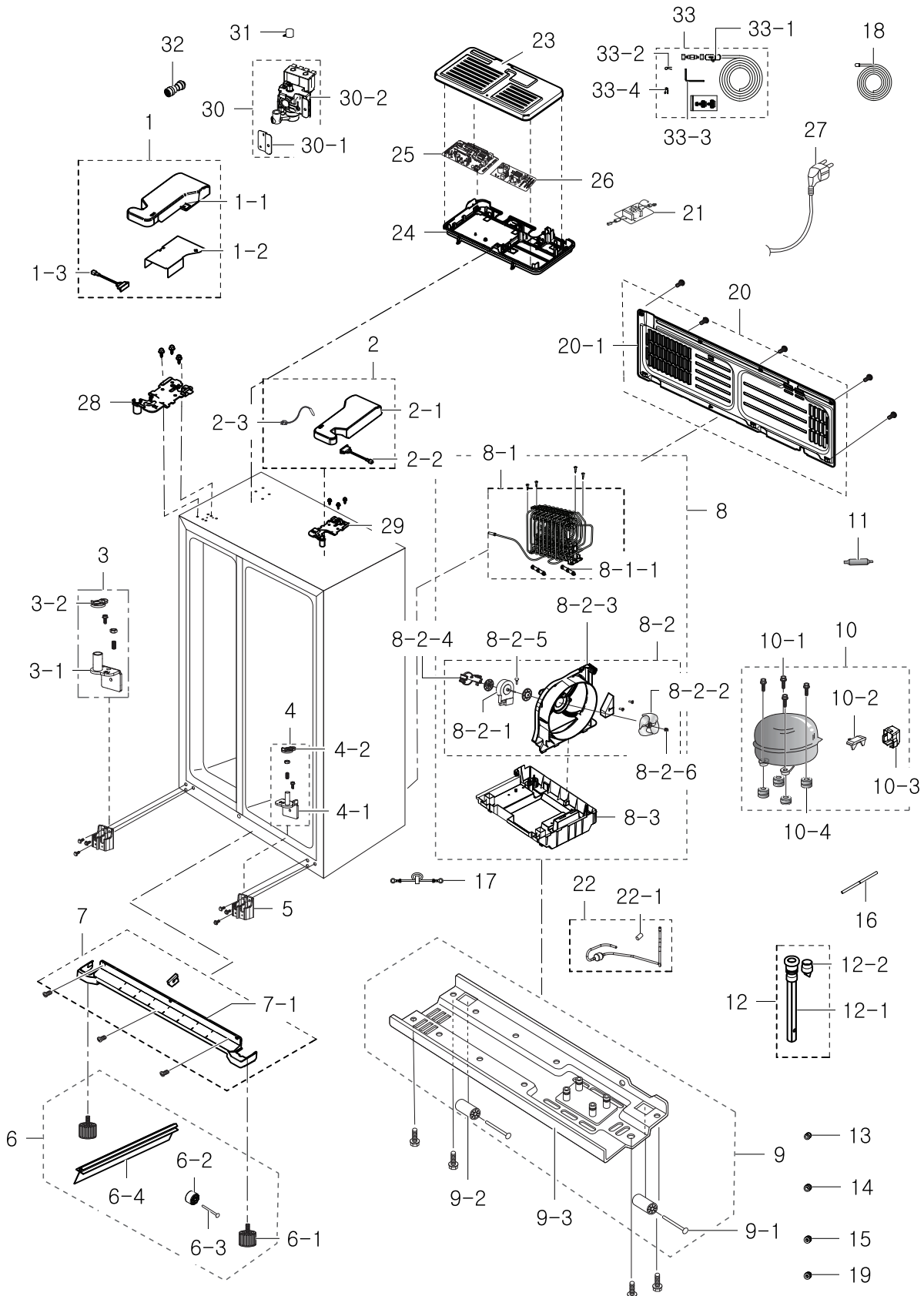
Exploded Views and Parts List

| No.  | Lvl. | Loc.  | Material Code | Description & Specification                  | SNA | Qty. |
|------|------|-------|---------------|--|-----|------|
| 6-2  | 3    | A0695 | DA62-03726A   | INSULATION-MULTI REF;<br>HM12,FOAM-PS,WHITE, | SNA | 1    |
| 6-3  | 3    |       | DA61-03361A   | PLATE-MULTI REF REAR; HERMES,PP,T0.6,-,-,    | SNA | 1    |
| 6-4  | 3    | A1018 | DA32-10105U   | SENSOR TEMP; 502AT,A-TOP,-50~50,5V,-,-,RO    | SA  | 1    |
| 6-5  | 3    | G0563 | DA96-00424F   | ASSY W/HARNES-LED LAMP;<br>ALL,12VDC,UL,IEC  | SA  | 1    |
| 6-6  | 3    | T0096 | DA41-00519Y   | ASSY LAMP LED;<br>9,FR-4,490*20,WHITE,SMAW25 | SA  | 1    |
| 7    | 2    | Z1177 | DA97-12824A   | ASSY COVER EVAP-REF; HM12,COOL<br>WHITE,BASI | SA  | 1    |
| 7-1  | 3    |       | DA63-07079A   | COVER EVAP-REF; HM12,PP,HB,BJ750,COOL<br>WHI | SNA | 1    |
| 7-2  | 3    |       | DA62-03727A   | INSULATION EVAP-REF A;<br>HM12,FOAM-PS,WHITE | SNA | 1    |
| 7-3  | 3    | G0514 | DA47-00258A   | HEATER-WATER TANK;<br>-,HERMES,-,5W,-,230V,- | SA  | 1    |
| 7-4  | 3    |       | DA61-05993B   | PLATE-EVAP HEATER REF; HERMES,AL,T0.3        | SA  | 1    |
| 7-5  | 3    |       | DA61-06244A   | PLATE-DRAIN INS EVAP REF;<br>HERMES,A1100,T0 | SA  | 1    |
| 7-6  | 3    |       | DA61-08437A   | GUIDE AIR-REF; HM12,HIPS,HB,S834S1,COOL<br>W | SA  | 1    |
| 7-7  | 3    |       | DA62-03734A   | INSULATION EVAP-REF B;<br>HM12,FOAM-PS,WHITE | SNA | 1    |
| 7-8  | 3    |       | DA31-00287B   | MOTOR BLDC-FAN; ARES2120RA,1870<br>4%,12V,2  | SA  | 1    |
| 7-9  | 3    |       | DA61-08438A   | PLATE-MOTOR REF; HM12,ABS,NTR,ABS,AIO<br>Q7  | SA  | 1    |
| 7-11 | 3    | G0090 | DA41-00749C   | ASSY LAMP LED;<br>8,CEM-1,335*20,WHITE,SMAW2 | SA  | 1    |
| 8    | 2    | A0184 | DA96-00676K   | ASSY EVAP-REF; HERMES,FIN<br>PIPE,A1070S-H14 | SA  | 1    |
| 8-1  | 3    | A0921 | DA47-00321L   | HEATER METAL SHEATH;<br>HM10-PJT,NCOLOY840,1 | SA  | 1    |
| 8-2  | 3    | A1018 | DA32-00029R   | SENSOR TEMP;<br>DTN-C502G6X,SSEDA-PJT,40~110 | SA  | 1    |
| 8-3  | 3    |       | DA61-03683A   | FIXER-SENSER; AW-PJT,PP,-,NTR,FH-44N         | SNA | 1    |
| 8-4  | 3    | A0744 | DA61-05160A   | FIXER-FUSE;<br>CULLI_09,PP,NATURAL,HB,BJ750  | SNA | 1    |
| 8-5  | 3    | M0404 | DA61-05702B   | PLATE-DRAIN EVAP REF; HERMES,<br>GUGGENHEIM, | SNA | 1    |
| 8-6  | 3    | M0475 | DA61-06013A   | FIXER-WIRE; AW3-PJT,PP,NTR                   | SNA | 2    |
| 8-7  | 3    | G0519 | DA61-06062A   | PLATE-EVAP BRACKET REF;<br>HERMES/GUGGENHEIM | SA  | 1    |
| 8-8  | 3    | G0522 | DA61-06700A   | FIXER-HEATER WIRE REF;<br>HM/GGH/HAEMIL,PP,N | SNA | 2    |

| No.  | Lvl. | Loc.  | Material Code | Description & Specification                  | SNA | Qty. |
|------|------|-------|---------------|--|-----|------|
| 8-9  | 3    | A1008 | DA47-00301B   | THERMO FUSE-ASSY;<br>HERMES,250V,10A,109~110 | SA  | 1    |
| 9    | 2    | A0710 | DA63-07034A   | COVER-LAMP REF; HM10-SEPM,PP,NTR             | SA  | 1    |
| 10   | 2    | Z1106 | DA67-40322A   | TRAY-EGG; SR-51.55.59,GPPS,-,-,-,-,-         | SA  | 1    |
| 11   | 2    |       | DA63-07080A   | COVER DEODORIZER-L; HM12,PP,HB,COOL<br>WHITE | SA  | 1    |
| 12   | 2    |       | DA97-12822A   | ASSY COVER-DEODORIZER R; HM12,COOL<br>WHITE  | SNA | 1    |
| 12-1 | 3    |       | DA63-07083A   | COVER DEODORIZER-R; HM12,PP,HB,COOL<br>WHITE | SA  | 1    |
| 12-2 | 3    | G0513 | DA02-90106R   | CATALYST-LTC; ALL,T5,W40,L40                 | SA  | 1    |
| 13   | 2    | A0909 | DA97-12797B   | ASSY SHELF-REF MID; HM12-PJT,WHITE<br>TRIM   | SA  | 1    |
| 13-1 | 3    |       | DA64-03760E   | TRIM SHELF-REAR;<br>HERMES-12,ABS,HG-06601,L | SA  | 3    |
| 14   | 2    | M0042 | DA97-12702B   | ASSY TANK WATER; HM10 SEPM,ASSY,NTR          | SA  | 1    |
| 14-1 | 3    |       | DA61-04521A   | CLIP-FITTING LOCK; AW,POM,-,-,5/16inch       | SNA | 1    |
| 14-2 | 3    |       | DA61-04522A   | CLIP-FITTING LOCK; AW,POM,-,-,1/4inch        | SNA | 1    |
| 14-3 | 3    |       | DA62-02429U   | PIPE-WATER LINE;<br>A-TOP08,LLDPE,OD7.93,100 | SNA | 1    |

# 3. Cabinet

## Exploded View





## Parts List

| No.   | Lvl. | Loc.  | Material Code | Description & Specification                  | SNA | Qty. |
|-------|------|-------|---------------|--|-----|------|
| 1     | 2    | A0241 | DA97-12758A   | ASSY COVER HINGE-UPP L;<br>HM10-SEPM,T2.5,15 | SNA | 1    |
| 1-1   | 3    | A0913 | DA63-07032A   | COVER-HINGE UPP L;<br>HM10-SEPM,ABS,T2.5,156 | SA  | 1    |
| 1-2   | 3    | M0289 | DA61-08395A   | PLATE-COVER HINGE;<br>HM10-SEPM,GI-SGCC,T0.4 | SA  | 1    |
| 1-3   | 3    | G0068 | DA34-00043C   | SWITCH REED-ASS'Y; 200VDC,1.5A,-             | SA  | 1    |
| 2     | 2    | A0243 | DA97-06159L   | ASSY COVER HINGE-UPP R; HM10,NOBLE<br>GRAY,A | SNA | 1    |
| 2-1   | 3    | A0244 | DA63-04180C   | COVER HINGE-UPP R;<br>GUGGENHEIM(EXP),ABS,T2 | SA  | 1    |
| 2-2   | 3    | G0068 | DA34-00043C   | SWITCH REED-ASS'Y; 200VDC,1.5A,-             | SA  | 1    |
| 2-3   | 3    | A1108 | DA32-00034B   | SENSOR HUMIDITY;<br>SHT20P,POLARIS,5V,1mA,0  | SA  | 1    |
| 3     | 2    | M0245 | DA97-06158B   | ASSY HINGE LOW-L; GUGGENHEIM,BLK             | SA  | 1    |
| 3-1   | 3    | A0947 | DA61-04191A   | HINGE-LOW L; GUGGENHEIM,SHP1,T4.5,-,-,-,-    | SNA | 1    |
| 3-2   | 3    | G0556 | DA66-00560B   | CAM HINGE-RISER LOW L;<br>GUGGENHEIM,NY-66,B | SNA | 1    |
| 4     | 2    | M0246 | DA97-06157B   | ASSY HINGE LOW-R; GUGGENHEIM,BLK             | SA  | 1    |
| 4-1   | 3    |       | DA61-04190A   | HINGE-LOW R;<br>GUGGENHEIM,SHP1,T4.5,-,-,-,- | SNA | 1    |
| 4-2   | 3    | G0555 | DA66-00559A   | CAM HINGE-RISER LOW R;<br>GUGGENHEIM,NY-66,- | SNA | 1    |
| 5     | 2    | G0520 | DA61-06104B   | BRACKET HINGE-LOW; HM10,AL,43.5,55.4         | SA  | 2    |
| 6     | 2    |       | DA97-12691A   | ASSY CABINET-BOTTOM FRAME;<br>HM10-SEPM      | SNA | 1    |
| 6-1   | 3    | A0577 | DA61-00805F   | FOOT-FRONT;<br>REF-ALL,PP+MSWR10,BLACK,PP_S  | SA  | 2    |
| 6-2   | 3    | M0145 | DA61-04702A   | CASTER-FRONT;<br>AW-PJT,PP,-,35,NTR,35,PP+TP | SA  | 1    |
| 6-3   | 3    | M0146 | DA61-01920A   | CASTER-RIVET; (ZPC2),MSWR10,OD8.0,L58        | SA  | 2    |
| 6-4   | 3    | M0296 | DA64-02472A   | TRIM-BLADE;<br>HERMES-PJT,PVC,-,-,L375.2,NAT | SA  | 1    |
| 7     | 2    |       | DA97-08351A   | ASSY COVER LEG-FRONT; HM10,89.3,910.9        | SA  | 1    |
| 7-1   | 3    | A0807 | DA63-05292A   | COVER LEG-FRONT;<br>HM10,PP,STS-KP,BJ730,NTR | SNA | 1    |
| 8     | 2    | A0529 | DA97-12869B   | ASSY TRAY DRAIN WATER; HM14<br>A+,C160,SPIRA | SA  | 1    |
| 8-1   | 3    | M0349 | DA97-03962E   | ASSY PIPE-SPIRAL COND; HERMES-PJT,VE         | SA  | 1    |
| 8-1-1 | 4    | M0181 | DA63-40128A   | GROMMET-SUB COND; -,NBR,-,-,-,-,-,DARK-      | SNA | 2    |
| 8-2   | 3    | M0116 | DA97-12842A   | ASSY SUPPORT-CIRCUIT MOTOR;<br>HM12,160mm FA | SA  | 1    |
| 8-2-1 | 4    |       | DA31-00305C   | MOTOR BLDC-CIRCUIT;<br>DRCP8020LA,1120+-6%,1 | SNA | 1    |

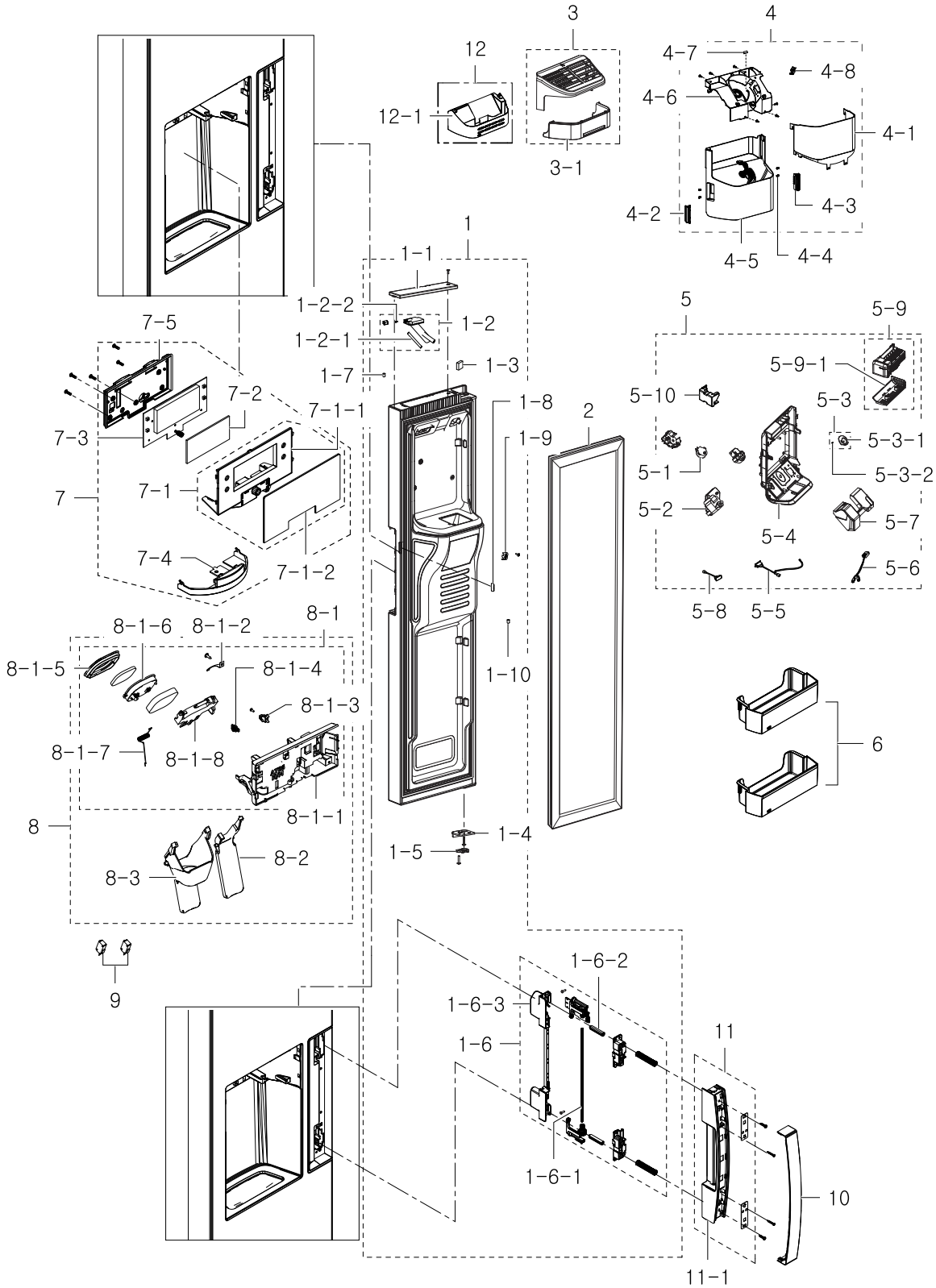
## Exploded Views and Parts List

| No.   | Lvl. | Loc.  | Material Code  | Description & Specification  | SNA | Qty. |
|-------|------|-------|----------------|--|-----|------|
| 8-2-2 | 4    | A0769 | DA31-00320A    | FAN; HM12,ABS+GLASSFIBER,GR-4010/NTR   | SNA | 1    |
| 8-2-3 | 4    | A0907 | DA61-08427A    | SUPPORT-CIRCUIT MOTOR; HM12,ABS,CNTK A-20  | SNA | 1    |
| 8-2-4 | 4    | A0908 | DA61-08428A    | BRACKET-CIRCUIT MOTOR; HM12,ABS,GRAY,ABS_  | SNA | 1    |
| 8-2-5 | 4    | A0218 | DA63-07065A    | GROMMET-MOTOR; HM12,NBR,BLACK  | SNA | 1    |
| 8-2-6 | 4    | A0768 | DA61-20128A    | SPRING ETC-FAN; STS304,PI8.8,ID7.8,OD9.8,  | SNA | 1    |
| 8-3   | 3    |       | DA97-13057B    | ASSY TRAY DRAIN WATER-SUB; HM12 SEPM   | SA  | 1    |
| 9     | 2    | A0738 | DA97-12777A    | ASSY CHASSIS-COMP; HM10,IN_DOOR  | SNA | 1    |
| 9-1   | 3    | M0146 | DA61-01920A    | CASTER-RIVET; (ZPC2),MSWR10,OD8.0,L58  | SA  | 2    |
| 9-2   | 3    | A0527 | DA61-04703A    | CASTER-REAR; AW-PJT,PP,-,35,NTR,35,PP+TPE  | SA  | 2    |
| 9-3   | 3    | G0580 | DA97-12818A    | ASSY CHASSIS-COMP SUB; HM10,IN_DOOR  | SA  | 1    |
| 10    | 2    | Z1180 | ENV4A5GL2J/AK1 | COMPRESSOR,BLDC IPM,15.32CC,220-240V,FAN; COMPRESSOR,BLDC IPM,15.32CC,220-240V,FAN |     | 1    |
| 10-1  | 3    | A0564 | DA60-20008A    | BOLT-HEX; SWCH45K,WHITE,ZPC  | SNA | 4    |
| 10-2  | 3    | A0575 | DA34-00004B    | RELAY PROTECTOR O/L; BK190GL2C,S/T_11.4A,  | SNA | 1    |
| 10-3  | 3    | Z1032 | DA63-01866A    | COVER RELAY; NORYL,T2.0,SSEC,BLACK,HOOK  | SA  | 1    |
| 10-4  | 3    | Z1112 | DA63-02617A    | GROMMET COMP; USP05,EPDM,OD27.0,BLACK  | SNA | 4    |
| 11    | 2    | A0669 | DA62-04309B    | DRYER; C1220T,9g,Capi  | SA  | 1    |
| 12    | 2    | A1100 | DA97-04045A    | ASSY TUBE-DRAIN; ET-PJT,SOFT-PVC   | SA  | 2    |
| 12-1  | 3    | G0070 | DA62-01268A    | TUBE-PVC; A-TOP,SF-PVC,T0.7,OD19.4,L215,-  | SNA | 2    |
| 12-2  | 3    | G0202 | DA63-00951C    | GROMMET-DRAIN HOSE; V2-PJT,NBR,BLACK   | SNA | 2    |
| 13    | 2    |       | DA60-00279A    | FITTING-LOKRING 16; GRAND/SAM/HERMES,11SM  | SA  | 1    |
| 14    | 2    |       | DA60-00280A    | FITTING-LOKRING 33; GRAND/SAM/HERMES,11SM  | SA  | 1    |
| 15    | 2    |       | DA60-00281A    | FITTING-LOKRING 43; GRAND/SAM/HERMES,11SM  | SA  | 1    |
| 16    | 2    | A0523 | DA73-10190U    | PIPE-CONNECT DISC,B; TD-PJT,C1220-T,OD6.3  | SA  | 1    |
| 17    | 2    | A0562 | DA39-20389L    | WIRE HARNESS-EARTH; 1,YELLOW/GREEN,ST 710  | SA  | 1    |
| 18    | 2    | G0585 | DA97-12871A    | ASSY PIPE WATER-LINE; HM12,CAP TUBE , 1/4  | SA  | 1    |
| 19    | 2    |       | DA60-00317A    | FITTING-LOKRING 24; 11SMnPb30k,24  | SA  | 1    |
| 20    | 2    | M0076 | DA97-12759A    | ASSY COVER COMP; HM10-SEPM,SGCC,T0.3   | SA  | 1    |
| 20-1  | 3    | Z1131 | DA63-07209A    | COVER COMP; HM12,GI-SGCC,T0.3  | SNA | 1    |
| 21    | 2    | M0489 | DA27-00041B    | COIL FILTER; SSLF-203AF1,14.0mH,60*82mm,B  | SA  | 1    |

| No.  | Lvl. | Loc.  | Material Code | Description & Specification                  | SNA | Qty. |
|------|------|-------|---------------|--|-----|------|
| 22   | 2    |       | DA97-12874A   | ASSY PIPE-CONNECT; HERMES PJT                | SA  | 1    |
| 22-1 | 3    | M0334 | DA63-40171D   | GROMMET-SUCT PIPE B; RAIL<br>L20,NR,ID5.5,OD | SA  | 1    |
| 23   | 2    | G0089 | DA63-05419A   | COVER PCB-PANEL;<br>HAEMIL_CULLI,GI-SGCC,T0. | SA  | 1    |
| 24   | 2    | A0927 | DA61-08393A   | CASE PCB-PANEL;<br>HM10-SEPM,ABS,NTR,VE-0858 | SA  | 1    |
| 25   | 1    | A0952 | DA92-00406E   | ASSY PCB MAIN; ASSY PCB MAIN,HM12<br>A+,FR-1 | SA  | 1    |
| 26   | 1    | M0309 | DA92-00215A   | ASSY PCB INVERTER; Heamil 11,15,5V,ESSE3     | SA  | 1    |
| 27   | 2    | A0273 | DA39-10115D   | CBF-POWER CORD;<br>UCP-2,250V,10/16A,L2100,- | SA  | 1    |
| 28   | 2    | M0286 | DA61-04188B   | HINGE-UPP L;<br>GUGGENHEIM(EXP),SHP1,T3.0,-, | SA  | 1    |
| 29   | 2    | A0813 | DA61-04189B   | HINGE-UPP R;<br>GUGGENHEIM(EXP),SHP1,T3.0,-, | SA  | 1    |
| 30   | 2    | M0315 | DA97-07827J   | ASSY VALVE WATER; HM10,NO FLOW<br>SENSOR, 22 | SA  | 1    |
| 30-1 | 3    |       | DA61-05859A   | BRACKET-WATER VALVE;<br>HM10,GI-SGCC,T1.6,FL | SNA | 1    |
| 30-2 | 3    | G0527 | DA62-02291E   | VALVE WATER;<br>HM10-INDOOR,SCP1,1.0~8.0K,GR | SNA | 1    |
| 31   | 2    |       | DA67-03471A   | CAP-NUT; HM12,SILICON,14,BLUE                | SNA | 1    |
| 32   | 2    | T0093 | DA60-00258B   | FITTING-TUBE; TUBE FITTING A,PP,1/4'- 1/4    | SA  | 2    |
| 33   | 2    | A0684 | DA97-11752D   | ASSY-INSTALL FILTER; HM10                    | SA  | 1    |
| 33-1 | 3    |       | DA63-04744A   | COVER-CHECK VALVE;<br>HM,PP,HB,GRAY,CNTK-P-1 | SA  | 1    |
| 33-2 | 3    | G0589 | DA65-20110B   | CLAMP; -,NY-66,-,-,DN-5N,PI8.0               | SNA | 8    |
| 33-3 | 3    | Z1222 | DA80-00002F   | WRENCH-SPANNER; AW3,SM45C,Zn PLATING         | SNA | 1    |
| 33-4 | 3    |       | DA61-04522A   | CLIP-FITTING LOCK; AW,POM,-,-,1/4inch        | SNA | 1    |

# 4. Freezer Door

## Exploded View



## Parts List

| No.   | Lvl. | Loc.  | Material Code | Description & Specification                  | SNA | Qty. |
|-------|------|-------|---------------|--|-----|------|
| 1     | 2    | A0051 | DA91-03832M   | ASSY DOOR FOAM FRE; RS7778*<br>7768*,PLATINU | SA  | 1    |
| 1-1   | 5    | M0060 | DA63-04341A   | COVER-CAP DOOR FRE;<br>GUGGENHEIM,ABS,-,W61. | SA  | 1    |
| 1-2   | 5    | M1100 | DA97-06542A   | ASSY PIPE-WATER ICE;<br>GUGGENHEIM(EXP),230V | SA  | 1    |
| 1-2-1 | 6    | G0526 | DA62-01368F   | PIPE-WATER LINE; PERT,4.2,6.35,1000,ORANG    | SA  | 2    |
| 1-2-2 | 6    | M0278 | DA71-20208A   | FIXER-VALVE WATER B;<br>SR-S7180,NY-6,OD6.1, | SA  | 1    |
| 1-3   | 5    | A0534 | DA61-03769A   | MAGNET-A; HERMES,-,5x7x18,-,1200Gauss        | SNA | 1    |
| 1-4   | 5    | M0221 | DA61-04195A   | STOPPER-DOOR L;<br>GUGGENHEIM,SHP1,T3.0,-,-, | SA  | 1    |
| 1-5   | 5    | M0265 | DA66-00558B   | CAM HINGE-RISER UPP L;<br>POLARIS,NY-66,BLAC | SA  | 1    |
| 1-6   | 4    | G0570 | DA97-08290M   | ASSY CASE-HANDLE FRONT;<br>HM10,VERSAILLES S | SA  | 1    |
| 1-6-1 | 5    | G0558 | DA66-00713B   | SHAFT-GEAR EASY; HM10,MSWR10,257,4.5         | SNA | 1    |
| 1-6-2 | 5    | G0225 | DA66-00726B   | SHAFT-HANDLE; HM10,SUM22,OD9                 | SNA | 2    |
| 1-6-3 | 5    | G0550 | DA64-03164A   | HANDLE BASE-EASY;<br>HM10,ABS,27.9,336.1,NOB | SNA | 1    |
| 1-7   | 5    | M0208 | DA73-00211A   | RUBBER-CAP HOSE; i4-PJT,SILICON,GRAY         | SA  | 1    |
| 1-8   | 4    | M0177 | DA63-05588A   | GROMMET-LEVER;<br>HM10-PJT,SILICON,GRAY,HRC  | SA  | 1    |
| 1-9   | 5    |       | DA61-03467B   | FIXER-HOSE; AW-PJT,HIPS,NTR                  | SA  | 1    |
| 1-10  | 5    | M0208 | DA73-00211A   | RUBBER-CAP HOSE; i4-PJT,SILICON,GRAY         | SA  | 1    |
| 2     | 2    | G0573 | DA97-12398F   | ASSY-GASKET DOOR; FRE,<br>HM10,GRAY,L1587,W3 | SA  | 1    |
| 3     | 2    | M0305 | DA97-12817A   | ASSY COVER-ICE MAKER;<br>HM10-SEPM,135.6,299 | SA  | 1    |
| 3-1   | 3    |       | DA63-05291A   | COVER-ICE MAKER B;<br>HM10,SAN,124.3,293.9,N | SA  | 1    |
| 4     | 2    | M0122 | DA97-12772A   | ASSY TRAY-ICE BUCKET; HM10,IN_DOOR           | SA  | 1    |
| 4-1   | 3    | G0552 | DA64-04212A   | WINDOW BUCKET;<br>HM10,PETG,T90G,NATURAL     | SA  | 1    |
| 4-2   | 3    |       | DA66-00587A   | LEVER-BUCKET L;<br>GUGGENHEIM,ABS,29.8,76.7, | SC  | 1    |
| 4-3   | 3    | G0557 | DA66-00588A   | LEVER-BUCKET R;<br>GUGGENHEIM,ABS,29.8,76.7, | SA  | 1    |
| 4-4   | 3    |       | DA61-04378A   | SPRING ETC-BUCKET LEVER;<br>GUGGENHEIM,STS30 | SNA | 4    |
| 4-5   | 3    |       | DA63-04359C   | TRAY ICE-BUCKET FRONT; HM10,ABS,COOL<br>WHIT | SA  | 1    |
| 4-6   | 3    |       | DA63-04354C   | COVER-CRUSHER BUCKET;<br>GUGGENHEIM,ABS,HB,N | SA  | 1    |

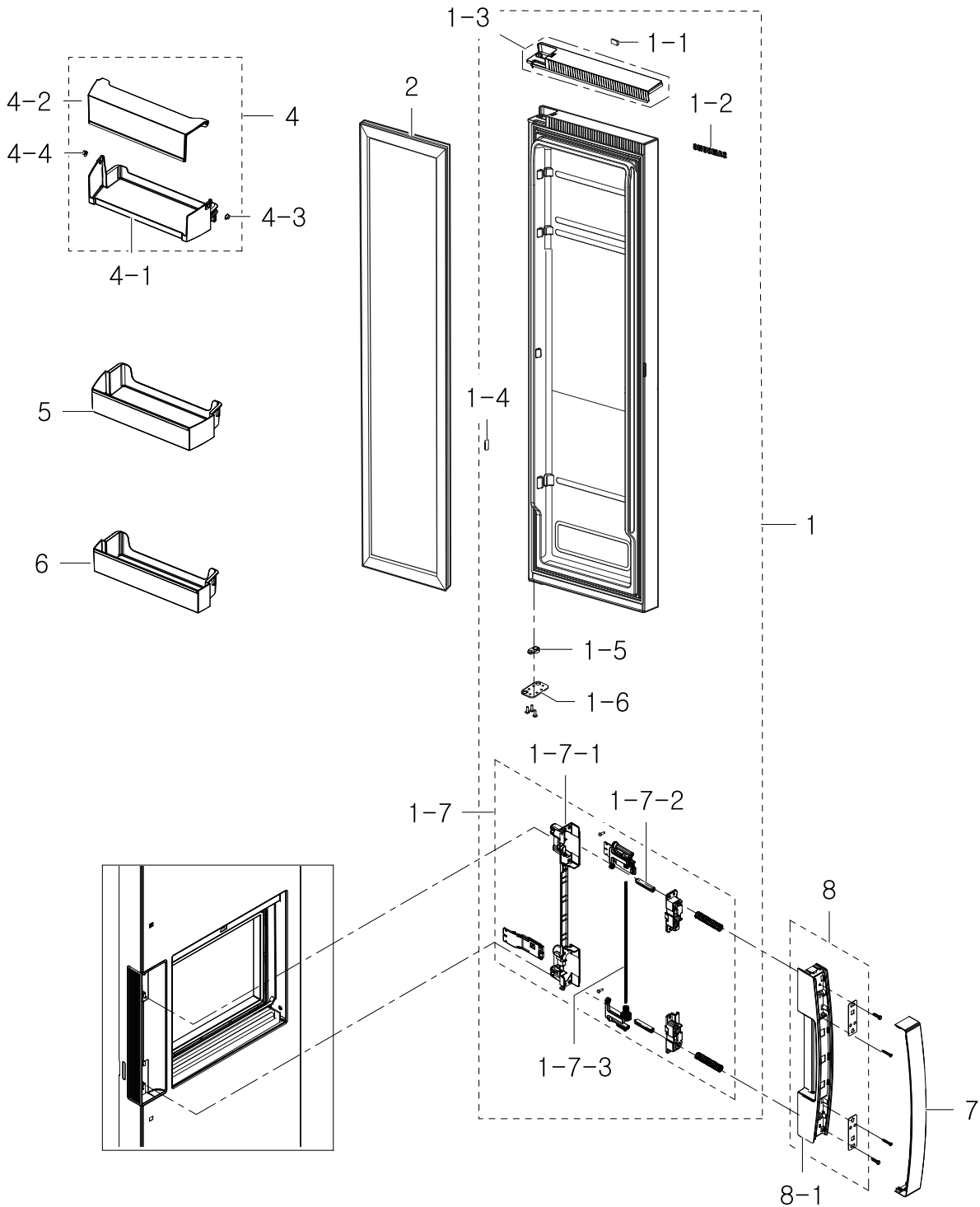
Exploded Views and Parts List

| No.   | Lvl. | Loc.  | Material Code | Description & Specification                  | SNA | Qty. |
|-------|------|-------|---------------|--|-----|------|
| 4-7   | 3    | M0485 | DA61-02738A   | MAGNET-ASS'Y; CORE-PJT,Strontium ferrite,    | SA  | 1    |
| 4-8   | 3    |       | DA65-00051A   | CLAMPER CORE-HELIX;<br>GUGGENHEIM,STS304,-,- | SA  | 1    |
| 5     | 2    | M0299 | DA97-12778A   | ASSY CASE AUGER MOTOR; HM10,IN_DOOR          | SA  | 1    |
| 5-1   | 3    | M0200 | DA31-00079A   | MOTOR GEARED-DISP; 15.2/18.2 rpm,50/60Hz,    | SA  | 1    |
| 5-2   | 3    | M0199 | DA31-00210E   | MOTOR GEARED-AUGER;<br>ISG-3245SSB,150kgf.cm | SA  | 1    |
| 5-3   | 3    | G0572 | DA97-11248A   | ASSY-CAM LEVER CUBE; SSED,INDOOR             | SA  | 1    |
| 5-3-1 | 4    | M0396 | DA66-00589A   | CAM-LEVER CUBE;<br>GUGGENHEIM,POM,T17.9,55   | SNA | 1    |
| 5-3-2 | 4    | A0534 | DA33-10011A   | MAGNET; SSM-390,T2,W5,L7,-,                  | SNA | 1    |
| 5-4   | 3    | M0393 | DA61-04363B   | CASE-AUGER MOTOR; HM10,GGH,ABS,COOL<br>WHITE | SC  | 1    |
| 5-5   | 3    | G0068 | DA34-00043C   | SWITCH REED-ASS'Y; 200VDC,1.5A,-             | SA  | 1    |
| 5-6   | 3    |       | DA96-00036P   | ASSY-WIRE HARNESS SUB;<br>GUGGENHIEM-PJT,100 | SNA | 1    |
| 5-7   | 3    | M0395 | DA63-04362B   | COVER MOTOR-AUGER SUB;<br>HM12,HIPS,HB,COOL  | SA  | 1    |
| 5-8   | 3    | G0564 | DA97-00151B   | SWITCH REED; UL1007 AWG#22,100,Molex<br>2P,2 | SA  | 1    |
| 5-9   | 3    | A0104 | DA97-11092A   | ASSY ICE MAKER; GGH-PJT,220~240V,50Hz        | SA  | 1    |
| 5-9-1 | 4    | M0394 | DA63-04355A   | COVER-HEATER ICE MAKER;<br>GUGGENHEIM,ABS,47 | SNA | 1    |
| 5-10  | 3    |       | DA63-05515A   | COVER-MOTOR AUGER COIL; GGH,ABS,NTR          | SA  | 1    |
| 6     | 2    | M0365 | DA63-07068A   | GUARD-FRE LOW; HM12,GPPS,TP<br>BLUE,HB,165N, | SA  | 2    |
| 7     | 2    | G0282 | DA97-12819A   | ASSY COVER DISP; HM12,DISPENSER, EXP         | SA  | 1    |
| 7-1   | 3    |       | DA97-12811A   | ASSY COVER DISP-SUB;<br>HM12,ACRYL+ABS,ULTRA | SNA | 1    |
| 7-1-1 | 4    | M0027 | DA63-07086A   | COVER DISPENSER; HM12,ABS,Ebony Black        | SNA | 1    |
| 7-1-2 | 4    |       | DA64-04247B   | WINDOW-COVER DISPENSER;<br>HM12,ACRYL,T3.0,M | SNA | 1    |
| 7-2   | 3    | A0566 | DA64-04242A   | INLAY-DISPLAY; HM12-PJT,PET,T0.1,W134,L63    | SA  | 1    |
| 7-3   | 3    | G0069 | DA92-00393A   | ASSY PCB KIT LED; BLUE LED<br>TOUCH*5,DISPEN | SA  | 1    |
| 7-4   | 3    | G0547 | DA64-02982C   | BUTTON-DISPENSER; HM09,ABS,NOBLE<br>GRAY,VER | SNA | 1    |
| 7-5   | 3    | G0540 | DA63-05058B   | COVER-PBA PANEL DISPENSER;<br>HM10,HIPS,NTR  | SNA | 1    |
| 8     | 2    |       | DA97-12776A   | ASSY COVER-PCB PANEL REAR;<br>HM10,IN_DOOR   | SNA | 1    |
| 8-1   | 3    | G0581 | DA97-12836A   | ASSY COVER-PCB PANEL REAR SUB;<br>HM10,IN_DO | SA  | 1    |
| 8-1-1 | 4    | G0532 | DA63-03259C   | COVER PCB-PANEL REAR; A-TOP<br>06,ABS(HG-076 | SNA | 1    |

| No.   | Lvl. | Loc.  | Material Code | Description & Specification                  | SNA | Qty. |
|-------|------|-------|---------------|--|-----|------|
| 8-1-2 | 4    | G0518 | DA61-01616A   | SPRING ETC-LEVER DISP WATER;<br>AD,STS304,-, | SNA | 1    |
| 8-1-3 | 4    |       | DA61-01868B   | BRACKET-OIL DAMPER; ABS,AD,-,-,-,NTR,-       | SNA | 1    |
| 8-1-4 | 4    |       | DA61-01869A   | OIL DAMPER; AD,PC+POM,120g/Cm,OD15           | SNA | 1    |
| 8-1-5 | 4    | G0530 | DA63-01972A   | GASKET-COVER ICE ROUTE;<br>AD,SILICON,T1.5,- | SNA | 1    |
| 8-1-6 | 4    | G0529 | DA63-01971B   | COVER-ICE ROUTE B; AD,ABS,-,-,-,-,NATUR      | SNA | 1    |
| 8-1-7 | 4    | M0216 | DA61-01651A   | SPRING ETC-COVER ICE ROUTE;<br>AD,STS304,1.0 | SNA | 1    |
| 8-1-8 | 4    | G0528 | DA63-01970A   | COVER-ICE ROUTE A; AD,ABS,T2.5,-,-,-,-,BL    | SNA | 1    |
| 8-2   | 3    |       | DA66-00685A   | LEVER-DISPENSER WATER; HM09,SAN,NTR          | SA  | 1    |
| 8-3   | 3    |       | DA66-00684A   | LEVER-DISPENSER ICE; HM09,SAN,NTR            | SA  | 1    |
| 9     | 2    | A0842 | DA34-00011B   | SWITCH-MICRO; 125/250V,16A,200gf,SPST-NO     | SA  | 2    |
| 10    | 2    | G0551 | DA64-03166C   | TRIM-HANDLE; HM10,A6063,VERSAILLES<br>STS(SC | SA  | 1    |
| 11    | 2    | G0571 | DA97-08521A   | ASSY HANDLE-FRONT; HM10,EASY-HANDLE          | SA  | 1    |
| 11-1  | 3    | G0549 | DA64-03163A   | HANDLE-FRONT EASY;<br>HM10,ABS,40.3,352,NOBL | SNA | 1    |
| 12    | 2    |       | DA97-15090B   | ASSY GUARD-FRE UP; HM12                      | SA  | 1    |
| 12-1  | 3    | A0623 | DA63-07057A   | GUARD FRE-UPP; HM10,HIPS,T1.0,COOL<br>WHITE, | SA  | 1    |

# 5. Fridge Door

## Exploded View





## Parts List

| No.   | Lvl. | Loc.  | Material Code | Description & Specification                  | SNA | Qty. |
|-------|------|-------|---------------|--|-----|------|
| 1     | 2    | A0052 | DA91-03855K   | ASSY DOOR FOAM REF; HM10-U<br>OPTION,PLATINU | SA  | 1    |
| 1-1   | 5    | A0534 | DA61-03769A   | MAGNET-A; HERMES,-,5x7x18,-,-,1200Gauss      | SNA | 1    |
| 1-2   | 3    | M0196 | DA64-04021B   | MASCOT; ALL,NI,T0.05,L90                     | SA  | 1    |
| 1-3   | 4    |       | DA97-12789D   | ASSY CAP DOOR REF-UPP;<br>HM10-SEPM,T2.5,W76 | SA  | 1    |
| 1-4   | 4    | M0177 | DA63-05588A   | GROMMET-LEVER;<br>HM10-PJT,SILICON,GRAY,HRC  | SA  | 1    |
| 1-5   | 5    | G0554 | DA66-00557A   | CAM HINGE-RISER UPP R;<br>GUGGENHEIM,NY-66,- | SA  | 1    |
| 1-6   | 5    | M0222 | DA61-04196A   | STOPPER-DOOR R;<br>GUGGENHEIM,SHP1,T3.0,-,-, | SA  | 1    |
| 1-7   | 4    | G0570 | DA97-08290M   | ASSY CASE-HANDLE FRONT;<br>HM10,VERSAILLES S | SA  | 1    |
| 1-7-1 | 5    | G0550 | DA64-03164A   | HANDLE BASE-EASY;<br>HM10,ABS,27.9,336.1,NOB | SNA | 1    |
| 1-7-2 | 5    | G0225 | DA66-00726B   | SHAFT-HANDLE; HM10,SUM22,OD9                 | SNA | 2    |
| 1-7-3 | 5    | G0558 | DA66-00713B   | SHAFT-GEAR EASY; HM10,MSWR10,257,4.5         | SNA | 1    |
| 2     | 2    | G0574 | DA97-12398G   | ASSY-GASKET DOOR;<br>REF,HM10,GRAY,L1587,W46 | SA  | 1    |
| 4     | 2    | M0094 | DA97-12780B   | ASSY GUARD-DAIRY; HM12,GPPS,NTR              | SA  | 1    |
| 4-1   | 3    | A0155 | DA63-07063A   | GUARD-DAIRY; HM12,GPPS,TP<br>BLUE,HB,165N,HI | SA  | 1    |
| 4-2   | 3    | A0660 | DA63-07070B   | COVER GUARD-DAIRY;<br>HM12,GPPS,HB,165N,TP B | SA  | 1    |
| 4-3   | 3    |       | DA67-02920A   | CAP-HINGE DAIRY R; HERMES,POM,NTR            | SA  | 1    |
| 4-4   | 3    |       | DA67-02921A   | CAP-HINGE DAIRY L; HERMES,POM,NTR            | SA  | 1    |
| 5     | 2    |       | DA63-07067A   | GUARD-REF TOP; HM12,GPPS,TP<br>BLUE,HB,165N, | SA  | 2    |
| 6     | 2    | M0369 | DA63-07062A   | GUARD-REF LOW; HM12,GPPS,TP<br>BLUE,HB,165N, | SA  | 1    |
| 7     | 2    | G0551 | DA64-03166C   | TRIM-HANDLE; HM10,A6063,VERSAILLES<br>STS(SC | SA  | 1    |
| 8     | 2    | G0571 | DA97-08521A   | ASSY HANDLE-FRONT; HM10,EASY-HANDLE          | SA  | 1    |
| 8-1   | 3    | G0549 | DA64-03163A   | HANDLE-FRONT EASY;<br>HM10,ABS,40.3,352,NOBL | SNA | 1    |