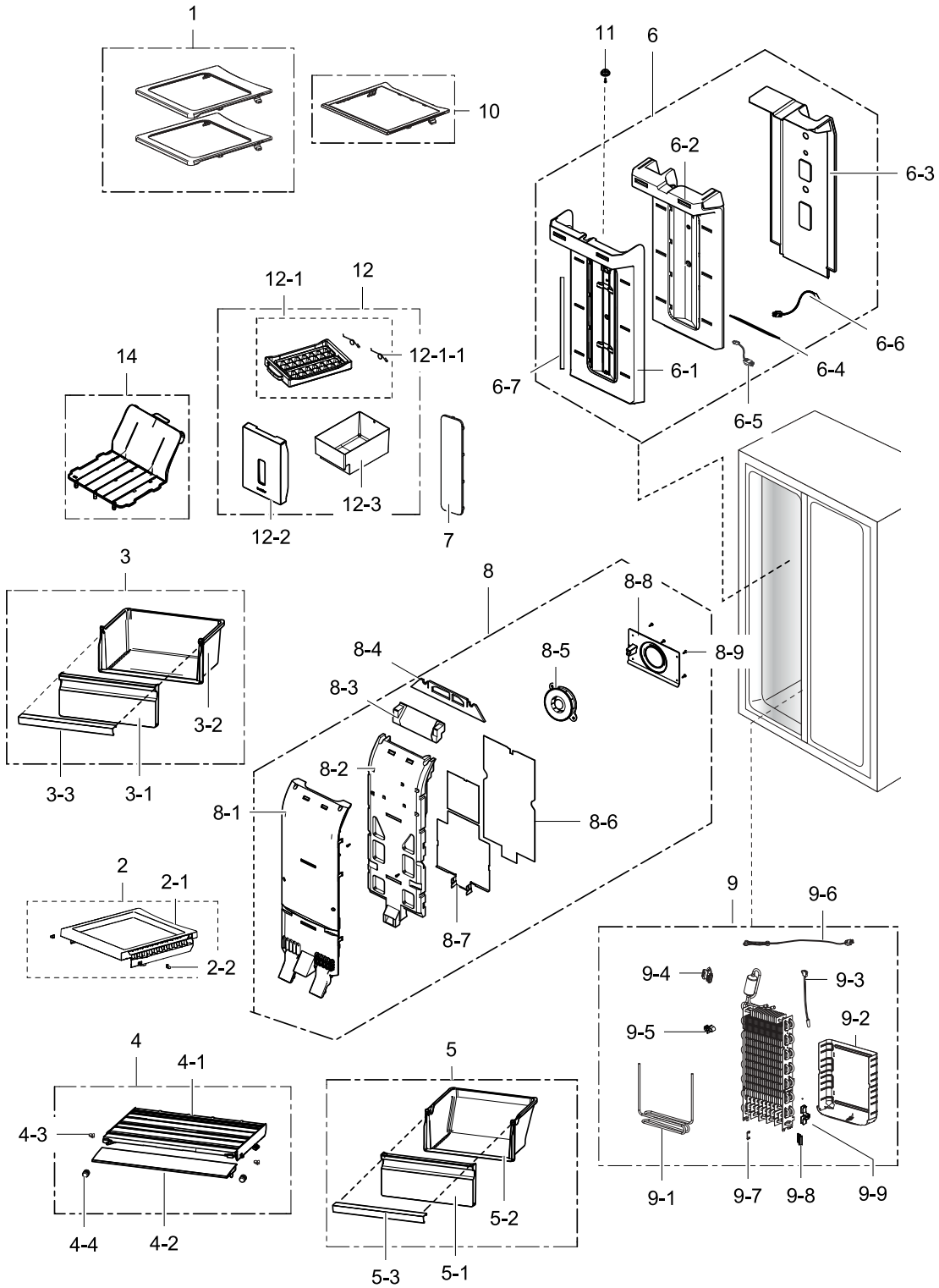


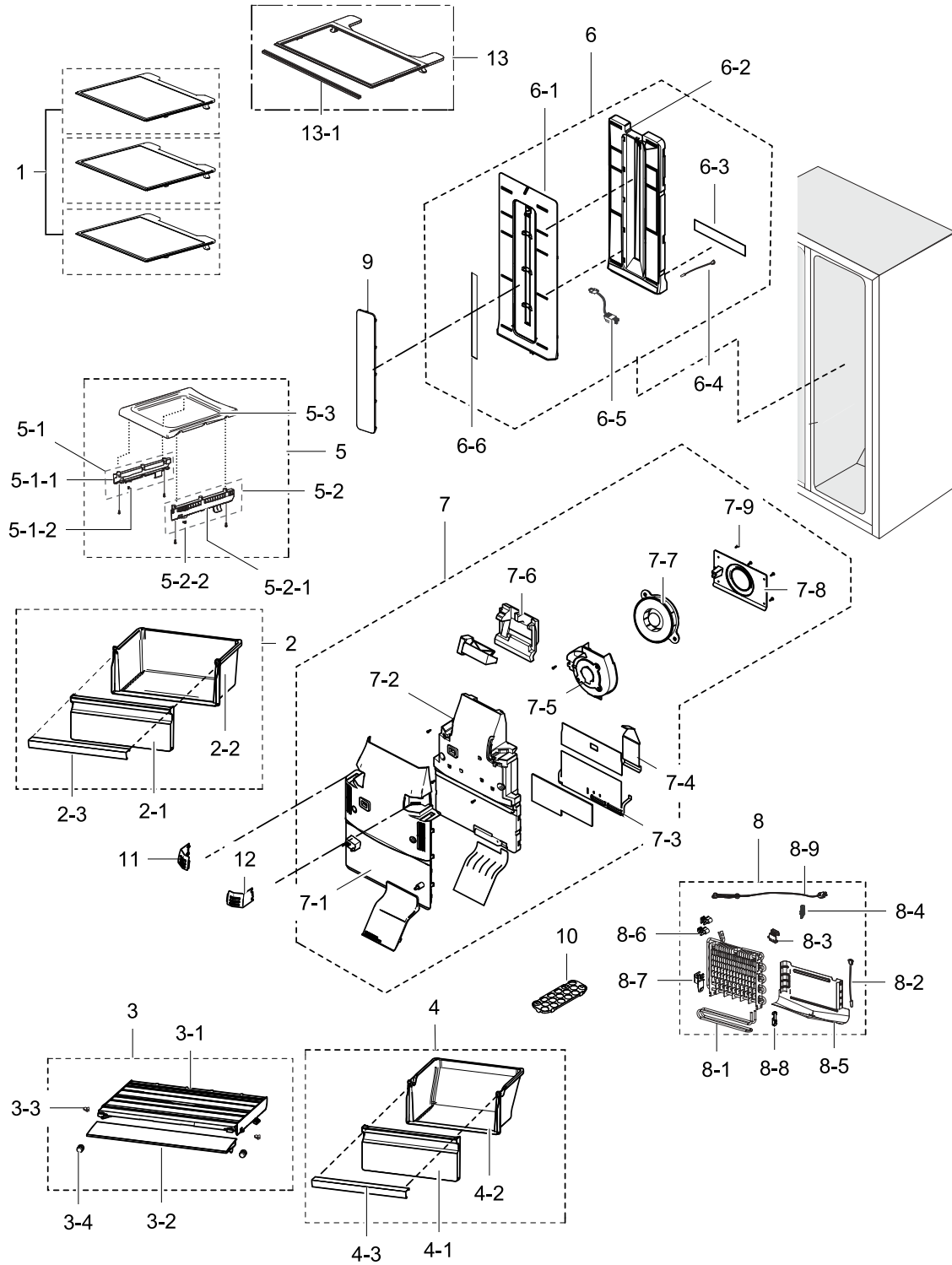
1. Freezer

Exploded View



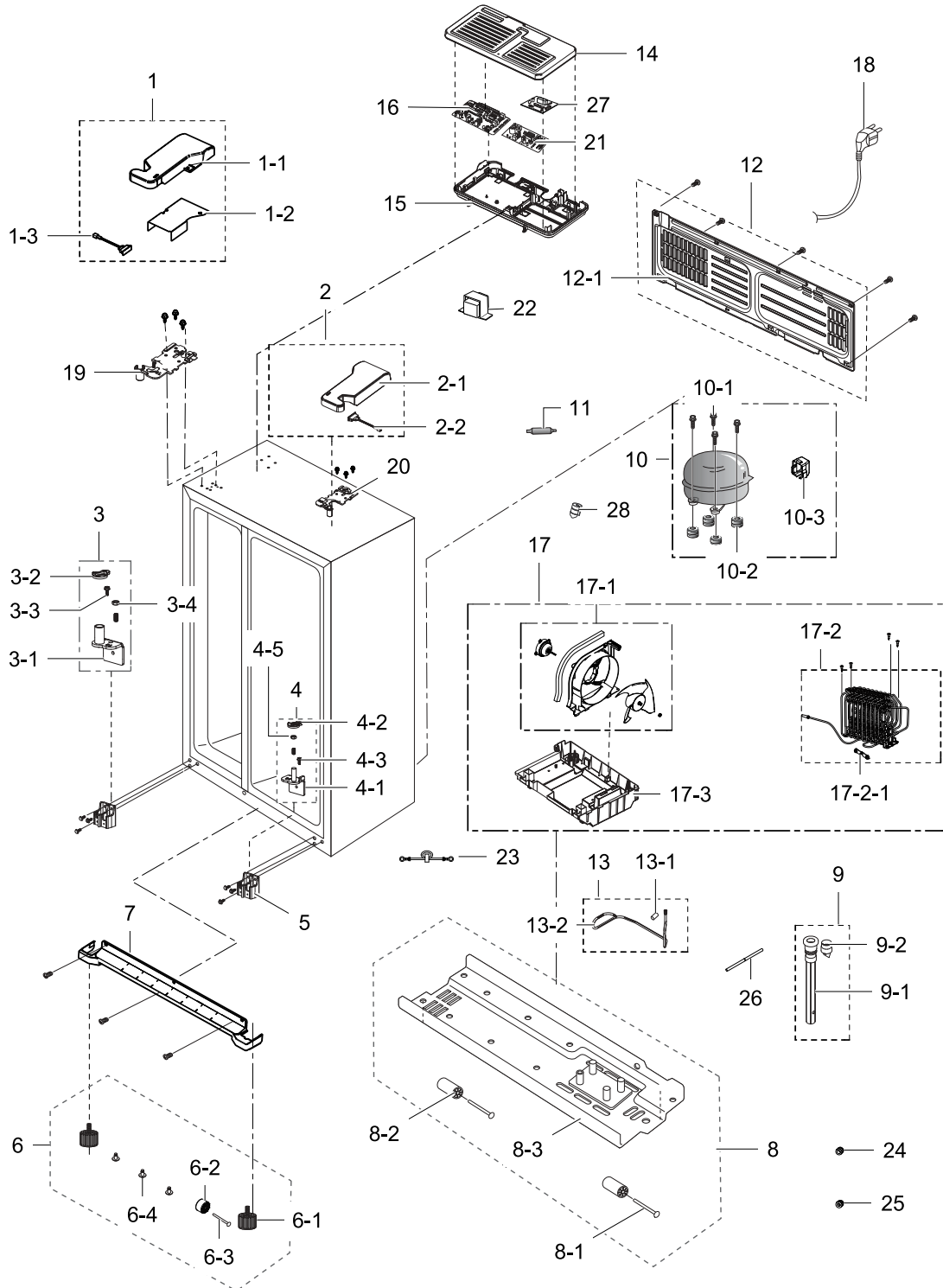
2. Fridge

Exploded View



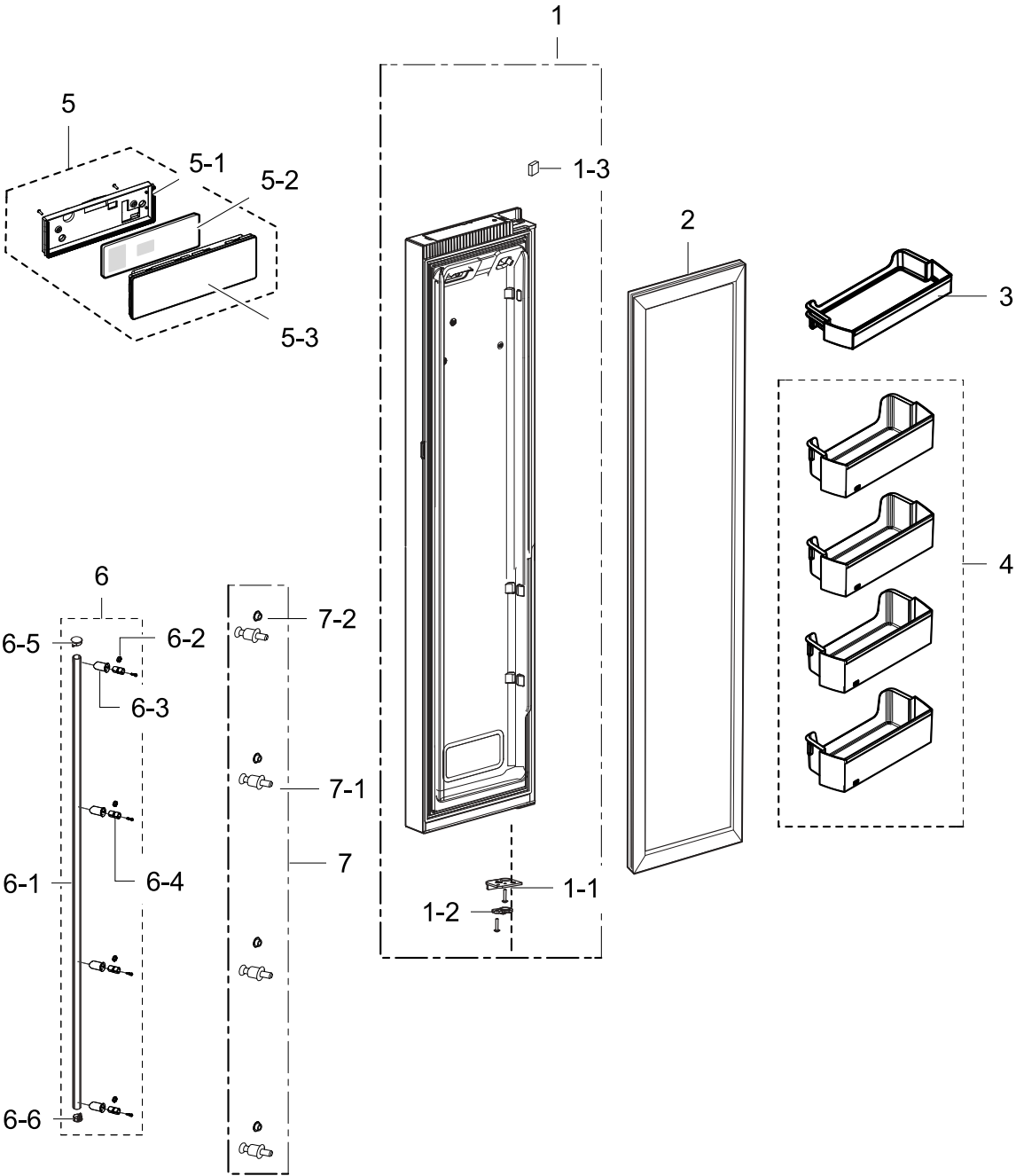
3. Cabinet

Exploded View



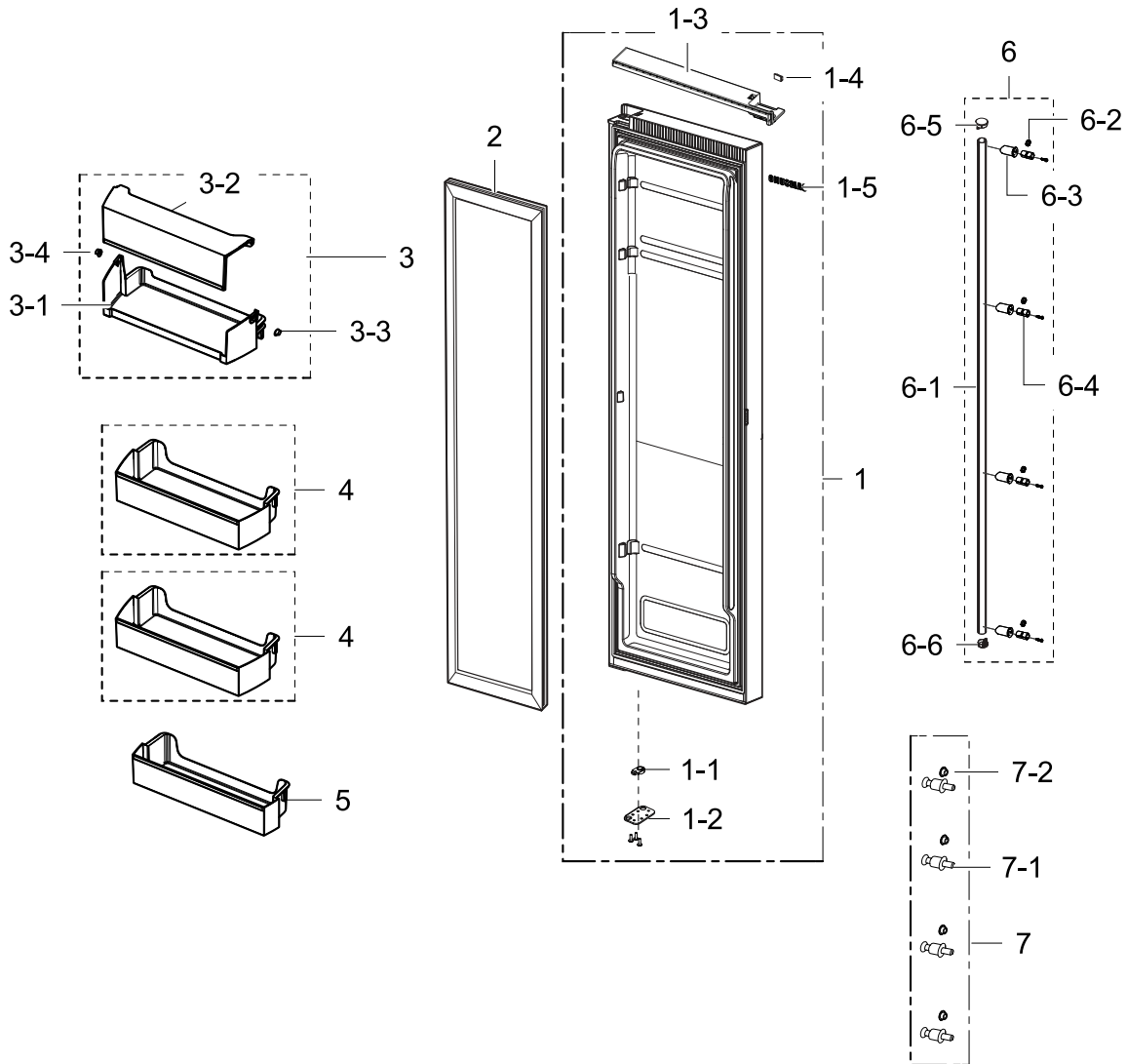
4. Freezer Door

Exploded View



5. Fridge Door

Exploded View



Parts List

No.	Lvl.	Loc.	Material Code	Description & Specification	SNA	Qty.
1	2		DA91-03843M	ASSY DOOR-FOAM REF; 756*/752*(V,L,U,S),SN	SA	1
1-1	5	G0554	DA66-00557A	CAM HINGE-RISER UPP R; GUGGENHEIM,PA66,BL	SA	1
1-2	5	M0222	DA61-04196A	STOPPER-DOOR R; GUGGENHEIM,SHP1,T3.0	SA	1
1-3	4		DA97-12789F	ASSY CAP DOOR REF-UPP; HM10-SEPM,ABS,T2.5	SNA	1
1-4	5	A0534	DA61-03769A	MAGNET-A; HERMES,FERRITE,1600Gauss	SNA	2
1-5	3	M0196	DA64-04021C	MASCOT; ALL,Ni,T0.06,L90	SA	1