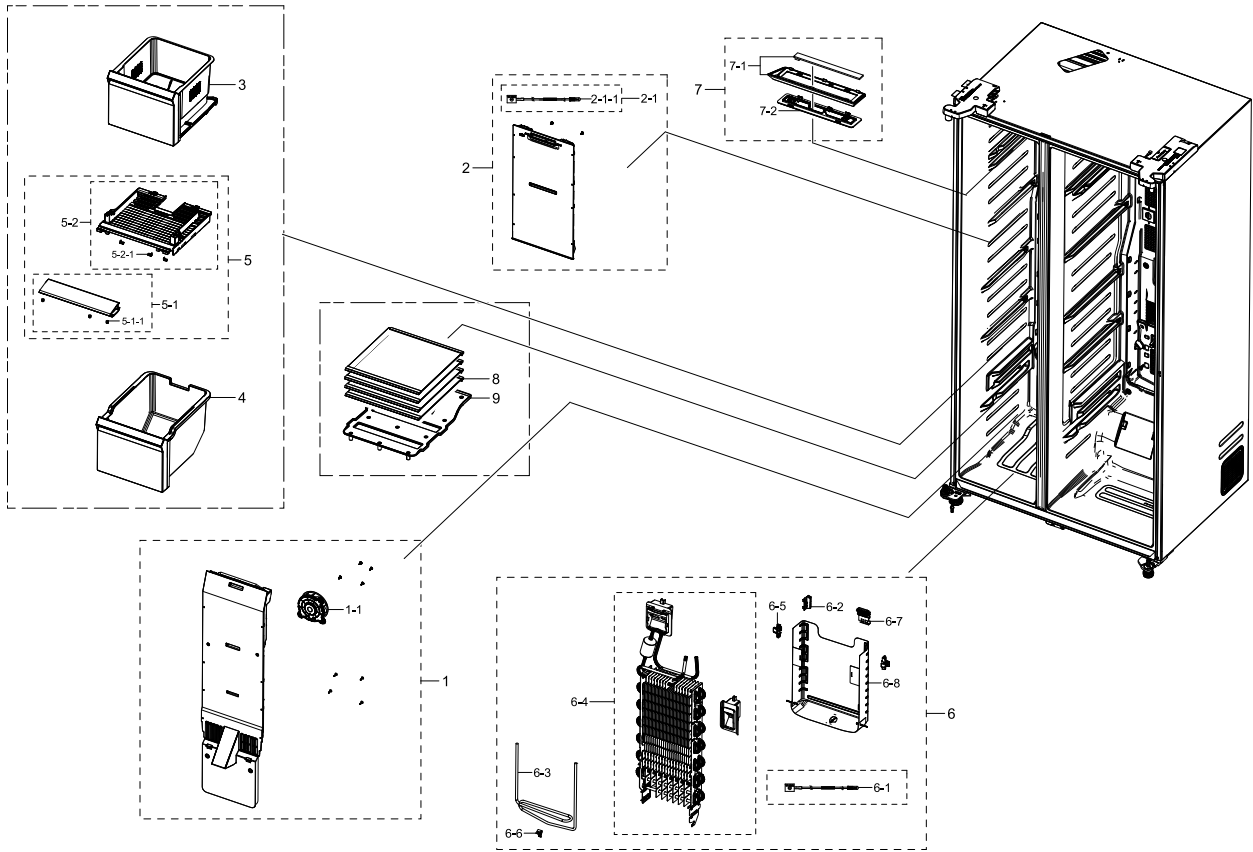


# 1. Freezer

## Exploded View

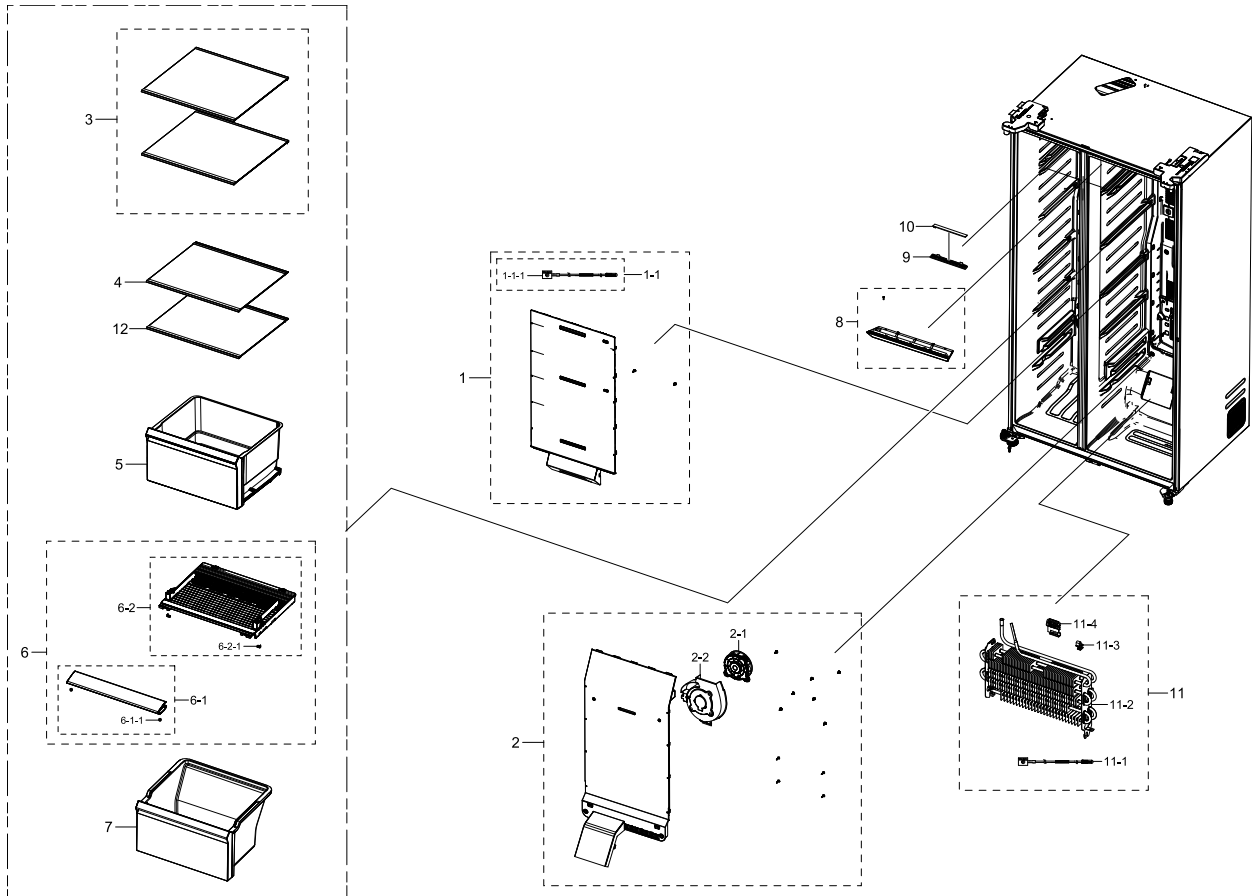


## Parts List

No.	Lvl.	Loc.	Material Code	Description & Specification	SNA	Qty.
1	2	M0303	DA97-19185A	ASSY COVER EVAP-FRE; RS8000NC,2-Door, 3-D	SA	1
1-1	3		DA31-00345A	MOTOR BLDC FAN; AIO-Q7,1795-1994rpm,12V,2	SA	1
2	2	M0304	DA97-19187B	ASSY COVER MULTI-FRE; RS8000NC,In-Door I/	SA	1
2-1	3	M0304	DA97-20247B	ASSY COVER MULTI-FRE; RS8000NC,HIPS,T2.5,	SNA	1
2-1-1	4	A1018	DA32-00070C	SENSOR TEMP; SC41200-021A,250mm,11.73kohm	SA	1
3	2		DA97-19210A	ASSY CASE BASKET-UP; RS8000NC	SA	1
4	2	A1186	DA97-19211A	ASSY CASE BASKET-LOW; RS8000NC	SA	1
5	2		DA97-19217A	ASSY COVER SLIDE-FRE; RS8000NC	SA	1
5-1	3		DA97-19505A	ASSY COVER SLIDE-FRE A; RS8000NC	SNA	1
5-1-1	4		DA63-07113A	GROMMET-COVER SIDE; HM12,Si	SA	2
5-2	3		DA97-19506A	ASSY COVER SLIDE-FRE B; RS8000NC	SNA	1

## 2. Fridge

### Exploded View

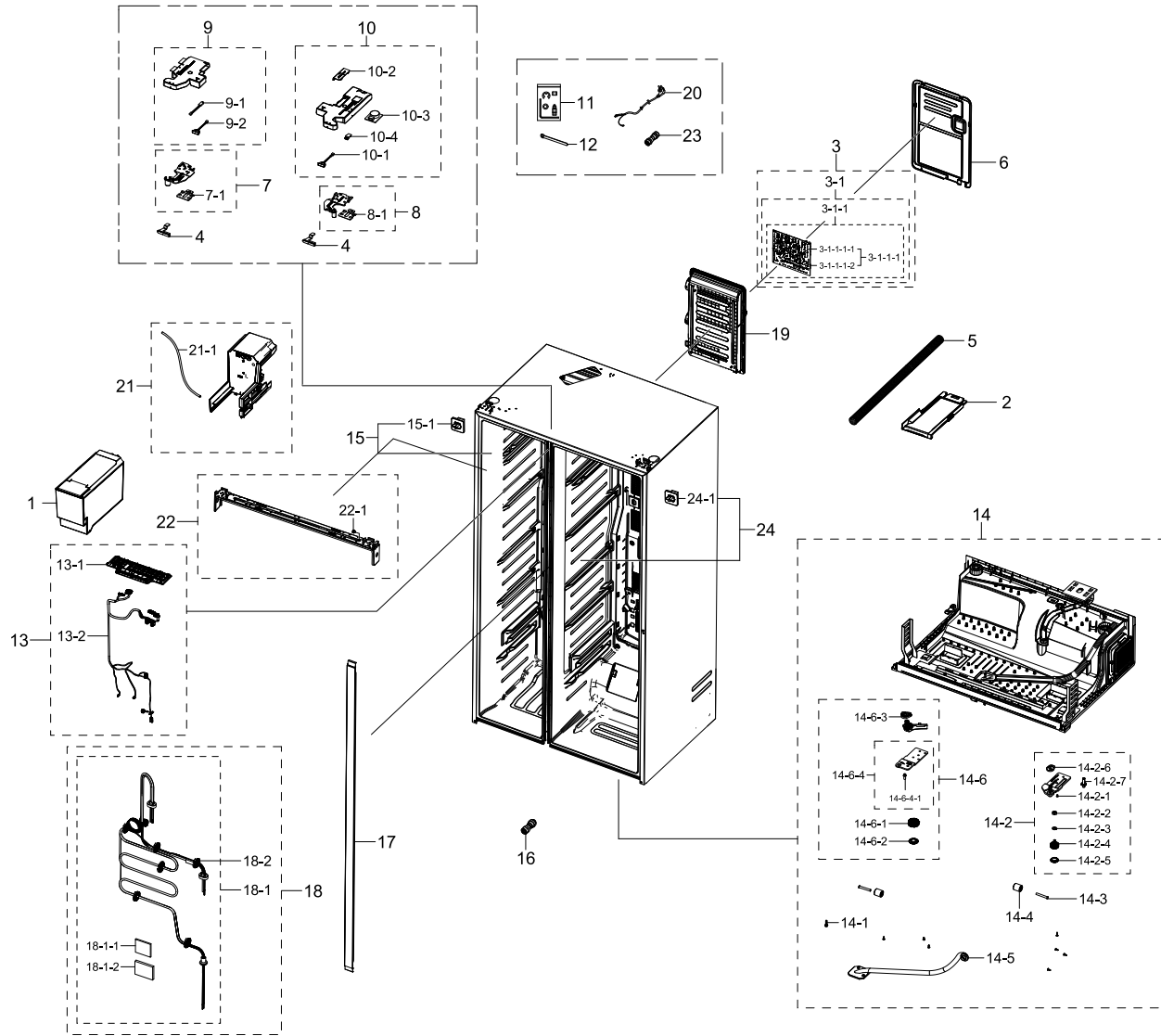


### Parts List

No.	Lvl.	Loc.	Material Code	Description & Specification	SNA	Qty.
1	2	G0239	DA97-19189B	ASSY COVER MULTI-REF; RS8000NC,2-Door, 3-	SA	1
1-1	3	G0239	DA97-20247D	ASSY COVER MULTI-REF; RS8000NC,HIPS,T2.5,	SNA	1
1-1-1	4	A1018	DA32-00070C	SENSOR TEMP; SC41200-021A,250mm,11.73kohm	SA	1
2	2	Z1177	DA97-19188A	ASSY COVER EVAP-REF; RS8000NC,2-Door, 3-D	SA	1
2-1	3		DA31-00345A	MOTOR BLDC FAN; AIO-Q7,1795-1994rpm,12V,2	SA	1
2-2	3		DA61-08437A	GUIDE AIR-REF; HM12,HIPS,HB,454N,NATURAL,	SA	1
3	2		DA97-19046A	ASSY SHELF-REF UP; RS8000NC	SA	2
4	2		DA97-19047A	ASSY SHELF-REF LOW; RS8000NC	SA	1
5	2		DA97-19214A	ASSY CASE VEG-UP; RS8000NC	SA	1

# 3. Assy Cabinet

## Exploded View

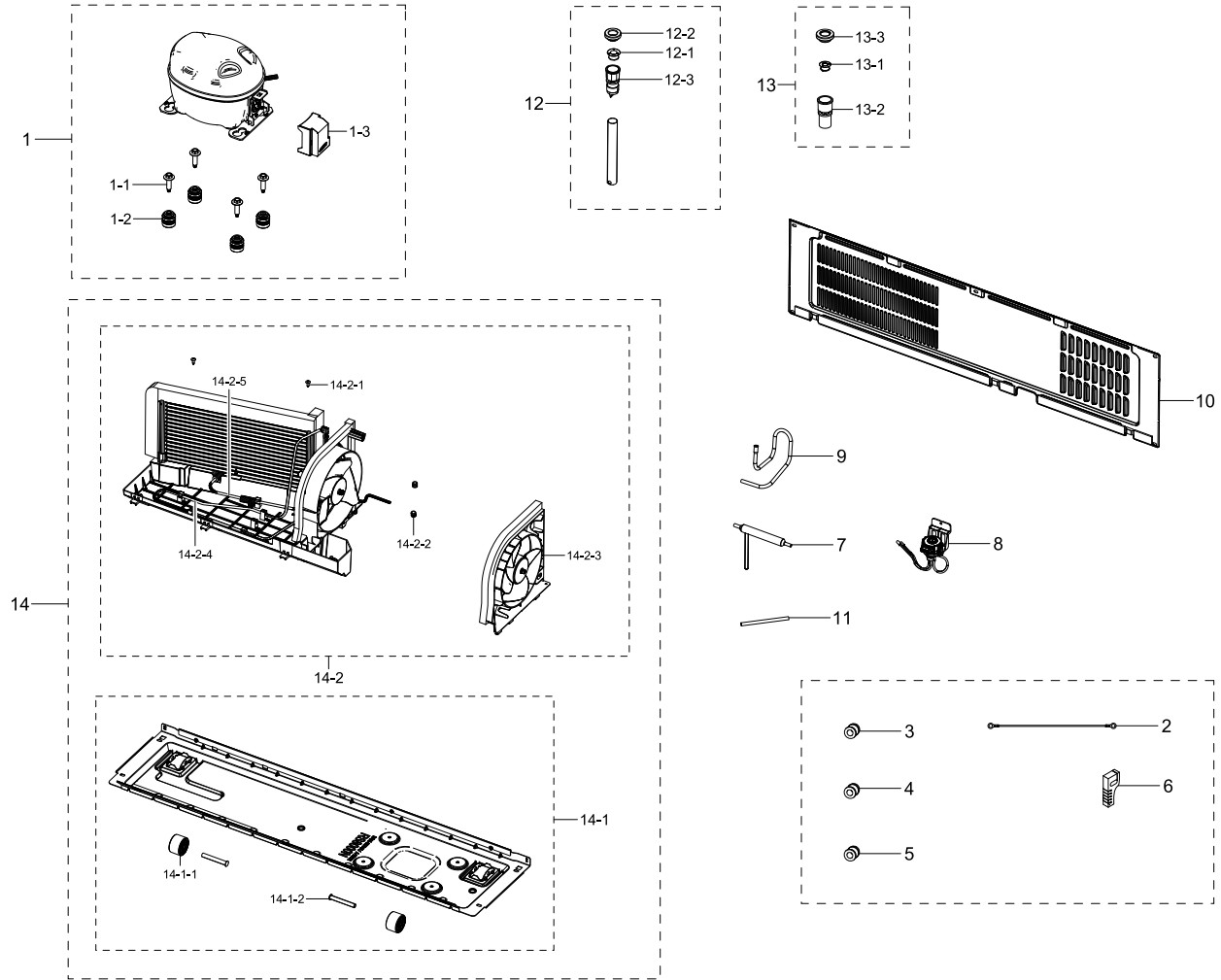


## Parts List

No.	Lvl.	Loc.	Material Code	Description & Specification	SNA	Qty.
1	2	M0042	DA97-15758A	ASSY TANK WATER; FSR	SA	1
2	2		DA61-13117A	GUIDE RAIL; RS8000NC,HIPS,COOL WHITE,S834	SA	1
3	1		DA94-05027D	ASSY PCB EEPROM; 0x16,D601,D603,D605,RS80	SA	1
3-1	2	A0952	DA92-01195D	ASSY PCB MAIN; RS8000NC,165*242,220V,REAC	SA	1
3-1-1	3		DA94-05009A	ASSY PCB AUTO; RS8000NC,165*242,Y,220V,RE	SNA	1

# 4. Assy Cycle

## Exploded View

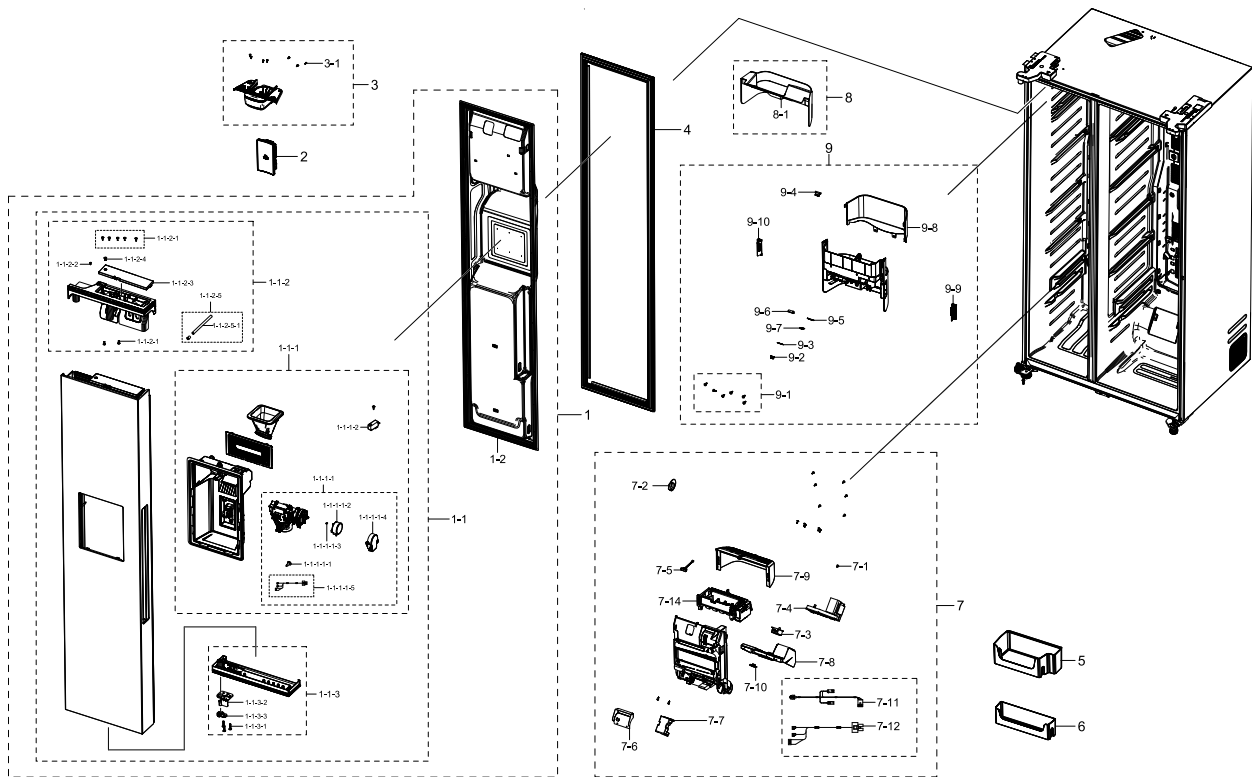


## Parts List

No.	Lvl.	Loc.	Material Code	Description & Specification	SNA	Qty.
1	2		NF54M7151ANAK3	CMP,COMP,REFRIGERATOR,R-600A; CMP,COMP,REFRIGERATOR,R-600A		1
1-1	3	A0564	6011-004061	BOLT-HEX; M6,L43.6,SWRCH10A	SNA	4
1-2	3	Z1112	DA63-02617C	GROMMET COMP; NN34J9902AP,IIR,ALL BLACK,H	SNA	4
1-3	3	Z1032	DA63-06122A	COVER RELAY; MSV,MPPO,T2,BLACK,V-0	SA	1
2	2	A0562	DA39-20389L	ASSY WIRE HARNESS-EARTH; EARTH,ALL,,,,,FR	SA	1
3	2		DA60-00279A	FITTING-LOKRING 16; SUM23,16, 11SMnPb30K	SA	1
4	2		DA60-00280A	FITTING-LOKRING 33; SUM23,33, 11SMnPb30K	SA	1

## 5. Freezer Door

### Exploded View

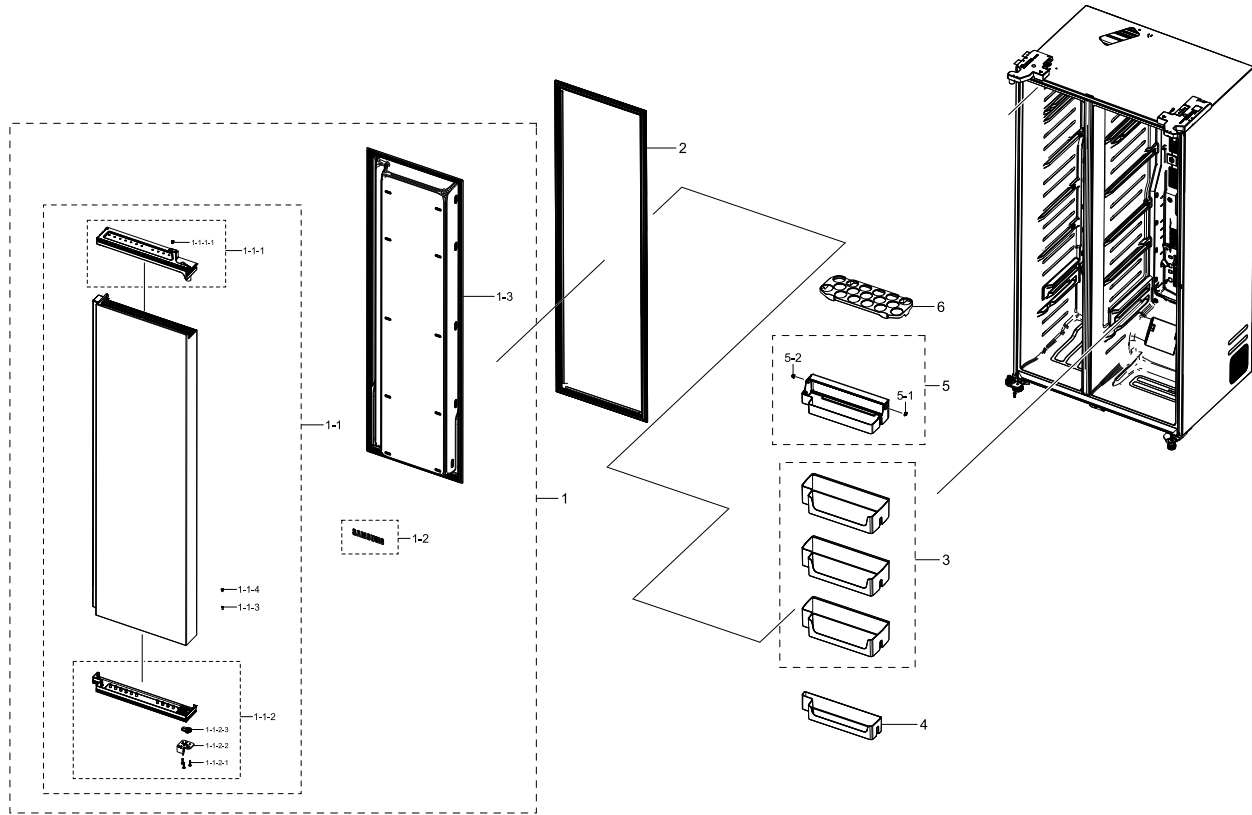


### Parts List

No.	Lvl.	Loc.	Material Code	Description & Specification	SNA	Qty.
1	2	M0063	DA91-04903G	ASSY DOOR FOAM-FRE; RS8000NC,1 Board W/H,	SA	1
1-1	3		DA97-19170L	ASSY PLATE DOOR-FRE; RS8000,DISP, IN DOOR	SNA	1
1-1-1	4		DA97-19228F	ASSY CASE DISPENSER; RS8000NC,BLACK	SNA	1
1-1-1-1	5		DA97-19028A	ASSY CASE ICE ROUTE; RS8000NC,220V	SA	1
1-1-1-1-1	6	G0412	6002-000213	SCREW-TAPPING; TH,+,1,M4,L12,ZPC(WHT),SWR	SNA	2
1-1-1-1-2	6	M0200	DA31-00079A	MOTOR GEARED AC DISP; MVLA15AR11/MCFA182A	SA	1
1-1-1-1-3	6	A0534	DA33-10011A	MAGNET; SSM-390,T2,W5,L7,-,	SNA	1
1-1-1-1-4	6	A1089	DA63-07654A	COVER MOTOR; FSR,HIPS,HB,NATURAL	SNA	1
1-1-1-1-5	6		DA97-00151D	SWITCH REED; UL1007 AWG 22,L180(330)	SNA	1
1-1-1-2	5	A0842	3405-001117	SWITCH-MICRO; 125/250VAC,1A,80gf,SPST-NO	SA	1
1-1-2	4		DA97-19261M	ASSY CAP DOOR-FRE UP; RS8000NC,BLACK,2DOO	SNA	1

# 6. Fridge Door

## Exploded View



## Parts List

No.	Lvl.	Loc.	Material Code	Description & Specification	SNA	Qty.
1	2	Z1100	DA91-04873C	ASSY DOOR FOAM-REF; RS8000NC,B1,2D, REF	SA	1
1-1	3		DA97-19174C	ASSY PLATE DOOR-REF; RS8000NC,2DOOR,RECES	SNA	1
1-1-1	4		DA97-19264E	ASSY CAP DOOR-REF UP; RS8000NC,BLACK,2DOO	SNA	1
1-1-1-1	5		DA67-02795C	CAP-SHAFT HOLE; AW3,ABS,HG-0760GP,SNOW WH	SA	1
1-1-2	4	A0048	DA97-19771A	ASSY CAP DOOR-REF LOW; RS8000NC,BLACK,2DO	SNA	1
1-1-2-1	5	A0848	6001-001377	SCREW-MACHINE; TH,+,M5,L25,ZPC(WHT),SWRCH	SNA	3
1-1-2-2	5	A1017	DA61-07526A	STOPPER-DOOR REF LOW; POLARIS,PO-SPHC,T4.	SA	1
1-1-2-3	5	G0554	DA66-00557A	CAM HINGE-RISER UPP R; GUGGENHEIM,PA66,BL	SA	1