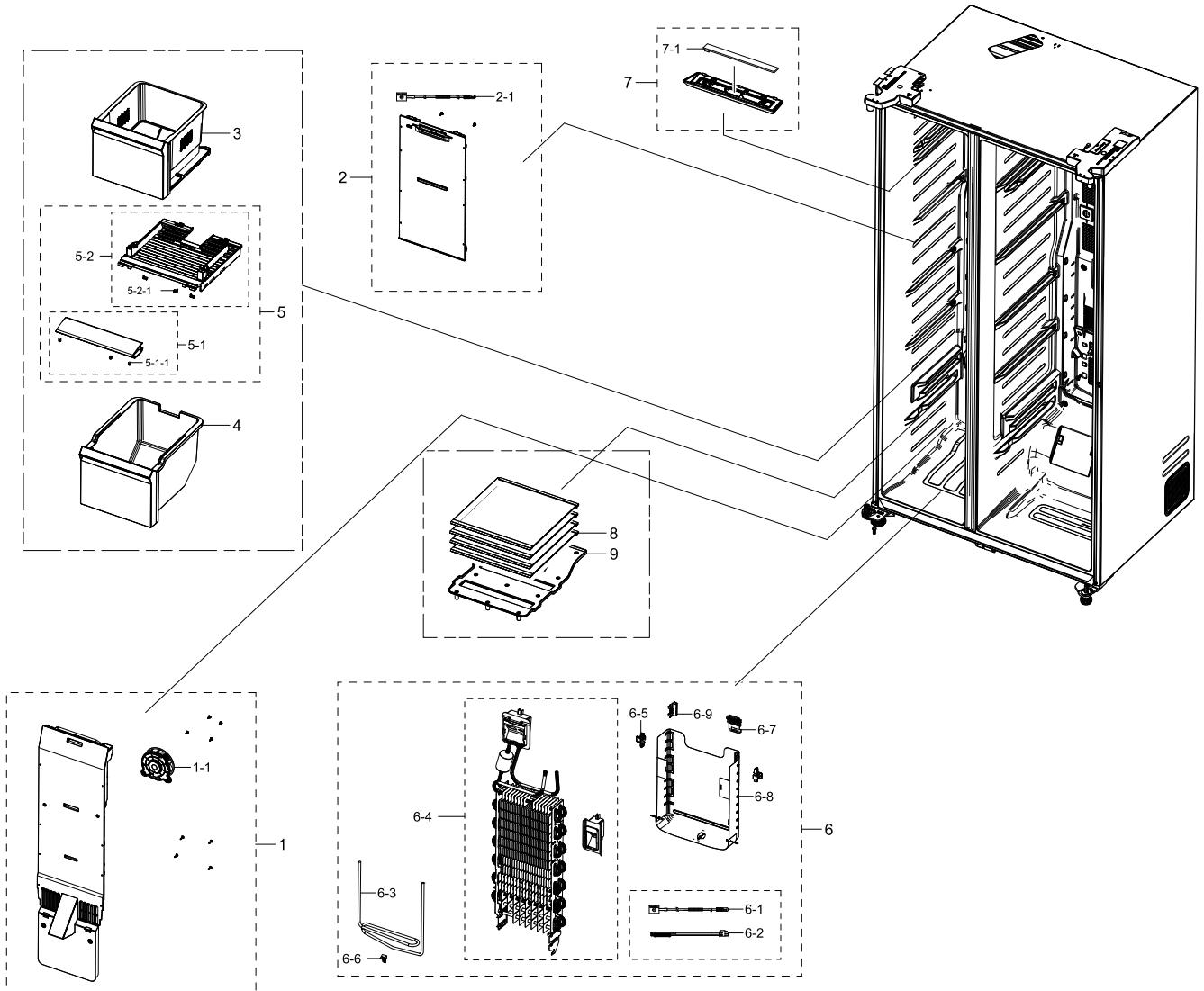


1. RS68N8241S9/EF FREEZER

Exploded View



Parts List

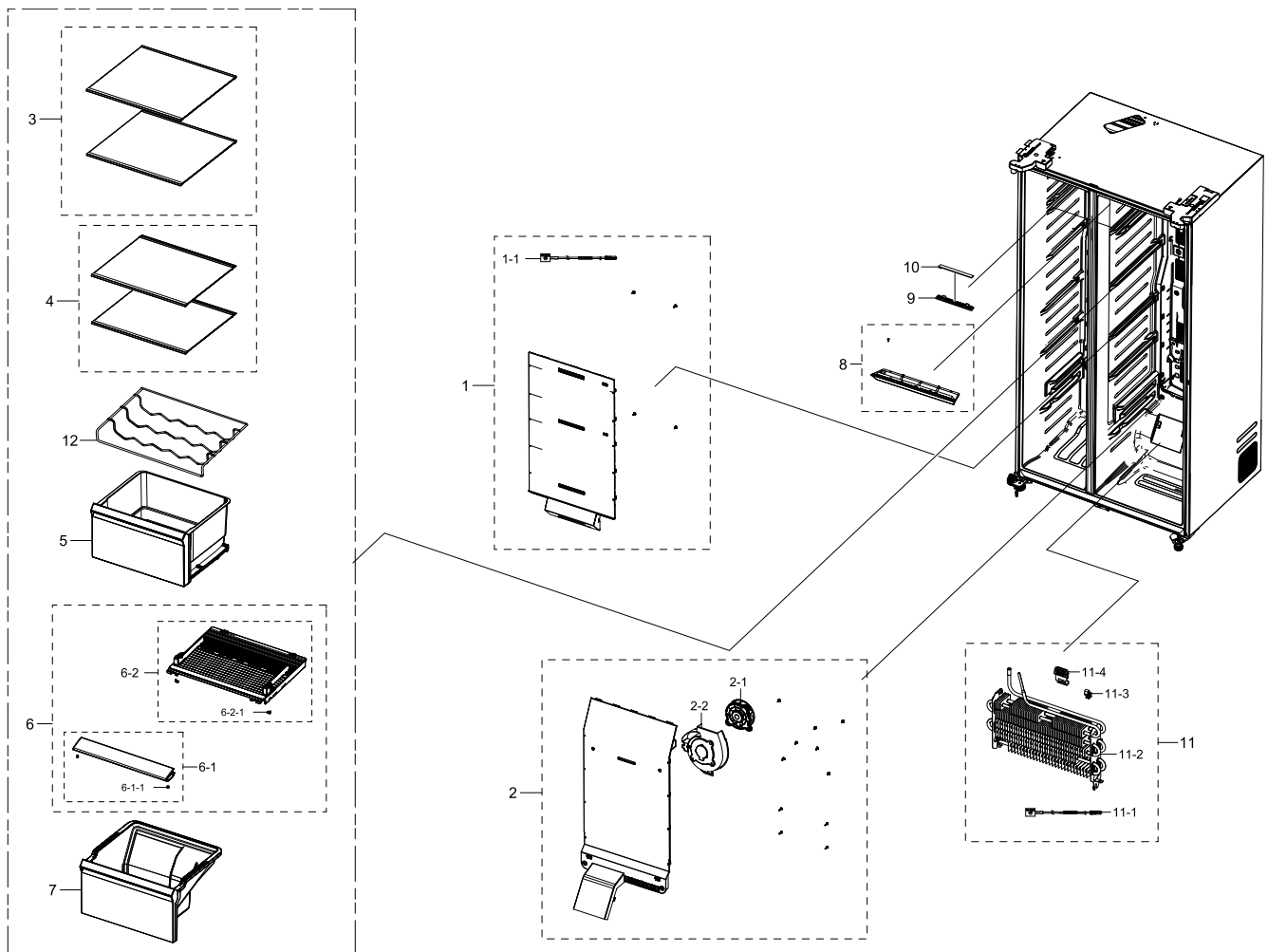
| No. | Lvl. | Loc. | Material Code | Description & Specification | SNA | Qty. |
|-----|------|-------|---------------|--|-----|------|
| 1 | 2 | M0303 | DA97-19185A | ASSY COVER EVAP-FRE; RS8000NC,2-Door, 3-D | SA | 1 |
| 1-1 | 3 | | DA31-00345A | MOTOR BLDC FAN; AIO-Q7,1795-1994rpm,12V,2 | SA | 2 |
| 2 | 2 | M0304 | DA97-19187A | ASSY COVER MULTI-FRE; RS8000NC,In-Door I/ | SA | 1 |
| 2-1 | 3 | A1018 | DA32-00070C | SENSOR TEMP; SC41200-021A,250mm,11.73kohm | SA | 2 |
| 3 | 2 | | DA97-19210B | ASSY CASE BASKET-UP; RS8000NC,Stamping | SA | 1 |
| 4 | 2 | A1186 | DA97-19211B | ASSY CASE BASKET-LOW; RS8000NC,Stamping | SA | 1 |

Exploded Views and Parts List

| No. | Lvl. | Loc. | Material Code | Description & Specification | SNA | Qty. |
|-------|------|-------|---------------|--|-----|------|
| 5 | 2 | | DA97-19217A | ASSY COVER SLIDE-FRE; RS8000NC | SA | 1 |
| 5-1 | 3 | | DA97-19505A | ASSY COVER SLIDE-FRE A; RS8000NC | SNA | 1 |
| 5-1-1 | 4 | | DA63-07113A | GROMMET-COVER SIDE; HM12,SI,Transparency | SA | 4 |
| 5-2 | 3 | | DA97-19506A | ASSY COVER SLIDE-FRE B; RS8000NC | SNA | 1 |
| 5-2-1 | 4 | G0587 | DA63-00202C | GROMMET-RAIL; TD-PJT,PA66,W10.7,COOL WHIT | SA | 4 |
| 6 | 2 | A0163 | DA96-01316A | ASSY EVAP-FRE; RS8000NC,FIN TUBE,230V , 2 | SA | 1 |
| 6-1 | 3 | A1018 | DA32-00070Q | SENSOR TEMP; DKST1329GW,DOUBLE_INSULATION | SA | 2 |
| 6-2 | 3 | A1008 | DA47-00301H | THERMO FUSE-ASSY; AC250V,10A,109~110S | SNA | 1 |
| 6-3 | 3 | | DA47-00501A | HEATER METAL SHEATH; AC230V,RS8000NC FRE, | SA | 1 |
| 6-4 | 3 | | DA59-00618A | EVAPORATOR-FRE; FIN TUBE,RS8000NC,2,A1070 | SNA | 1 |
| 6-5 | 3 | G0205 | DA61-04921B | FIXER-HEATER FRE; HERMES-PJT,PP,NATURAL,V | SA | 2 |
| 6-6 | 3 | | DA61-12385A | PLATE HEATER; BRF8000M,AI,T0.7,A1100P-H14 | SA | 1 |
| 6-7 | 3 | | DA61-12980A | FIXER SENSOR; RS8000NC,PP,T2,NATURAL,BJ75 | SNA | 2 |
| 6-8 | 3 | | DA61-13033A | PLATE DRAIN-FRE; RS8000NC,GL-SAZCC,T0.3 | SNA | 1 |
| 6-9 | 3 | A0744 | DA61-05160A | FIXER FUSE; CULLI_09,PP,T2,NATURAL,HB,BJ7 | SNA | 1 |
| 7 | 2 | | DA97-19445A | ASSY COVER LAMP-FRE; RS8000NC,ASSY,SNOW W | SA | 1 |
| 7-1 | 3 | | DA96-01119A | ASSY LAMP LED; 3EA,FR-4,150*12,WHITE,SMAW | SA | 1 |
| 8 | 2 | | DA97-19321A | ASSY SHELF-FRE LOW; RS8000NC,SILVER TRIM | SA | 4 |
| 9 | 2 | | DA97-19104A | ASSY SHELF-FRE BOTTOM; RS8000NC | SA | 1 |

2. FRIDGE

Exploded View



Parts List

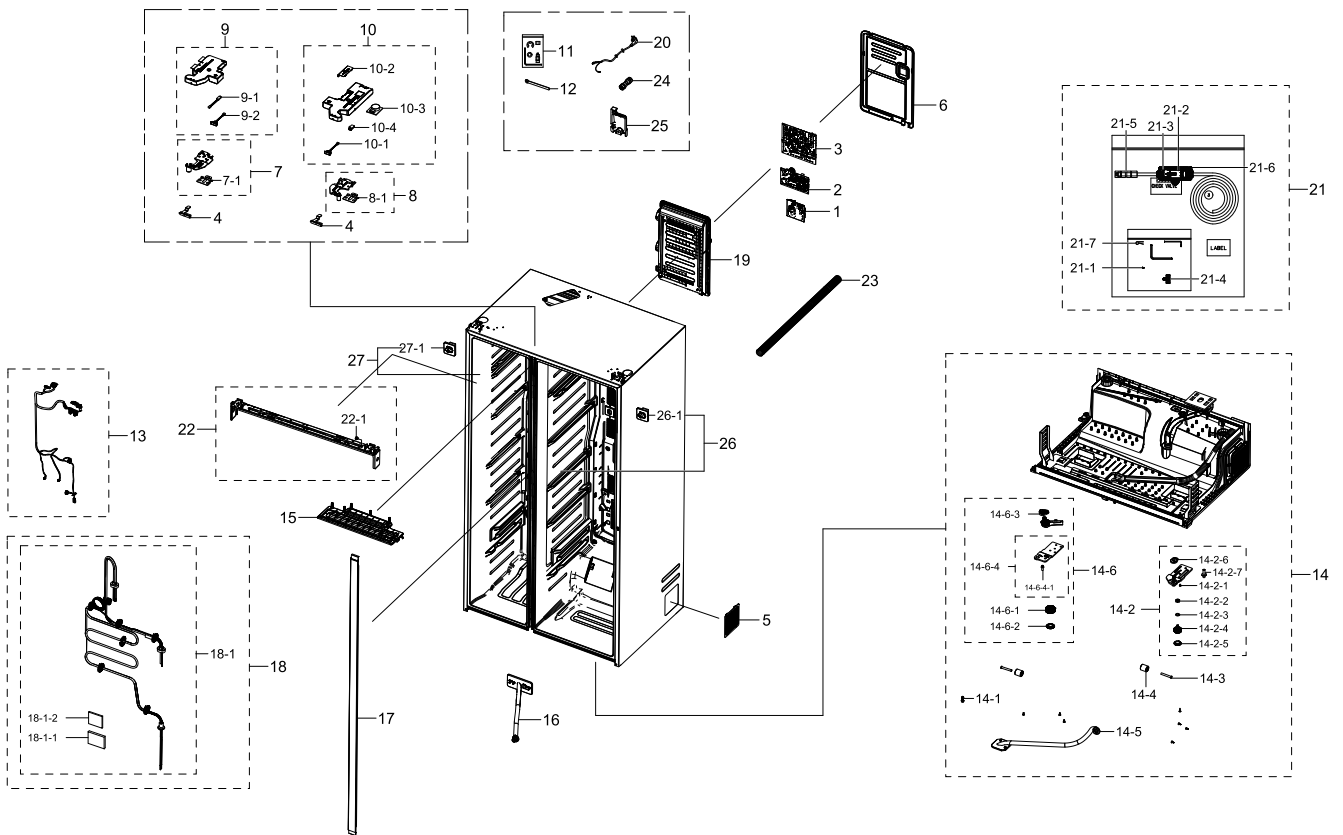
| No. | Lvl. | Loc. | Material Code | Description & Specification | SNA | Qty. |
|-----|------|-------|---------------|--|-----|------|
| 1 | 2 | G0239 | DA97-19189A | ASSY COVER MULTI-REF; RS8000NC,2-Door, 3- | SA | 1 |
| 1-1 | 3 | A1018 | DA32-00070C | SENSOR TEMP; SC41200-021A,250mm,11.73kohm | SA | 2 |
| 2 | 2 | Z1177 | DA97-19188A | ASSY COVER EVAP-REF; RS8000NC,2-Door, 3-D | SA | 1 |
| 2-1 | 3 | | DA31-00345A | MOTOR BLDC FAN; AIO-Q7,1795-1994rpm,12V,2 | SA | 2 |
| 2-2 | 3 | | DA61-08437A | GUIDE AIR-REF; HM12,HIPS,HB,454N,NATURAL, | SA | 1 |
| 3 | 2 | | DA97-19322A | ASSY SHELF-REF UP; RS8000NC,SILVER TRIM | SA | 2 |
| 4 | 2 | | DA97-19323A | ASSY SHELF-REF LOW; RS8000NC,SILVER TRIM | SA | 2 |

Exploded Views and Parts List

| No. | Lvl. | Loc. | Material Code | Description & Specification | SNA | Qty. |
|-------|------|-------|---------------|--|-----|------|
| 5 | 2 | | DA97-19214B | ASSY CASE VEG-UP; RS8000NC,Stamping | SA | 1 |
| 6 | 2 | | DA97-19218A | ASSY COVER SLIDE-REF; RS8000NC | SA | 1 |
| 6-1 | 3 | | DA97-19504A | ASSY COVER SLIDE-REF A; RS8000NC | SNA | 1 |
| 6-1-1 | 4 | | DA63-07113A | GROMMET-COVER SIDE; HM12,SI,Transparency | SA | 4 |
| 6-2 | 3 | | DA97-19507A | ASSY COVER SLIDE-REF B; RS8000NC | SNA | 1 |
| 6-2-1 | 4 | G0587 | DA63-00202C | GROMMET-RAIL; TD-PJT,PA66,W10.7,COOL WHIT | SA | 4 |
| 7 | 2 | M0300 | DA97-19213B | ASSY CASE VEG-LOW; RS8000NC,PLUMBING, Sta | SA | 1 |
| 8 | 2 | A0626 | DA97-19058C | ASSY COVER CONTROL; RS8000NC,PLUMBING | SA | 1 |
| 9 | 2 | | DA63-09405A | COVER-OPTICAL LED; RS8000NC,GPPS,T2,TP BL | SA | 1 |
| 10 | 2 | | DA96-01119B | ASSY LAMP LED; 6,FR-4,150*12,WHITE,SMAW25 | SA | 1 |
| 11 | 2 | A0184 | DA96-01318A | ASSY EVAP-REF; RS8000NC,FIN TUBE,A+,A++ | SA | 1 |
| 11-1 | 3 | A1018 | DA32-00070Q | SENSOR TEMP; DKST1329GW,DOUBLE_INSULATION | SA | 2 |
| 11-2 | 3 | | DA59-00619A | EVAPORATOR-REF; Fin Tube,RS8000NC, Alumit | SNA | 1 |
| 11-3 | 3 | | DA61-06013B | FIXER WIRE; AW3-PJT,PP,T2,NATURAL,HB,BJ75 | SA | 1 |
| 11-4 | 3 | | DA61-12980A | FIXER SENSOR; RS8000NC,PP,T2,NATURAL,BJ75 | SNA | 2 |
| 12 | 2 | G0076 | DA75-00267B | RACK-WINE; BRB6000M,-,MSWR,OD6.0,457.6,29 | SA | 1 |

3. ASSY CABINET

Exploded View



Parts List

| No. | Lvl. | Loc. | Material Code | Description & Specification | SNA | Qty. |
|-----|------|-------|---------------|--|-----|------|
| 1 | 1 | | DA92-00530A | ASSY MODULE; STD #7 SMPS,FOOD SHOWCASE,32 | SA | 1 |
| 2 | 1 | | DA92-00763N | ASSY PCB INVERTER; INVERTER,RS8000,163*98 | SA | 1 |
| 3 | 1 | | DA94-04228R | ASSY PCB EEPROM; 0X46,D601,D603,D607,RS80 | SA | 1 |
| 4 | 2 | | DA61-04932B | FIXER-HINGE; PO-SPHC,T3,Zn coating | SA | 2 |
| 5 | 2 | | DA63-08062A | COVER UNIT; BK,ABS,HB,INOX GRAY,HG-0760GP | SA | 1 |
| 6 | 2 | A0235 | DA97-13181B | ASSY COVER-PBA MAIN; ROMANEE-CONTI,T0.5 | SA | 1 |
| 7 | 2 | | DA97-19132A | ASSY HINGE-UP RIGHT; RS8000NC,BLK | SA | 1 |
| 7-1 | 3 | | DA63-50192A | SHIM-HINGE UPP; PVC,T1.0,T1.0 | SA | 2 |
| 8 | 2 | | DA97-19227A | ASSY HINGE-UP LEFT; RS8000NC,BLK | SA | 1 |
| 8-1 | 3 | | DA63-50192A | SHIM-HINGE UPP; PVC,T1.0,T1.0 | SA | 2 |
| 9 | 2 | | DA97-19247A | ASSY COVER HINGE-UP LEFT; RS8000NC,ABS,2. | SA | 1 |
| 9-1 | 3 | A1108 | DA32-00074A | SENSOR HUMIDITY; 5V,0~100%RH,REF | SA | 1 |

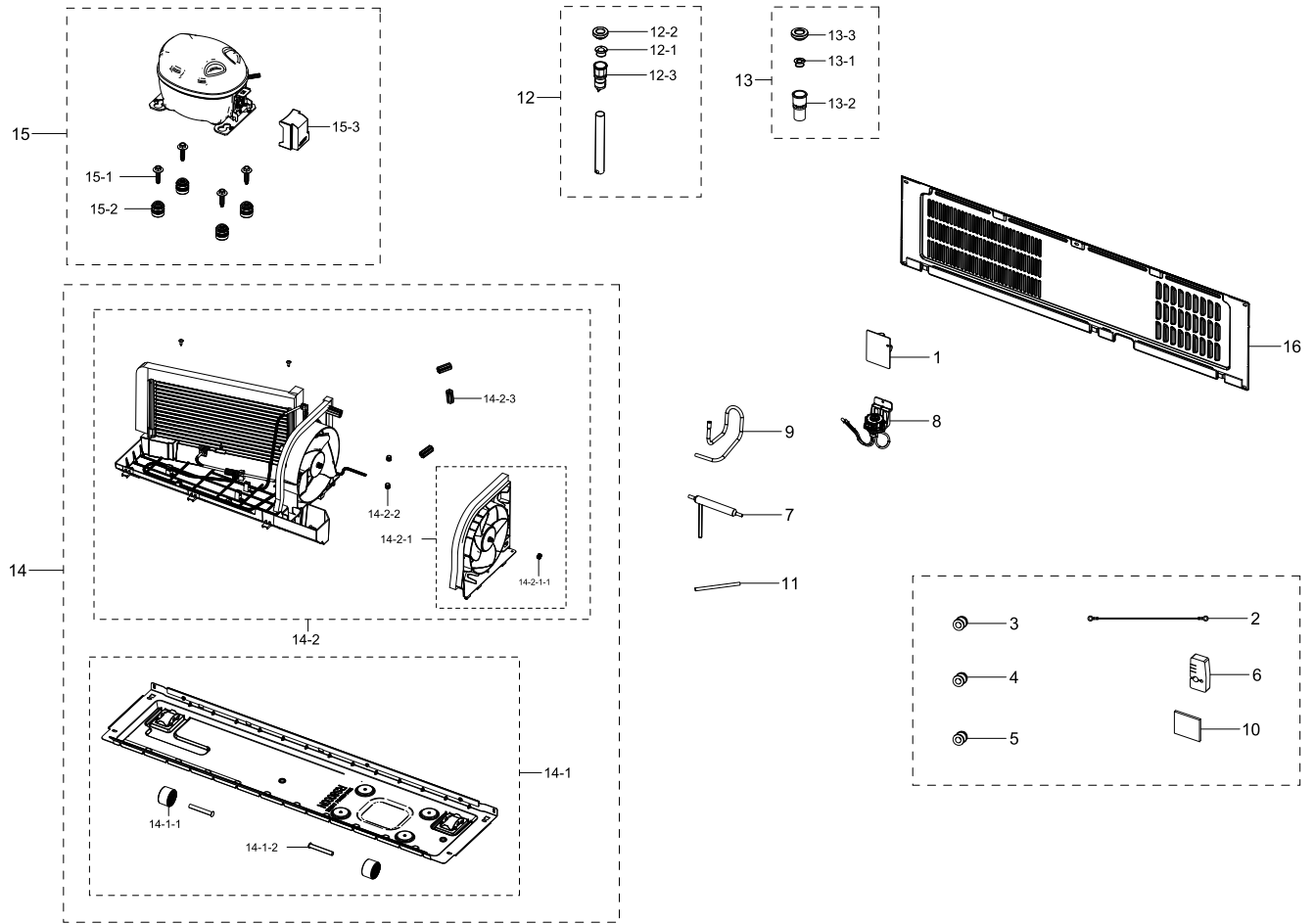
Exploded Views and Parts List

| No. | Lvl. | Loc. | Material Code | Description & Specification | SNA | Qty. |
|--------|------|-------|---------------|--|-----|------|
| 9-2 | 3 | G0068 | DA34-00043A | SWITCH REED; UL1007 AWG 22,100mm,DEM1-B50 | SA | 2 |
| 10 | 2 | | DA97-19248A | ASSY COVER HINGE-UP RIGHT; RS8000NC,ABS,2 | SA | 1 |
| 10-1 | 3 | G0068 | DA34-00043A | SWITCH REED; UL1007 AWG 22,100mm,DEM1-B50 | SA | 2 |
| 10-2 | 3 | | DA63-08442A | COVER HINGE-B; RF9000K,ABS,INOX GRAY,HG-0 | SA | 1 |
| 10-3 | 3 | | DA92-00817A | ASSY MODULE; BUZZER PBA, RB6000K | SA | 1 |
| 10-4 | 3 | | DB92-03769A | ASSY MODULE; ASSY GENDER, ASSY GENDER, CEM | SA | 1 |
| 11 | 2 | | DA99-03490S | ASSY INSTALL-ACCESSORY; VALVE | SNA | 1 |
| 12 | 2 | | DB61-00206A | HOLDER-WIRE; GI-SGCC, BLACK | SA | 1 |
| 13 | 2 | | DA96-01311A | ASSY WIRE HARNESS-MAIN; RS8000NC,2D,DISP_ | SNA | 1 |
| 14 | 2 | | DA97-19254T | ASSY CABI-BOTTOM; RS8000NC, PP SCRAP, URBAN | SNA | 1 |
| 14-1 | 3 | A0564 | DA60-10123C | BOLT-HEX; M6,L24,ZPC(WHT),SWRCH18A,HWH He | SA | 6 |
| 14-2 | 3 | | DA97-19056A | ASSY HINGE-LOW RIGHT; RS8000NC,T7,2DOOR | SA | 1 |
| 14-2-1 | 4 | G0412 | 6002-000217 | SCREW-TAPPING; TH,+,NO,1,M4,L8,ZPC(WHT),S | SA | 1 |
| 14-2-2 | 4 | A0837 | 6021-000171 | NUT-HEXAGON; 3C,M12,SN PLT,STS304 | SNA | 1 |
| 14-2-3 | 4 | | 6031-001297 | WASHER-SPRING; STS304,ID12.3,OD21.5,T2,ZP | SNA | 1 |
| 14-2-4 | 4 | A0577 | DA61-09458A | FOOT-FRONT; PP,I BLACK | SA | 1 |
| 14-2-5 | 4 | A0863 | DA61-09459A | FOOT; PP,I BLACK | SA | 1 |
| 14-2-6 | 4 | | DA66-00891A | CAM-HINGE RISER REF LOW; MONTES ALPHA,PA6 | SA | 1 |
| 14-2-7 | 4 | | DA66-00911C | SHAFT HINGE; POLARIS,SWRCH10A,WHITE,FORGI | SA | 1 |
| 14-3 | 3 | M0146 | DA61-01920A | FIXER-CASTER; ZPC2,SWRCH10A,OD8.0,L58 | SA | 1 |
| 14-4 | 3 | M0145 | DA61-04702A | CASTER-FRONT; AW-PJT,PP,BLACK,PP(M/B 0103 | SA | 1 |
| 14-5 | 3 | | DA61-13001A | GUIDE HOSE-BOTTOM; RS8000NC,HDPE,YR5100B, | SNA | 1 |
| 14-6 | 3 | | DA97-14046B | ASSY HINGE-LOW LEFT; FSR CD,DISPENSER | SA | 1 |
| 14-6-1 | 4 | A0577 | DA61-07972B | FOOT-FRONT; POLARIS,PP,BLACK,INSERT NUT, | SA | 1 |
| 14-6-2 | 4 | A0863 | DA61-07973B | FOOT; POLARIS,PP,BLACK,PP_S | SA | 1 |
| 14-6-3 | 4 | | DA66-01127A | CAM RISER-FRE LOW; FSR CD,PA66,BLACK,KN33 | SNA | 1 |
| 14-6-4 | 4 | | DA61-09275B | HINGE-LOW LEFT; FSR CD,PO-SPHC,T5,DISPENS | SNA | 1 |

| No. | Lvl. | Loc. | Material Code | Description & Specification | SNA | Qty. |
|-----------|------|-------|---------------|--|-----|------|
| 14-6-4-15 | 5 | A0517 | DA66-00793A | SHAFT-LEG FRONT; POLARIS,SWRCH10A,BLACK,E | SA | 1 |
| 15 | 2 | | DA97-19255A | ASSY CASE DISPLAY; RS8000NC,REF | SNA | 1 |
| 16 | 2 | | DA97-19278A | ASSY GUIDE HOSE; RS8000NC,BASIC | SNA | 1 |
| 17 | 2 | | DA97-19288A | ASSY CABI FRAME-MIDDLE FRONT; RS8000NC,T0 | SNA | 1 |
| 18 | 2 | | DA97-19125B | ASSY PIPE SUCTION; RS8000NC,A++,-,,- | SNA | 1 |
| 18-1 | 3 | | DA97-19125A | ASSY PIPE SUCTION; RS8000NC,A++ | SNA | 1 |
| 18-1-1 | 4 | | DA62-01018A | SEAL CUTT-RUBBER; RR2500K,RUBBER,BLACK,T5 | SA | 1 |
| 18-1-2 | 4 | | DA72-60040W | SEAL-CUTT RUBBER; TD-PJT,RUBBER,BLACK,T5, | SA | 1 |
| 19 | 3 | | DA61-10916B | CASE PBA-MAIN; RS8000NC,MPPE,T2,VICTORY D | SNA | 1 |
| 20 | 2 | A0273 | 3903-001015 | POWER CORD-AT; H05VV-F 3x0.75mm2,BLK,EU3F | SA | 1 |
| 21 | 2 | | DA97-11752A | ASSY INSTALL-FILTER; GUGGENHEIM | SA | 1 |
| 21-1 | 3 | G0412 | 6002-000213 | SCREW-TAPPING; TH,+,1,M4,L12,ZPC(WHT),SWR | SNA | 15 |
| 21-2 | 3 | | DA60-00336A | FITTING TUBE; POM,1/4 | SNA | 1 |
| 21-3 | 3 | | DA61-04522A | CLIP-FITTING LOCK; AW,POM | SNA | 6 |
| 21-4 | 3 | | DA62-01329A | PIPE-CONNECT WATER PACKING; ET-PJT,BRASS, | SNA | 1 |
| 21-5 | 3 | | DA62-01378B | VALVE-FITTING PU; AT06,C3604 | SNA | 1 |
| 21-6 | 3 | | DA63-04744A | COVER-CHECK VALVE; HM,PP,HB,GRAY,CNTK-P-1 | SA | 1 |
| 21-7 | 3 | G0589 | DA65-20110B | CABLE CLAMP; PA66 | SNA | 8 |
| 22 | 2 | | DA97-06920Q | ASSY REINF CABI-FLANGE UP; AW-PJT | SNA | 1 |
| 22-1 | 3 | | 6011-001694 | BOLT-ETC; M8,L14.1(3.4),FE-FZB,SCM435,3-B | SNA | 1 |
| 23 | 2 | M0288 | DA62-00160C | PIPE-WATER LINE OUT; AD,TPE,OD13.5,WHITE, | SA | 2 |
| 24 | 2 | T0093 | DA60-00258B | FITTING-TUBE; TUBE FITTING A,PP,1/4,1/4"- | SA | 2 |
| 25 | 2 | M0157 | DA63-00586D | COVER-TUBE FILTER; A-TOP,PP,NATURAL,Flame | SNA | 1 |
| 26 | 2 | | DA94-04188D | ASSY LINER-REF; RS8000NC,2door,Plumbing | SNA | 1 |
| 26-1 | 3 | | DA97-17246A | ASSY GROMMET; POLARIS,POM | SA | 7 |
| 27 | 2 | | DA94-04189A | ASSY LINER-FRE; RS8000NC,In door I/M, Twi | SNA | 1 |
| 27-1 | 3 | | DA97-17246A | ASSY GROMMET; POLARIS,POM | SA | 7 |

4. ASSY CYCLE

Exploded View



Parts List

| No. | Lvl. | Loc. | Material Code | Description & Specification | SNA | Qty. |
|-----|------|-------|---------------|--|-----|------|
| 1 | 2 | M0489 | DA27-00057B | COIL FILTER; 22mH,82x60x1.6mm,4A,680nF,48 | SA | 1 |
| 2 | 2 | A0562 | DA39-20389L | ASSY WIRE HARNESS-EARTH; EARTH,ALL,,,,,FR | SA | 1 |
| 3 | 2 | | DA60-00279A | FITTING-LOKRING 16; SUM23,16, 11SMnPb30K | SA | 1 |
| 4 | 2 | | DA60-00280A | FITTING-LOKRING 33; SUM23,33, 11SMnPb30K | SA | 1 |
| 5 | 2 | | DA60-00281A | FITTING LOKRING; SUM23,ID5.02,11SMnPb30K, | SA | 1 |
| 6 | 2 | | DA62-05304A | SEAL GUIDE PIPE; RB5000J,PE FOAM,T20,FIX | SNA | 1 |
| 7 | 2 | A0669 | DA62-04309A | DRYER; C1220T-H,L137,SINGLE MOUTH,For VAL | SA | 1 |
| 8 | 2 | | DA62-04678B | VALVE STEP; DC12V,MODULE,2WAY,RIGHT/RIGHT | SA | 1 |

| No. | Lvl. | Loc. | Material Code | Description & Specification | SNA | Qty. |
|----------|------|-------|----------------|---|-----|------|
| 9 | 2 | | DA62-05167A | PIPE CONNECT-SUCTION; RS8000NC,Cu,OD6.35, | SA | 1 |
| 10 | 4 | | DA72-60040W | SEAL-CUTT RUBBER; TD-PJT,RUBBER,BLACK,T5, | SA | 1 |
| 11 | 2 | A0523 | DA73-10190U | PIPE-CONNECT DISC,B; ALL,Cu,C1220T,OD6.35 | SA | 1 |
| 12 | 2 | M0067 | DA97-04049D | ASSY CAP-DRAIN; AW,ASSY,-,-,L224.5,-,FIXE | SA | 1 |
| 12-1 | 3 | A0336 | DA61-05021A | FIXER-DRAIN; HAEMIL,PP,T0.6,CARMEN WINE,B | SA | 2 |
| 12-2 | 3 | A0492 | DA67-01301A | CAP-DRAIN; AW4,HIPS,HB,S834S1,NATURAL | SA | 2 |
| 12-3 | 3 | | DA63-02761A | GROMMET-DRAIN; RS18RK,NBR,-,-,-,-,BLK,- | SA | 2 |
| 13 | 2 | | DA97-18856A | ASSY CAP DRAIN; RQ9500M | SA | 1 |
| 13-1 | 3 | A0336 | DA61-05021A | FIXER-DRAIN; HAEMIL,PP,T0.6,CARMEN WINE,B | SA | 2 |
| 13-2 | 3 | | DA63-02761A | GROMMET-DRAIN; RS18RK,NBR,-,-,-,-,BLK,- | SA | 2 |
| 13-3 | 3 | A0492 | DA67-01301A | CAP-DRAIN; AW4,HIPS,HB,S834S1,NATURAL | SA | 2 |
| 14 | 2 | | DA97-19448A | ASSY CHASSIS; RS8000NC | SNA | 1 |
| 14-1 | 3 | A0526 | DA97-19127A | ASSY CHASSIS COMP; RS8000NC,GI-SGCC,1.2 | SA | 1 |
| 14-1-1 | 4 | A0527 | DA61-04703A | CASTER-REAR; AW-PJT,PP,BLACK,PP M/B(0103- | SA | 2 |
| 14-1-2 | 4 | M0212 | DA66-00649B | SHAFT-CASTER; POLARIS,MSWR10,L44,ID8.0,OD | SA | 2 |
| 14-2 | 3 | A0529 | DA97-19128A | ASSY TRAY DRAIN WATER; RS8000NC | SA | 1 |
| 14-2-1 | 4 | M0116 | DA97-17321A | ASSY SUPPORT-CIRCUIT MOTOR; RR7000M,C150Q | SA | 1 |
| 14-2-1-1 | 5 | A0768 | DA61-20128A | SPRING ETC-FAN; STS304,PI8.8,ID7.8,OD9.8, | SNA | 1 |
| 14-2-2 | 4 | | DA60-00321A | FITTING-LOKRING AL 12; ALDC12,LOKRING 5 N | SNA | 2 |
| 14-2-3 | 4 | | DA63-07323A | GROMMET-IMMERSION PIPE B; ROMANEE CONTI,N | SA | 3 |
| 15 | 2 | | NF54M7151ANAK3 | CMP,COMP,REFRIGERATOR,R-600A; CMP,COMP,REFRIGERATOR,R-600A | | 1 |
| 15-1 | 3 | A0564 | 6011-004061 | BOLT-HEX; M6,L43.6,SWRCH10A | SNA | 4 |
| 15-2 | 3 | Z1112 | DA63-02617C | GROMMET COMP; NN34J9902AP,IIR,BLACK,H28.3 | SNA | 4 |
| 15-3 | 3 | Z1032 | DA63-06122A | COVER RELAY; MSV,MPPO,T2,BLACK,V-0 | SA | 1 |
| 16 | 2 | M0076 | DA97-19123A | ASSY COVER COMP; RS8000NC,GI-SGCC,T0.25 | SA | 1 |

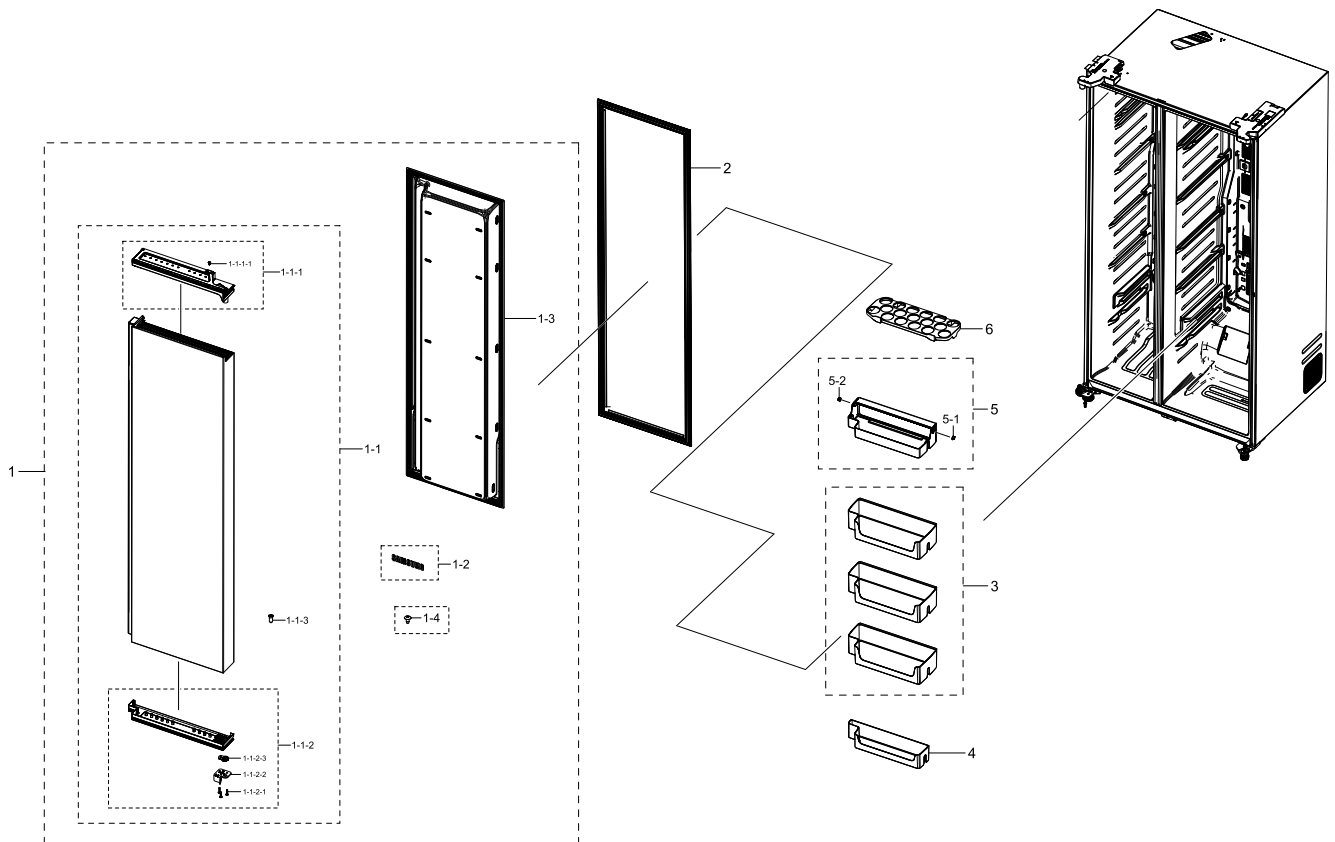
| No. | Lvl. | Loc. | Material Code | Description & Specification | SNA | Qty. |
|------------|------|-------|---------------|--|-----|------|
| 1-1-2 | 4 | | DA97-19261A | ASSY CAP DOOR-FRE UP; RS8000NC,INOX GRAY, | SNA | 1 |
| 1-1-2-1 | 5 | G0412 | 6002-001122 | SCREW-TAPPING; FH,+,NO,1,M4,L14,ZPC(WHT), | SNA | 7 |
| 1-1-2-2 | 5 | G0412 | 6002-001547 | SCREW-TAPPING; FH,+,NO,1,M4,L10,ZPC(WHT), | SA | 1 |
| 1-1-2-3 | 5 | M0060 | DA63-04341A | COVER-CAP DOOR FRE; GUGGENHEIM,ABS,-,W61. | SA | 1 |
| 1-1-2-4 | 5 | | DA67-02795C | CAP-SHAFT HOLE; AW3,ABS,HG-0760GP,COOL WH | SA | 2 |
| 1-1-2-5 | 5 | | DA97-19469A | ASSY PIPE WATER LINE; RS8000NC,PE-RT,ORAN | SNA | 1 |
| 1-1-2-5-16 | | G0526 | DA62-01368F | PIPE-WATER LINE; Dispenser Model,PE,OD6.3 | SA | 2 |
| 1-1-3 | 4 | A0047 | DA97-19263A | ASSY CAP DOOR-FRE LOW; RS8000NC,2DOOR,3DO | SNA | 1 |
| 1-1-3-1 | 5 | A0848 | 6001-001377 | SCREW-MACHINE; TH,+,M5,L25,ZPC(WHT),SWRCH | SNA | 9 |
| 1-1-3-2 | 5 | | DA61-07527A | STOPPER-DOOR FRE LOW; POLARIS,PO-SPHC,T4. | SA | 2 |
| 1-1-3-3 | 5 | M0265 | DA66-00558B | CAM HINGE-RISER UPP L; POLARIS,PA66,BLACK | SA | 2 |
| 1-2 | 3 | | DA64-05766A | PANEL-FRE; RS8000NC,HIPS,W339.2,L1647.5,R | SNA | 1 |
| 2 | 2 | | DA97-19030A | ASSY LEVER DISPENSER; RS8000NC,BLACK | SA | 1 |
| 3 | 2 | | DA97-19031A | ASSY COVER DISPENSER; RS8000NC,BLACK | SA | 1 |
| 4 | 2 | | DA97-19850W | ASSY GASKET-FRE; RS8000NC | SA | 1 |
| 5 | 2 | | DA97-19099A | ASSY GUARD-FRE UP; RS8000NC,Basic | SA | 1 |
| 6 | 2 | | DA97-19101A | ASSY GUARD-FRE LOW; RS8000NC | SA | 1 |
| 7 | 2 | | DA97-19116A | ASSY COVER WATER TANK; RS8000NC,220V | SA | 1 |
| 7-1 | 3 | | DA61-04522A | CLIP-FITTING LOCK; AW,POM | SNA | 6 |
| 7-2 | 3 | G0526 | DA62-01368F | PIPE-WATER LINE; Dispenser Model,PE,OD6.3 | SA | 1 |
| 8 | 2 | | DA97-19100A | ASSY GUARD-FRE TOP; RS8000NC | SNA | 1 |
| 8-1 | 3 | | DA63-09334A | GUARD-FRE TOP; RS8000NC,HIPS,T3.5,COOL WH | SA | 1 |
| 9 | 2 | A0105 | DA97-19033A | ASSY TRAY ICE; RS8000NC,INDOOR PP I/M | SA | 1 |
| 9-1 | 3 | G0412 | 6002-000473 | SCREW-TAPPING; TH,+,NO,1,M4,L14,PASS,STS3 | SA | 6 |
| 9-2 | 3 | | 6021-001534 | NUT-HEXAGON FLANGE; FLANGE,M9,-,STS304,LE | SNA | 1 |
| 9-3 | 3 | A0822 | 6031-002007 | WASHER-PLAIN; STS304,ID20,OD28,T0.5,BARRE | SNA | 1 |
| 9-4 | 3 | A0837 | DA60-00202A | FASTENER-NUT HEX; POM,NTR | SNA | 1 |
| 9-5 | 3 | T1109 | DA60-00231A | FASTENER-RING; AW-PJT,STS304,T1.5 | SNA | 1 |
| 9-6 | 3 | M0485 | DA61-02738A | MAGNET-ASS"Y; CORE-PJT,FERRITE | SA | 1 |
| 9-7 | 3 | | DA61-04663A | FIXER-WASHER; STS304,T2.5 | SNA | 1 |

Exploded Views and Parts List

| No. | Lvl. | Loc. | Material Code | Description & Specification | SNA | Qty. |
|-------|------|-------|---------------|--|-----|------|
| 9-8 | 3 | | DA64-05768A | WINDOW BUCKET; RS8000NC,PETG,T4,W290,L175 | SA | 1 |
| 9-9 | 3 | | DA66-00587A | LEVER-BUCKET L; GUGGENHEIM,ABS,29.8,76.7, | SC | 1 |
| 9-10 | 3 | G0557 | DA66-00588A | LEVER-BUCKET R; GUGGENHEIM,ABS,29.8,77.2, | SA | 1 |
| 10 | 2 | M0299 | DA97-19032A | ASSY CASE AUGER MOTOR; RS8000NC,PP-ICE MA | SA | 1 |
| 10-1 | 3 | G0412 | 6002-000239 | SCREW-TAPPING; TH,+,NO,2S,M4,L8,ZPC(WHT), | SA | 2 |
| 10-2 | 3 | G0572 | DA97-11248A | ASSY-CAM LEVER CUBE; INDOOR | SA | 1 |
| 10-3 | 3 | M0200 | DA31-00079A | MOTOR GEARED AC DISP; MVL15AR11/MCFA182A | SA | 1 |
| 10-4 | 3 | M0199 | DA31-00210E | MOTOR GEARED AC AUGER; ISG-3245SSB/ORG-45 | SA | 1 |
| 10-5 | 3 | G0068 | DA34-00043C | SWITCH REED; 13mm,UL1007 AWG 22,100,HOOK | SA | 1 |
| 10-6 | 3 | | DA61-12989A | PLATE COVER; RS8000NC,GL-SAZCC,T0.3 | SA | 1 |
| 10-7 | 3 | | DA63-05515A | COVER-MOTOR AUGER COIL; GGH,ABS,NTR | SA | 1 |
| 10-8 | 3 | | DA63-09324A | COVER CASE AUGER; RS8000NC,HIPS,T2.5,HB,N | SA | 1 |
| 10-9 | 3 | | DA63-09325A | COVER ICE-FRE; RS8000NC,HIPS,T2.5,HB,COOL | SA | 1 |
| 10-10 | 3 | M0166 | DA71-00163B | FIXER-NUT; GUGGENHEIM,STS420,J2,SK5 | SNA | 1 |
| 10-11 | 3 | | DA96-00036P | ASSY WIRE HARNESS-AUGER; AUGER,AC,IN-DOOR | SNA | 1 |
| 10-12 | 3 | G0564 | DA97-00151B | SWITCH REED; UL1007 AWG 22,230,35151-0210 | SA | 1 |
| 10-14 | 3 | M0247 | DA97-19010A | ASSY ICE MAKER-MECH; RS6500KC,12V,INDOOR | SA | 1 |

6. FRIDGE DOOR

Exploded View



Parts List

| No. | Lvl. | Loc. | Material Code | Description & Specification | SNA | Qty. |
|---------|------|-------|---------------|--|-----|------|
| 1 | 2 | Z1100 | DA91-04873A | ASSY DOOR FOAM-REF; RS8000NC,S9,2D REF | SA | 1 |
| 1-1 | 3 | | DA97-19174A | ASSY PLATE DOOR-REF; RS8000NC,2DOOR,RECES | SNA | 1 |
| 1-1-1 | 4 | | DA97-19264A | ASSY CAP DOOR-REF UP; RS8000NC,INOX GRAY, | SNA | 1 |
| 1-1-1-1 | 5 | | DA67-02795C | CAP-SHAFT HOLE; AW3,ABS,HG-0760GP,COOL WH | SA | 2 |
| 1-1-2 | 4 | A0048 | DA97-19269A | ASSY CAP DOOR-REF LOW; RS8000NC,CNTK-A204 | SNA | 1 |
| 1-1-2-1 | 5 | A0848 | 6001-001377 | SCREW-MACHINE; TH,+,M5,L25,ZPC(WHT),SWRCH | SNA | 9 |
| 1-1-2-2 | 5 | A1017 | DA61-07526A | STOPPER-DOOR REF LOW; POLARIS,PO-SPHC,T4. | SA | 1 |
| 1-1-2-3 | 5 | G0554 | DA66-00557A | CAM HINGE-RISER UPP R; GUGGENHEIM,PA66,BL | SA | 1 |
| 1-1-3 | 4 | G0412 | 6002-001547 | SCREW-TAPPING; FH,+,NO,1,M4,L10,ZPC(WHT), | SA | 1 |
| 1-2 | 3 | M0196 | DA64-04021C | MASCOT; ALL,Ni,T0.06,L90 | SA | 1 |

Exploded Views and Parts List

| No. | Lvl. | Loc. | Material Code | Description & Specification | SNA | Qty. |
|-----|------|-------|---------------|--|-----|------|
| 1-3 | 3 | | DA64-05767A | PANEL-REF; RS8000NC,HIPS,W462.8,L1647.5,R | SNA | 1 |
| 1-4 | 3 | G0412 | 6002-000239 | SCREW-TAPPING; TH,+,NO,2S,M4,L8,ZPC(WHT), | SA | 2 |
| 2 | 2 | | DA97-19850V | ASSY GASKET-REF; RS8000NC | SA | 1 |
| 3 | 2 | | DA97-19097A | ASSY GUARD-REF UP; RS8000NC | SA | 3 |
| 4 | 2 | G0400 | DA97-19098A | ASSY GUARD-REF LOW; RS8000NC | SA | 1 |
| 5 | 2 | A0636 | DA97-19102A | ASSY GUARD DAIRY; RS8000NC | SA | 1 |
| 5-1 | 3 | | DA67-02920A | CAP-HINGE DAIRY R; HERMES,POM,K300,NATURA | SA | 1 |
| 5-2 | 3 | | DA67-02921A | CAP-HINGE DAIRY L; HERMES,POM,K300,NATURA | SA | 1 |
| 6 | 2 | Z1106 | DA67-40322A | TRAY-EGG; SR-51.55.59,GPPS,-,-,-,-,- | SA | 1 |