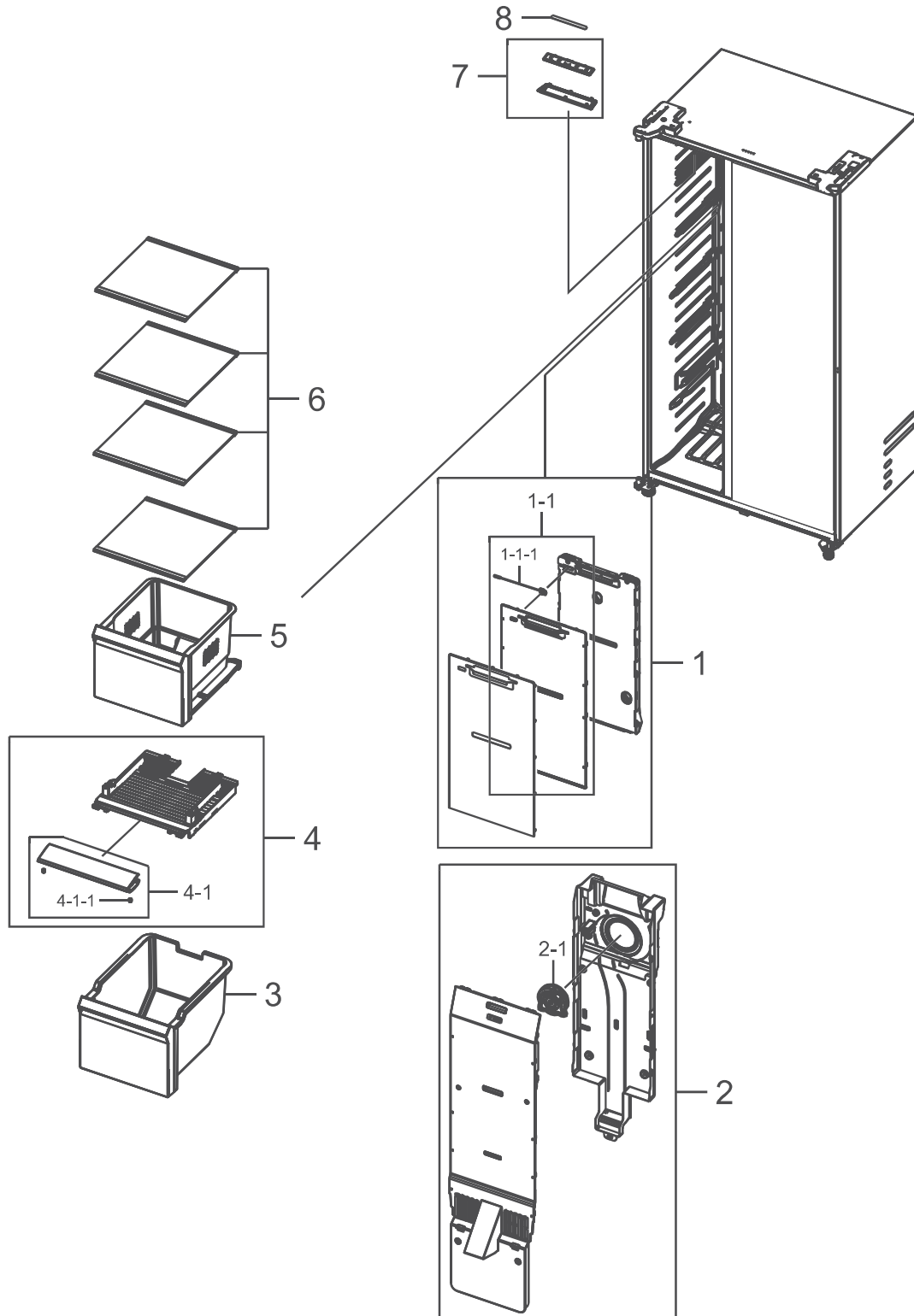


# 1. FREEZER

FREEZER

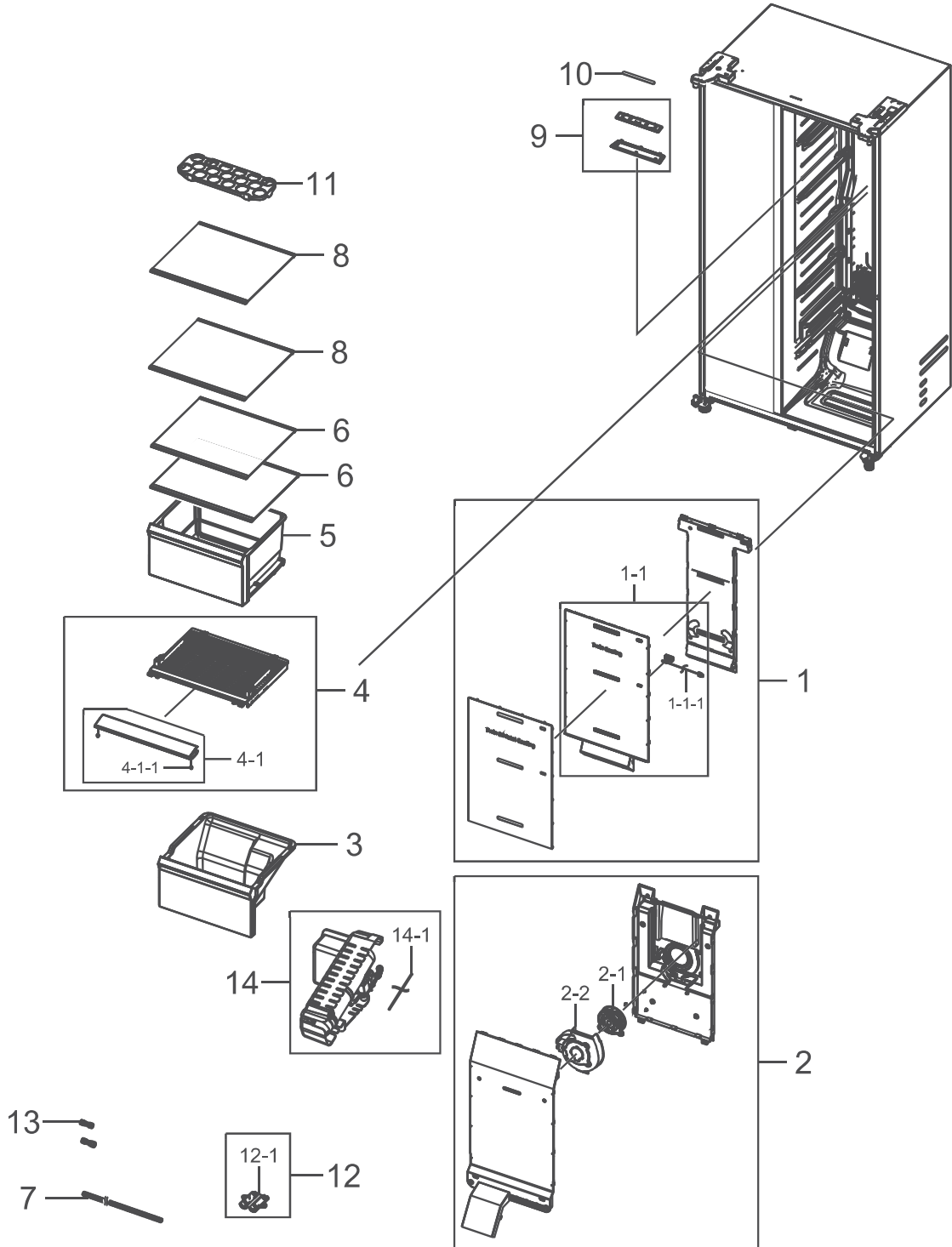
Exploded View



## 2. FRIDGE

FRIDGE

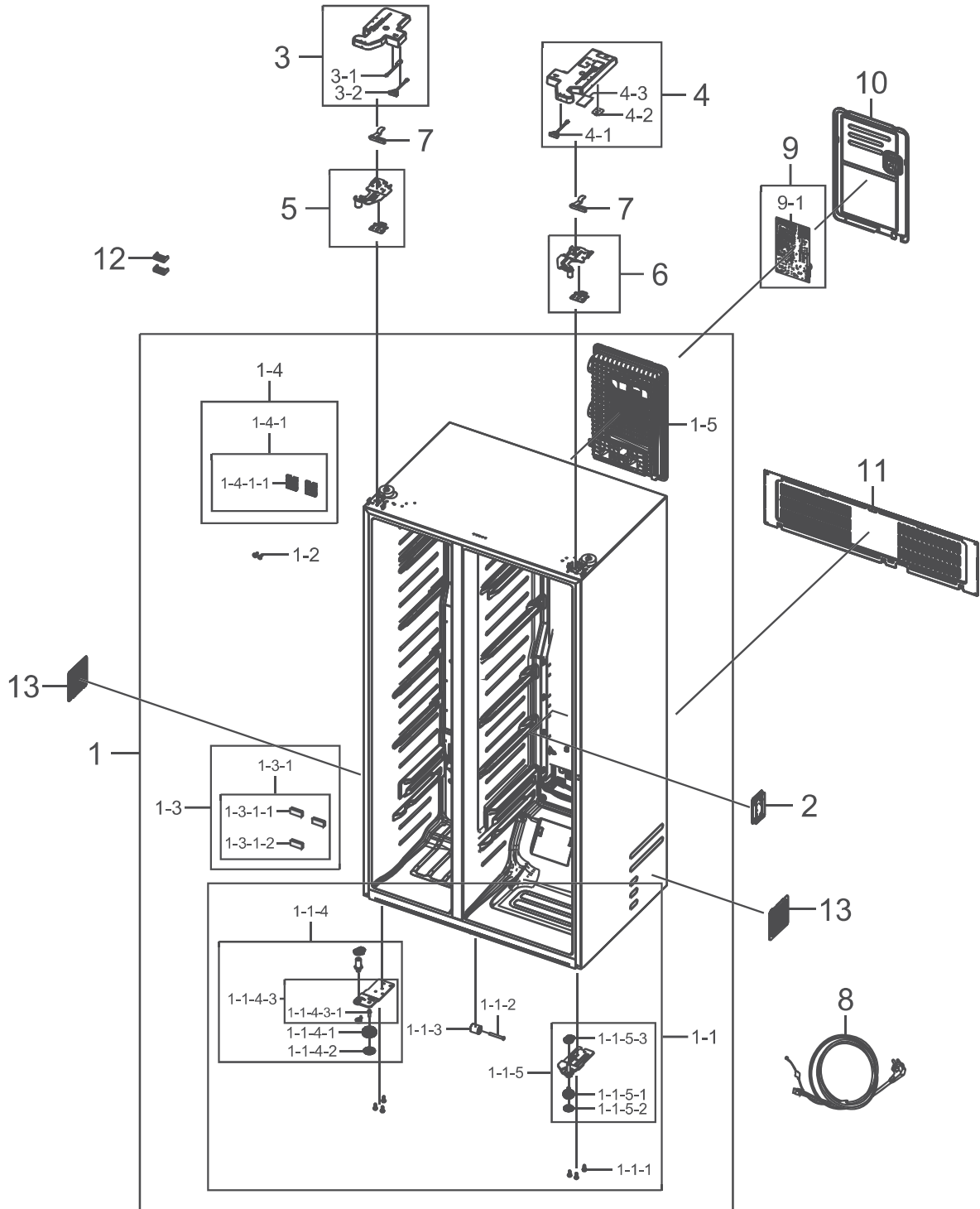
Exploded View



# 3. CABINET

## CABINET

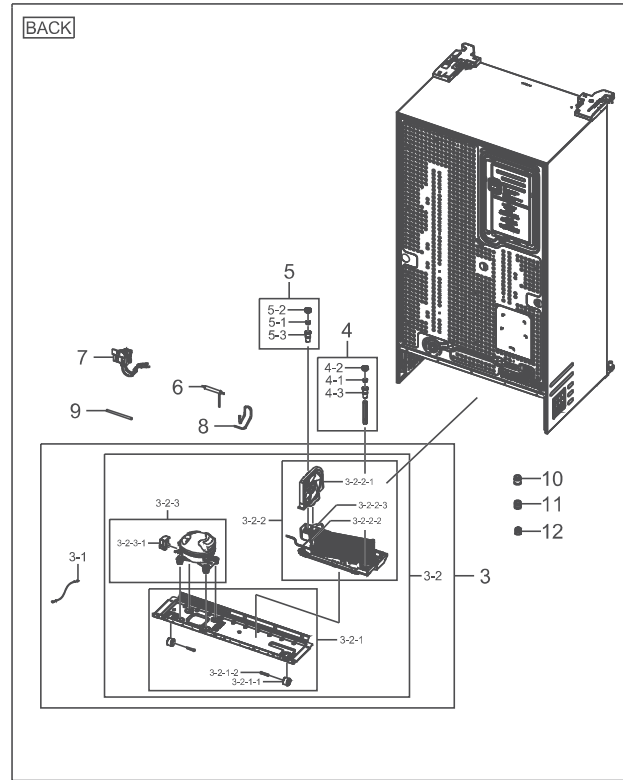
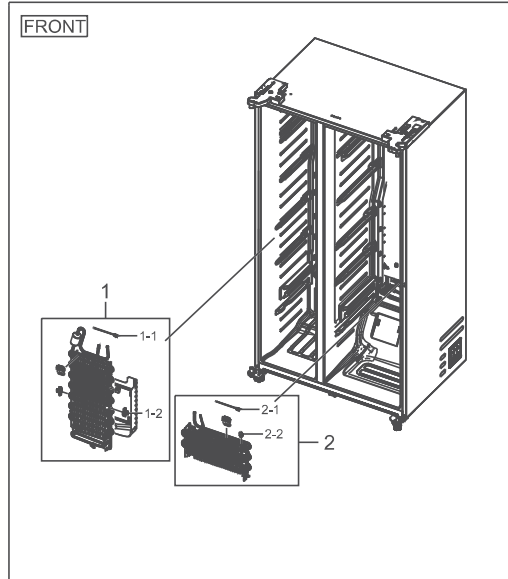
### Exploded View



# 4. CYCLE

## CYCLE

### Exploded View



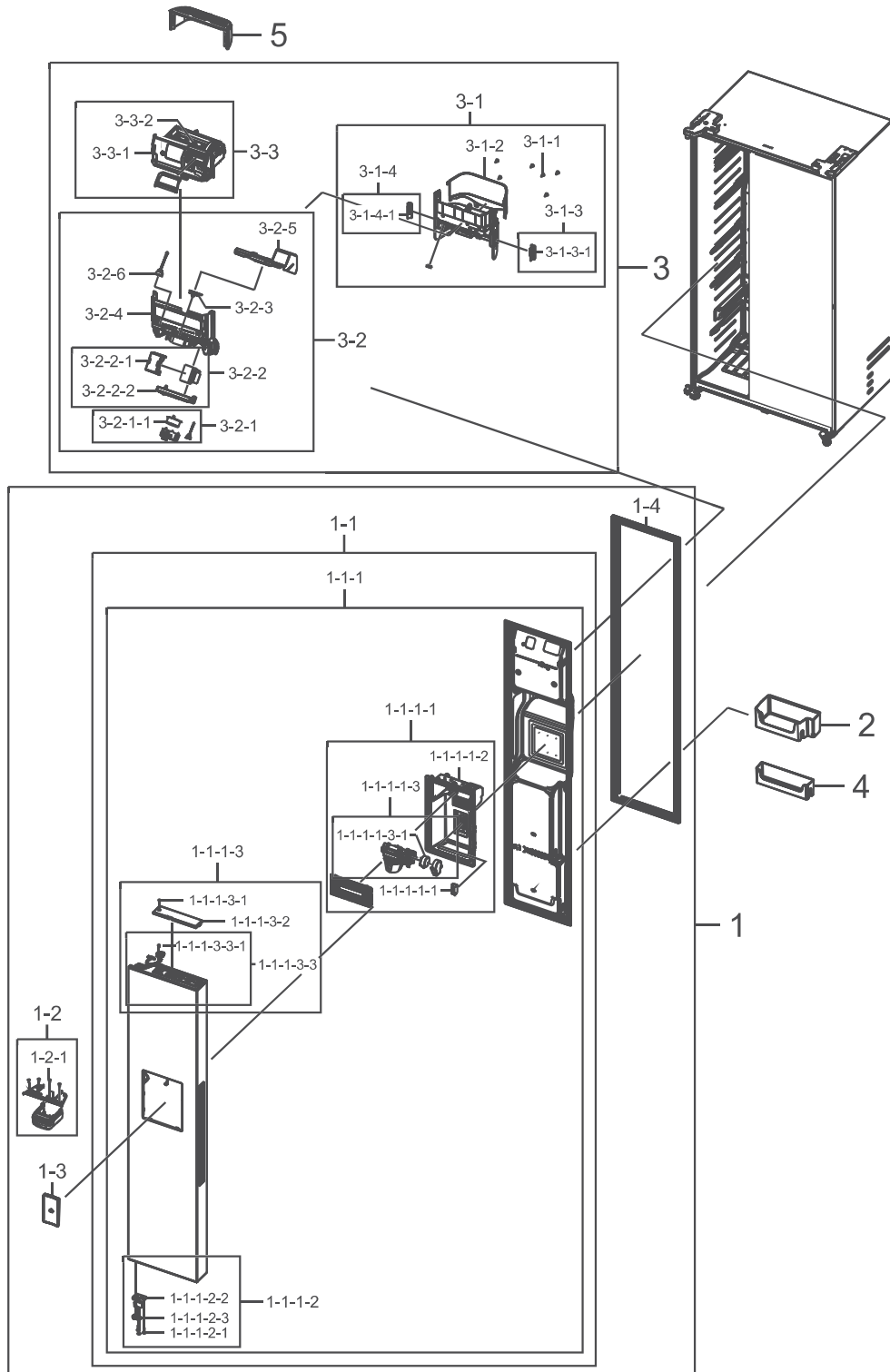
### Parts List

No.	Lvl.	Loc.	Material Code	Description & Specification	SNA	Qty.
1	2	A0163	DA96-01316D	ASSY EVAP-FRE; RS8000NC F/L,FIN TUBE(GROO	SA	1
1-1	3	A1018	DA32-00070Q	SENSOR TEMP; DOUBLE_INSULATION,L200,13.2k	SA	1
1-2	3	G0205	DA61-04921B	FIXER-HEATER FRE; HERMES-PJT,PP,-,NATURAL	SA	2
2	2	A0184	DA96-01318B	ASSY EVAP-REF; RS8000NC F/L,FIN TUBE(GROO	SA	1
2-1	3	A1018	DA32-00070Q	SENSOR TEMP; DOUBLE_INSULATION,L200,13.2k	SA	1
2-2	3		DA61-06013B	FIXER WIRE; AW3-PJT,PP,T2,NATURAL,-,BJ750	SA	1
3	2		DA97-22145A	ASSY COMP N CONDENSING-COND MODULE; RS800	SNA	1
3-1	3	A0562	DA39-20389L	ASSY WIRE HARNESS-EARTH; EARTH,ALL,FREE V	SA	1

# 5. DOOR FRE

## DOOR FRE

### Exploded View



# 6. DOOR REF

DOOR REF

Exploded View

