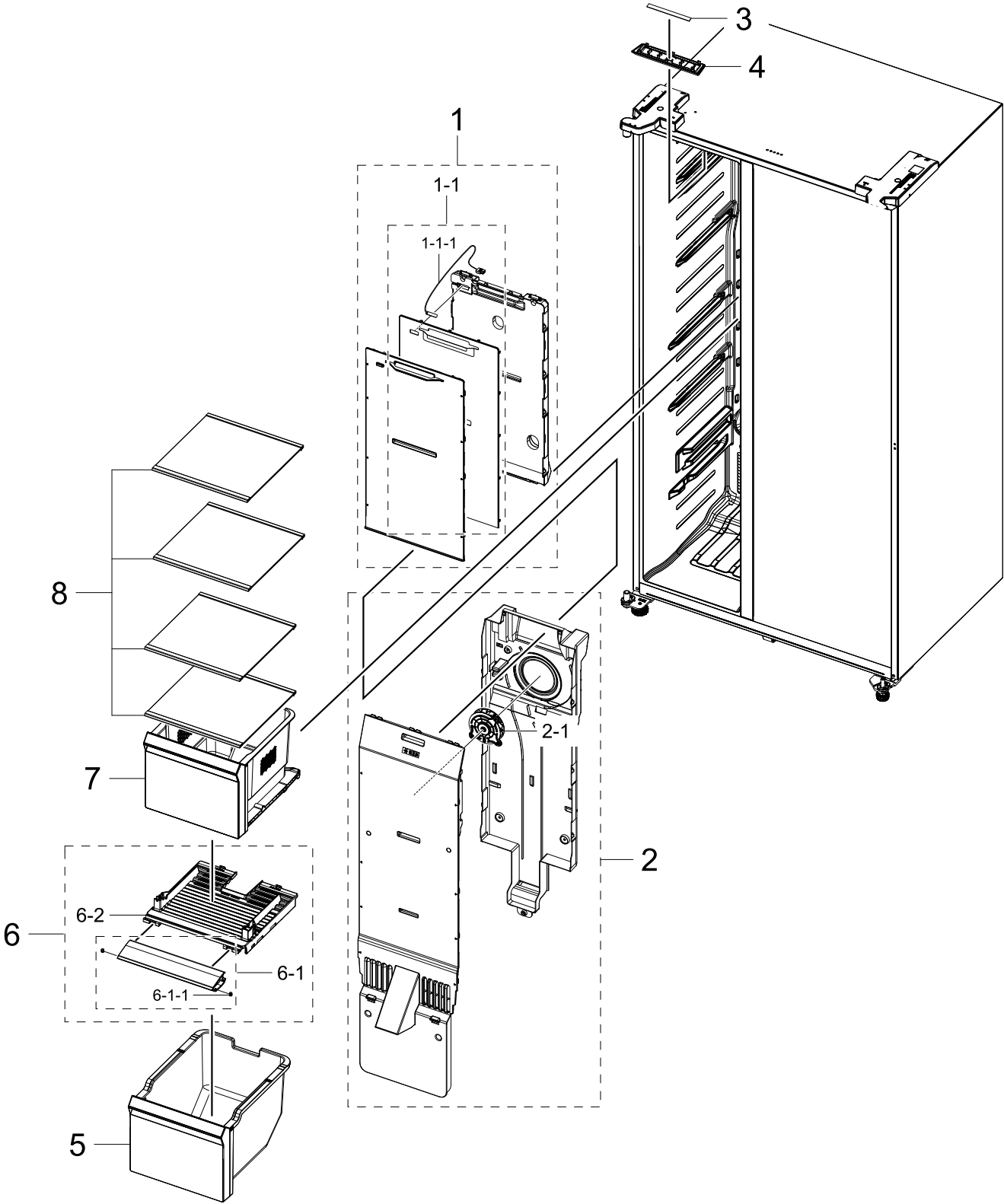


1. Freezer

Freezer

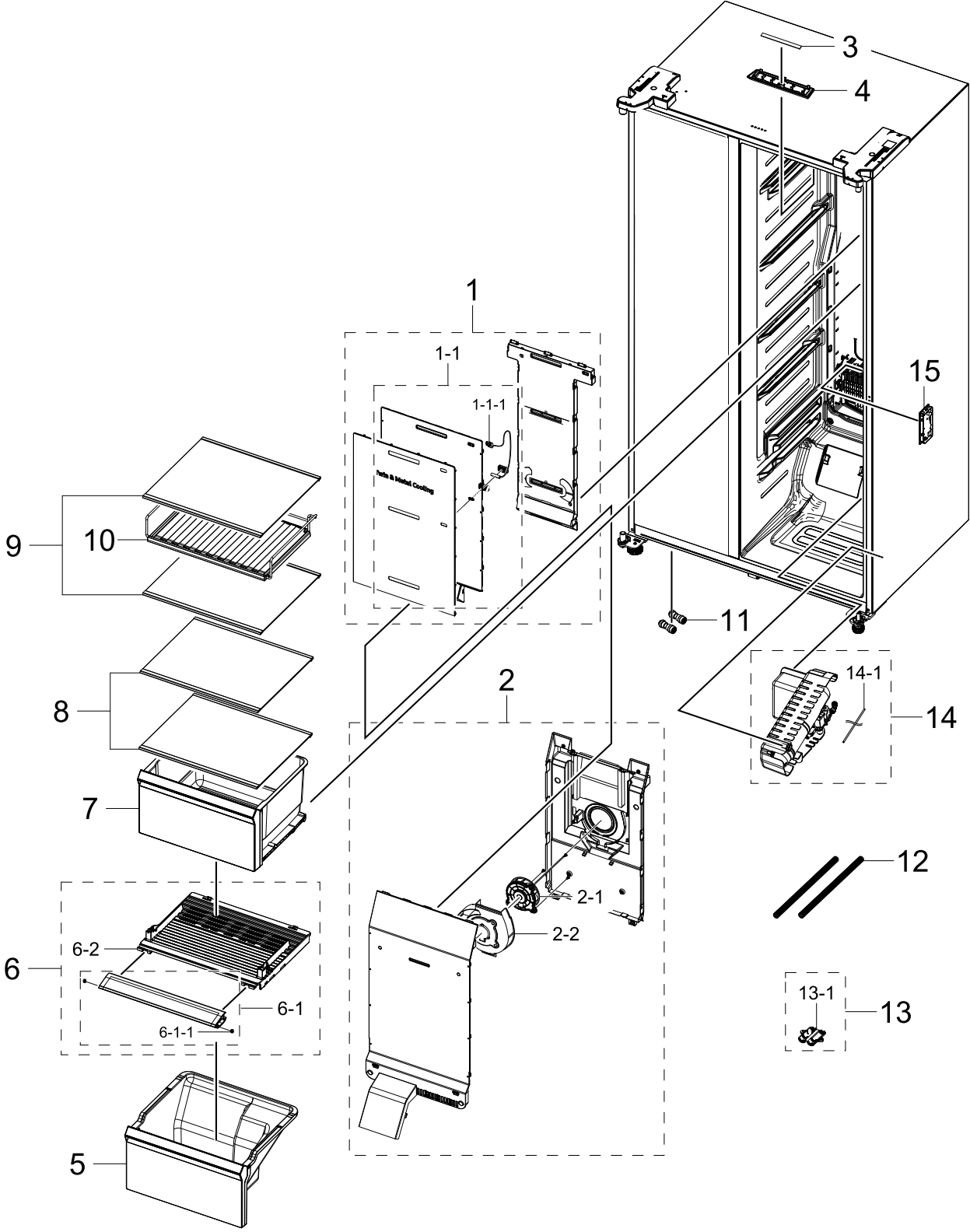
Exploded View



2. Fridge

Fridge

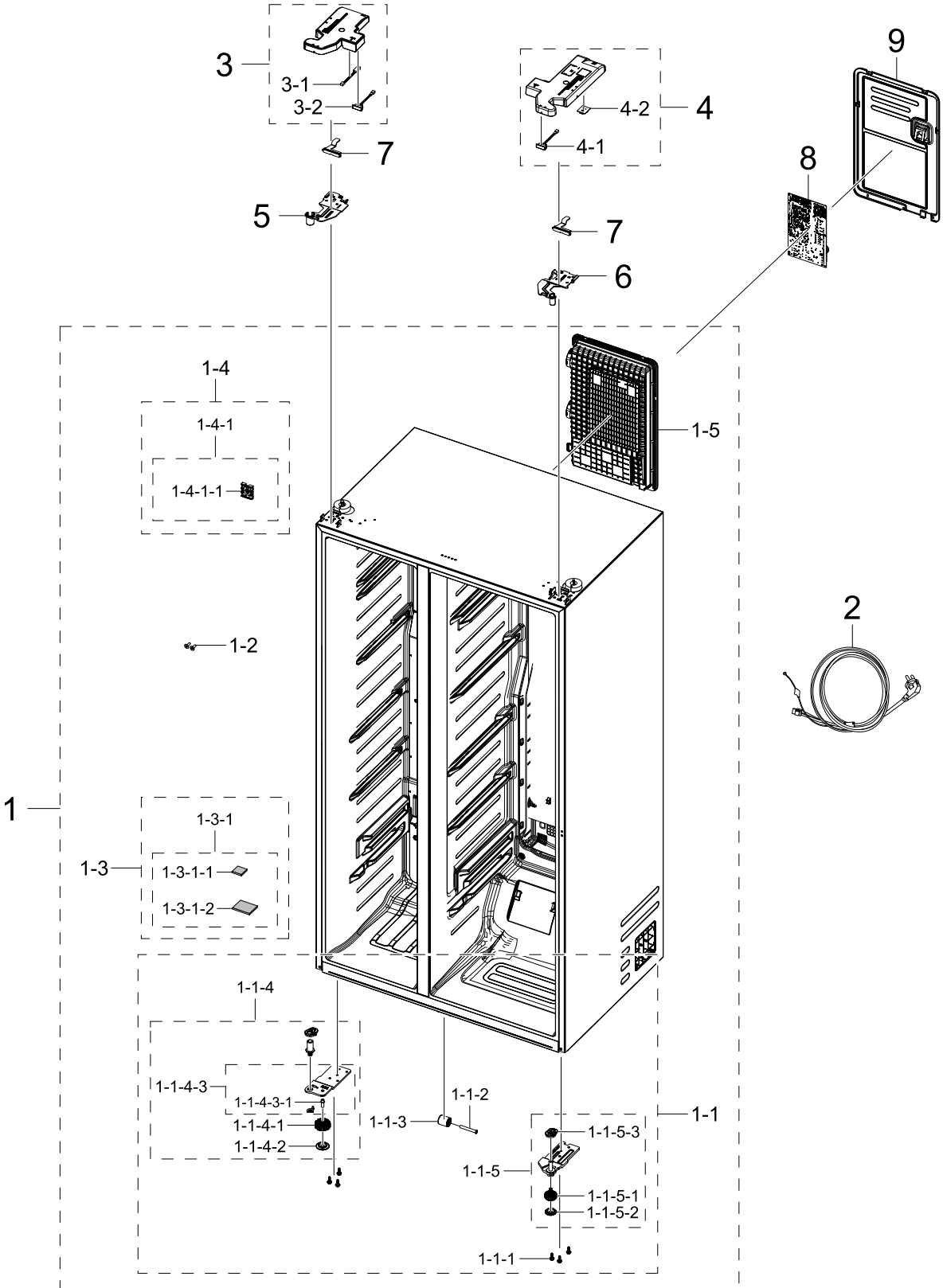
Exploded View



3. Cabinet

Cabinet

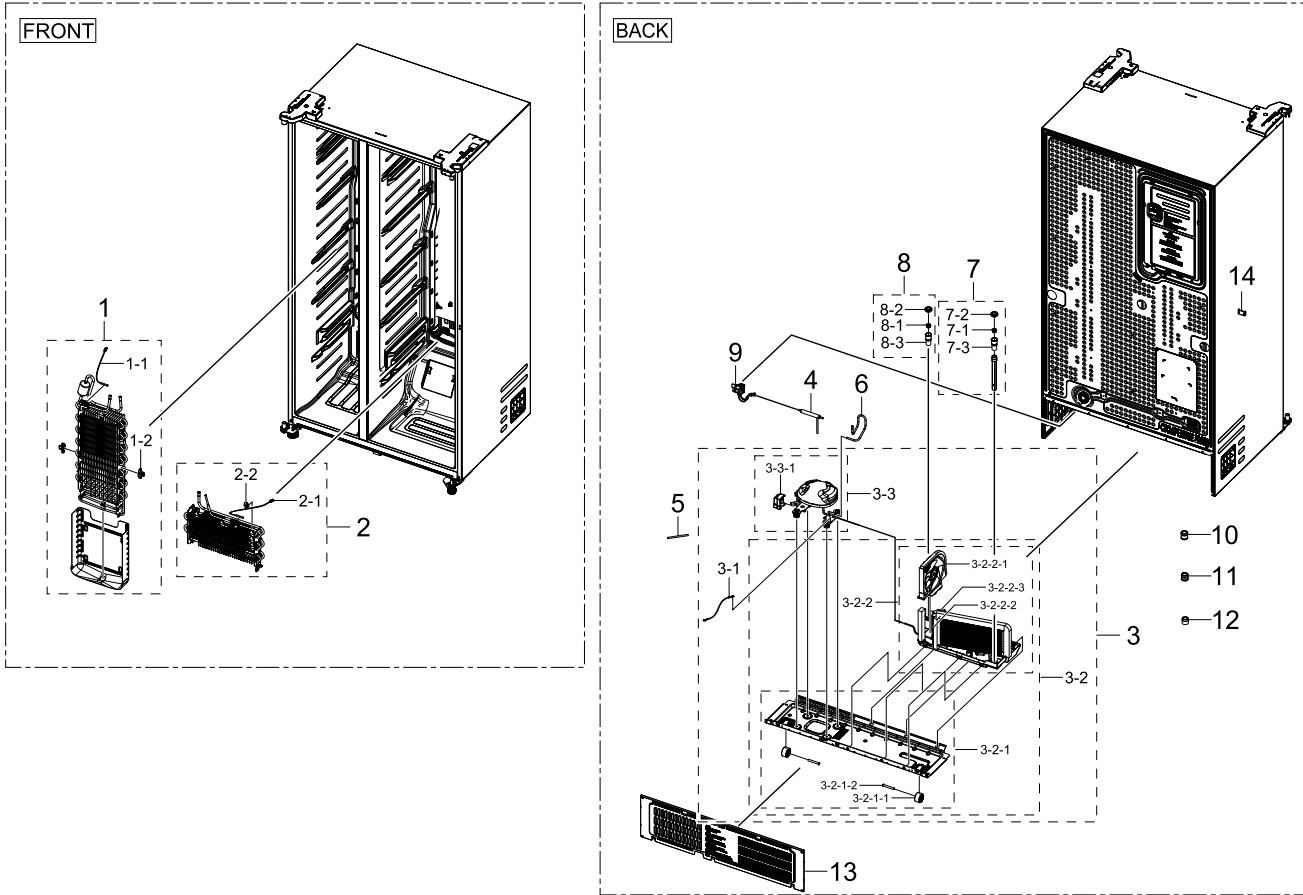
Exploded View



4. Cycle

Cycle

Exploded View



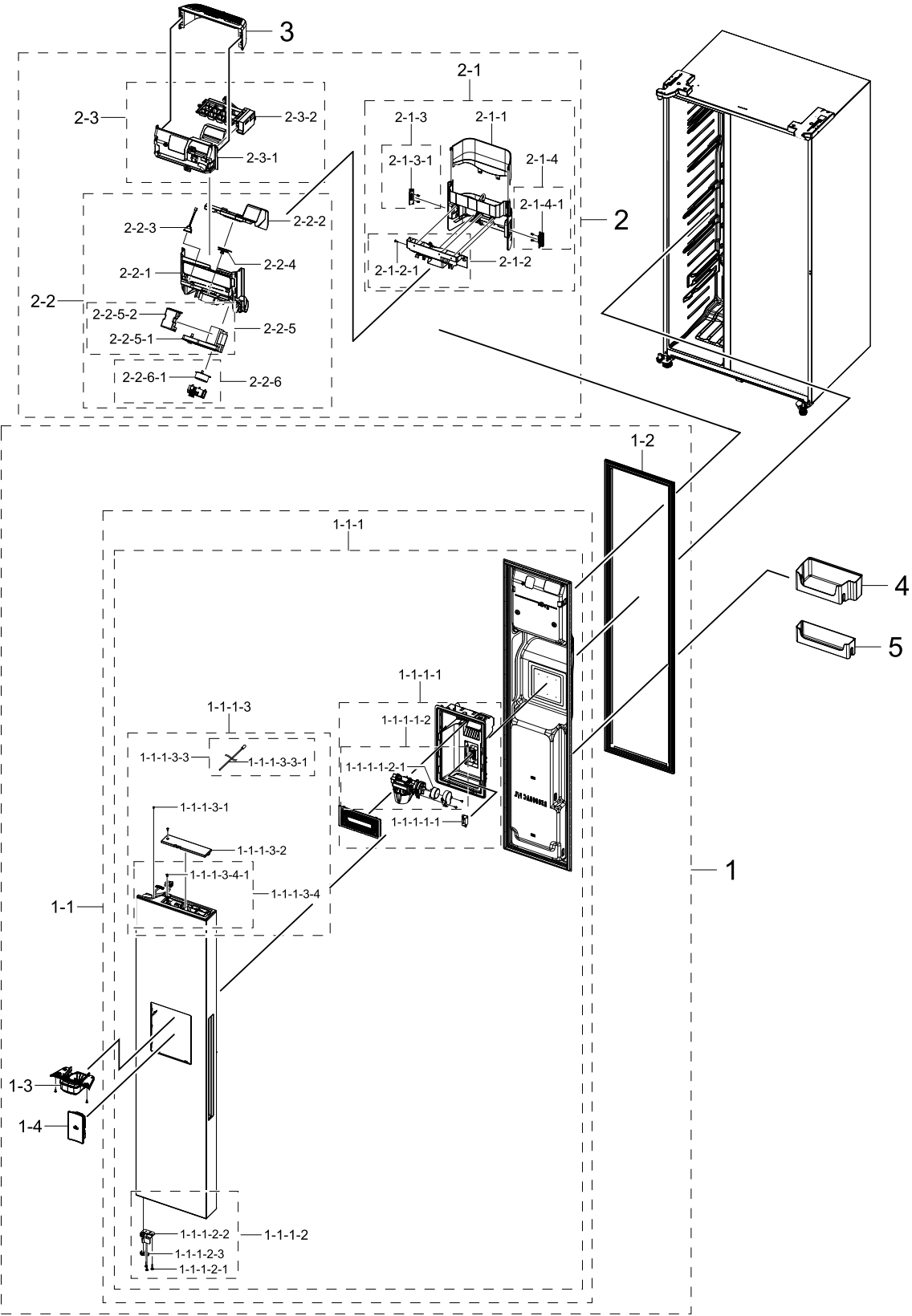
Parts List

No.	Lvl.	Loc.	Material Code	Description & Specification	SNA	Qty.
1	2	A0163	DA96-01316D	ASSY EVAP-FRE; RS8000NC F/L,FIN TUBE(GROO	SA	1
1-1	3	A1018	DA32-00070Q	SENSOR TEMP; DOUBLE_INSULATION,L200,13.2k	SA	1
1-2	3	G0205	DA61-04921B	FIXER-HEATER FRE; HERMES-PJT,PP,NATURAL,F	SA	2
2	2	A0184	DA96-01318B	ASSY EVAP-REF; RS8000NC F/L,FIN TUBE(GROO	SA	1
2-1	3	A1018	DA32-00070Q	SENSOR TEMP; DOUBLE_INSULATION,L200,13.2k	SA	1
2-2	3		DA61-06013B	FIXER WIRE; AW3-PJT,PP,T2,NATURAL,HB,BJ75	SA	1
3	2		DA97-22145A	ASSY COMP N CONDENSING-COND MODULE; RS800	SNA	1

5. Door Fre

Door Fre

Exploded View



6. Door Ref

Door Ref

Exploded View

