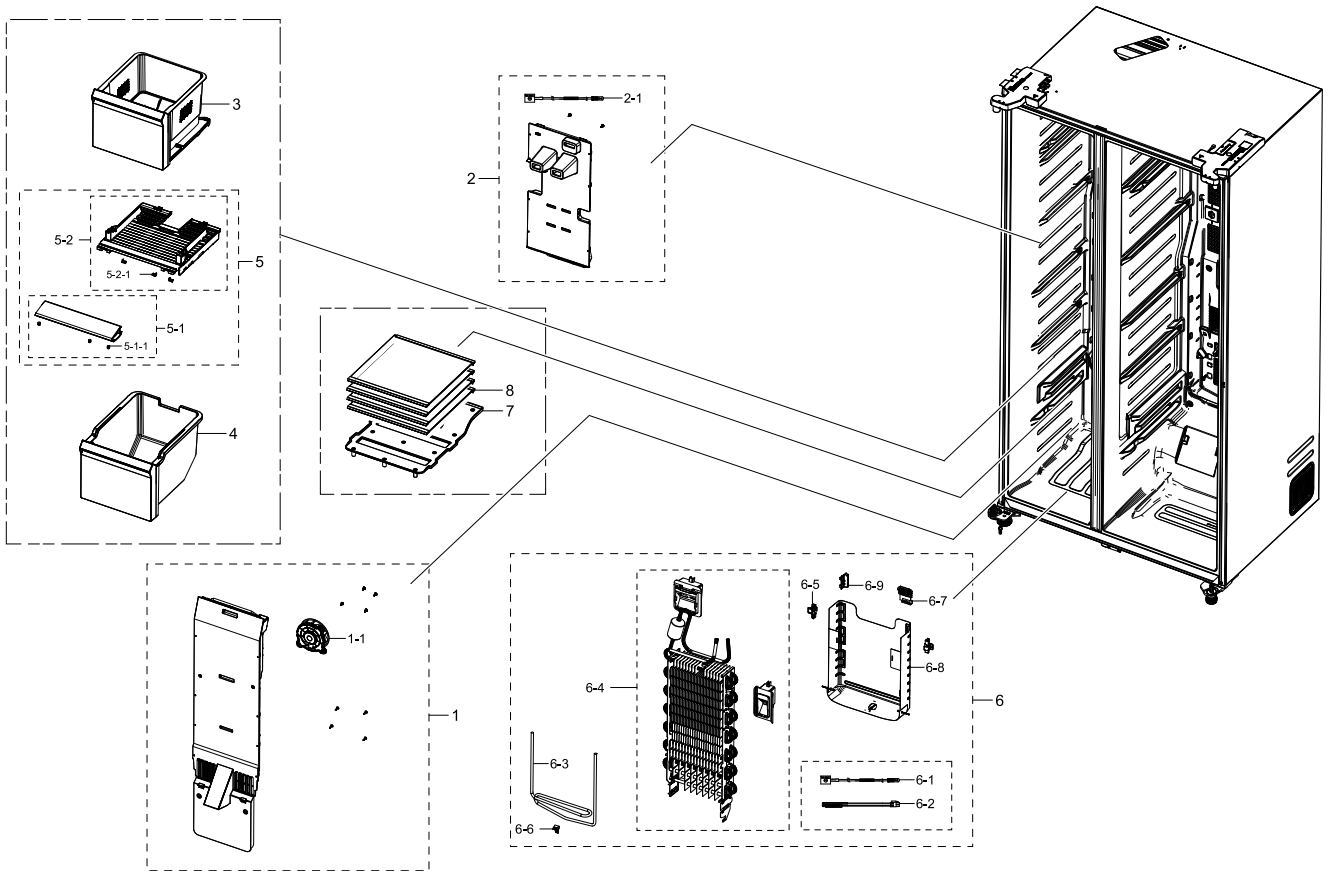


1. Freezer

Exploded View

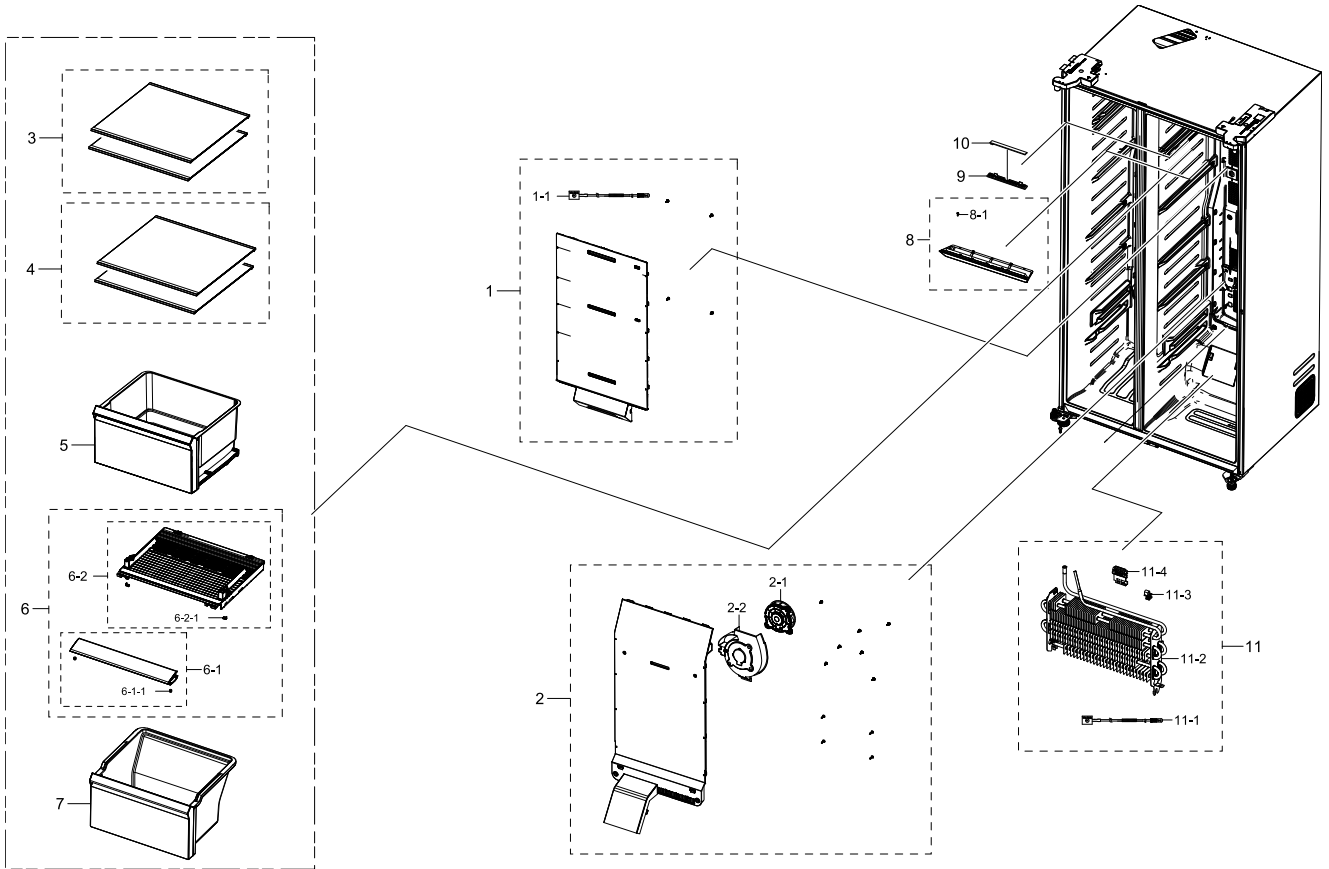


Parts List

No.	Lvl.	Loc.	Material Code	Description & Specification	SNA	Qty.
1	2	M0303	DA97-19185A	ASSY COVER EVAP-FRE; RS8000NC,2-Door, 3-D	SA	1
1-1	3		DA31-00345A	MOTOR BLDC FAN; AIO-Q7,1795-1994rpm,12V,2	SA	1
2	2	M0304	DA97-19186A	ASSY COVER MULTI-FRE; RS8000NC,2-Door, In	SA	1
2-1	3	A1018	DA32-00070C	SENSOR TEMP; SC41200-021A,250mm,11.73kohm	SA	1
3	2		DA97-19210A	ASSY CASE BASKET-UP; RS8000NC	SA	1
4	2	A1186	DA97-19211A	ASSY CASE BASKET-LOW; RS8000NC	SA	1
5	2		DA97-19217A	ASSY COVER SLIDE-FRE; RS8000NC	SA	1
5-1	3		DA97-19505A	ASSY COVER SLIDE-FRE A; RS8000NC	SNA	1
5-1-1	4		DA63-07113A	GROMMET-COVER SIDE; HM12,SI,Transparency	SA	2
5-2	3		DA97-19506A	ASSY COVER SLIDE-FRE B; RS8000NC	SNA	1
5-2-1	4	G0587	DA63-00202C	GROMMET-RAIL; TD-PJT,PA66,W10.7,COOL WHIT	SA	2

2. Fridge

Exploded View

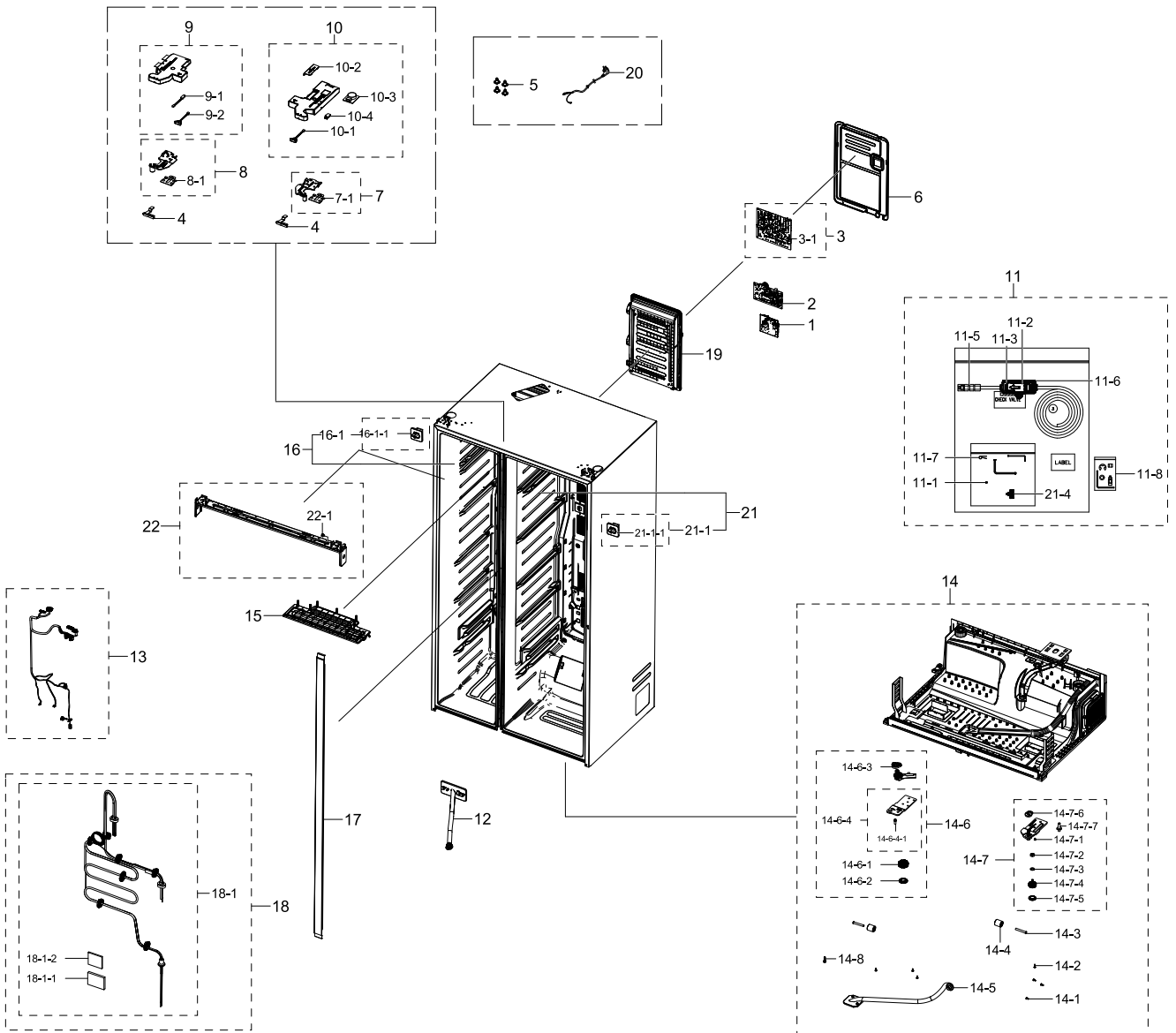


Parts List

No.	Lvl.	Loc.	Material Code	Description & Specification	SNA	Qty.
1	2	G0239	DA97-19189B	ASSY COVER MULTI-REF; RS8000NC,2-Door, 3-	SA	1
1-1	3	A1018	DA32-00070C	SENSOR TEMP; SC41200-021A,250mm,11.73kohm	SA	1
2	2	Z1177	DA97-19188A	ASSY COVER EVAP-REF; RS8000NC,2-Door, 3-D	SA	1
2-1	3		DA31-00345A	MOTOR BLDC FAN; AIO-Q7,1795-1994rpm,12V,2	SA	1
2-2	3		DA61-08437A	GUIDE AIR-REF; HM12,HIPS,HB,454N,NATURAL,	SA	1
3	2		DA97-19046A	ASSY SHELF-REF UP; RS8000NC	SA	2
4	2		DA97-19047A	ASSY SHELF-REF LOW; RS8000NC	SA	2
5	2		DA97-19214A	ASSY CASE VEG-UP; RS8000NC	SA	1
6	2		DA97-19218A	ASSY COVER SLIDE-REF; RS8000NC	SA	1
6-1	3		DA97-19504A	ASSY COVER SLIDE-REF A; RS8000NC	SNA	1

3. Assy Cabinet

Exploded View

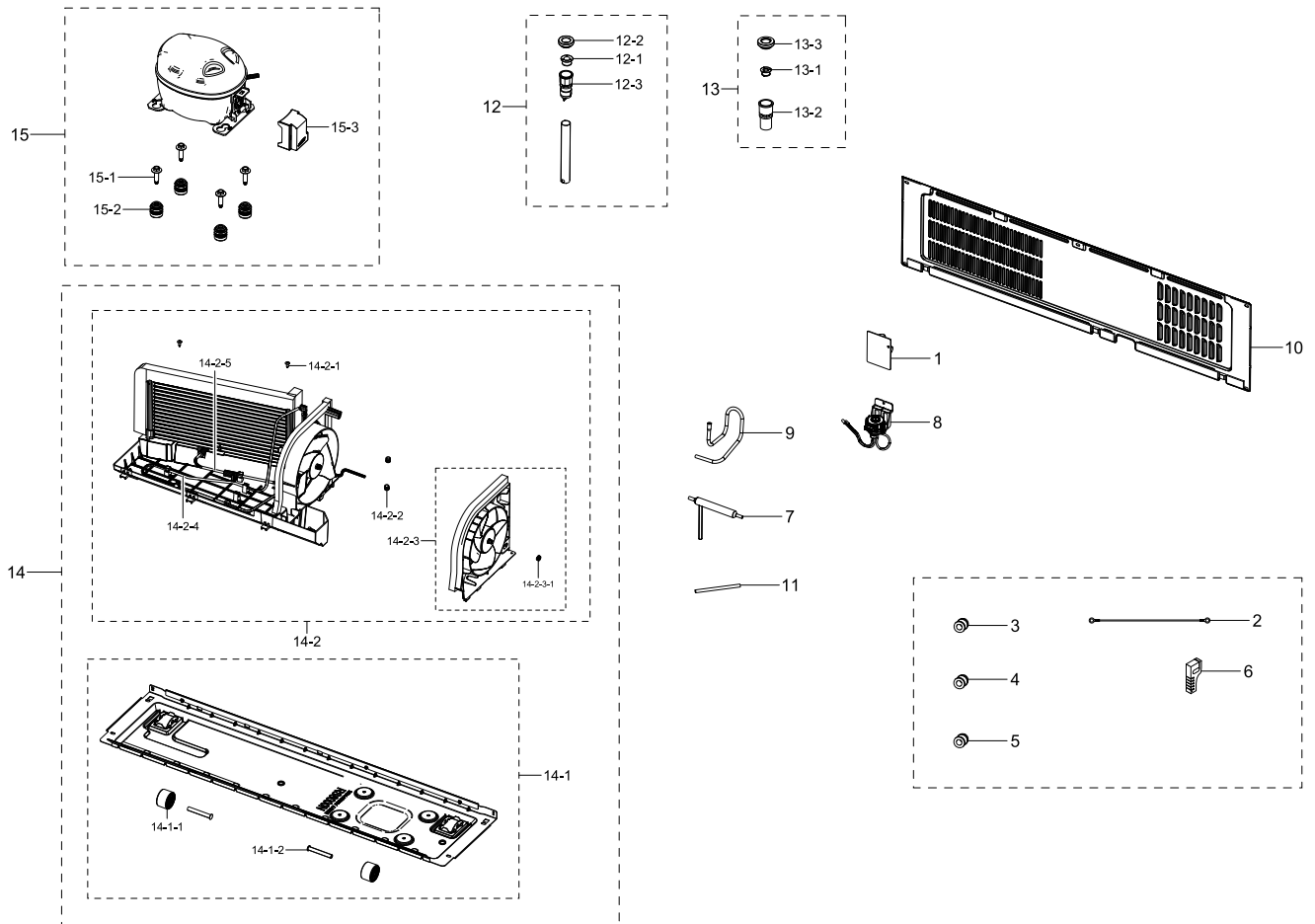


Parts List

No.	Lvl.	Loc.	Material Code	Description & Specification	SNA	Qty.
1	1		DA92-00530A	ASSY MODULE; STD #7 SMPS,FOOD SHOWCASE,32	SA	1
2	1		DA92-00763A	ASSY PCB INVERTER; INVERTER,RF9000K,163*9	SA	1
3	1		DA94-04228K	ASSY PCB EEPROM; 0X36,D601,D603,D605,D606	SA	1
3-1	2	A0952	DA92-01061E	ASSY PCB MAIN; RS8000NC,178*197,Dispenser	SNA	1
4	2		DA61-04932B	FIXER-HINGE; PO-SPHC,T3,Zn coating	SA	2

4. Cycle

Exploded View

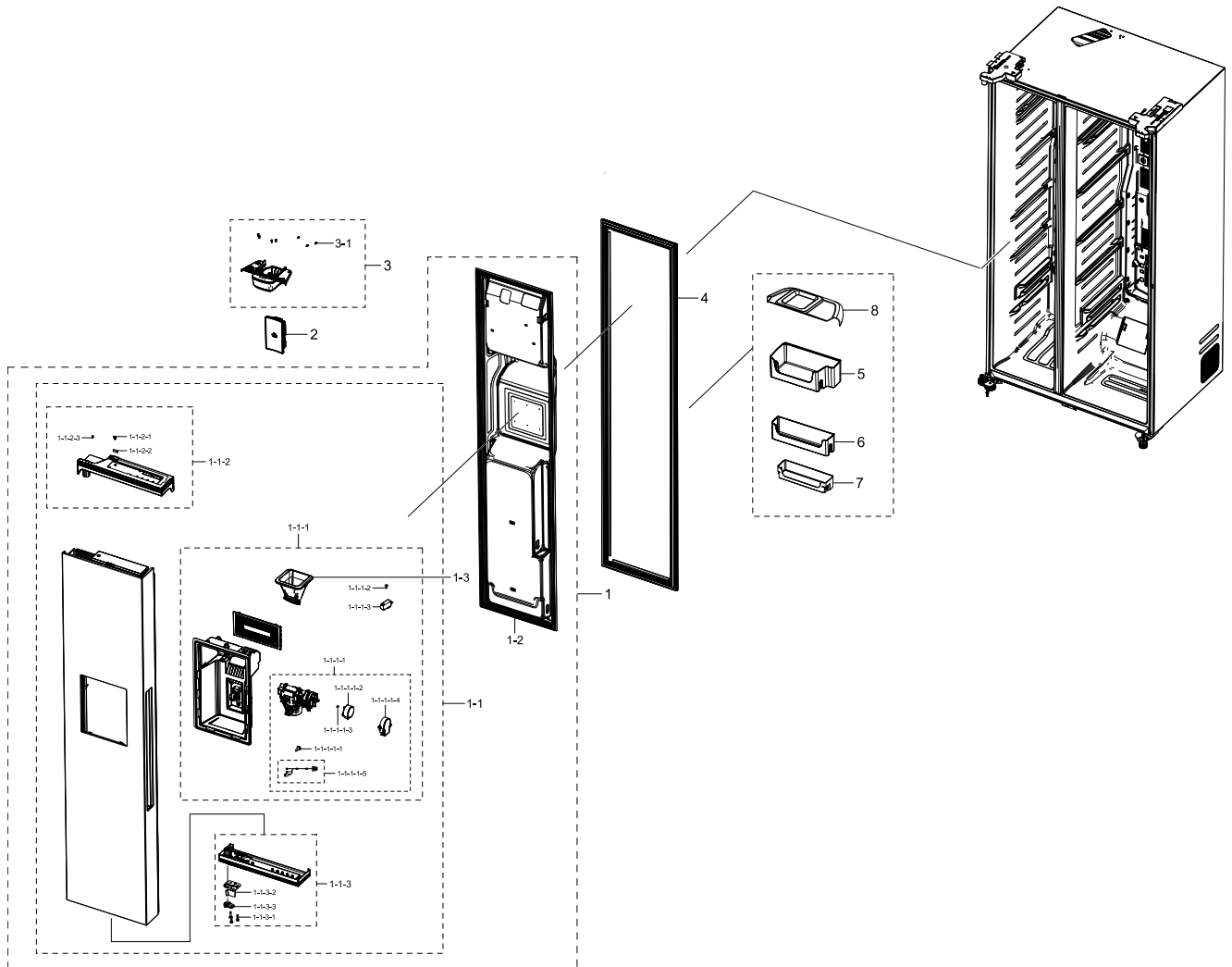


Parts List

No.	Lvl.	Loc.	Material Code	Description & Specification	SNA	Qty.
1	2	M0489	DA27-00057B	COIL FILTER; 22mH,82x60x1.6mm,4A,680nF,48	SA	1
2	2	A0562	DA39-20389L	ASSY WIRE HARNESS-EARTH; EARTH,ALL,,,,,FR	SA	1
3	2		DA60-00279A	FITTING-LOKRING 16; SUM23,16, 11SMnPb30K	SA	1
4	2		DA60-00280A	FITTING-LOKRING 33; SUM23,33, 11SMnPb30K	SA	1
5	2		DA60-00281A	FITTING LOKRING; SUM23,ID5.02,11SMnPb30K,	SA	1
6	2		DA62-05304A	SEAL GUIDE PIPE; RS8000NC,PE FOAM,T20,B,F	SNA	1
7	2	A0669	DA62-04309A	DRYER; C1220T-H,L137,SINGLE MOUTH,For VAL	SA	1
8	2		DA62-04678B	VALVE STEP; DC12V,MODULE,2WAY,RIGHT/RIGHT	SA	1

5. Freezer Door

Exploded View

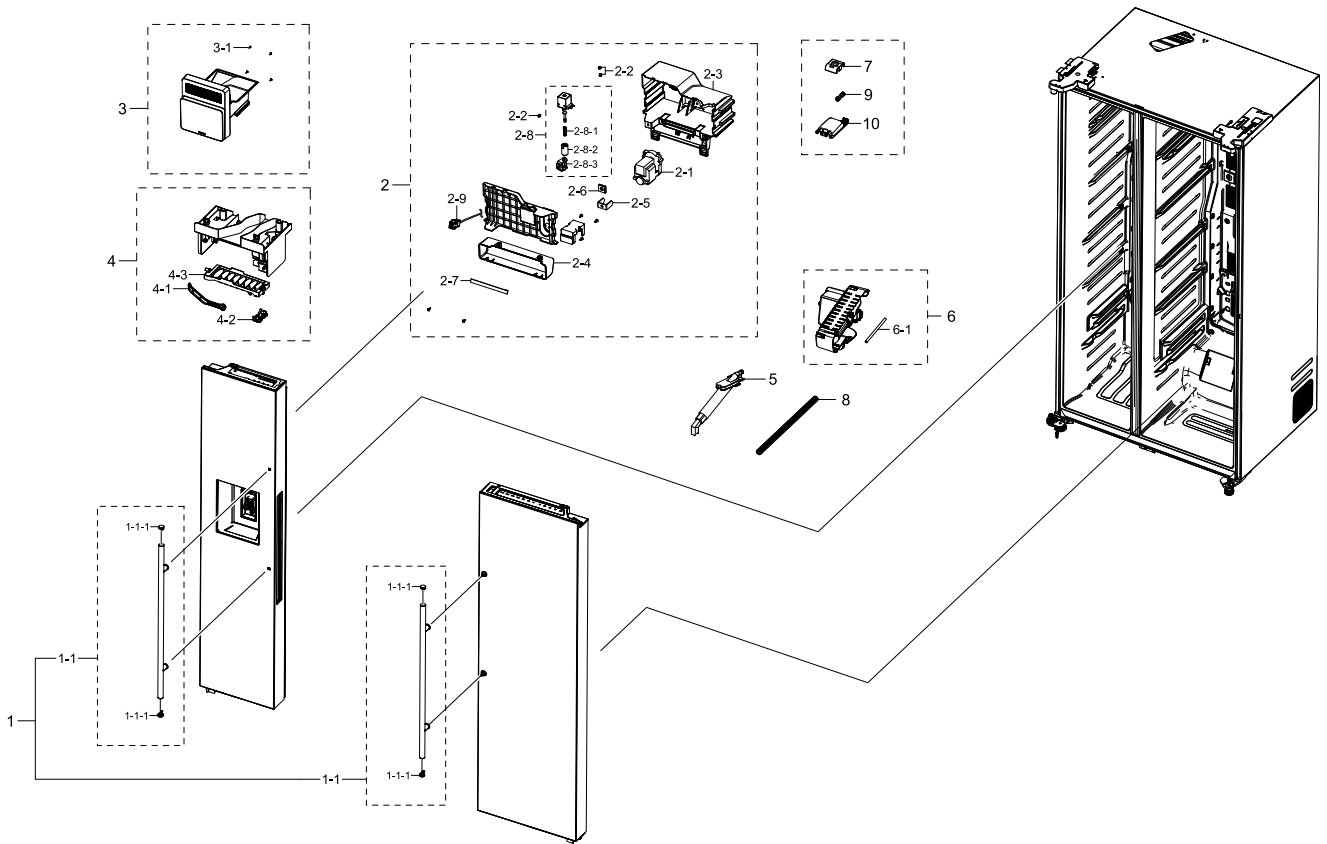


Parts List

No.	Lvl.	Loc.	Material Code	Description & Specification	SNA	Qty.
1	2	M0063	DA91-04890A	ASSY DOOR FOAM-FRE; RS8000NC,S9,FRE, BAR,	SA	1
1-1	3		DA97-19173A	ASSY PLATE DOOR-FRE; RS8000NC,DISP, IN CA	SNA	1
1-1-1	4		DA97-19228A	ASSY CASE DISPENSER; RS8000NC,BLACK	SNA	1
1-1-1-1	5		DA97-19028A	ASSY CASE ICE ROUTE; RS8000NC,220V	SA	1
1-1-1-1-1	6	G0412	6002-000213	SCREW-TAPPING; TH,+,1,M4,L12,ZPC(WHT),SWR	SNA	2
1-1-1-1-2	6	M0200	DA31-00079A	MOTOR GEARED AC DISP; MVLA15AR11/MCFA182A	SA	1
1-1-1-1-3	6	A0534	DA33-10011A	MAGNET; SSM-390,T2,W5,L7,-,	SNA	1
1-1-1-1-4	6	A1089	DA63-07654A	COVER MOTOR; FSR,HIPS,HB,NATURAL	SNA	1

7. Assy Handle Kit

Exploded View



Parts List

No.	Lvl.	Loc.	Material Code	Description & Specification	SNA	Qty.
1	2		DA97-19219B	ASSY HANDLE-KIT; RS8000NC,INOX	SNA	1
1-1	3		DA97-05075N	ASSY-HANDLE BAR REF; HERMES,AL(A6063), HA	SA	2
1-1-1	4		DA67-02024J	CAP-HANDLE SIDE; HERMES,ABS,MANHATTAN PEA	SA	4
2	2	M0299	DA97-19131A	ASSY CASE AUGER MOTOR; RS8000NC	SA	1
2-1	3	M0199	DA31-00105F	MOTOR GEARED AC AUGER; ISG3240SSH-1 / ORG	SA	1
2-2	3	T0036	DA60-00001B	SCREW-SPECIAL; HEX,M10,L6.3,PASS,STS304	SA	3
2-3	3		DA61-13053A	SUPPORT CASE AUGER; RS8000NC,ABS,T2.5,HG-	SA	1
2-4	3		DA63-09376A	COVER LAMP-FRE; RS8000NC,PP,T2.5,HB,NATUR	SA	1
2-5	3		DA70-20017A	PLATE-D/AUGER DISP; STS304,T3	SA	1
2-6	3	M0166	DA71-00163A	FIXER-NUT; ZIPEL,STS420,T1,STS420-J2,BODY	SA	1