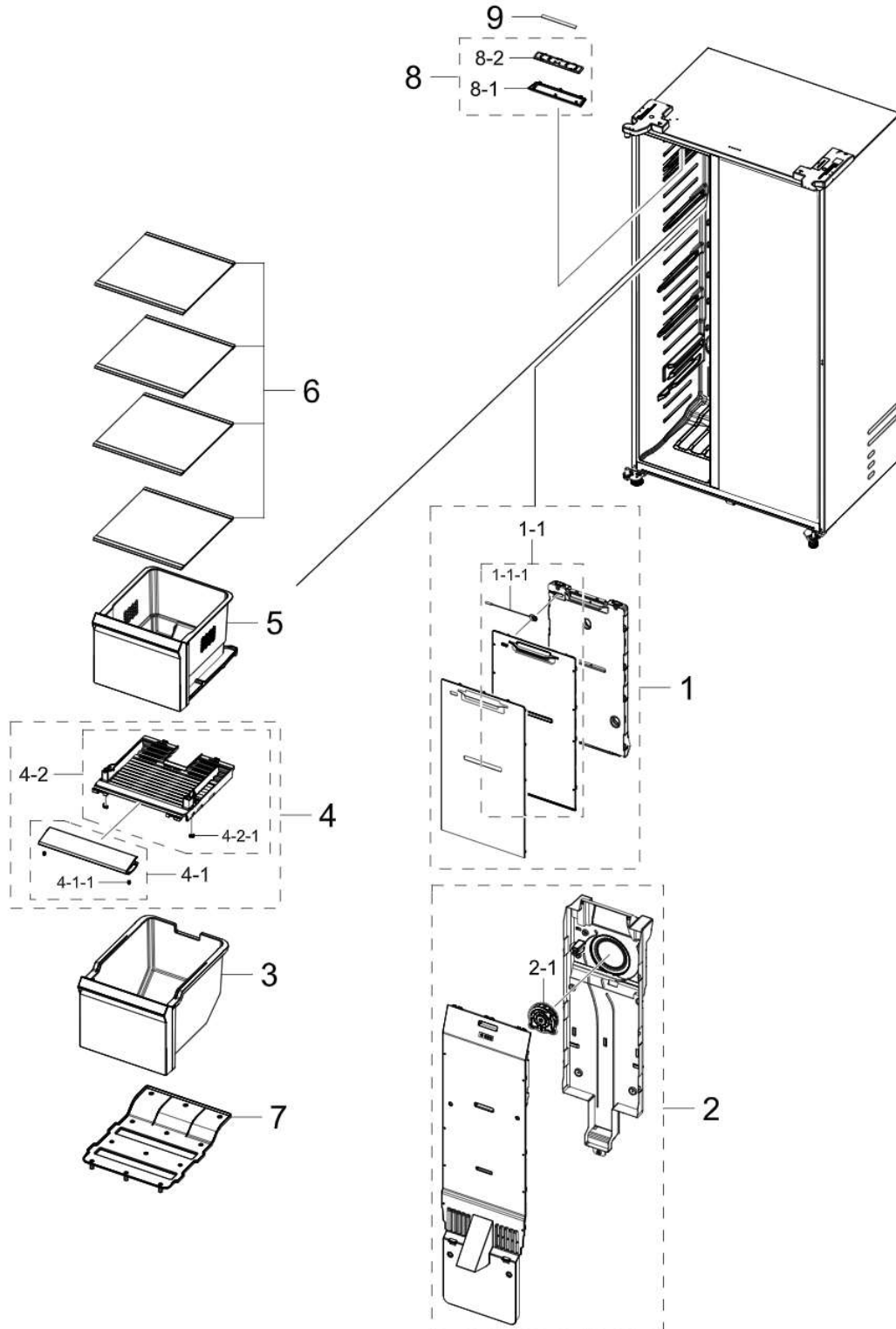


# 1. Freezer

Freezer

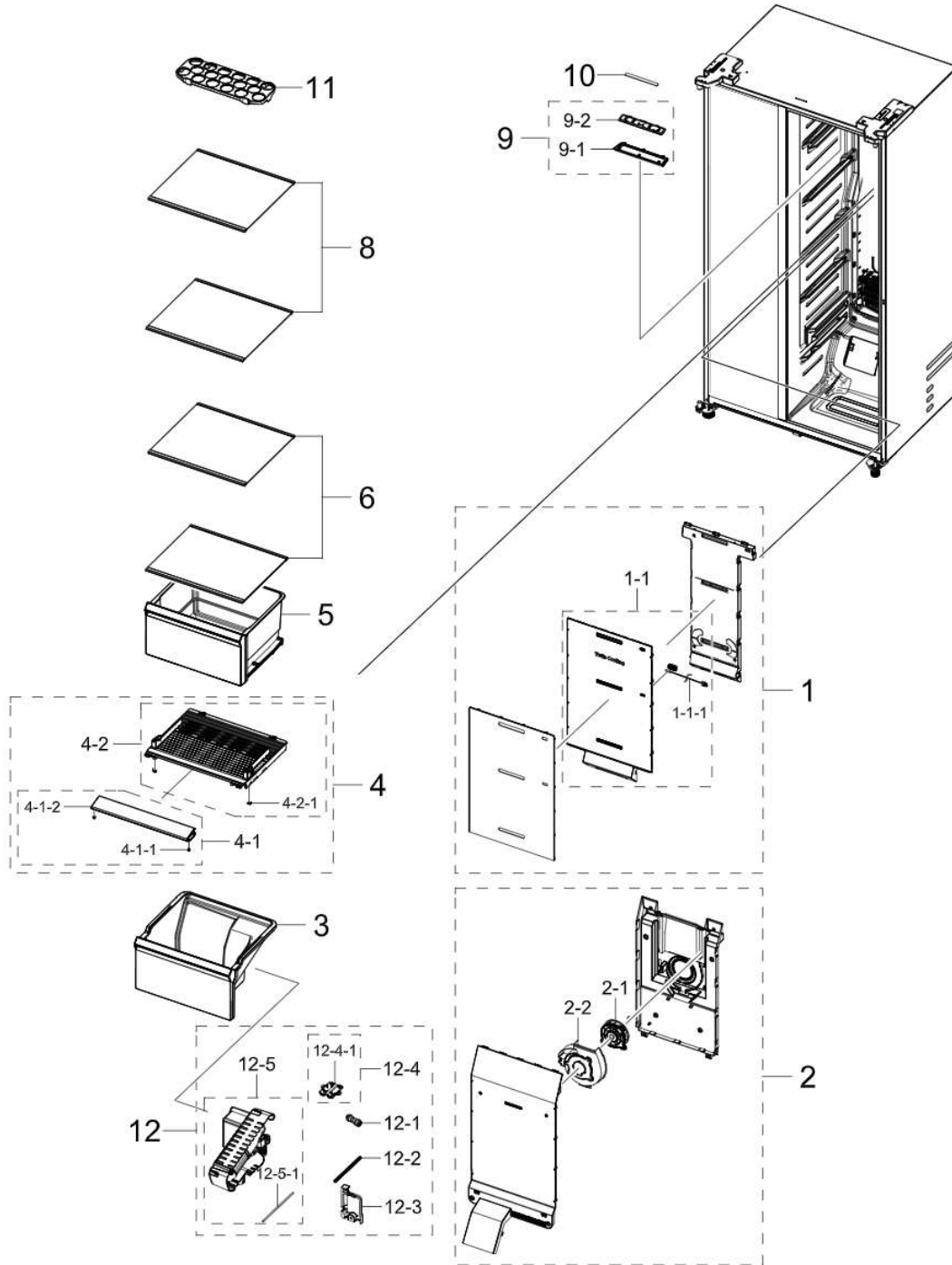
Exploded View



## 2. Refrigerator

Refrigerator

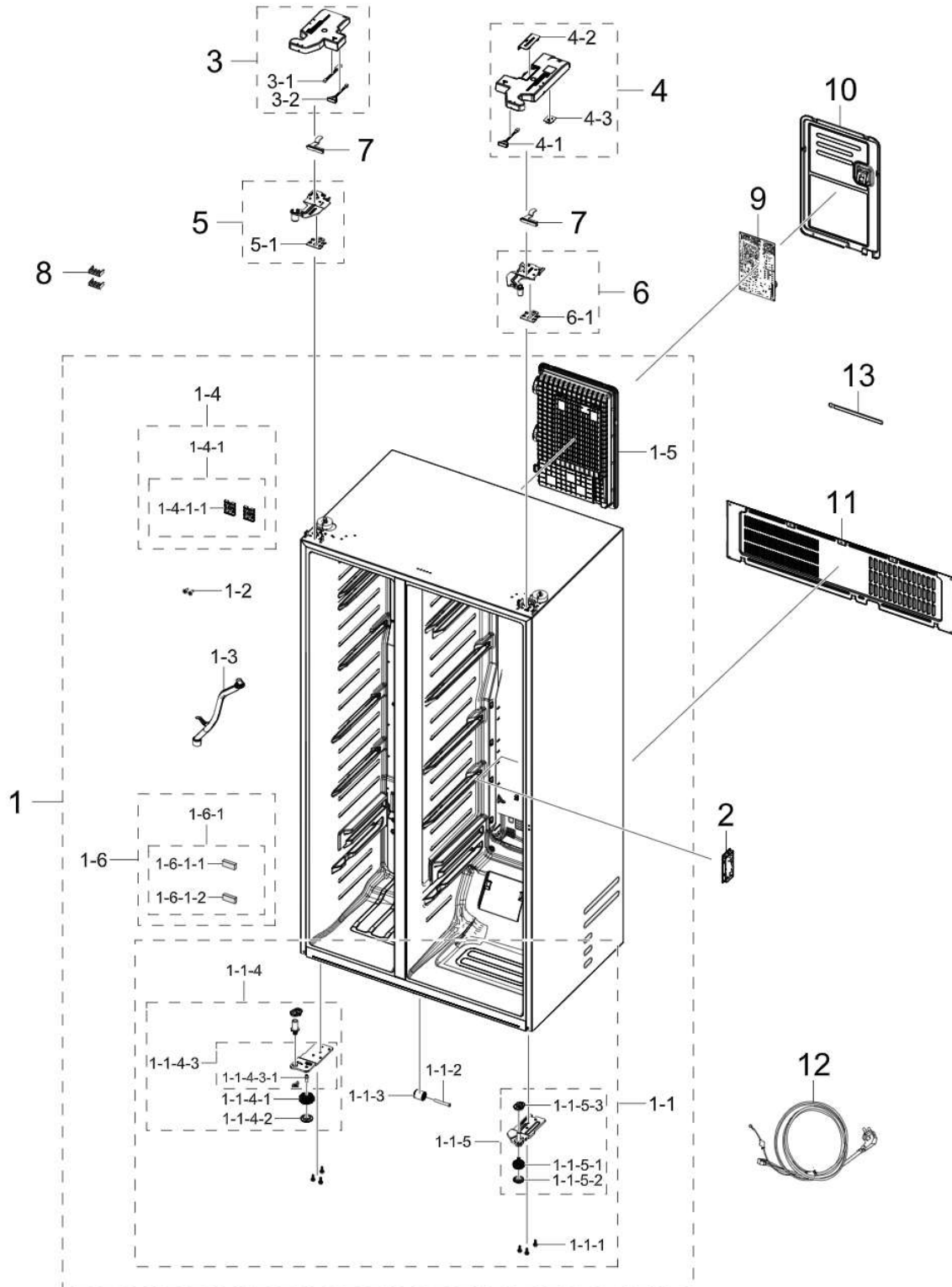
Exploded View



### 3. Cabinet

Cabinet

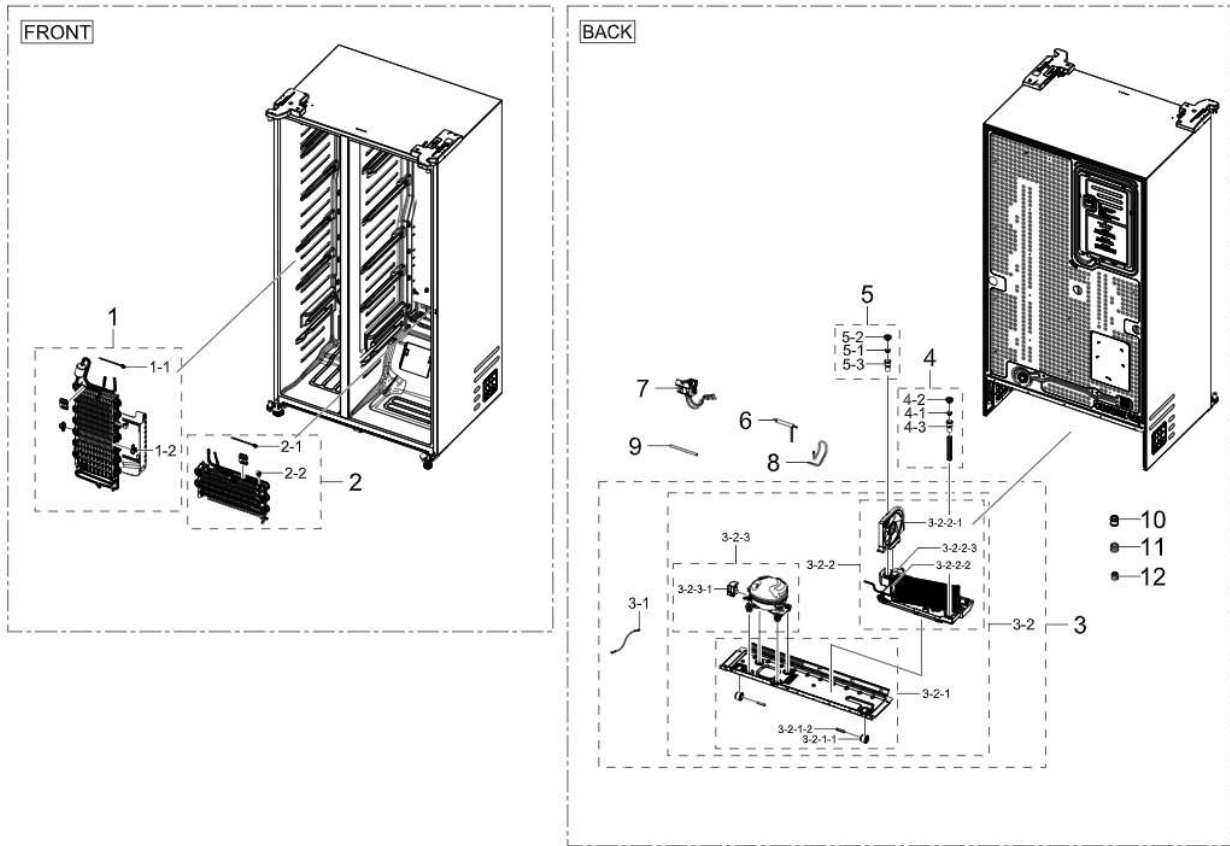
Exploded View



# 4. Cycle

Cycle

## Exploded View



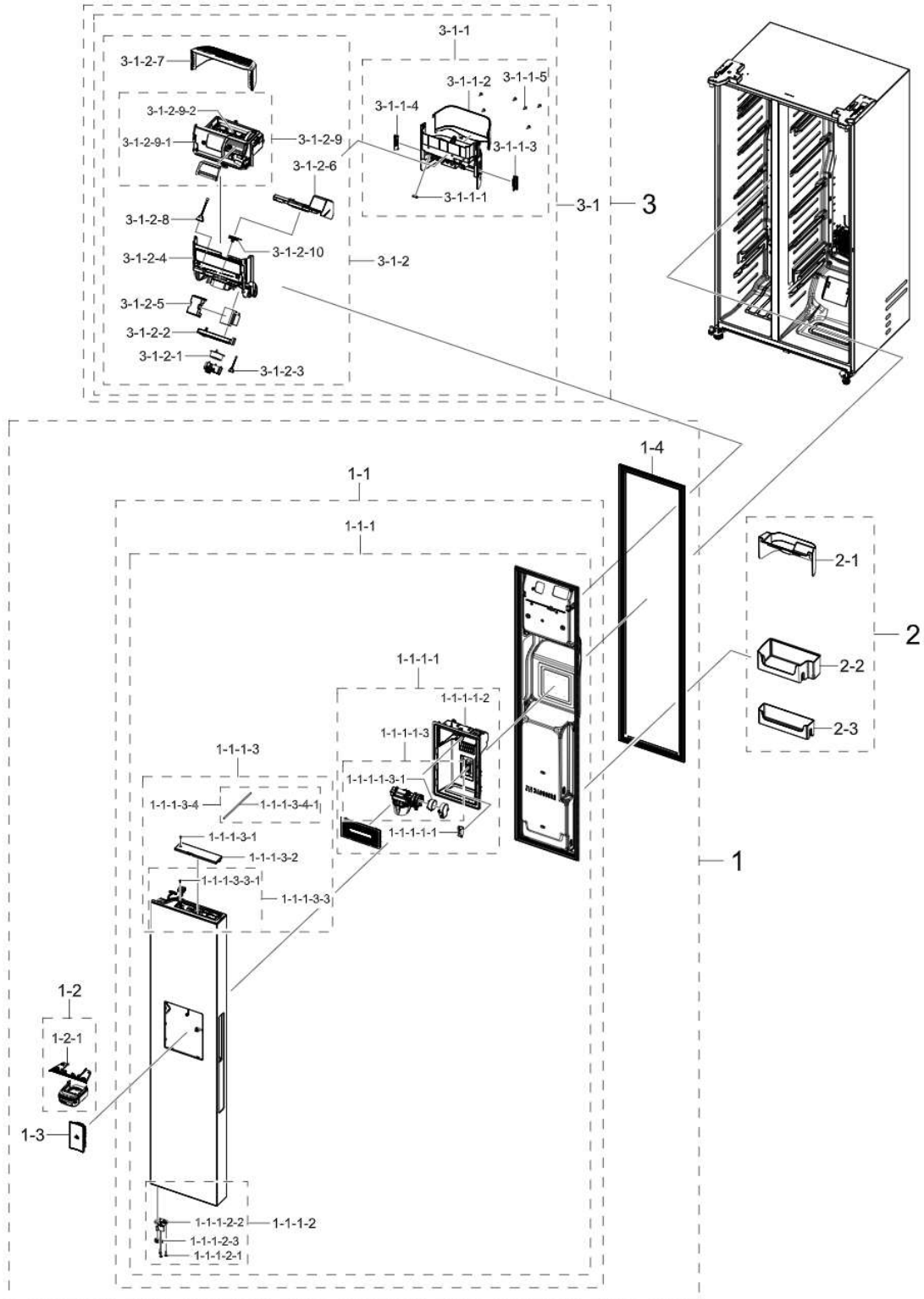
## Parts List

No.	Lvl.	Loc.	Material Code	Description & Specification	SNA	Qty.
1	2	A0163	DA96-01316C	ASSY EVAP-FRE EVAP MODULE; RS8000NC,FIN T	SA	1
1-1	3	A1018	DA32-00070Q	SENSOR TEMP; DOUBLE_INSULATION,L200,13.2k	SA	1
1-2	3	G0205	DA61-04921B	FIXER-HEATER FRE; HERMES-PJT,PP,NATURAL,F	SA	2
2	2	A0184	DA96-01318A	ASSY EVAP-REF EVAP MODULE; RS8000NC,FIN T	SA	1
2-1	3	A1018	DA32-00070Q	SENSOR TEMP; DOUBLE_INSULATION,L200,13.2k	SA	1
2-2	3		DA61-06013B	FIXER WIRE; AW3-PJT,PP,T2,NATURAL,HB,BJ75	SA	1
3	2		DA97-22145C	ASSY COMP N CONDENSING-COND MODULE; RS800	SNA	1

# 5. Door Fre

Door Fre

Exploded View



## 6. Door Ref

Door Ref

Exploded View

