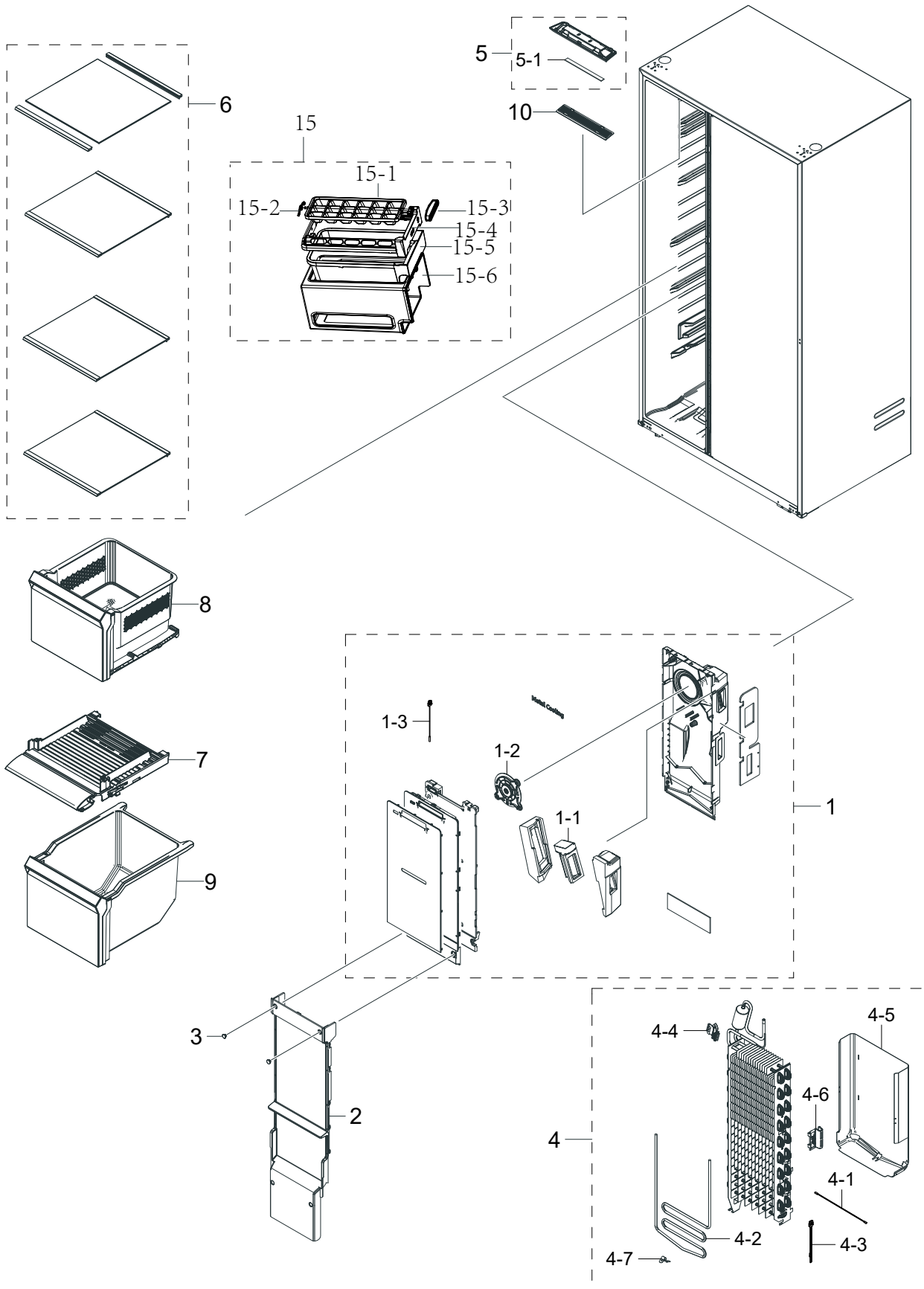


EXPLODED VIEW PART LIST

· Freezer



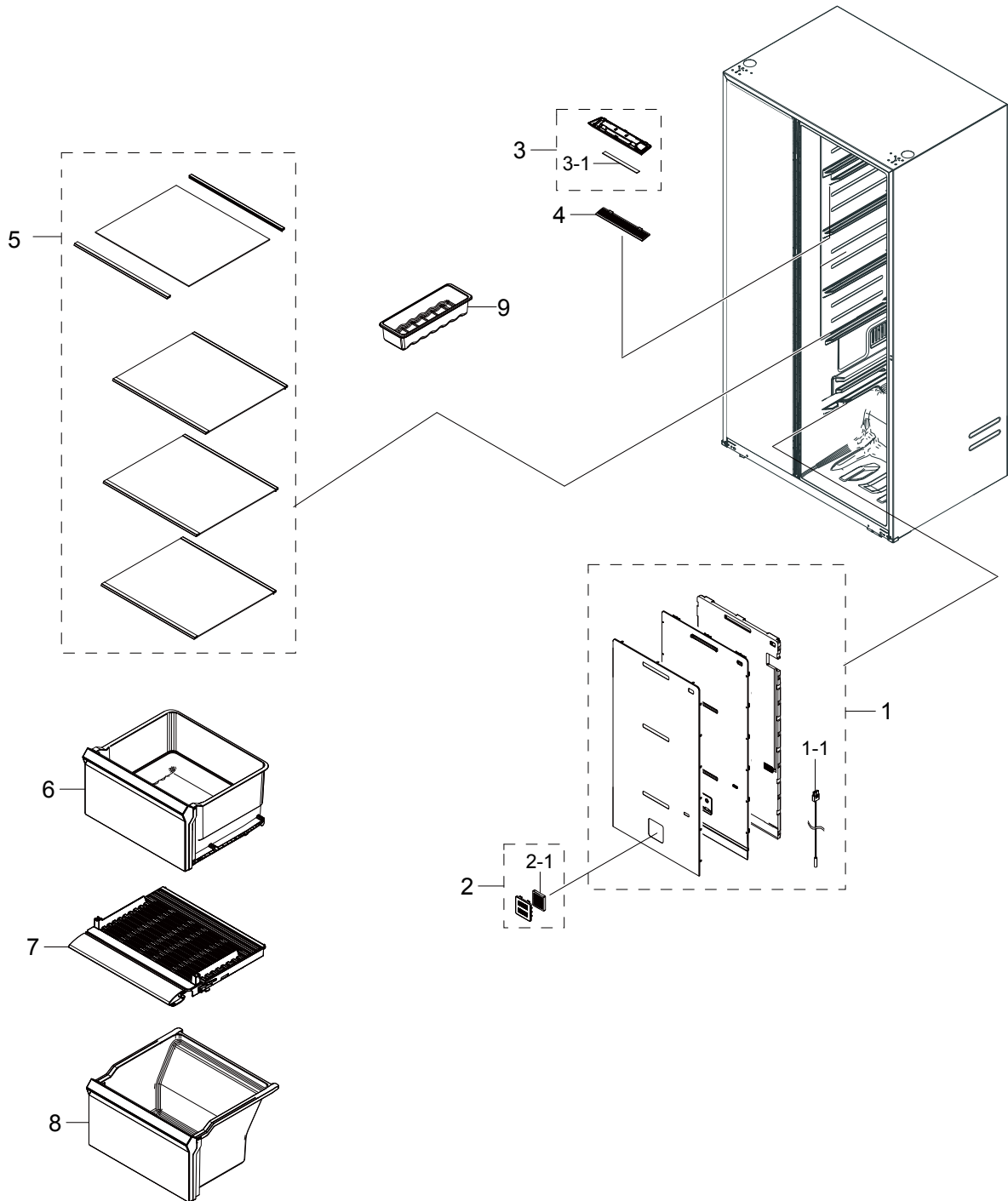
EXPLODED VIEW PART LIST

· Part list of Freezer

| No. | Parts Code | Parts Description | Spec. | Qty | SA/SNA |
|------|-------------|---------------------------------------|---|-----|--------|
| 1 | DA97-20711C | ASSY COVER MULTI-FRE | RS5000RC,PRINT | 1 | SA |
| 1-1 | DA31-00333E | MOTOR GEARED DC DAMPER | NSBA001TQ1,2.5rpm,DC12V,60mA,2.5rpm,60mA,62X50X14 3.75mm,-30to+40C,0.72W,CW/CCW,1kgf.cm,/600mm Heater 3W / Use Flat Cable | 1 | SA |
| 1-2 | DA31-00342A | MOTOR BLDC FAN | ARES2130RA/LT-W39005,1850RPM,12V,0.35A,4.2W,F135,FC connector,-30to+60C | 1 | SA |
| 1-3 | DA32-00070T | SENSOR TEMP | SC41198-021A,L700,13.2Kohm,2%,0C,7phi | 1 | SA |
| 2 | DA97-19944A | ASSY COVER EVAP-FRE COVER EVAP MODULE | RS5000RC | 1 | SA |
| 3 | DA67-30266K | CAP SCREW | A-TOP,PP,T1.5,HB,BJ750,COOL WHITE,- | 2 | SA |
| 4 | DA96-01384C | ASSY EVAP-FRE | RS5300T,Fin Tube,230V,300W,1 EVAP, R-600a | 1 | SA |
| 4-1 | DA32-00024L | SENSOR TEMP | PX-41C,L250,13.2kohm,2%,0C,7phi | 1 | SA |
| 4-2 | DA47-00522A | HEATER METAL SHEATH | AC230V,RS5000T FRE,176.3 ohm,300W,INCOLOY840,1915mm, BIMETAL,35965-9210 (2EA),MgO | 1 | SA |
| 4-3 | DA47-00301B | THERMO FUSE-ASSY | AC250V,10A,109~110V,S.O.D,ETC(WIRE) | 1 | SA |
| 4-4 | DA61-00603A | FIXER SENSOR | All model,PP,T2,BLACK,-,TYP1000 | 1 | SA |
| 4-5 | DA61-04026A | PLATE DRAIN | ES-PJT,GL-SGLCC,T0.3,-,-,-,-,- | 1 | SA |
| 4-6 | DA61-07411A | FIXER-FUSE | NW2,PP,NATURAL,BJ750 | 1 | SA |
| 4-7 | DA61-07451A | PLATE-EVAP HEATER | NW2,AI,T0.7,-,-,-,-,- | 1 | SA |
| 5 | DA97-19899A | ASSY CASE LAMP | RS5000RC,T2.0,COOL WHITE,LED 3EA | 1 | SA |
| 5-1 | DA96-01119A | ASSY LAMP LED | 3EA,FR-4,150*12,WHITE,SMAW250-(H)03G,MAX199mA,DC12V ,MIN140lx,OVER 80 | 1 | SA |
| 6 | DA97-16364A | ASSY SHELF-FRE LOW SHELF MODULE | RS6500KC | 4 | SA |
| 7 | DA97-19934A | ASSY COVER-SLIDE FRE SHELF MODULE | RS5000RC | 1 | SA |
| 8 | DA97-19924A | ASSY CASE BASKET-UP DRAWER MODULE | RS5000RC | 1 | SA |
| 9 | DA97-19929A | ASSY CASE BASKET-LOW DRAWER MODULE | RS5000RC | 1 | SA |
| 10 | DA63-05431A | COVER-LED SIDE | AW3,SBC,HB,NATURAL,KR01 | 2 | SA |
| 15 | DA97-21141B | ASSY ICE MAKER-ICE MODULE | RS5000(VIETNAM) | 1 | SA |
| 15-1 | DA63-09801B | TRAY ICE | RS5000,PP,T2.5,HB,COOL WHITE,-,BJ750,NC0001,N | 1 | SNA |
| 15-2 | DA61-20136A | SPRING ETC-ICE MAKER | SR-53EA,STS304,COIL DIA : 12.5 | 1 | SA |
| 15-3 | DA64-04461A | KNOB-TRAY ICE | 3050 TMF,HIPS,NATURAL,COOL WHITE,3351,MANUAL ICE MAKER | 1 | SA |
| 15-4 | DA61-14003B | CASE TRAY-ICE | RS5000,PP,T2.5,COOL WHITE,-,BJ750,HB,- | 1 | SNA |
| 15-5 | DA63-07331B | TRAY ICE-CUBE | 3050 PJT, RT320/290,GPPS,-,-,-,HB,TP BLUE,-,-,NO PRINTING | 1 | SA |
| 15-6 | DA61-13944A | SUPPORT ICE MAKER | RS5000T,HIPS,T2.5,S834S1,COOL WHITE | 1 | SNA |
| | | | | | |
| | | | | | |
| | | | | | |
| | | | | | |
| | | | | | |

EXPLODED VIEW PART LIST

· Fridge



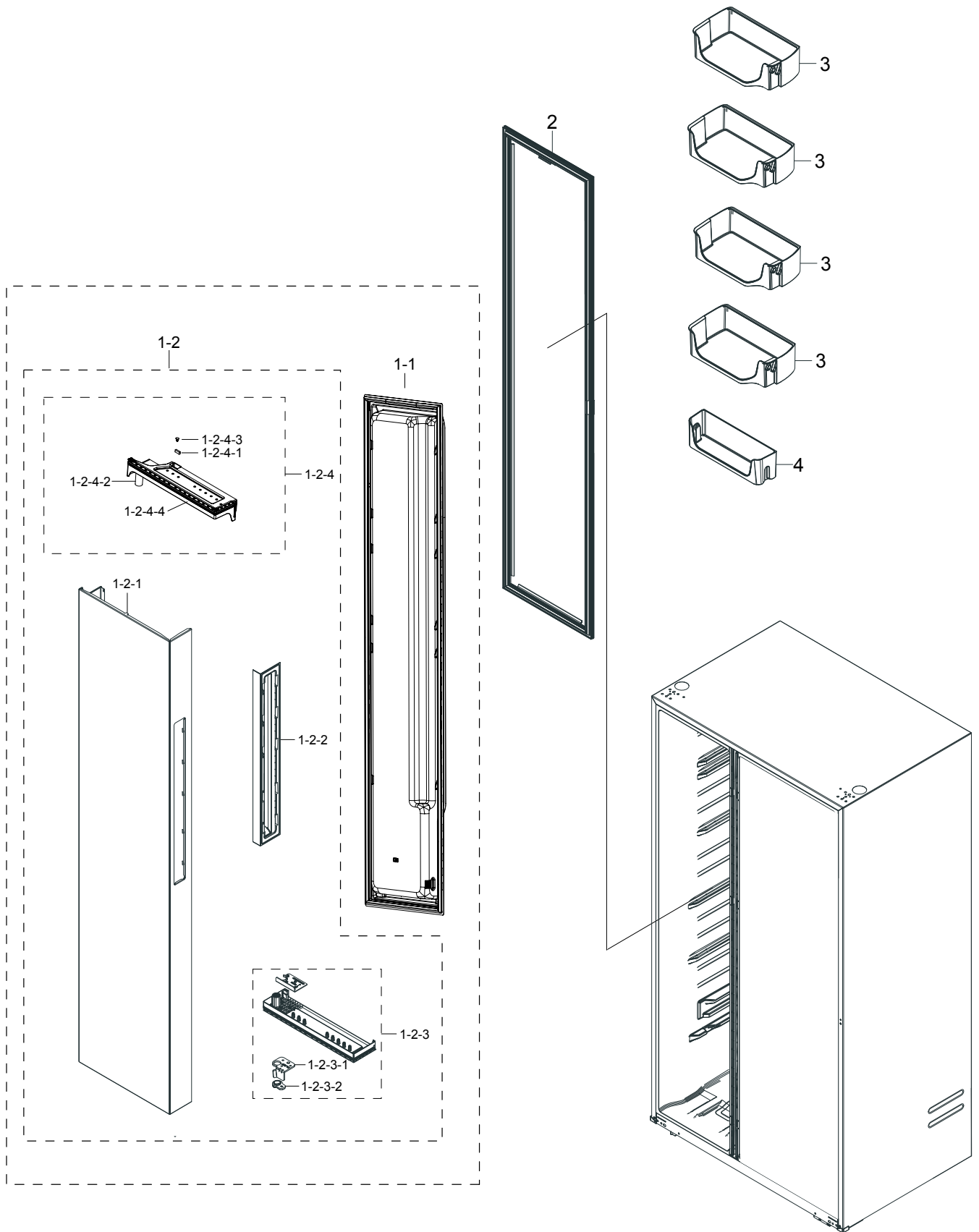
EXPLODED VIEW PART LIST

· Part list of Fridge

| No. | Parts Code | Parts Description | Spec. | Qty | SA/SNA |
|-----|-------------|-----------------------------------|--|-----|--------|
| 1 | DA97-19942B | ASSY COVER MULTI-REF MULTI MODULE | RS5000RC, NON METAL | 1 | SA |
| 1-1 | DA32-00070S | SENSOR TEMP | SC41200-021A, L650, 13.2kohm, 2%, 0C, 7phi | 1 | SA |
| 2 | DA97-18979C | ASSY COVER DEODORIZER | RS5000RC, Icon | 1 | SA |
| 2-1 | DA02-90106R | CATALYST-LTC | T5, W40, L40, Al203-SiO2 | 1 | SA |
| 3 | DA97-19899B | ASSY CASE LAMP | RS5000RC, T2, COOL WHITE, LED 5EA | 1 | SA |
| 3-1 | DA96-01119B | ASSY LAMP LED | 5, FR-4, 150*12, WHITE, SMAW250- (H)03G, 288mA~352mA, DC12V, MIN 260lx, OVER 80 | 1 | SA |
| 4 | DA63-05431A | COVER-LED SIDE | AW3, SBC, HB, NATURAL, KR01 | 2 | SA |
| 5 | DA97-16362A | ASSY SHELF-REF UP SHELF MODULE | RS6500KC | 4 | SA |
| 6 | DA97-19930A | ASSY CASE VEG-UP DRAWER MODULE | RS5000RC | 1 | SA |
| 7 | DA97-19933A | ASSY COVER-SLIDE REF SHELF MODULE | RS5000RC | 1 | SA |
| 8 | DA97-19932A | ASSY CASE VEG-LOW DRAWER MODULE | RS5000RC | 1 | SA |
| 9 | DA97-20298A | ASSY TRAY EGG | RS5000RC | 1 | SA |
| 9-1 | DA63-06420A | TRAY EGG | NW2-PJT, SSEC, GPPS, TP BLUE | 1 | SA |
| | | | | | |
| | | | | | |
| | | | | | |
| | | | | | |
| | | | | | |
| | | | | | |
| | | | | | |
| | | | | | |
| | | | | | |
| | | | | | |
| | | | | | |
| | | | | | |
| | | | | | |
| | | | | | |
| | | | | | |
| | | | | | |
| | | | | | |
| | | | | | |
| | | | | | |
| | | | | | |
| | | | | | |
| | | | | | |
| | | | | | |
| | | | | | |
| | | | | | |
| | | | | | |
| | | | | | |
| | | | | | |
| | | | | | |
| | | | | | |

EXPLODED VIEW PART LIST

• Freezer Door



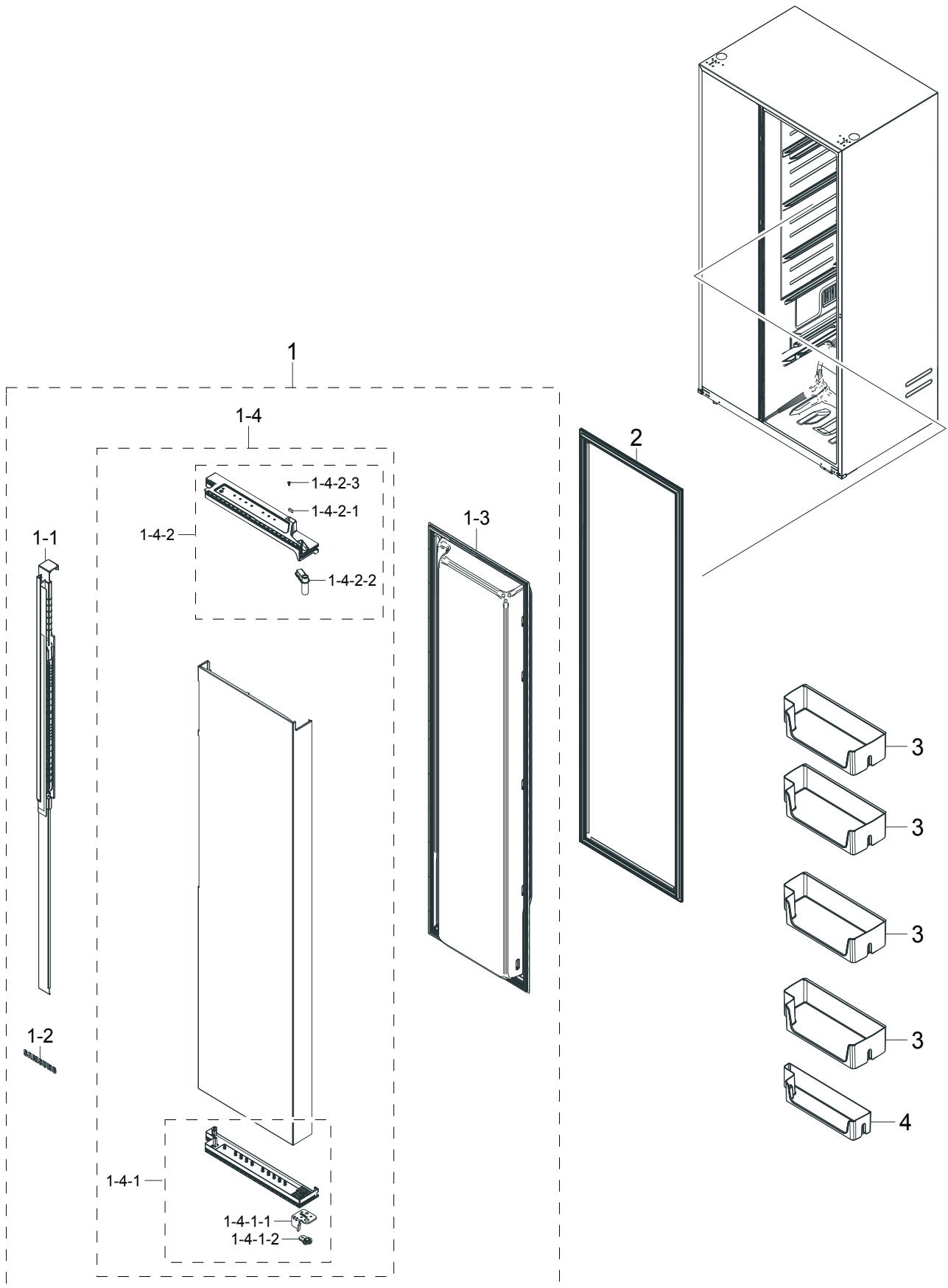
EXPLODED VIEW PART LIST

· Part list of Freezer Door

| No. | Parts Code | Parts Description | Spec. | Qty | SA/SNA |
|---------|-------------|-------------------------------|---|-----|--------|
| 1 | DA91-05032A | ASSY DOOR FOAM-FRE | RS5000RC,M9,RECESS, NO DISPENSER | 1 | SA |
| 1-1 | DA64-05923A | PANEL-FRE | RS5000RC,ABS,W370.8,L1674.1,QU-0191S,COOL WHITE,NON DISPENSER | 1 | SNA |
| 1-2 | DA97-19960A | ASSY PLATE DOOR-FRE | RS5000RC,FRE, NO DISP,RECESS,GENTLE SILVER,FLAT,FRE, NO DISP, M9 | 1 | SNA |
| 1-2-1 | DA61-13340E | PLATE DOOR-FRE | RS5000RC,GI-SGCC,T0.5,-,GENTLE SILVER_MATT,-,NO DISP,DAC-SV1801TE,PETHP | 1 | SNA |
| 1-2-2 | DA97-20161A | ASSY HANDLE-FRE | RS5000RC,BLACK,ASSY, RECESS HANDLE | 1 | SNA |
| 1-2-3 | DA97-19948B | ASSY CAP DOOR-FRE LOW | RS5000RC,ABS,BLACK,FRE LOW-NON DISPENSER | 1 | SNA |
| 1-2-3-1 | DA61-07527A | STOPPER-DOOR FRE LOW | POLARIS,PO-SPHC,T4.0 | 1 | SA |
| 1-2-3-2 | DA66-00558B | CAM HINGE-RISER UPP L | POLARIS,PA66+GF15%,BLACK,-,KN333G15,ANNEALING | 1 | SA |
| 1-2-4 | DA97-19955A | ASSY CAP DOOR-FRE UP | RS5000RC,ABS,INOX GRAY,FRE UP, NO DISP | 1 | SNA |
| 1-2-4-1 | DA61-03949A | MAGNET | ES-PJT,SSEC,FERRITE,1600Gauss | 1 | SA |
| 1-2-4-2 | DA63-04182A | GROMMET HINGE-UPP | GUGGENHEIM,POM,NATURAL,KN3311 | 1 | SA |
| 1-2-4-3 | DA67-03067A | CAP-SHAFT HOLE | NW2-PJT,SSEC,PP,-,BJ750,NATURAL,- | 1 | SA |
| 1-2-4-4 | DA67-04744A | CAP DOOR-FRE UP | RS5000RC,HIPS,T2.3,HB,S834S1,INOX GRAY,NO DISP, GY0034 | 1 | SNA |
| 2 | DA97-21842A | ASSY GASKET-FRE | RS5000RC,DARK GRAY,H1642.5,W346.5 | 1 | SA |
| 3 | DA63-09491A | GUARD-FRE UP DOOR BIN MODULE | RS5000RC,GPPS,T3,TP BLUE | 4 | SA |
| 4 | DA63-09492A | GUARD-FRE LOW DOOR BIN MODULE | RS5000RC,GPPS,T3,TP BLUE | 1 | SA |
| | | | | | |
| | | | | | |
| | | | | | |
| | | | | | |
| | | | | | |
| | | | | | |
| | | | | | |
| | | | | | |
| | | | | | |
| | | | | | |
| | | | | | |
| | | | | | |
| | | | | | |
| | | | | | |
| | | | | | |
| | | | | | |
| | | | | | |
| | | | | | |
| | | | | | |
| | | | | | |
| | | | | | |
| | | | | | |

EXPLODED VIEW PART LIST

· Fridge Door



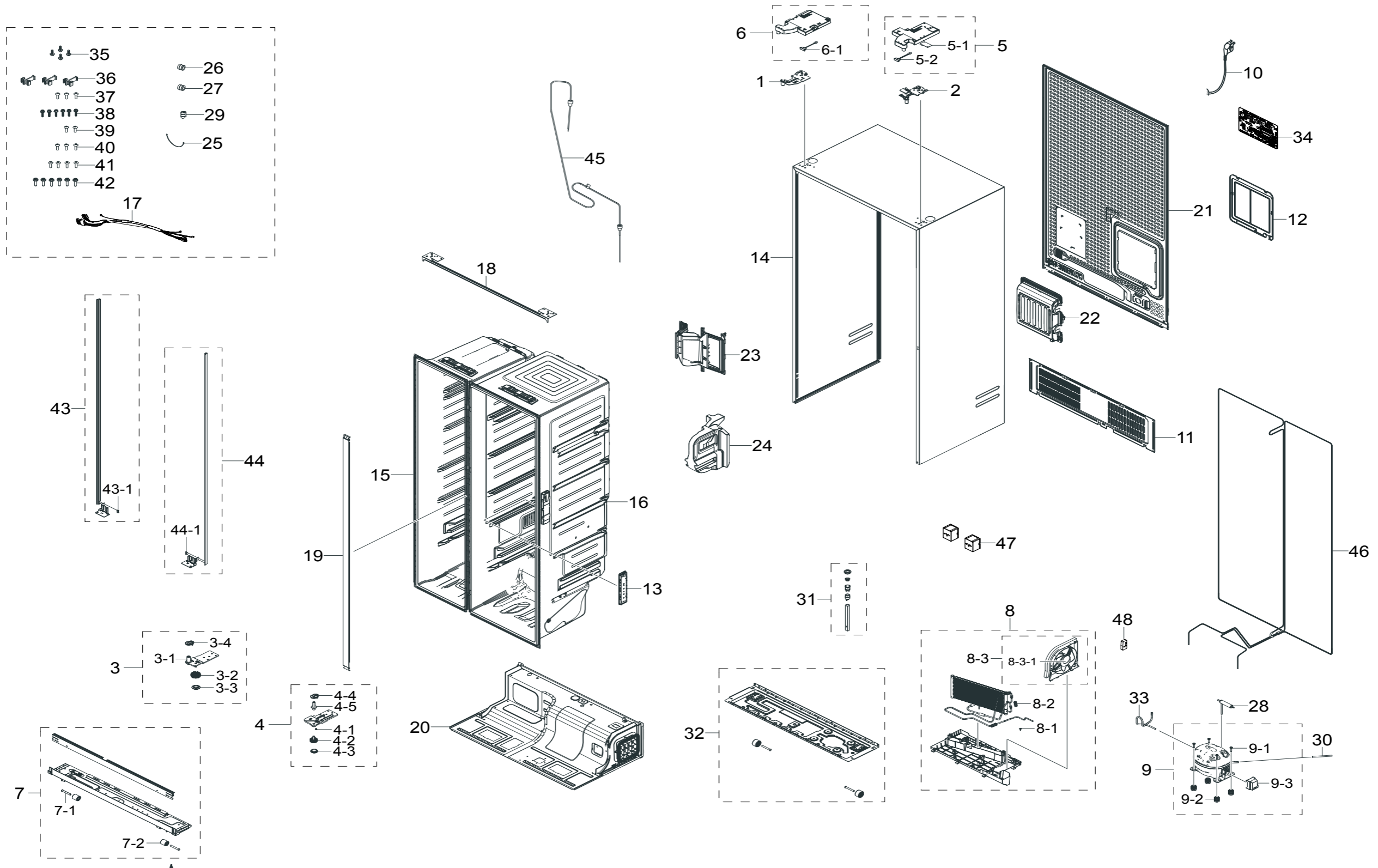
EXPLODED VIEW PART LIST

· Parts List of Fridge Door

| No. | Parts Code | Parts Description | Spec. | Qty | SA/SNA |
|---------|-------------|-------------------------------|---|-----|--------|
| 1 | DA91-05027A | ASSY DOOR FOAM-REF | RS5000RC,M9,2DOOR,RECESS | 1 | SA |
| 1-1 | DA61-08444A | REINF-PANEL | HM10-SEPM,CR-SPCC,T0.8,-,- | 1 | SNA |
| 1-2 | DA64-04020A | MASCOT | Al,Ni | 1 | SA |
| 1-3 | DA64-05919A | PANEL-REF | RS5000RC,ABS,W495.4,L1674.1,QU-0191S,COOL WHITE | 1 | SNA |
| 1-4 | DA97-19957A | ASSY PLATE DOOR-REF | RS5000RC,REF,RECESS,GENTLE SILVER,FLAT,M9 | 1 | SNA |
| 1-4-1 | DA97-19949A | ASSY CAP DOOR-REF LOW | RS5000RC,ABS,BLACK,2DOOR, REF LOW | 1 | SNA |
| 1-4-1-1 | DA61-07526A | STOPPER-DOOR REF LOW | POLARIS,PO-SPHC,T4.0 | 1 | SA |
| 1-4-1-2 | DA66-00557A | CAM HINGE-RISER UPP R | GUGGENHEIM,PA66+GF15%,BLACK,-,KN333G15 | 1 | SA |
| 1-4-2 | DA97-19953A | ASSY CAP DOOR-REF UP | RS5000RC,ABS,INOX GRAY,2 Door,No Deco | 1 | SNA |
| 1-4-2-1 | DA61-03949A | MAGNET | ES-PJT,SSEC,FERRITE,1600Gauss | 1 | SA |
| 1-4-2-2 | DA63-04182A | GROMMET HINGE-UPP | GUGGENHEIM,POM,NATURAL,KN3311 | 1 | SA |
| 1-4-2-3 | DA67-03067A | CAP-SHAFT HOLE | NW2-PJT,SSEC,PP,-,-,BJ750,NATURAL,- | 1 | SA |
| 2 | DA97-22253A | ASSY GASKET-REF | RS5000,DARK GRAY,H1642.5,W471.5 | 1 | SA |
| 3 | DA63-09551A | GUARD-REF UP DOOR BIN MODULE | RS5000RC,GPPS,T3,TP BLUE | 3 | SA |
| 4 | DA63-09552A | GUARD-REF LOW DOOR BIN MODULE | RS5000RC,GPPS,T3,TP BLUE,-,-,HH104 | 1 | SA |
| | | | | | |
| | | | | | |
| | | | | | |
| | | | | | |
| | | | | | |
| | | | | | |
| | | | | | |
| | | | | | |
| | | | | | |
| | | | | | |
| | | | | | |
| | | | | | |
| | | | | | |
| | | | | | |
| | | | | | |
| | | | | | |
| | | | | | |
| | | | | | |
| | | | | | |
| | | | | | |
| | | | | | |
| | | | | | |
| | | | | | |
| | | | | | |
| | | | | | |
| | | | | | |
| | | | | | |
| | | | | | |
| | | | | | |
| | | | | | |
| | | | | | |

EXPLODED VIEW PART LIST

· Cabinet



EXPLODED VIEW PART LIST

· Parts List of Cabinet

| No. | Parts Code | Parts Description | Spec. | Qty | SA/SNA |
|-------|----------------|------------------------------|---|-----|--------|
| 1 | DA97-14040B | ASSY HINGE-UP LEFT | RS5000RC,T3 | 1 | SA |
| 2 | DA97-14044B | ASSY HINGE-UP RIGHT | RS5000RC,T3 | 1 | SA |
| 3 | DA97-14046G | ASSY HINGE-LOW LEFT | RS5000RC,T5 | 1 | SA |
| 3-1 | 6002-000217 | SCREW-TAPPING | TH,+ ,NO,1,M4,L8,ZPC(WHT),SWRCH18A | 1 | SNA |
| 3-2 | DA61-07972B | FOOT-FRONT | POLARIS,PP,BLACK,-,P-002HB,INSERT NUT,PP_S | 1 | SA |
| 3-3 | DA61-07973B | FOOT | POLARIS,PP,BLACK,-,P-002HB,PP_S | 1 | SA |
| 3-4 | DA66-01127A | CAM RISER-FRE LOW | FSR CD,PA66+GF15%,BLACK,-,KN333G15,ANNEALING | 1 | SA |
| 4 | DA97-14047E | ASSY HINGE-LOW RIGHT | RS5000RC,T7 | 1 | SA |
| 4-1 | 6002-000217 | SCREW-TAPPING | TH,+ ,NO,1,M4,L8,ZPC(WHT),SWRCH18A | 1 | SNA |
| 4-2 | DA61-09458A | FOOT-FRONT | PP,I BLACK,0103-001846,0103-007621,BJ750 | 1 | SA |
| 4-3 | DA61-09459A | FOOT | PP,I BLACK,0103-001846,0103-007621,BJ750 | 1 | SA |
| 4-4 | DA66-00891A | CAM-HINGE RISER REF LOW | MONTES ALPHA,PA66+GF15%,BLACK,-,KN333G15,ANNEALING | 1 | SA |
| 4-5 | DA66-00911C | SHAFT HINGE | POLARIS,SWRCH10A,-,-,WHITE,-,-,-,FORGING PROCESSING | 1 | SNA |
| 5 | DA97-19900H | ASSY COVER HINGE-UP RIGHT | RS5000RC,HIPS,T2.3,INOX GRAY,WIFI Program upgrade | 1 | SA |
| 5-1 | DA34-00043A | SWITCH REED | UL1007 AWG 22,100mm,DEM1-B5034,13mm,25mm,100mm | 1 | SNA |
| 5-2 | DA92-00817A | ASSY MODULE | BUZZER PBA,RB6000K,Standard | 1 | SA |
| 6 | DA97-19901A | ASSY COVER HINGE-UP LEFT | RS5000RC,HIPS,T2.3,INOX GRAY | 1 | SA |
| 6-1 | DA34-00043A | SWITCH REED | UL1007 AWG 22,100mm,DEM1-B5034,13mm,25mm,100mm | 1 | SNA |
| 7 | DA97-16686K | ASSY CABI FRAME-LOW | RS5000RC,SVA,COOL WHITE,Flame retardant | 1 | SNA |
| 7-1 | DA61-01920A | FIXER-CASTER | ZPC2,SWRCH10A,OD8.0,L58 | 2 | SA |
| 7-2 | DA61-07592B | CASTER-FRONT | RS6500K,PP,BLACK,BLACK | 2 | SA |
| 8 | DA97-19918A | ASSY TRAY DRAIN WATER | RS5000RC,PFC B(FLAT), C150,T1.5 | 1 | SA |
| 8-1 | DA60-10130B | SCREW-TAPPING | TH,-,-,M4.2,L13,ZPC(WHT),SWRCH18A,-,- | 2 | SA |
| 8-2 | DA63-07323A | GROMMET-IMMERSION PIPE B | ROMANEE CONTI,NBR,BLACK | 4 | SA |
| 8-3 | DA97-20025B | ASSY SUPPORT-CIRCUIT MOTOR | RS5000RC,C160N,Flat Cable Connector | 1 | SA |
| 8-3-1 | DA31-00348B | MOTOR BLDC FAN | Z19W12MS1A5-52K09,1080rpm,12V,0.11A,1.32W,C160N,Flat Cable Connector | 1 | SNA |
| 9 | NO14C9151AKTT1 | CMP,COMP,REFRIGERATOR,R600A | 0 | 1 | - |
| 9-1 | 6011-004061 | BOLT-HEX | M6,L43.6,ZPC(SILVER),HH,SOCKET,SWRCH10A | 4 | SA |
| 9-2 | DA63-02617C | GROMMET COMP | NN34J9902AP,IR,BLACK,H28.3, L21.3 | 4 | SA |
| 9-3 | DA63-06122A | COVER RELAY | MSV,MPPE,T2,BLACK,N300X,V-0 | 1 | SA |
| 10 | 3903-001011 | POWER CORD-AT | H05VV-F 3x0.75mm2,BLK,EU3F,250V/16A,Fuse N,SCREW 1, 2P Housing(W to W),L1700,L1500,20/100/100/200,E.U/KOR, VDE/KC,Label Y | 1 | SA |
| 11 | DA97-19123B | ASSY COVER COMP | RS5000RC,GI-SGCC,T0.25,Indonesia | 1 | SA |
| 12 | DA97-19902A | ASSY COVER PCB-PANEL | RS5000RC,GI-SGCC,T0.5 | 1 | SA |
| 13 | DA97-24988A | ASSY COVER CONTROL | RS5000,2-DOOR,NON-DISP,WIFI | 1 | SA |
| 14 | DA64-05935A | CABI FRAME | RS5000RC,GI-SGCC,T0.45,URBAN SILVER,PCMEM | 1 | SNA |
| 15 | DA94-04691A | ASSY LINER-FRE | RS5000RC | 1 | SNA |
| 16 | DA94-04692B | ASSY LINER-REF | RS5000RC,2DOOR,NO DISPENSER | 1 | SNA |
| 17 | DA96-01666C | ASSY WIRE HARNESS-MAIN | RS5000DC,Global,2D,Basic,SBS,NA,NA,NA,FREE VOLT,UL+IEC, UL,UL,BACK LEFT BOTTOM,LEFT1,INV,BLDC,BLDC, DC,DC,2,NA,2,Glob | 1 | SNA |
| 18 | DA97-05768D | ASSY REINF-REF UP | RS5000RC | 1 | SNA |
| 19 | DA97-07707L | ASSY CABI FRAME-MIDDLE FRONT | RS5000RC,0.6,COOL WHITE | 1 | SNA |
| 20 | DA97-19961N | ASSY CABI-BOTTOM REAR | RS5000RC,SVA,Basic,Step Valve | 1 | SNA |
| 21 | DA97-19966A | ASSY CABI-REAR | RS5000RC,NON PLUMBING | 1 | SNA |

EXPLODED VIEW PART LIST

· Parts List of Cabinet

| No. | Parts Code | Parts Description | Spec. | Qty | SA/SNA |
|--------|-------------|-------------------------|--|-----|--------|
| 22 | DA97-19967B | ASSY CASE PBA-MAIN | RS5000RC,SVA | 1 | SNA |
| 23 | DA97-19969A | ASSY DUCT-UP | RS5000RC | 1 | SNA |
| 24 | DA97-19971A | ASSY DUCT-LOW | RS5000RC,PS FOAM | 1 | SNA |
| 25 | DA39-00429D | ASSY WIRE HARNESS-EARTH | EARTH,ALL,FREE VOLT,UL+IEC,UL,120mm,1,ST710489-3*2,UL | 1 | SA |
| 26 | DA60-00280A | FITTING-LOKRING 33 | SUM23,ID3/16,33,11SMnPb30K | 1 | SA |
| 27 | DA60-00281A | FITTING LOCK SLEEVE | SUM23,ID5.02,11SMnPb30K,St 56 | 1 | SA |
| 28 | DA62-04309A | DRYER | C1220T-H,L137,SINGLE MOUTH,OD15.8,9g,,,-,-,For VALVE | 1 | SA |
| 29 | DA63-08943A | GROMMET | BRR9000M,NBR,CABI GROMMET | 1 | SA |
| 30 | DA73-00050G | PIPE-CONN | Cu,OD6.35,T0.6 | 1 | SA |
| 31 | DA97-20826A | ASSY CAP DRAIN | RS5000T,Perfomance improvement | 1 | SA |
| 32 | DA97-19917B | ASSY CHASSIS COMP | RS5000RC,GI-SGCC,T1.0,Handle | 1 | SA |
| 33 | DA97-20233A | ASSY PIPE CONNECT | RS5000RC,PIPE CONNECT SUCTION + Solder ring,,,-,-,-,-,-,- | 1 | SNA |
| 33-1 | DA62-05167A | PIPE CONNECT-SUCTION | RS8000NC,Cu,OD6.35,T0.6 | 1 | SA |
| 34 | DA94-08894K | ASSY PCB EEPROM | 0x07,RS5000DC,DA92-01792B | 1 | SA |
| 34-1 | DA92-01792B | ASSY PCB MAIN | RS5000DC,165*242,220V,Basic,step valve,UV,FSR HEATER, FLEXZONE,REACTOR,Y,SMPS,Standard | 1 | SNA |
| 34-1-1 | 2203-007392 | C-CER,CHIP | 2.2uF,10%,16V,X5R,TP,1005,T0.5,-55to+85C,General | 1 | SNA |
| 35 | DA60-10124A | BOLT-HEX | M6,L16,ZPC(WHT),SWRCH18A,HWH Head | 4 | SA |
| 36 | DA61-13371A | FIXER | RH9000,PVC,T1.5,NATURAL,CABI MID FRONT(FLAT) | 2 | SNA |
| 37 | DA60-10130B | SCREW-TAPPING | TH,,,-,M4.2,L13,ZPC(WHT),SWRCH18A,,,- | 2 | SA |
| 38 | DA60-10123C | BOLT-HEX | M6,L24,ZPC(WHT),SWRCH18A,HWH Head, 1018K | 6 | SA |
| 39 | DA60-10130B | SCREW-TAPPING | TH,,,-,M4.2,L13,ZPC(WHT),SWRCH18A,,,- | 2 | SA |
| 40 | DA60-10130B | SCREW-TAPPING | TH,,,-,M4.2,L13,ZPC(WHT),SWRCH18A,,,- | 2 | SA |
| 41 | DA60-10130B | SCREW-TAPPING | TH,,,-,M4.2,L13,ZPC(WHT),SWRCH18A,,,- | 2 | SA |
| 42 | DA61-02049A | FIXER-SCREW | SSEC,SWRCH18A,,,-,-,-,BOLT,6*16 | 6 | SA |
| 43 | DA97-19926A | ASSY REINF-LEFT | RS5000RC | 1 | SNA |
| 43-1 | 6002-000217 | SCREW-TAPPING | TH,+,-,NO,1,M4,L8,ZPC(WHT),SWRCH18A | 1 | SNA |
| 44 | DA97-19927A | ASSY REINF-RIGHT | RS5000RC | 1 | SNA |
| 44-1 | 6002-000217 | SCREW-TAPPING | TH,+,-,NO,1,M4,L8,ZPC(WHT),SWRCH18A | 1 | SNA |
| 45 | DA97-20551C | ASSY PIPE SUCTION | RS5000DC,OD7.94,T0.45,C1220T,,,-,-,-,-,-,-,- | 1 | SNA |
| 46 | DA97-19916A | ASSY PIPE HOT | RS5000RC,2DOOR,,,-,-,-,-,-,-,-,-,-,- | 1 | SNA |
| 47 | DA63-03788B | COVER-FIXER HOUSING | W07,GI-SGCC,T0.4 | 2 | SA |
| 48 | DA62-02507A | SEAL GUIDE PIPE | RB5000J,PE FOAM,T20,FIX DRYER/CABI, Dinking | 1 | SA |