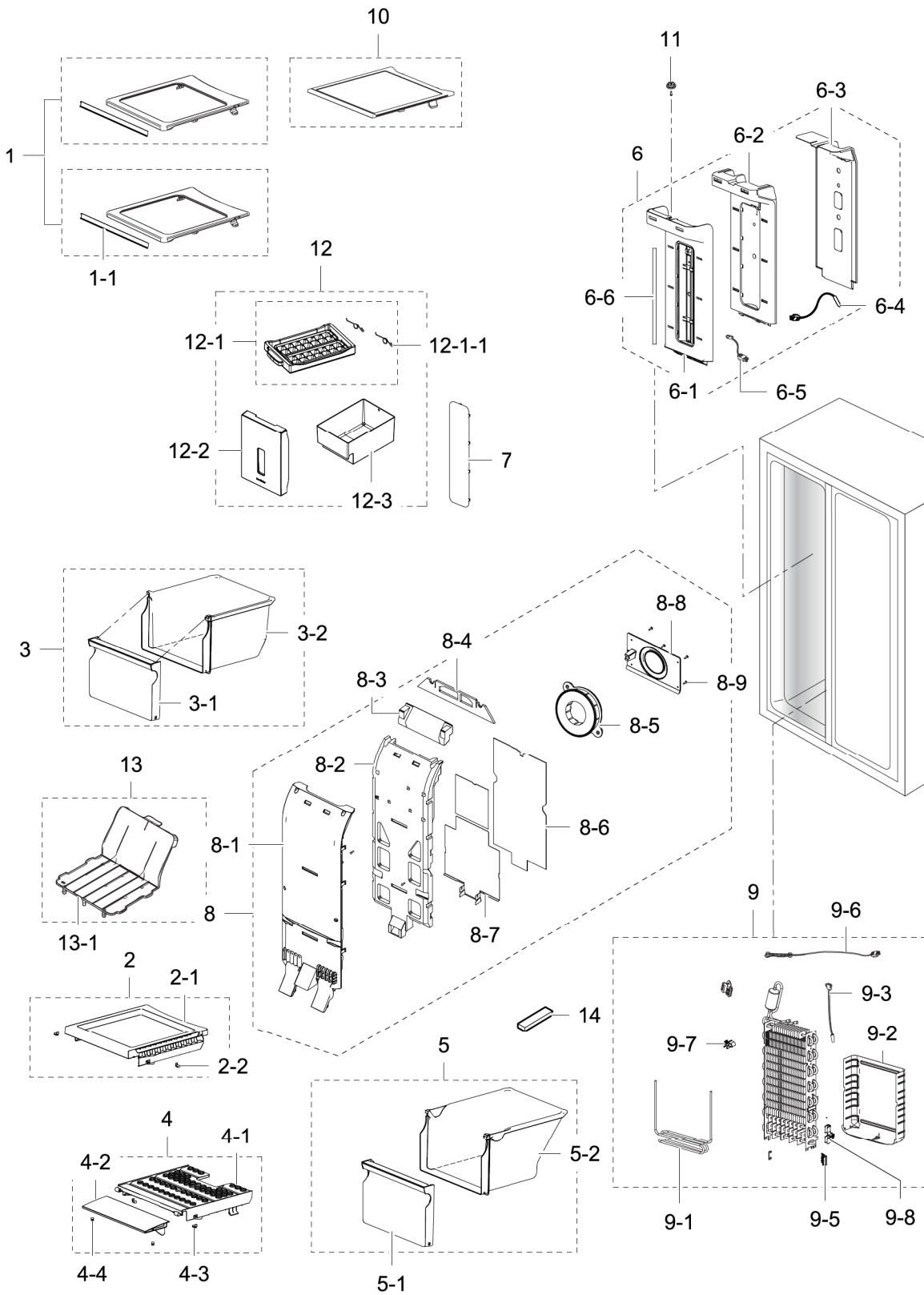


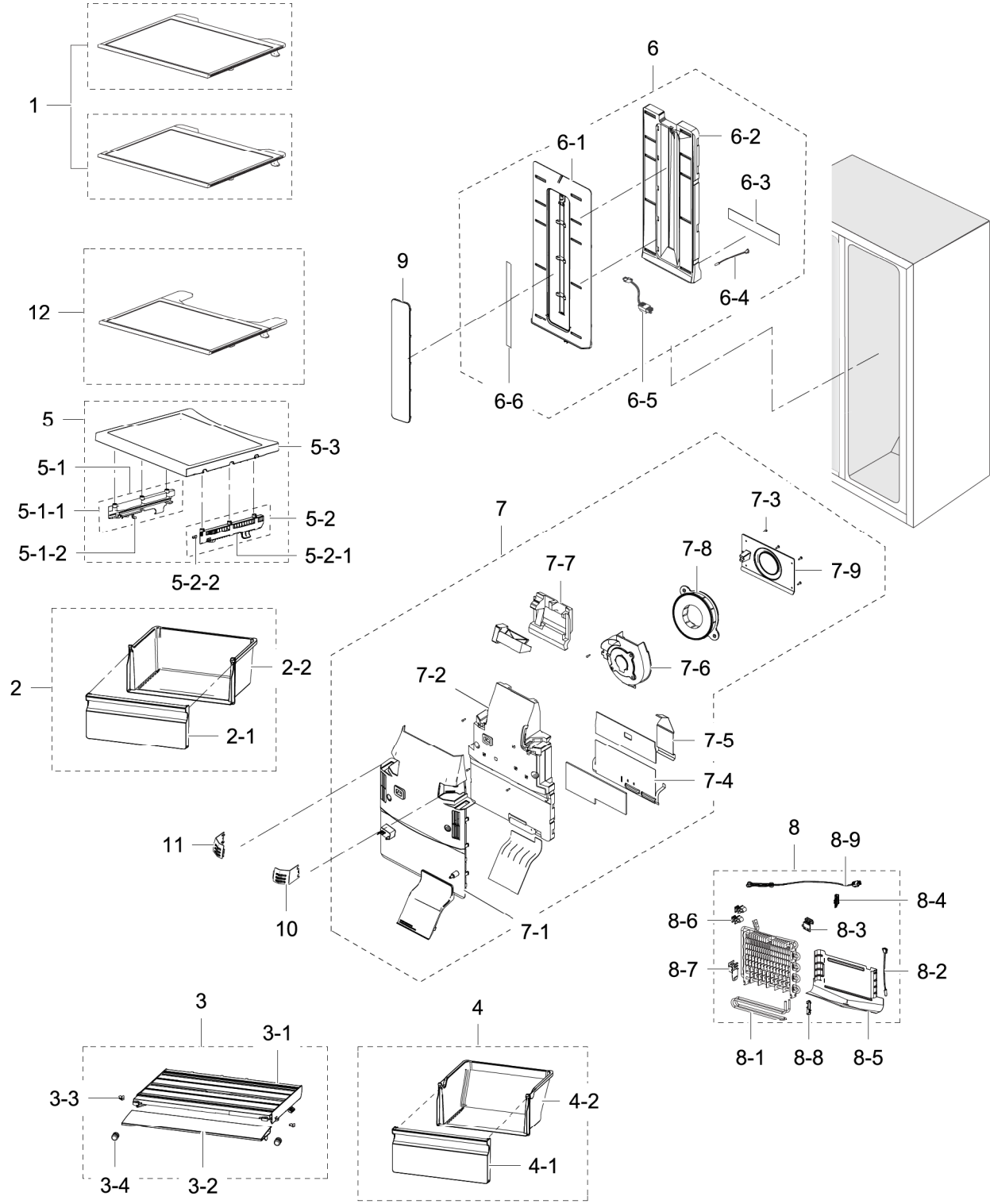
1. Freezer

Exploded View



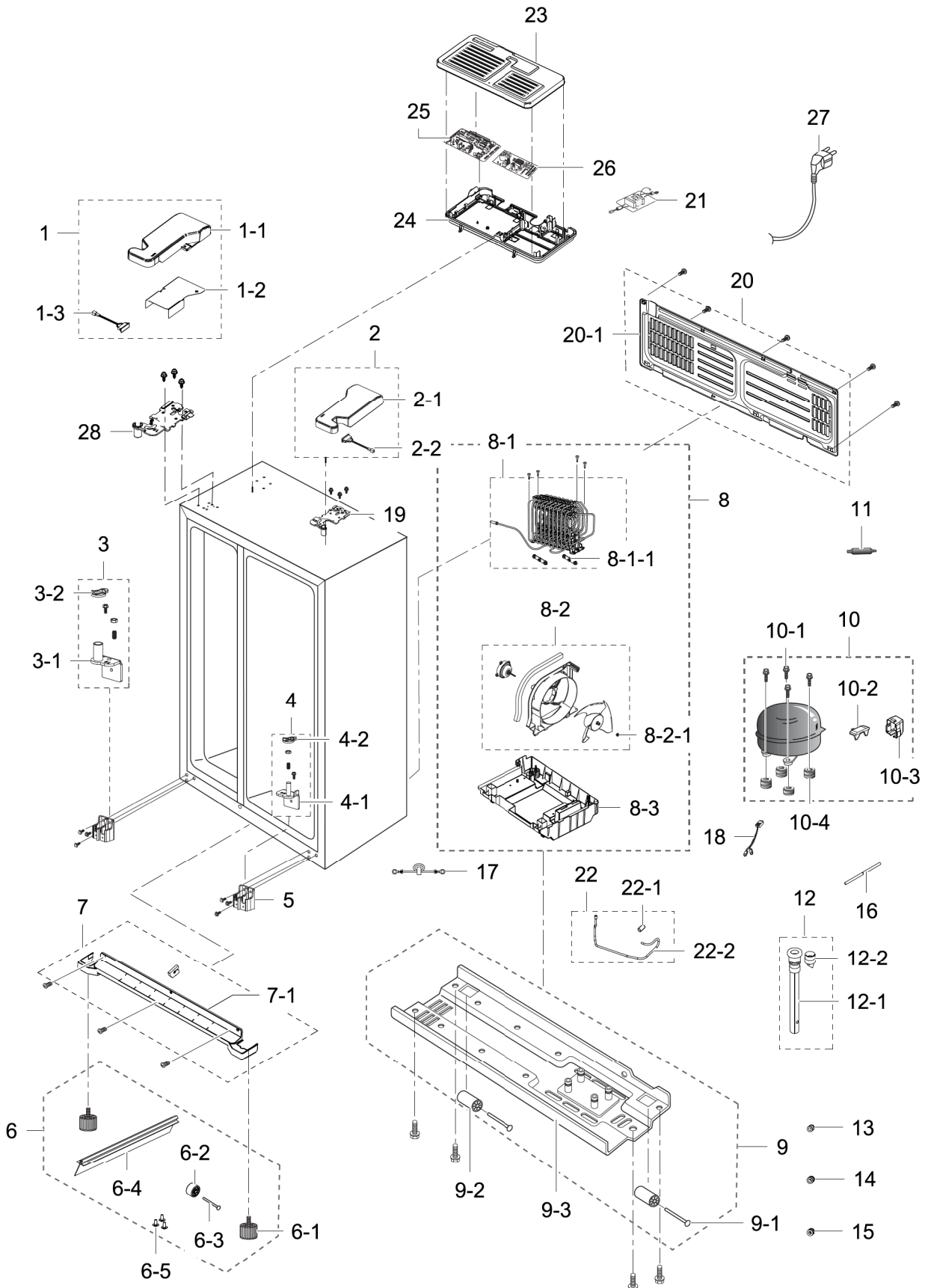
2. Fridge

Exploded View



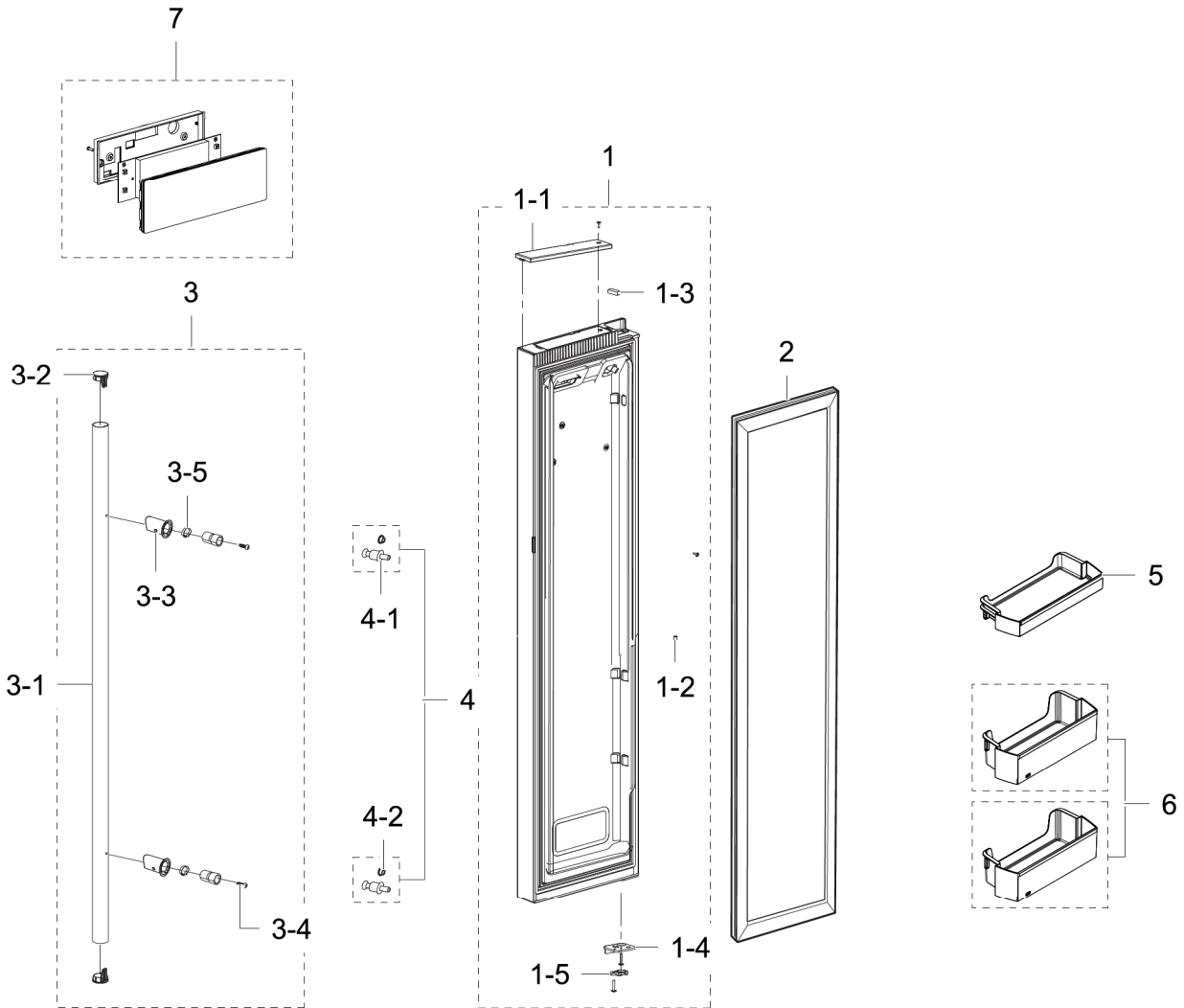
3. Cabinet

Exploded View



4. Freezer Door

Exploded View

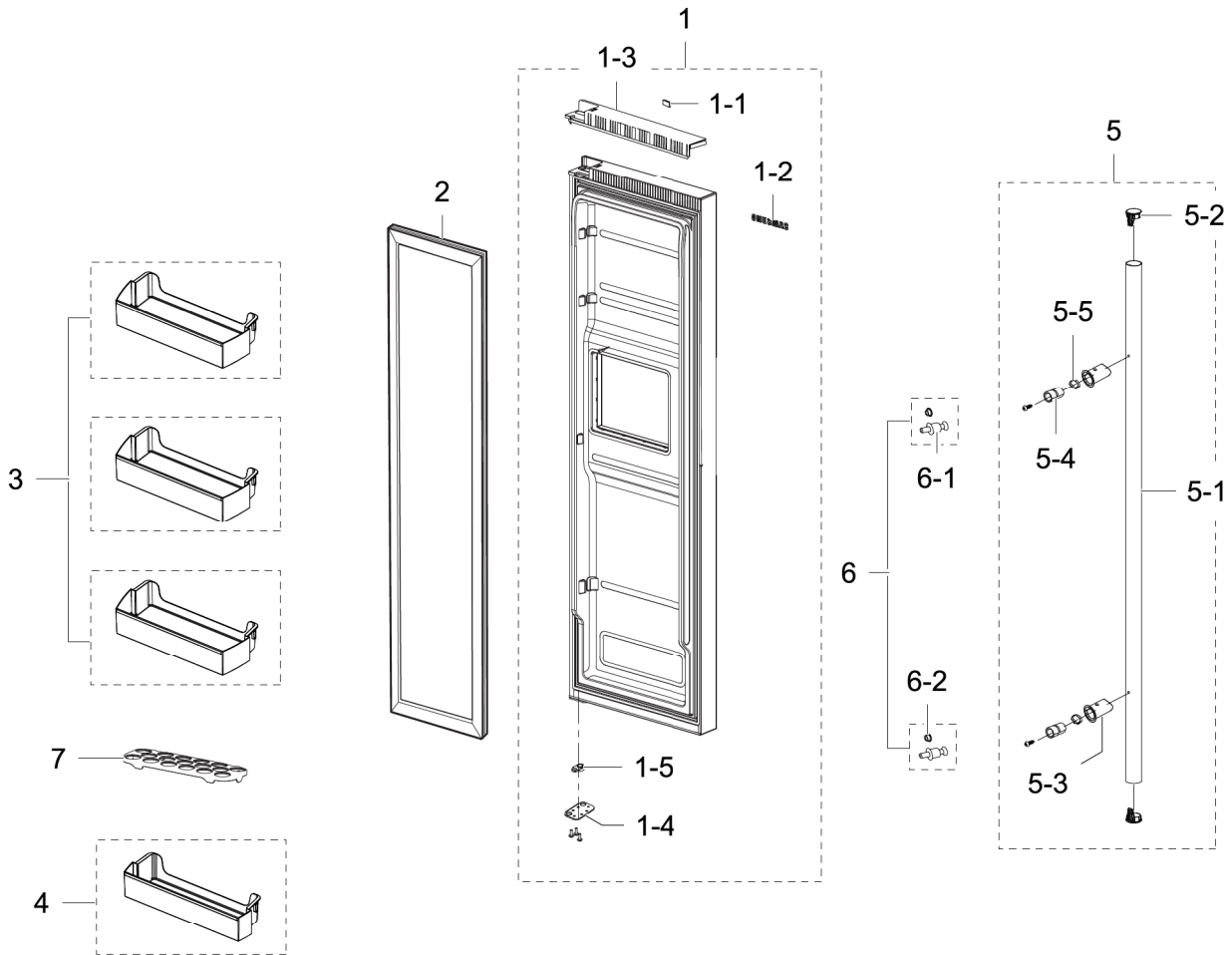


Parts List

No.	Lvl.	Loc.	Material Code	Description & Specification	SNA	Qty.
1	2	A0051	DA94-03136A	ASSY DOOR FOAM FRE; 752*(L,S OPTION),Half	SNA	1
1-1	5	M0060	DA63-04341D	COVER-CAP DOOR FRE; GUGGENHEIM(EXP),ABS,H	SA	1
1-2	5	M0208	DA73-00211A	RUBBER-CAP HOSE; i4-PJT,SILICON,GRAY	SA	1
1-3	5	A0534	DA61-03769A	MAGNET-A; HERMES,FERRITE,1600Gauss	SNA	1
1-4	5	M0221	DA61-04195A	STOPPER-DOOR L; GUGGENHEIM,SHP1,T3.0,-,-,	SA	1
1-5	5	M0265	DA66-00558B	CAM HINGE-RISER UPP L; POLARIS,PA66,BLACK	SA	1
2	2	G0573	DA97-12398F	ASSY-GASKET DOOR; FRE, HM10,GRAY,L1587,W3	SA	1

5. Fridge Door

Exploded View



Parts List

No.	Lvl.	Loc.	Material Code	Description & Specification	SNA	Qty.
1	2	A0052	DA94-03131A	ASSY DOOR FOAM REF; 756*/752*(V,L,U,S),Ha	SNA	1
1-1	5	A0534	DA61-03769A	MAGNET-A; HERMES,FERRITE,1600Gauss	SNA	1
1-2	3	M0196	DA64-04021C	MASCOT; ALL,Ni,T0.06,L90	SA	1
1-3	4		DA97-12789F	ASSY CAP DOOR REF-UPP; HM10-SEPM,ABS,T2.5	SNA	1
1-4	5	M0222	DA61-04196A	STOPPER-DOOR R; GUGGENHEIM,SHP1,T3.0,-,-,	SA	1
1-5	5	G0554	DA66-00557A	CAM HINGE-RISER UPP R; GUGGENHEIM,PA66,BL	SA	1
2	2	G0574	DA97-12398G	ASSY-GASKET DOOR; REF,HM10,GRAY,L1587,W46	SA	1
3	2		DA63-07067A	GUARD-REF TOP; HM12,GPPS,TP BLUE,HB,165N,	SA	3