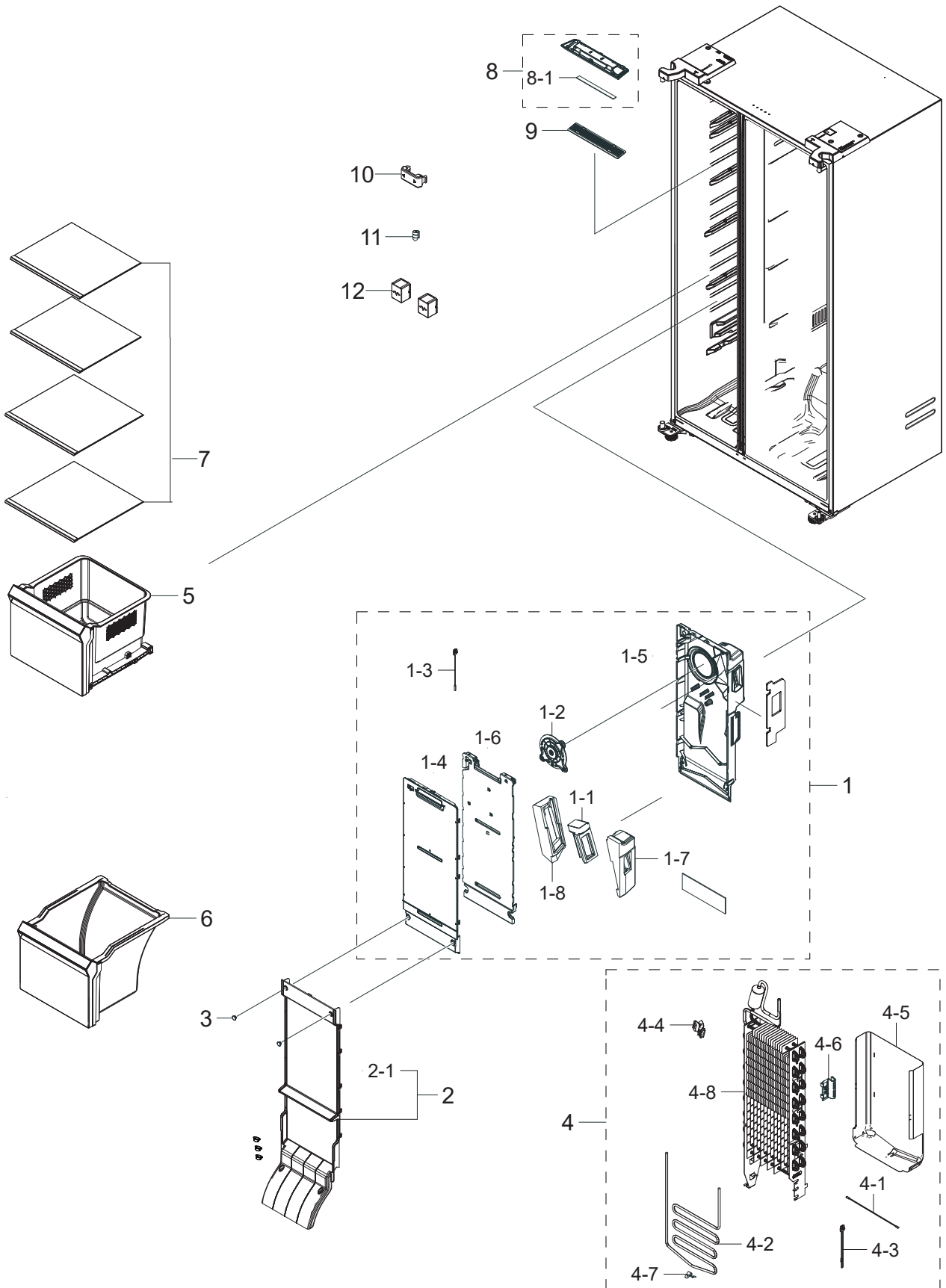


# [RS5300T] RS27T5561B1/BG EXPLODED VIEW AND PARTS LIST

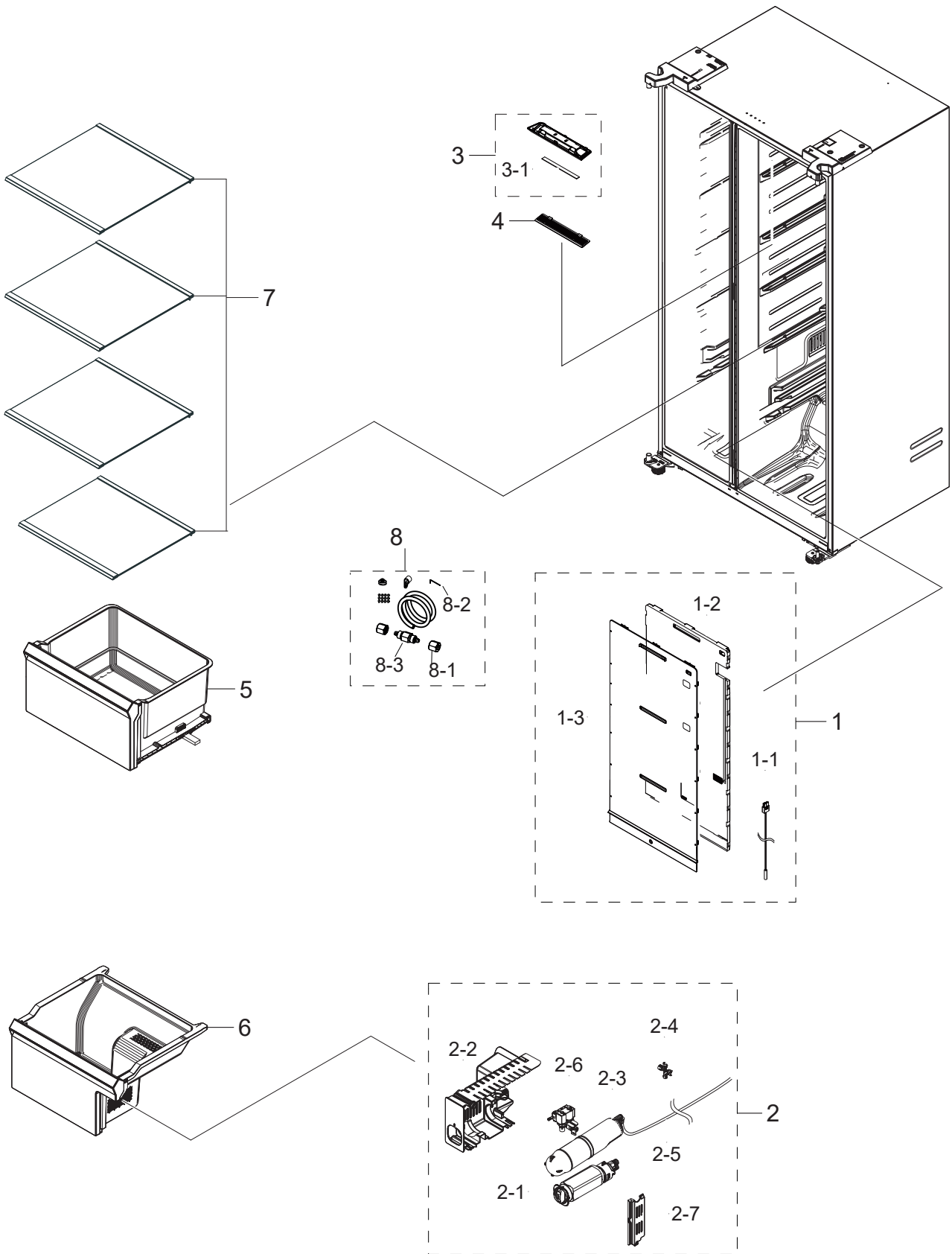
## FREEZER



Service BOM (SA: SERVICE AVAILABLE, SNA: SERVICE NOT AVAILABLE)

No.	MATERIAL CODE	PART NAME	SPECIFICATION	QTY	STATUS
1	DA97-20713A	ASSY COVER MULTI-FRE	RS5300T, NON METAL	1	SA
1-1	DA31-00333E	MOTOR GEARED DC DAMPER	NSBA001TQ1, DC12V,	1	SA
1-2	DA31-00342A	MOTOR BLDC FAN	ARES2130RA/LT-W39005, 1850	1	SA
1-3	DA32-00070T	SENSOR TEMP	SC41198-021A, L700, 13.2Kohm, 2	1	SA
1-4	DA63-09694A	COVER MULTI-FRE	RS5300T, PP, HB, COOL WHITE	1	SNA
1-5	DA63-09695A	COVER MULTI-FRE REAR	RS5300T, PP, HB, INNER	1	SNA
1-6	DA62-05385A	INSULATION DUCT-FRE FRONT	RS5300T, EPS, NA	1	SNA
1-7	DA62-05298A	INSULATION DUCT-SUB	RS5000RC, EPS, NATURAL	1	SNA
1-8	DA62-05299A	INSULATION DUCT-SUB UP	RS5000RC, EPS, NATU	1	SNA
2	DA97-20714A	ASSY COVER EVAP-FRE	RS5300T	1	SA
2-1	DA63-09696A	COVER EVAP-FRE	RS5300T, PP, HB, COOL WHITE	1	SNA
3	DA67-30266K	CAP SCREW	A-TOP, PP, T1.5, HB, BJ750, COOL WH	5	SA
4	DA96-01384C	ASSY EVAP-FRE	RS5300T, Fin Tube, 230V, 300W	1	SA
4-1	DA32-00024L	SENSOR TEMP	PX-41C, L250, 13.2kohm, 2%, 0C, 7	1	SA
4-2	DA47-00522A	HEATER METAL SHEATH	AC230V, RS5000T FRE, 1	1	SA
4-3	DA47-00301B	THERMO FUSE-ASSY	AC250V, 10A, 109~110°C, S.O	1	SA
4-4	DA61-00603A	FIXER SENSOR	n-PJT, PP, T2, NATURAL, BJ750	1	SA
4-5	DA61-04026A	PLATE DRAIN	ES-PJT, GL-SGLCC, T0.35	1	SA
4-6	DA61-07411A	FIXER-FUSE	NW2, PP, NATURAL, BJ750	1	SA
4-7	DA61-07451A	PLATE-EVAP HEATER	NW2, AI, T0.7	1	SNA
4-8	DA59-00624B	EVAPORATOR-FRE	Fin Tube, RS5300T(UL SPEC.	1	SNA
5	DA97-20629A	ASSY CASE BASKET-UP	RS5300T	1	SA
6	DA97-20630A	ASSY CASE BASKET-LOW	RS5300T	1	SA
7	DA97-20645A	ASSY SHELF-FRE UP	RS5300T	4	SA
8	DA97-19899A	ASSY CASE LAMP	RS5000RC, T2.0, COOL WHITE,	1	SNA
8-1	DA96-01119A	ASSY LAMP LED	3EA, FR-4, 150*12, WHITE, SMAW	1	SA
9	DA63-05431B	COVER-OPTICAL LED	RS53000TC, GPPS, T2, TP B	1	SA
10	DA67-04922A	CAP SENSOR	RS5300T, PP, HB, COOL WHITE	1	SA
11	DA63-08943A	GROMMET	BRR9000M, NBR, CAPI GROMMET	1	SA
12	DA63-03788B	COVER-FIXER HOUSING	W07, GI-SGCC, T0.4	2	SA

# REFRIGERATOR

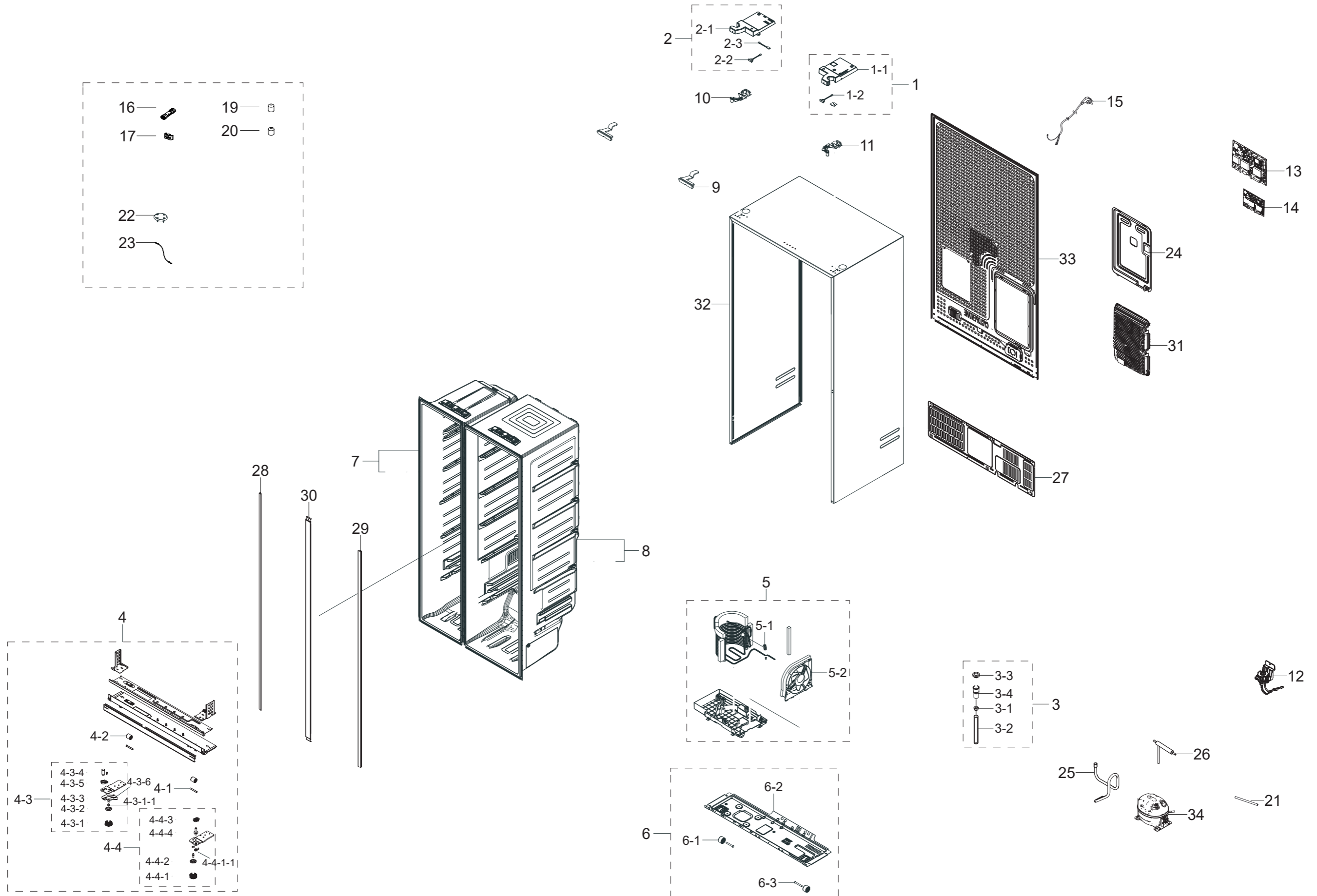


Service Bom (SA: SERVICE AVAILABLE, SNA: SERVICE NOT AVAILABLE)

No.	MATERIAL CODE	PART NAME	SPECIFICATION	QTY	STATUS
1	DA97-20712A	ASSY COVER MULTI-REF	RS5300T	1	SA
1-1	DA32-00070S	SENSOR TEMP	SC41200-021A,L650,13.2kohm,2	1	SA
1-2	DA62-05389A	INSULATION DUCT-REF	RS5300T,EPS,NATURAL	1	SNA
1-3	DA63-09697A	COVER MULTI-REF	RS5300T,PP,HB,COOL WHITE	1	SNA
2	DA97-20674A	ASSY CASE FILTER	RS5300T,220V FS	1	SA
2-1	DA63-08839B	FILTER-WATER	RF8000MC,PP,CARTRIDGE NSF53	1	SNA
2-2	DA63-09712A	COVER FILTER	RS5300T,HIPS,T2.5,COOL WHIT	1	SNA
2-3	DA97-13854D	ASSY TANK WATER-REF	RS5000RC,PP,T3.5,NAT	1	SNA
2-4	DA61-10404A	GUIDE HOSE	PP,HB,BJ750,COOL WHITE,L	5	SNA
2-5	DA62-01368F	PIPE-WATER LINE	Dispenser Model,PE,OD6.3	0.9	SA
2-6	DA62-04027D	VALVE WATER	AC220-240V,230,2WAY,L-Wire,1	1	SNA
2-7	DA61-05523A	CASE-FILTER OUT	SSEDA,POM,-,-,-,NATURAL,	1	SNA
3	DA97-19899B	ASSY CASE LAMP	RS5000RC,T2,COOL WHITE,LE	1	SNA
3-1	DA96-01119B	ASSY LAMP LED	5,FR-4,150*12,WHITE,SMAW25	1	SA
4	DA63-05431B	COVER-OPTICAL LED	RS53000TC,GPPS,T2,TP B	1	SA
5	DA97-20631A	ASSY CASE VEG-UP	RS5300T	1	SA
6	DA97-20633A	ASSY CASE VEG-LOW	RS5300T,DISP	1	SA
7	DA97-20647A	ASSY SHELF-REF	RS5300T	4	SA
8	DA97-01469W	ASSY INSTALL-FILTER	A-TOP,FILTER-INSTALL	1	SA
8-1	DA74-00070B	VALVE-FITTING NUT	A-TOP,C3604,gold	2	SA
8-2	DA80-00002F	WRENCH-SPANNER	AW3,SM45C,Zn PLATING	1	SA
8-3	DA62-01378B	VALVE-FITTING PU	AT06,C3604	1	SNA



☒ CABINET



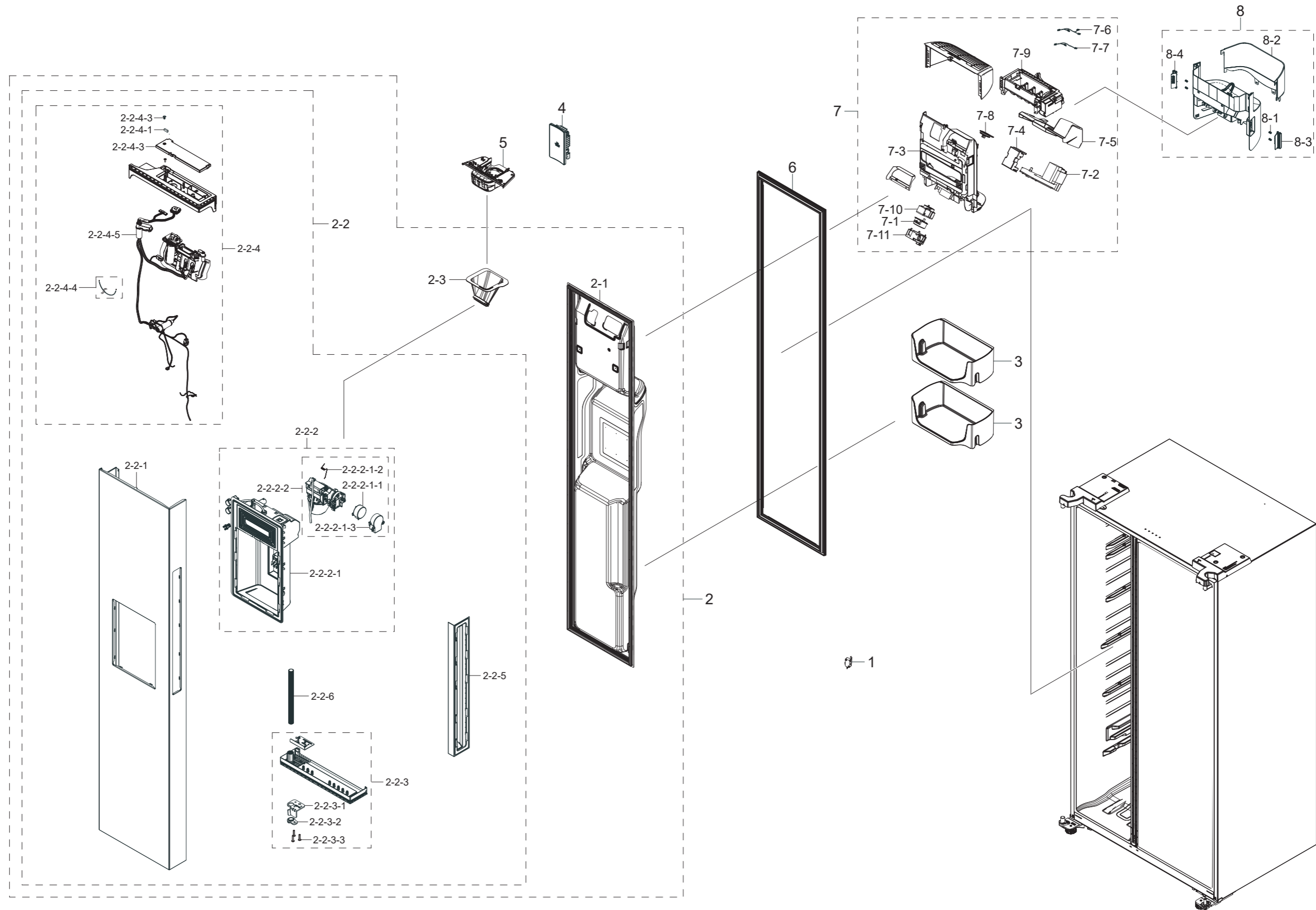
Service Bom (SA: SERVICE AVAILABLE, SNA: SERVICE NOT AVAILABLE)

No.	MATERIAL CODE	PART NAME	SPECIFICATION	QTY	STATUS
1	DA97-20734E	ASSY COVER HINGE-REF	RS53000TC,ASSY,T2.3	1	SA
1-1	DA63-09699B	COVER HINGE-REF	RS53000TC,ABS,T2.3,EBONY	1	SA
1-2	DA34-00043A	SWITCH REED	UL1007 AWG 22,100mm,DEM1-B50	1	SA
2	DA97-20733B	ASSY COVER HINGE-FRE	RS53000TC,ASSY,T2.3	1	SA
2-1	DA63-09703B	COVER HINGE-FRE	RS53000TC,ABS,T2.3,EBONY	1	SA
2-2	DA34-00043A	SWITCH REED	UL1007 AWG 22,100mm,DEM1-B50	1	SA
2-3	DA32-00074A	SENSOR HUMIDITY	5V,0~100%RH,REF	1	SA
3	DA97-04049E	ASSY CAP-DRAIN	AW3	1	SA
3-1	DA61-04773A	FIXER-DRAIN	AW-PJT,PP,-,-,-,COOL WHITE	1	SNA
3-2	DA62-01266B	TUBE PVC	AW3,PVC,OD19.4,L155,BLACK	1	SA
3-3	DA63-02761A	GROMMET-DRAIN	RS18RK,NBR,BLACK	1	SA
3-4	DA67-01301A	CAP-DRAIN	AW4,HIPS,HB,S834S1,NATURAL	1	SNA
4	DA97-20754B	ASSY CABI-BOTTOM FRONT	RS5300T/TC,BLACK	1	SNA
4-1	DA61-01920A	FIXER-CASTER	ZPC2,SWRCH10A,OD8.0,L58	2	SA
4-2	DA61-04702A	CASTER-FRONT	AW-PJT,PP,BLACK	2	SA
4-3	DA97-14046B	ASSY HINGE-LOW LEFT	FSR CD,DISPENSER	1	SA
4-3-1	DA61-07972B	FOOT-FRONT	POLARIS,PP,BLACK,INSERT NUT,	1	SA
4-3-1-1	6021-001125	NUT-HEXAGON	3,M8,ZPC(WHT),SWCH10A	1	SA
4-3-2	DA61-07973B	FOOT	POLARIS,PP,BLACK,PP_S,0103-007539,Y	1	SA
4-3-3	DA63-09717A	COVER GUIDE HOSE	RS5300T,PP,T1.5,NATURAL	1	SNA
4-3-4	DA66-00716D	SHAFT HINGE-LOW LEFT	FSR CD,SM45C,OD18.3	1	SNA
4-3-5	DA66-01127A	CAM RISER-FRE LOW	FSR CD,PA66,BLACK,KN33	1	SA
4-3-6	DA66-00793A	SHAFT-LEG FRONT	POLARIS,SWRCH10A,BLACK,E	1	SA
4-4	DA97-20700A	ASSY HINGE-LOW RIGHT	RS5300T,T7	1	SA
4-4-1	DA61-07972B	FOOT-FRONT	POLARIS,PP,BLACK,INSERT NUT,	1	SA
4-4-1-1	6021-001125	NUT-HEXAGON	3,M8,ZPC(WHT),SWCH10A	1	SA
4-4-2	DA61-07973B	FOOT	POLARIS,PP,BLACK,PP_S,0103-007539,Y	1	SA
4-4-3	DA66-00891A	CAM-HINGE RISER REF LOW	MONTES ALPHA,PA6	1	SA
4-4-4	DA66-00911A	SHAFT-HINGE LOW REF	POLARIS,SWCH10A,Zn P	1	SA
5	DA97-20718C	ASSY TRAY DRAIN WATER	RS5300T,Latin Amer	1	SA
5-1	DA63-40171B	GROMMET-SUCT PIPE A	NBR,ID4,OD20	1	SNA
5-2	DA97-20025A	ASSY SUPPORT-CIRCUIT MOTOR	NW2-FDR,C160N	1	SA
6	DA97-21034A	ASSY CHASSIS COMP	RF6000T,GI-SGCC,T1.2,N	1	SA
6-1	DA61-04703A	CASTER-REAR	AW-PJT,PP,BLACK,M/B(0103-002	2	SNA
6-2	DA64-06266A	CHASSIS COMP	RF6000T,GI-SGCC,T1.2,No Han	1	SNA
6-3	DA66-00649B	SHAFT-CASTER	POLARIS,MSWR10,L44,ID8.0,OD	2	SA
7	DA94-05114B	ASSY LINER-FRE	RS5300T,FS	1	SNA

Service Bom (SA: SERVICE AVAILABLE, SNA: SERVICE NOT AVAILABLE)

No.	MATERIAL CODE	PART NAME	SPECIFICATION	QTY	STATUS
8	DA94-05115D	ASSY LINER-REF	RS5300T,FS,F-HUB	1	SNA
9	DA61-04932A	FIXER HINGE-UPP	AW1-12,GI-SGCC,T3	2	SA
10	DA61-13824A	HINGE-UP LEFT	RS5300TC,PO-SPHC,T3,-,-,-	1	SA
11	DA61-13818A	HINGE-UP RIGHT	RS5300TC,PO-SPHC,T3,-,-,-	1	SA
12	DA62-04678E	VALVE STEP	DC12V,MODULE,RIGHT/RIGHT bend	1	SA
13	DA92-01196G	ASSY PCB MAIN	RS5300T,165x242,220V,12V,5	1	SA
14	DA92-00795A	ASSY MODULE	STD#9 SMPS,RF9500(Family Hub	1	SA
15	3903-001009	POWER CORD-AT	H05VV-F 3x0.75mm <sup>2</sup> ,BLK,AR3S	1	SA
16	DA60-00258B	FITTING TUBE	PP,ID1/4,1/4'- 1/4'	2	SA
17	DA61-04712C	FIXER-HOSE	AW,PP,-,-,-,NATURAL,-,-,-	1	SA
18	DA61-13913A	FIXER	RS5300T,ABS,T1.5,NEAT WHITE,HG-076	2	SA
19	DA73-00211A	RUBBER-CAP HOSE	i4-PJT,SILICON RUBBER,GR	1	SA
20	DA73-00211A	RUBBER-CAP HOSE	i4-PJT,SILICON RUBBER,GR	1	SA
21	DA62-05545A	PIPE CONNECT-DISC	Cu,OD6.35,T0.65,C1220T	1	SNA
22	DA63-04598B	COVER-URETHANE	SSEDA/AW-PJT,ABS,-,-,-,-	1	SA
23	DA39-00429D	ASSY WIRE HARNESS-EARTH	EARTH,ALL,,,,,FR	1	SA
24	DA97-08442A	ASSY COVER PCB-PANEL	AW3	1	SA
25	DA97-20814B	ASSY PIPE CONNECT	RS5300T,Non UL Shrinka	1	SA
26	DA62-04309D	DRYER	C1220T-H,L137,SINGLE MOUTH,UL Mark	1	SA
27	DA97-12749B	ASSY COVER COMP	POLARIS,GI-SGCC,T0.25	1	SA
28	DA61-01376J	REINF CABI-FRONT LEFT	SBS ALL,HGI-SGHC,T	1	SNA
29	DA61-01835J	REINF CABI-FRONT RIGHT	SBS ALL,HGI-SGHC,	1	SNA
30	DA97-07707K	ASSY CABI FRAME-MIDDLE FRONT	RS5000RC,0.	1	SNA
31	DA97-20561A	ASSY CASE PBA-MAIN	AW F/L,1-BOARD,SEMP	1	SNA
32	DA97-20738B	ASSY CABI FRAME	RS5300T,EGI-SECC,T0.4,AL	1	SNA
33	DA97-20648A	ASSY CABI FRAME-REAR	RS5300T	1	SNA
34	NF54M7151ANTT3	COMP	CMP,COMP,REFRIGERATOR,R-600A	1	-

■ DOOR FRE



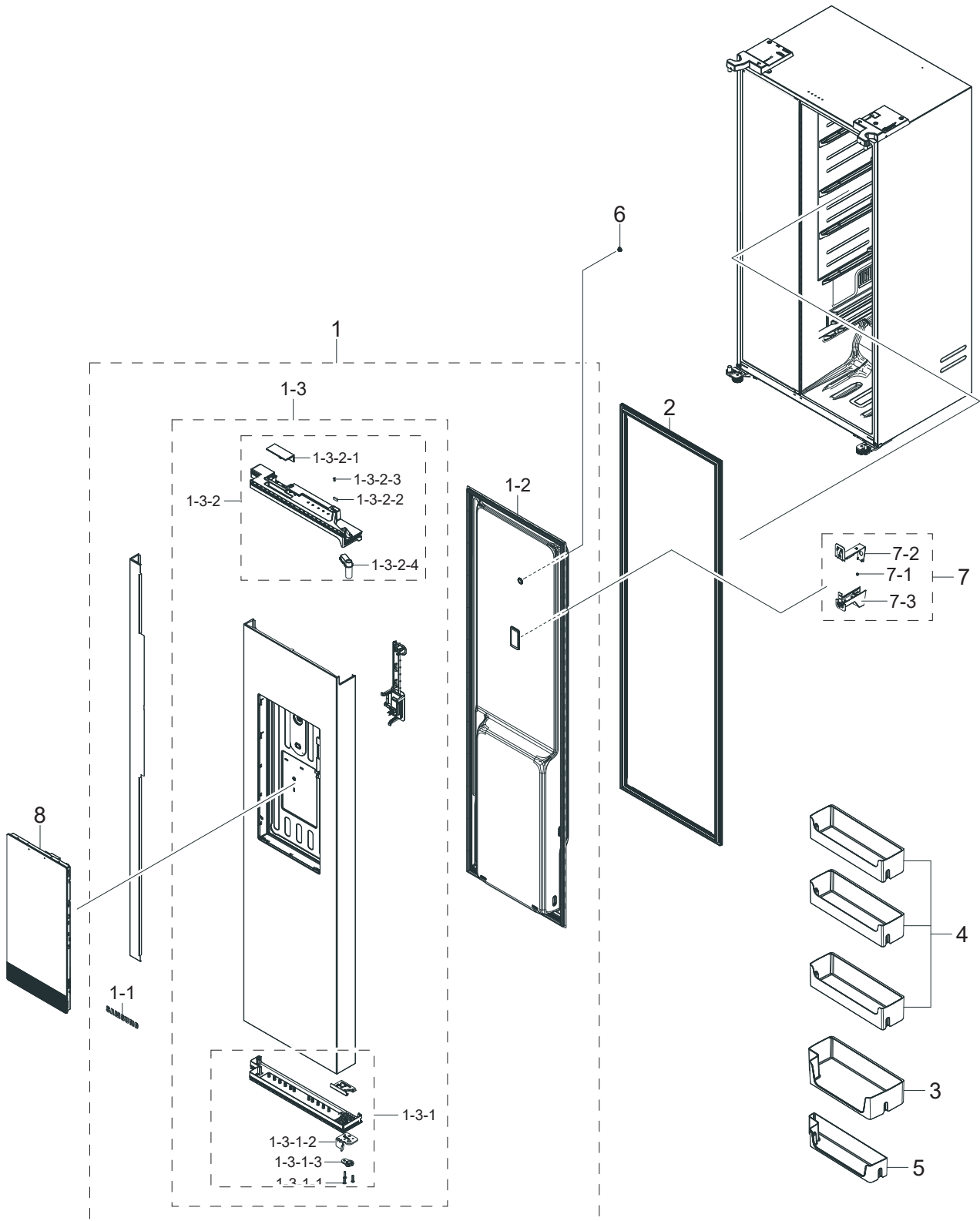
Service Bom (SA: SERVICE AVAILABLE, SNA: SERVICE NOT AVAILABLE)

No.	MATERIAL CODE	PART NAME	SPECIFICATION	QTY	STATUS
1	3405-001117	SWITCH-MICRO	125/250VAC,1A,80gf,SPST-NO	1	SNA
2	DA91-05231G	ASSY DOOR FOAM-FRE	RS5300T,BLACK DOI,220	1	SA
2-1	DA64-06179A	PANEL-FRE	RS5300T,ABS,T1.5,W1250,L1980,Q	1	SNA
2-2	DA97-20764H	ASSY PLATE DOOR-FRE	RS5300T,BLACK DOI,22	1	SNA
2-2-1	DA61-13831M	PLATE DOOR-FRE	RS5300T,EGI-SECC,T0.5,DIS	1	SNA
2-2-2	DA97-20772H	ASSY CASE DISPENSER	RS5300T,DARK GRAY,22	1	SNA
2-2-2-1	DA61-13829E	CASE DISPENSER	RS5300T,ABS,T3,DARK GRAY	1	SNA
2-2-2-2	DA97-19028A	ASSY CASE ICE ROUTE	RS8000NC,220V	1	SA
2-2-2-2-1	DA31-00079A	MOTOR GEARED AC DISP	MVLA15AR11/MCFA182A	1	SA
2-2-2-2-2	DA61-01914A	SPRING ETC-COVER ICE ROUTE	QUEEN,STS304,	1	SA
2-2-2-2-3	DA63-07654A	COVER MOTOR	FSR,HIPS,HB,NATURAL	1	SNA
2-2-3	DA97-20778A	ASSY CAP DOOR-FRE LOW	RS5300T,BLACK	1	SNA
2-2-3-1	DA61-07527A	STOPPER-DOOR FRE LOW	POLARIS,PO-SPHC,T4.	1	SA
2-2-3-2	DA66-00558B	CAM HINGE-RISER UPP L	POLARIS,PA66,BLACK	1	SA
2-2-3-3	6001-001377	SCREW-MACHINE	TH,+,M5,L25,ZPC(WHT),SWRCH	3	SNA
2-2-4	DA97-20779E	ASSY CAP DOOR-FRE UP	RS5300T,BLACK, 220V	1	SNA
2-2-4-1	DA61-03769A	MAGNET-A	HERMES,FERRITE,1600Gauss	1	SA
2-2-4-2	DA63-05327D	COVER-CAP DOOR FRE	SSEDA,HIPS,,-,-,-,-,-,	1	SA
2-2-4-3	DA67-02795B	CAP-SHAFT HOLE	AW-PJT,PP,T4,HB,BJ750,NAT	1	SA
2-2-4-4	DA97-19469B	ASSY PIPE WATER LINE	RS5000,PE-RT,ORANGE	1	SNA
2-2-4-5	DA96-01389A	ASSY WIRE HARNESS-DOOR	RS5300T,DISP,IN-D	1	SNA
2-2-5	DA97-20161C	ASSY HANDLE-FRE	RS5300T,BLACK,ASSY, RECE	1	SA
2-2-6	DA73-10469L	PIPE-WATER	SBS,2007GVE,PVC,L250,LIGHT GR	1	SNA
2-3	DA97-20160B	ASSY GUIDE ICE ROUTE	RS5300T,Assy	1	SNA
3	DA97-20641A	ASSY GUARD-FRE UP	RS5300T/TC,GPPS,T3,TP	2	SA
4	DA97-21146A	ASSY LEVER DISPENSER	RS5300T,EBONY BLACK	1	SA
5	DA97-19031H	ASSY COVER DISPENSER	RS5300,DARK GRAY, B	1	SA
6	DA97-20743A	ASSY GASKET-FRE	RS5300T,DARK GRAY	1	SA
7	DA97-19965D	ASSY CASE AUGER MOTOR	RS5300T,220V	1	SA
7-1	DA31-00079A	MOTOR GEARED AC DISP	MVLA15AR11/MCFA182A	1	SA
7-11	DA63-04356B	COVER MOTOR-FRONT	GUGGENHEIM,HIPS,NATURA	1	SNA
7-2	DA31-00210E	MOTOR GEARED AC AUGER	ISG-3245SSB/ORG-45	1	SA
7-3	DA61-13325A	SUPPORT CASE AUGER	RS5000RC,ABS,T2.5,HG-	1	SNA
7-4	DA63-05515A	COVER-MOTOR AUGER COIL	GGH,ABS,NATURAL	1	SNA
7-5	DA63-09324A	COVER CASE AUGER	RS8000NC,HIPS,T2.5,HB,N	1	SA

Service Bom (SA: SERVICE AVAILABLE, SNA: SERVICE NOT AVAILABLE)

No.	MATERIAL CODE	PART NAME	SPECIFICATION	QTY	STATUS
7-6	DA96-01037D	ASSY WIRE HARNESS-AUGER	ALL,AUGER(NO BUC	1	SA
7-7	DA97-00151B	SWITCH REED	UL1007 AWG 22,230,35151-0210	1	SNA
7-8	DA97-11248A	ASSY-CAM LEVER CUBE	INDOOR	1	SA
7-9	DA97-19010A	ASSY ICE MAKER-MECH	RS6500KC,12V,INDOOR	1	SA
7-10	DA63-01412B	COVER-MOTOR GEARED	GUGGENHEIM,HIPS,NATUR	1	SNA
8	DA97-19968C	ASSY TRAY ICE	RS5000RC,TL,INDOOR	1	SA
8-1	DA61-04378A	SPRING ETC-BUCKET LEVER	GUGGENHEIM,STS30	4	SNA
8-2	DA64-05918A	WINDOW BUCKET	RS5000RC,PCTG,T4,W296,L115	1	SNA
8-3	DA66-00587A	LEVER-BUCKET L	GUGGENHEIM,ABS,W76.7,L19.	1	SNA
8-4	DA66-00588A	LEVER-BUCKET R	GUGGENHEIM,ABS,W77.2,L19.	1	SNA

■ DOOR REF





Service Bom (SA: SERVICE AVAILABLE, SNA: SERVICE NOT AVAILABLE)

No.	MATERIAL CODE	PART NAME	SPECIFICATION	QTY	STATUS
1	DA91-05230E	ASSY DOOR FOAM-REF	RS5300T,BLACK DOI,F-H	1	SA
1-1	DA64-04021A	MASCOT	ALL,Ni,T0.06,L90	1	SA
1-2	DA64-06178A	PANEL-REF	RS5300T,ABS,T1.5,W1250,L1980,Q	1	SNA
1-3	DA97-20766F	ASSY PLATE DOOR-REF	RS5300T,BLACK DOI,F-	1	SNA
1-3-1	DA97-20776A	ASSY CAP DOOR-REF LOW	RS5300T,BLACK	1	SNA
1-3-1-1	6001-001377	SCREW-MACHINE	TH,+,M5,L25,ZPC(WHT),SWRCH	3	SNA
1-3-1-2	DA61-07526A	STOPPER-DOOR REF LOW	POLARIS,PO-SPHC,T4.	1	SA
1-3-1-3	DA66-00557A	CAM HINGE-RISER UPP R	GUGGENHEIM,PA66,BL	1	SA
1-3-2	DA97-20796A	ASSY CAP DOOR-REF UP	RS5300T,BLACK,F-HUB	1	SNA
1-3-2-1	DA63-08449B	COVER LOCK	ABS,EBONY BLACK,VE-0856,V-0	1	SA
1-3-2-2	DA61-03769A	MAGNET-A	HERMES,FERRITE,1600Gauss	1	SA
1-3-2-3	DA67-02795B	CAP-SHAFT HOLE	AW-PJT,PP,T4,HB,BJ750,NAT	1	SA
1-3-2-4	DA96-01314C	ASSY WIRE HARNESS-DOOR	RS5300T,FAMILY HU	1	SNA
2	DA97-20742A	ASSY GASKET-REF	RS5300T,DARK GRAY	1	SA
3	DA97-20638A	ASSY GUARD-REF UP	RS5300T/TC,GPPS,T3,TP	1	SA
4	DA97-20640A	ASSY GUARD-REF UP	RS5300T/TC,GPPS,T3,TP	3	SA
5	DA97-20639A	ASSY GUARD-REF LOW	RS5300T,GPPS,T3,TP BL	1	SA
6	DA67-30266K	CAP SCREW	A-TOP,PP,T1.5,HB,BJ750,COOL WH	1	SA
7	DA97-20744A	ASSY PANEL-CAMERA	RS5300T,F-HUB	1	SA
7-1	DA63-07538A	GROMMET-A	MOUTON12,Si,COOL WHITE,NAME TA	1	SA
7-2	DA63-09714A	COVER-CAMERA UP	RS5300T,ABS,T2.5,COOL WH	1	SNA
7-3	DA63-09713A	COVER-CAMERA LOW	RS5300T,ABS,T2.5,COOL W	1	SNA
8	DA97-20810A	ASSY COVER DISPLAY	RS5300T/TC,USB4.0 , V	1	SA
8-1	DA32-00080A	SENSOR PSD	ORA1L17,5V	1	SA
8-2	DA67-04988A	CAP SCREW	RS5300T,ABS,QU-0191S,COOL WHIT	1	SA
8-3	DA92-00789A	ASSY MODULE	MIC, 88*11*1.6T,RF9500R,88*1	1	SA
8-4	DA96-01253B	ASSY WIRE HARNESS	LCD CABLE,F_HUB 4.0,FR	1	SA
8-5	DA96-01368A	ASSY WIRE HARNESS-DISPLAY	ALL,F-HUB 4.0	1	SA
8-6	DA97-19330C	ASSY COVER FRONT	RF9500R,27.5", VE, NO M	1	SA
8-7	3001-002858	SPEAKER	40hm,85dB,150,288*81.3*39,55x55m	1	SA
8-8	4709-002748	W-LAN MODULE	CCBP730Q,IEEE802.11,2.4/5GH	1	SA