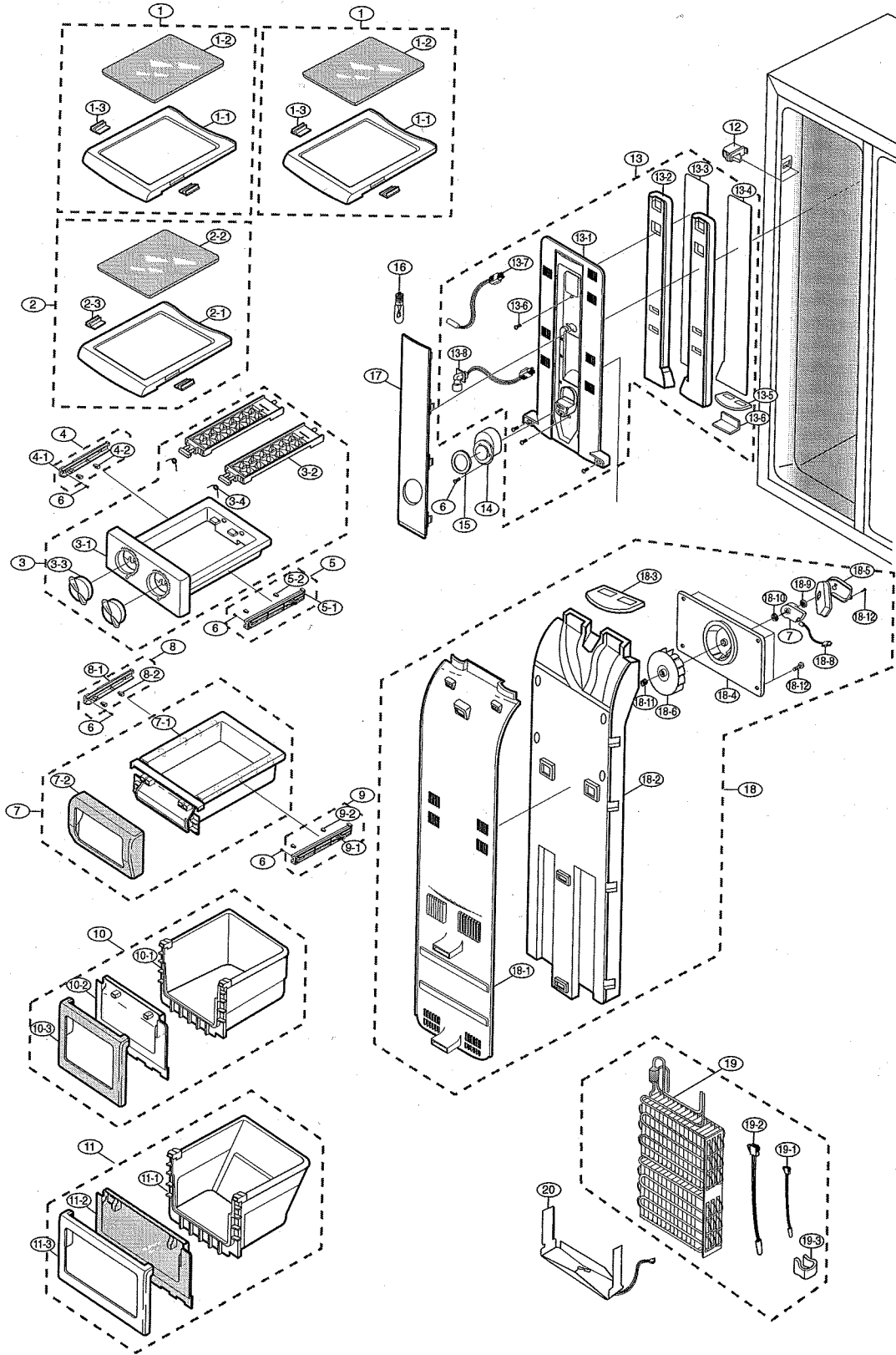


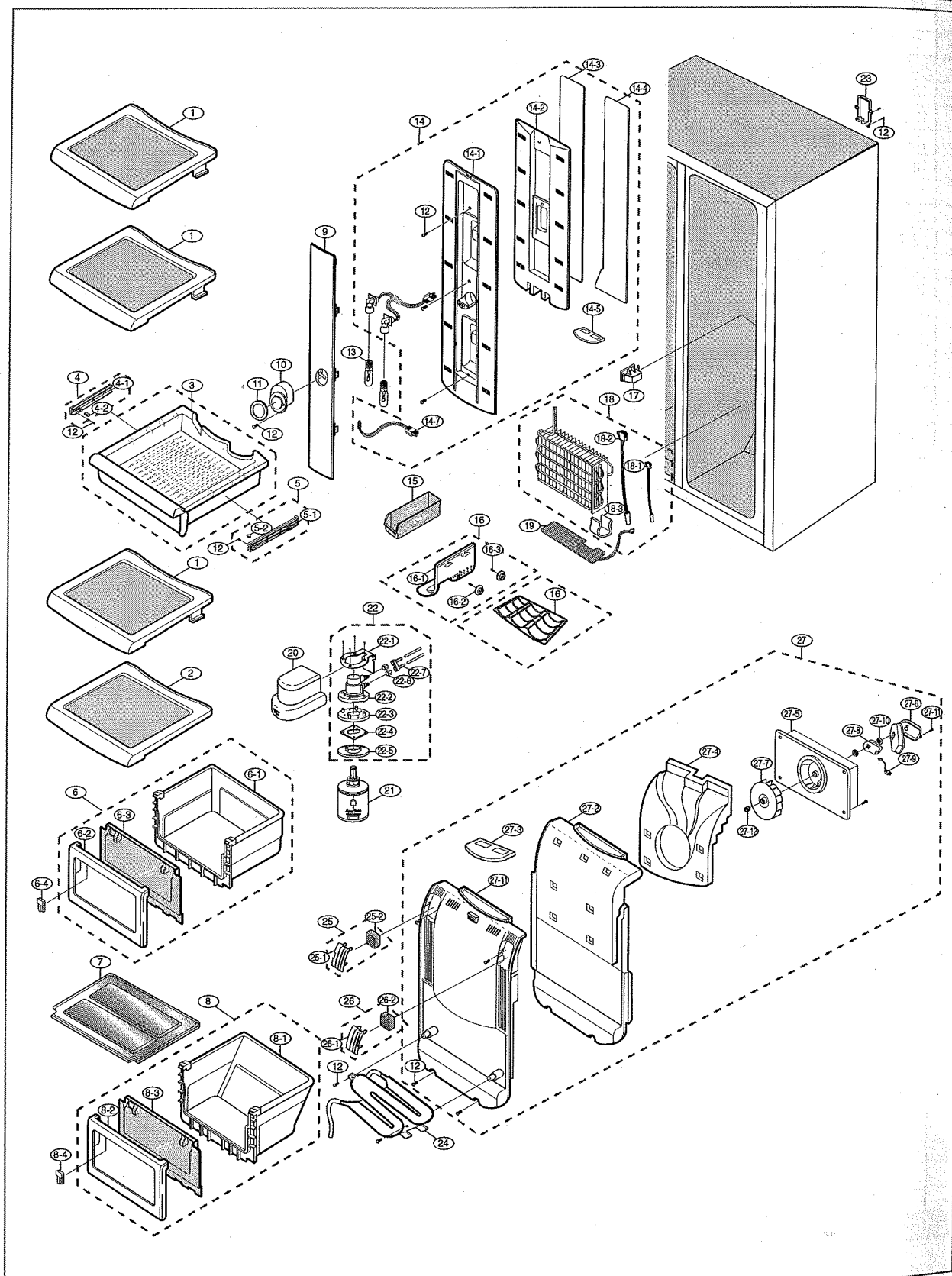
12 . Illustrated Parts Catalog.

12-1) Freezer Room Exploded View



12 . Illustrated Parts Catalog.

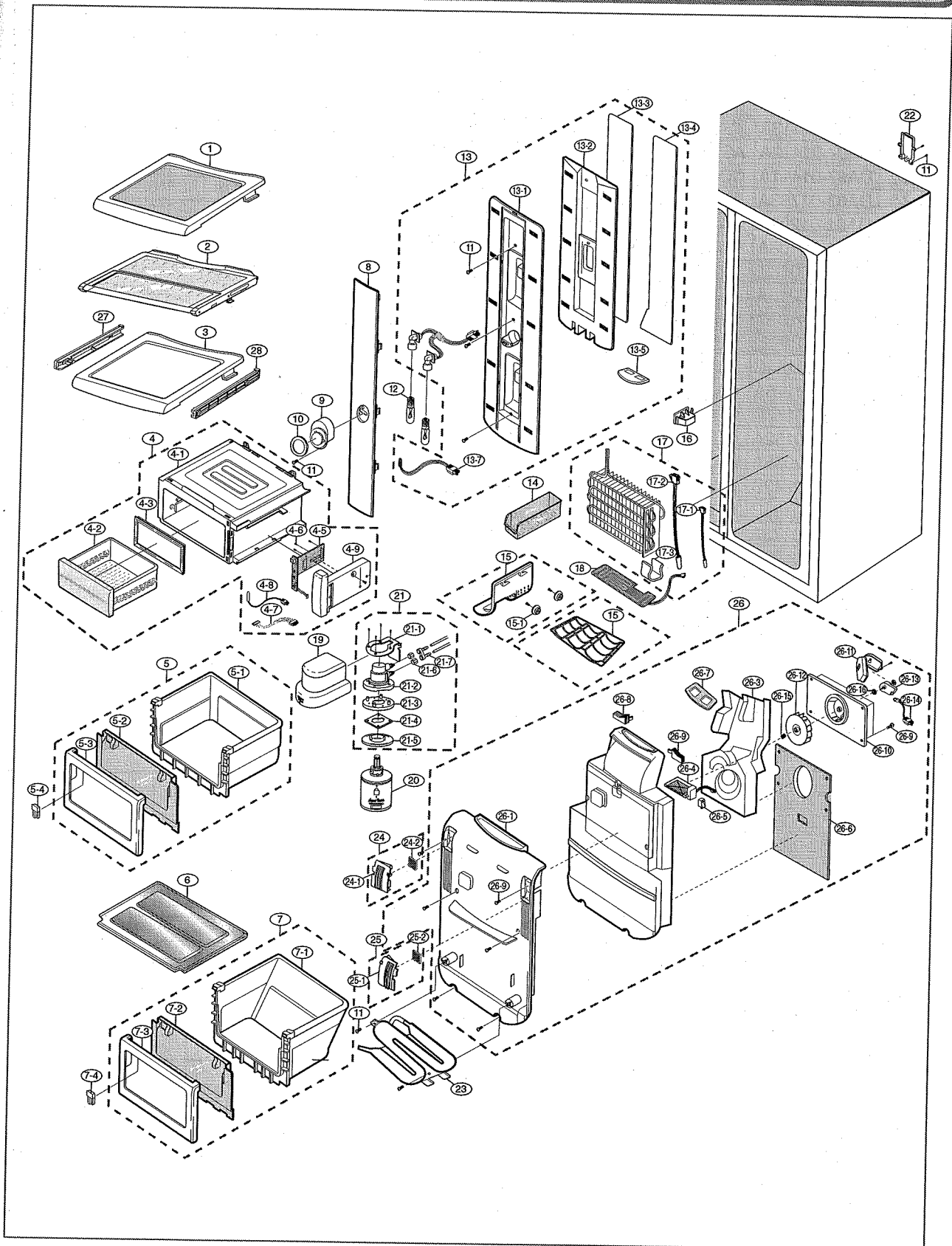
12-2) Refrigerator Room Exploded View (RS21N, RS21H, RS21D, RS21F, RS23N, RS23H, RS23D, RS23F)



1	NC
2	
3	
4	
4-1	
4-2	
5	
5-1	
5-2	
6	
6-1	
6-2	
6-3	
6-4	
7	
8	
8-1	
8-2	
8-3	
8-4	
9	
10	
11	
12	
13	4
14	D
14-1	D
14-2	D
14-3	D
14-4	D
14-5	D
14-6	D
14-7	DA
15	DA
16	DA
16-1	DA
17	DA
18	DA
18-1	DA
18-2	DA
18-3	DA
19	DA
19-1	DA
19-2	DA
20	DA
21	DA
22	DA
23	DA

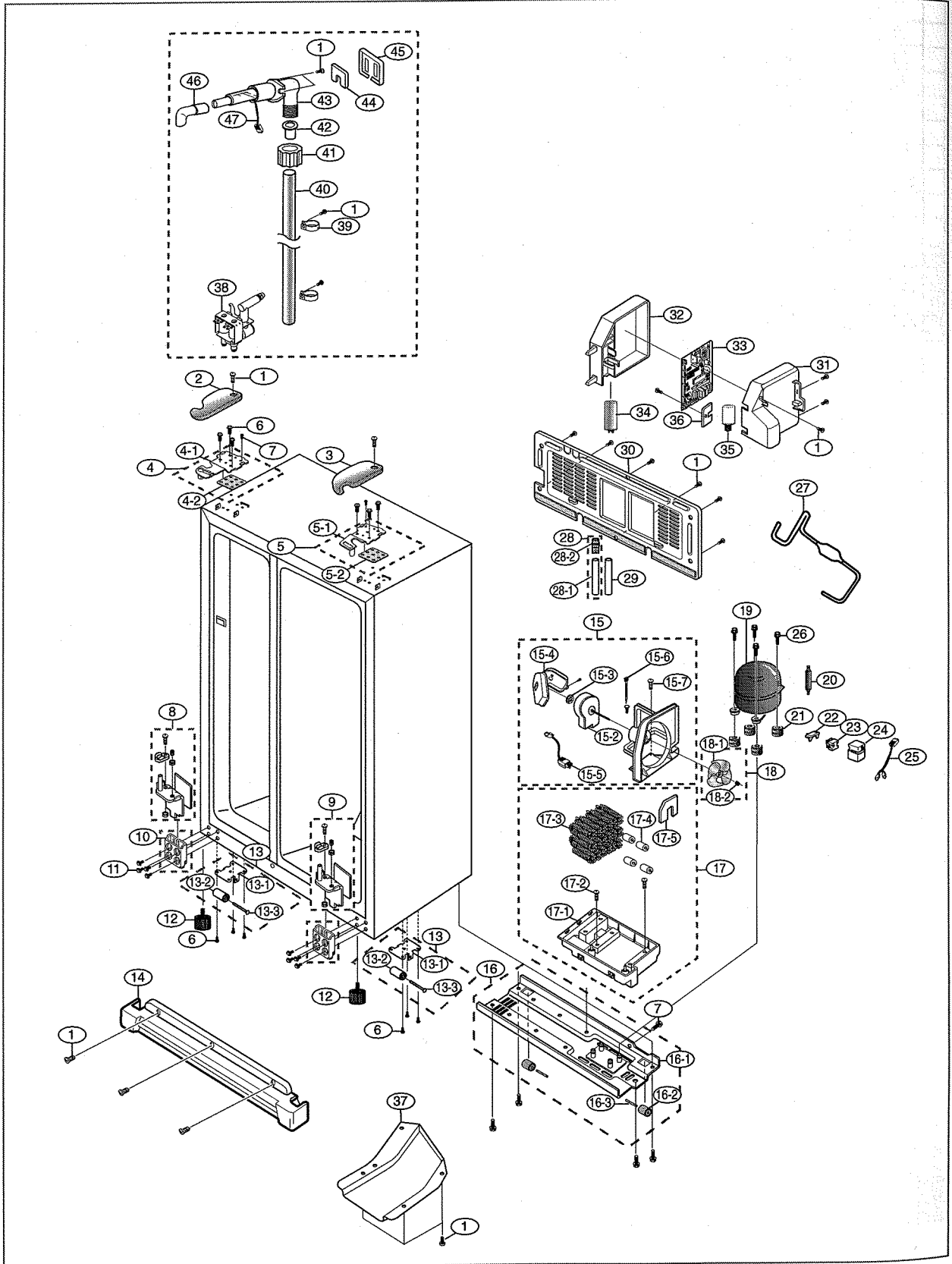
12 . Illustrated Parts Catalog.

12-3) Refrigerator Room Exploded View (RS21J, RS21K, RS23J, RS23K)



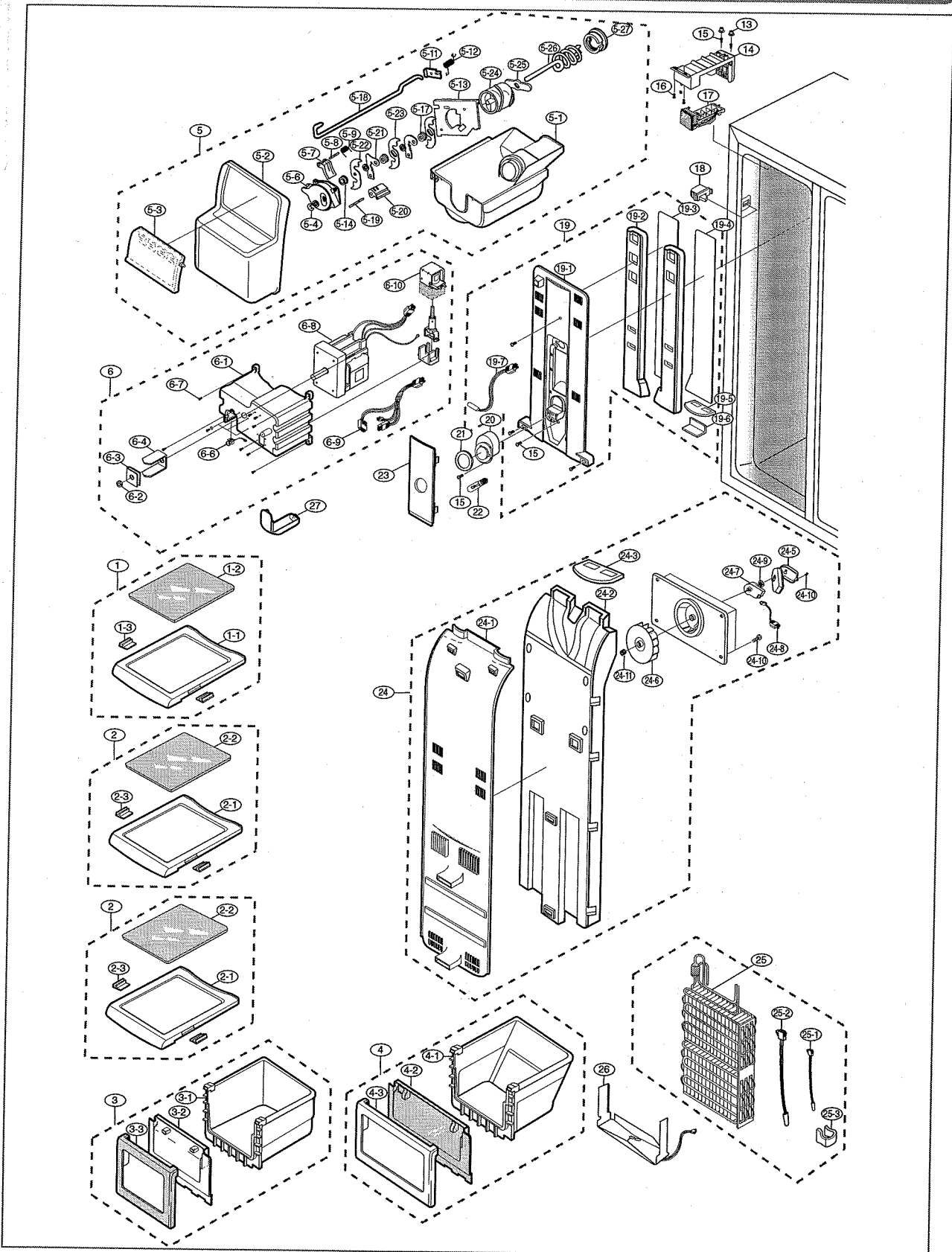
12 . Illustrated Parts Catalog.

12-4) Unit Exploded View (RS21N, RS21H, RS21D, RS21F, RS23N, RS23H, RS23D, RS23F)



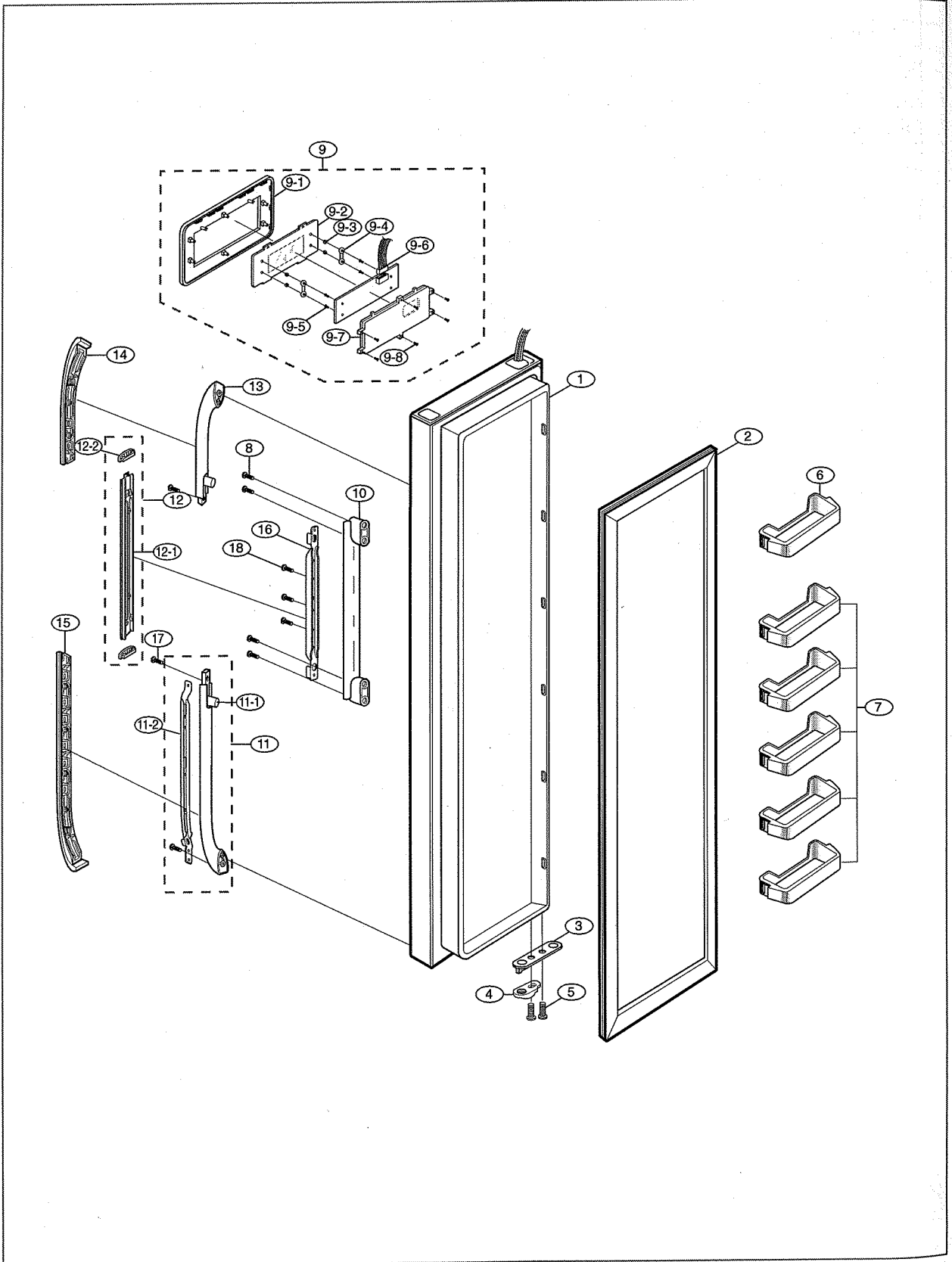
12 . Illustrated Parts Catalog.

12-5) Freezer Room Exploded View (RS21D, RS21F, RS21J, RS21K, RS23D, RS23F, RS23J, RS23K)



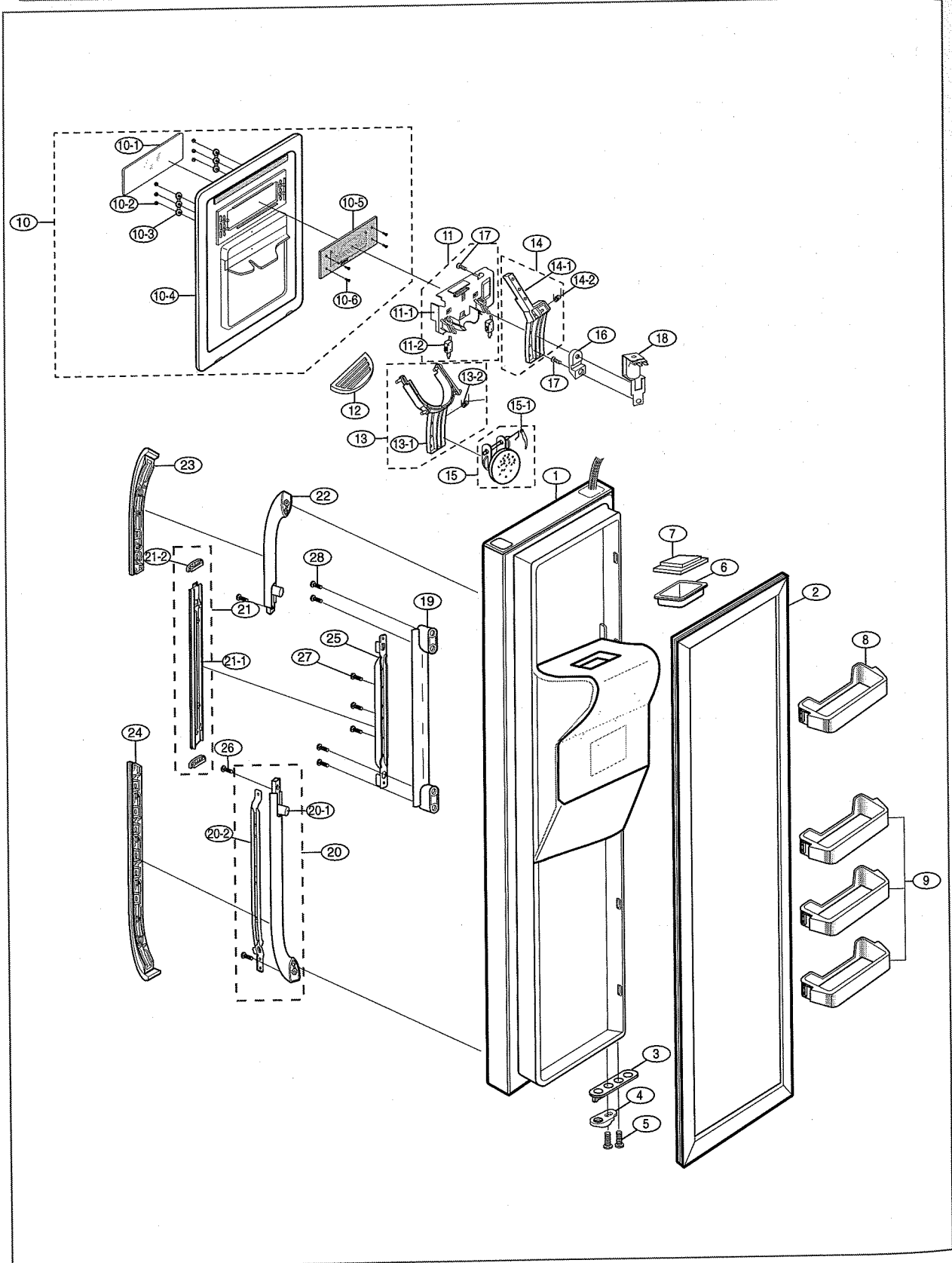
12 . Illustrated Parts Catalog.

12-6) Freezer Room Door Exploded View



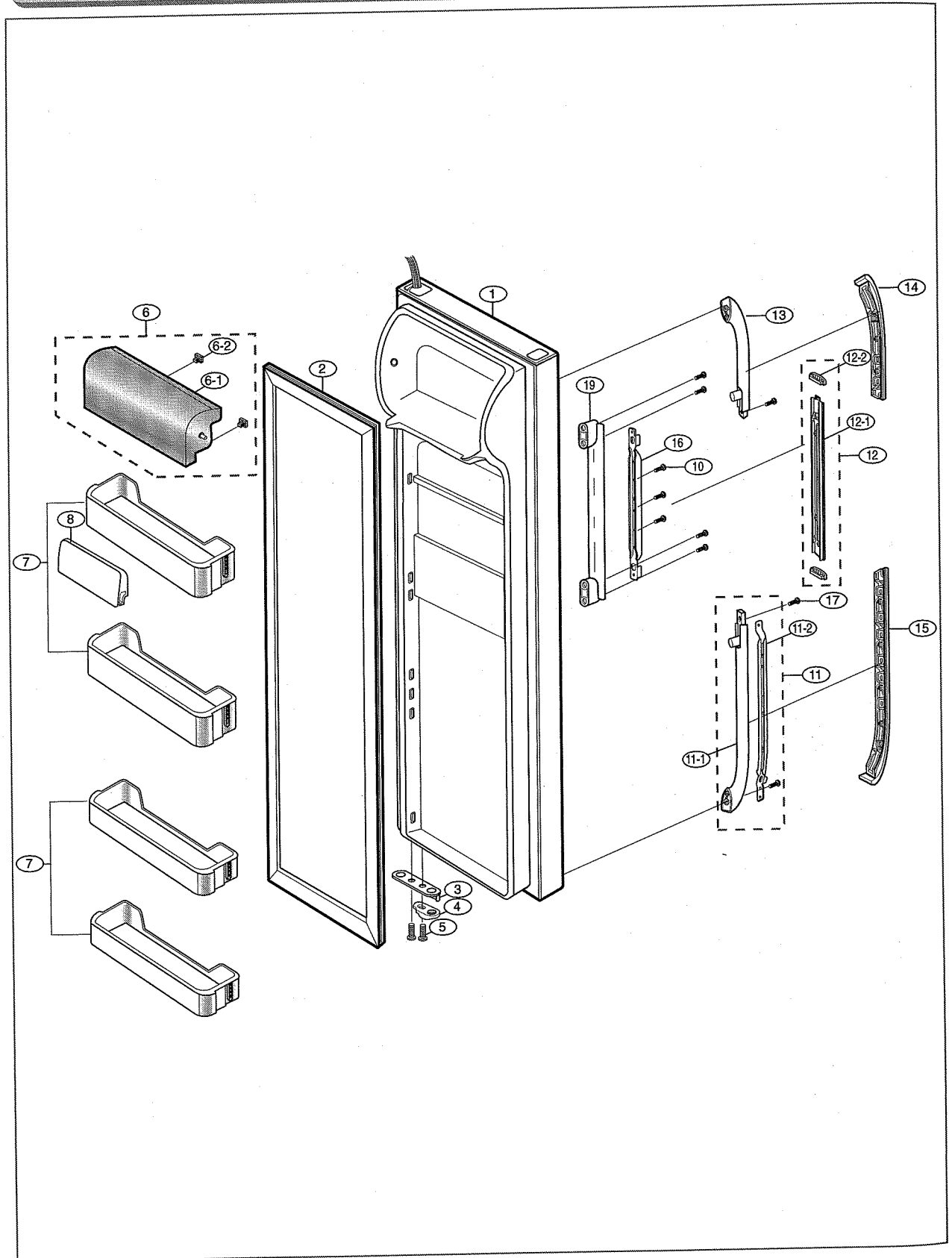
12 . Illustrated Parts Catalog.

12-7) Freezer Room Door Exploded View (RS21D, RS21F, RS21J, RS21K, RS23D, RS23F, RS23J, RS23K)



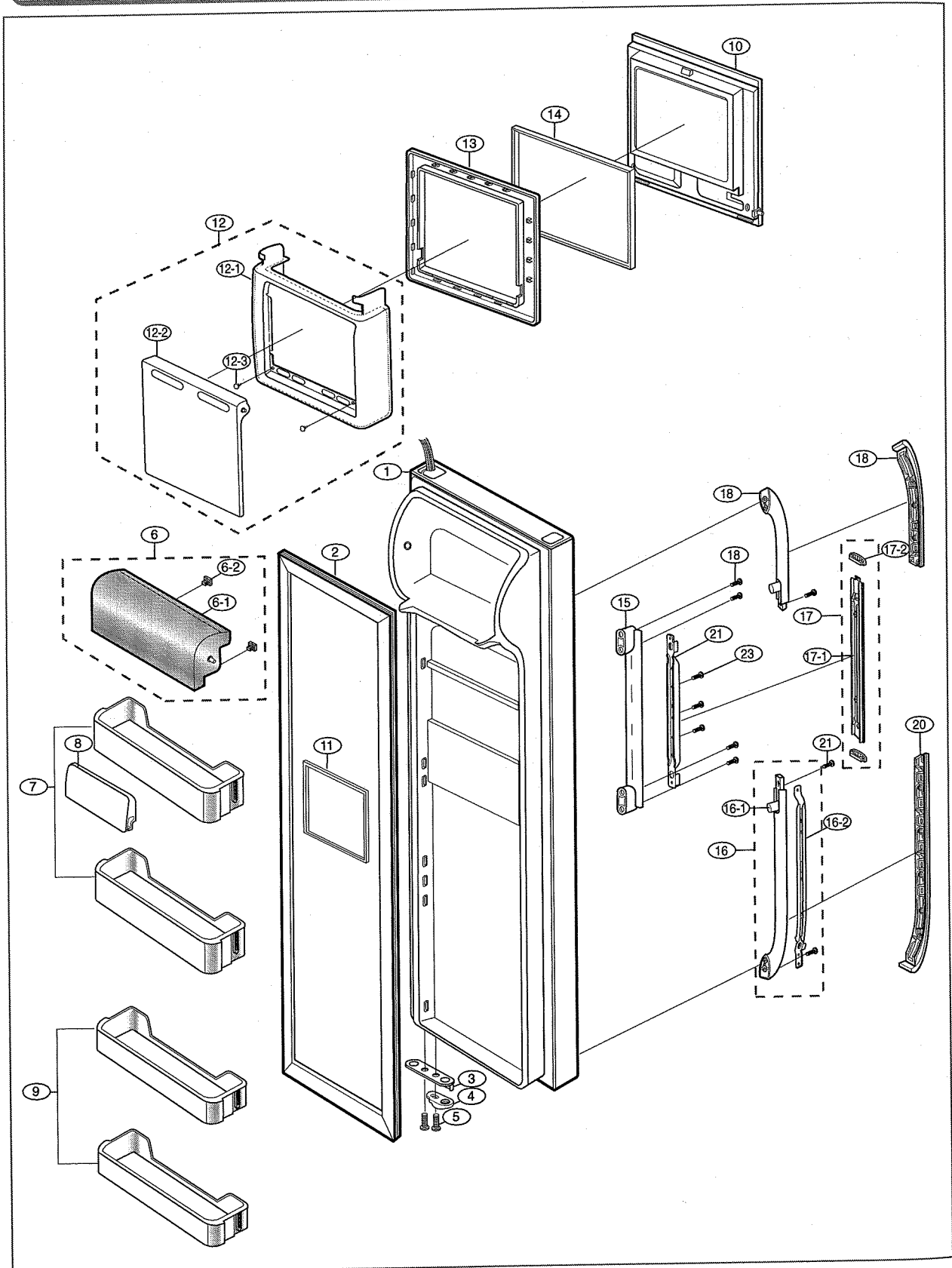
12 . Illustrated Parts Catalog.

12-8) Refrigerator Room Door Exploded View



12 . Illustrated Parts Catalog.

12-9) Refrigerator Room Door Exploded View (RS21H, RS21F, RS21K, RS23H, RS23F, RS23K)



NO
1
2
3
4
5
6
6-1
6-2
7
8
9
10
11
12
12-1
12-2
12-3
13
14
15
16
16-1
16-2
17
17-1
17-2
18
19
20
21
22
23
24