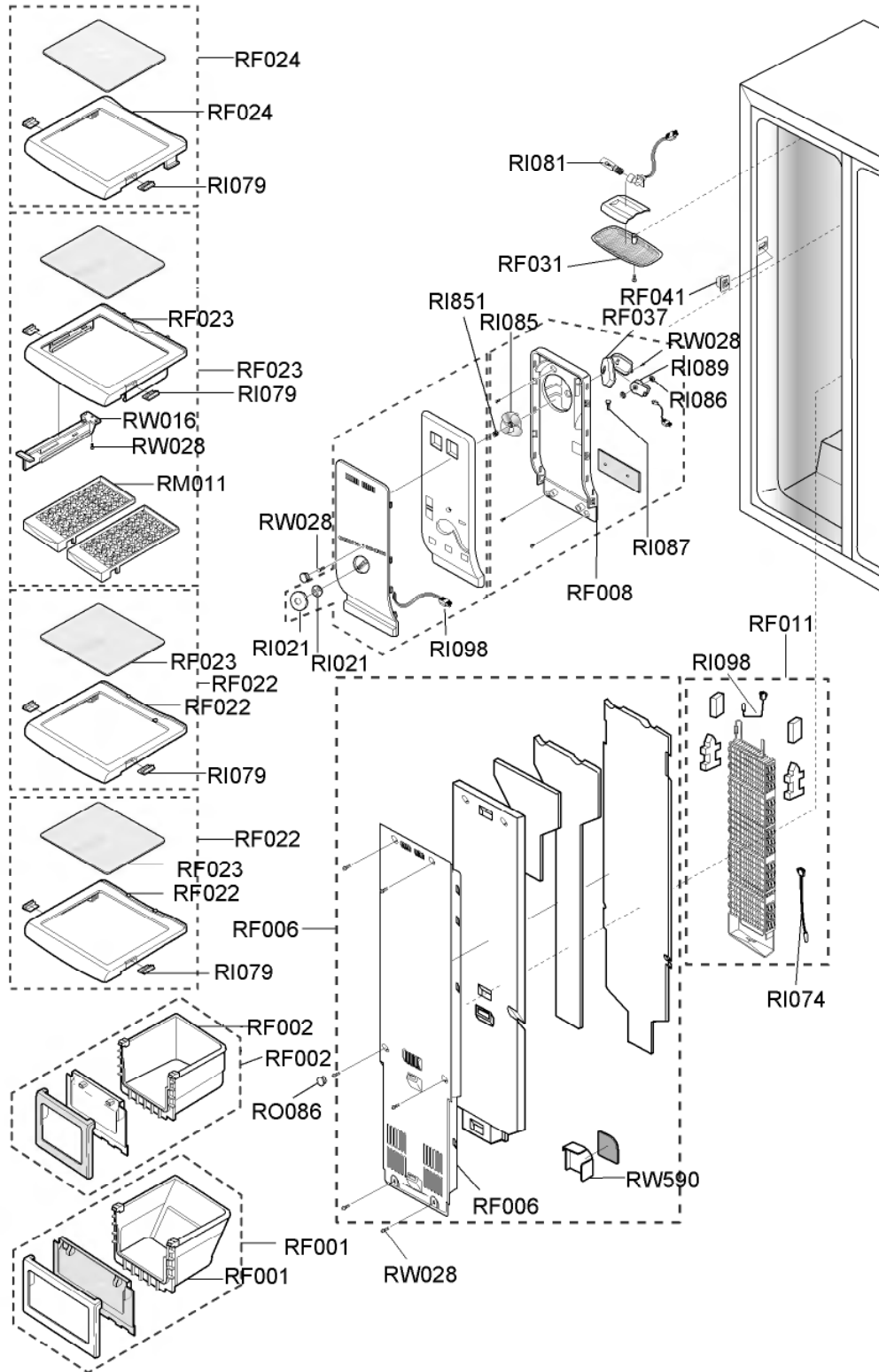


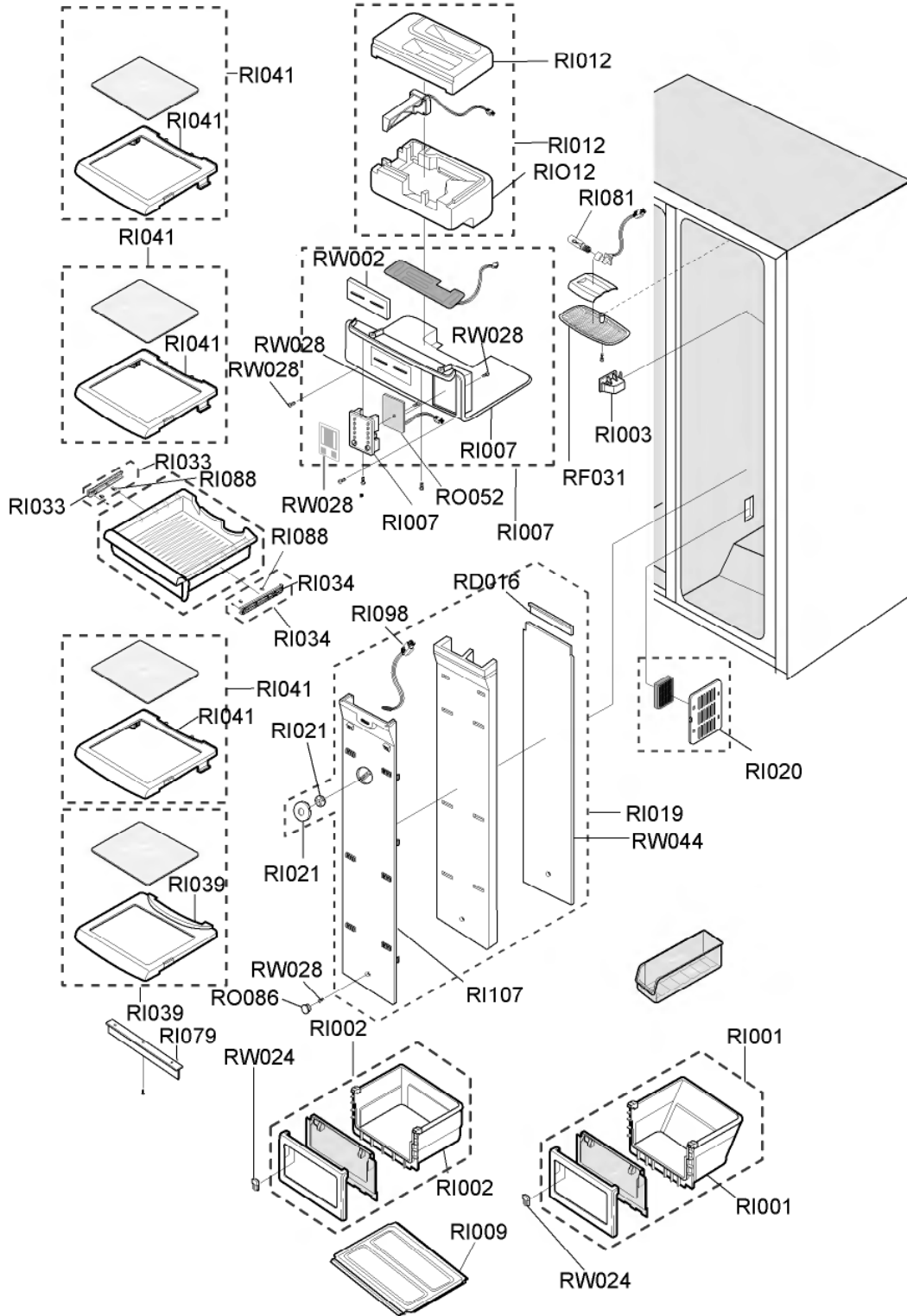
EXPLODED VIEW(RS20NASL5-XEN)

1. Freezer Compartment



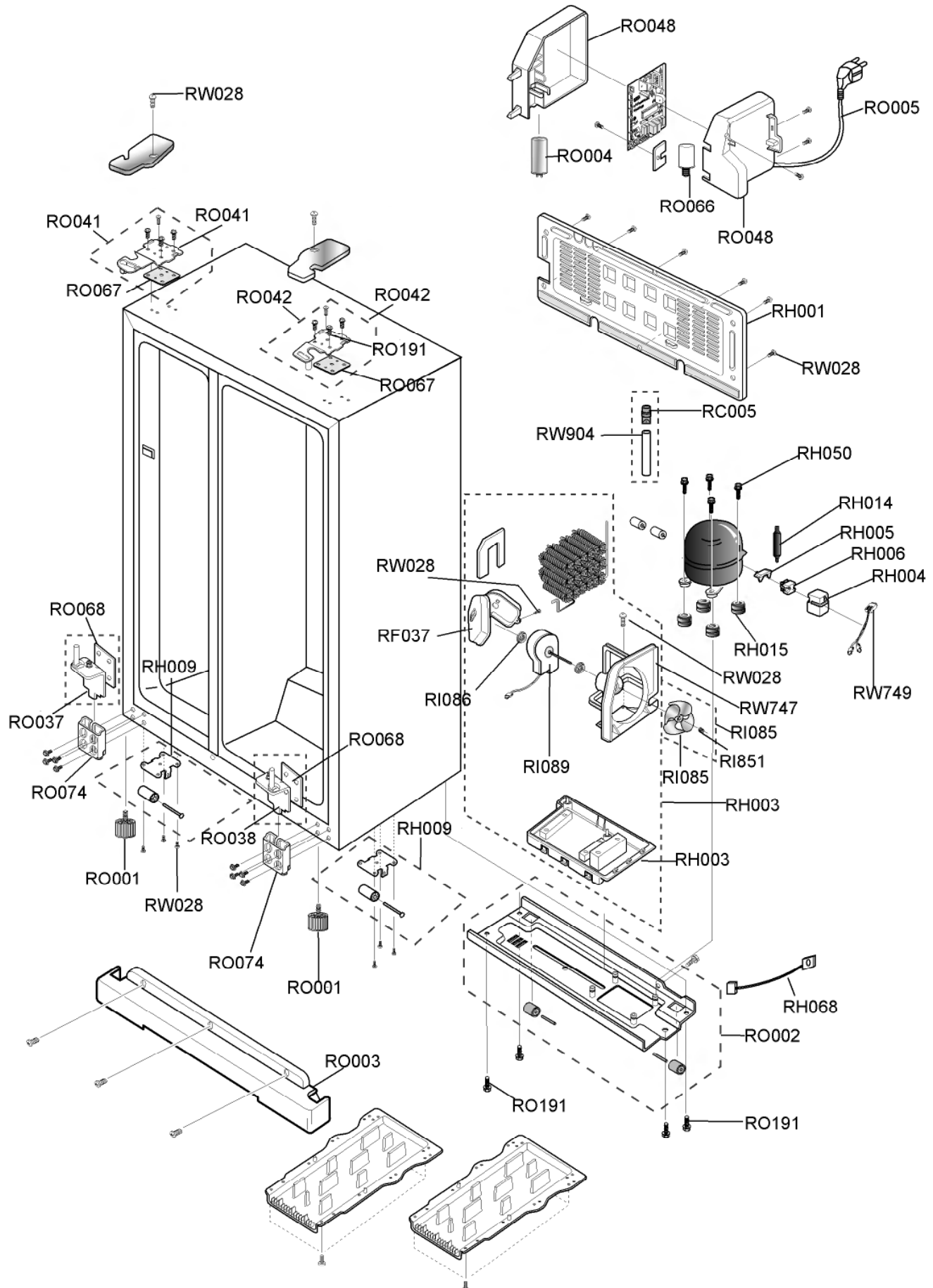
EXPLODED VIEW(RS20NASL5-XEN)

2. Refrigerator Compartment



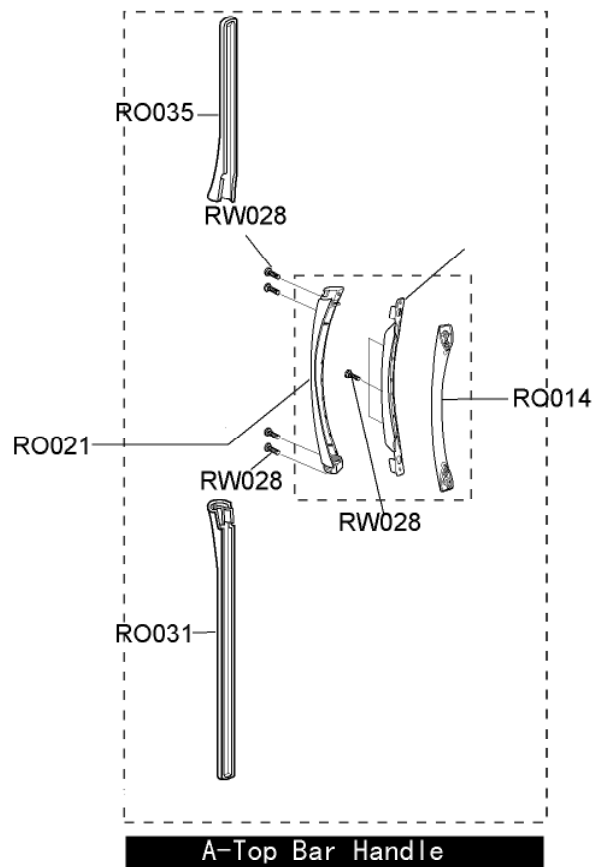
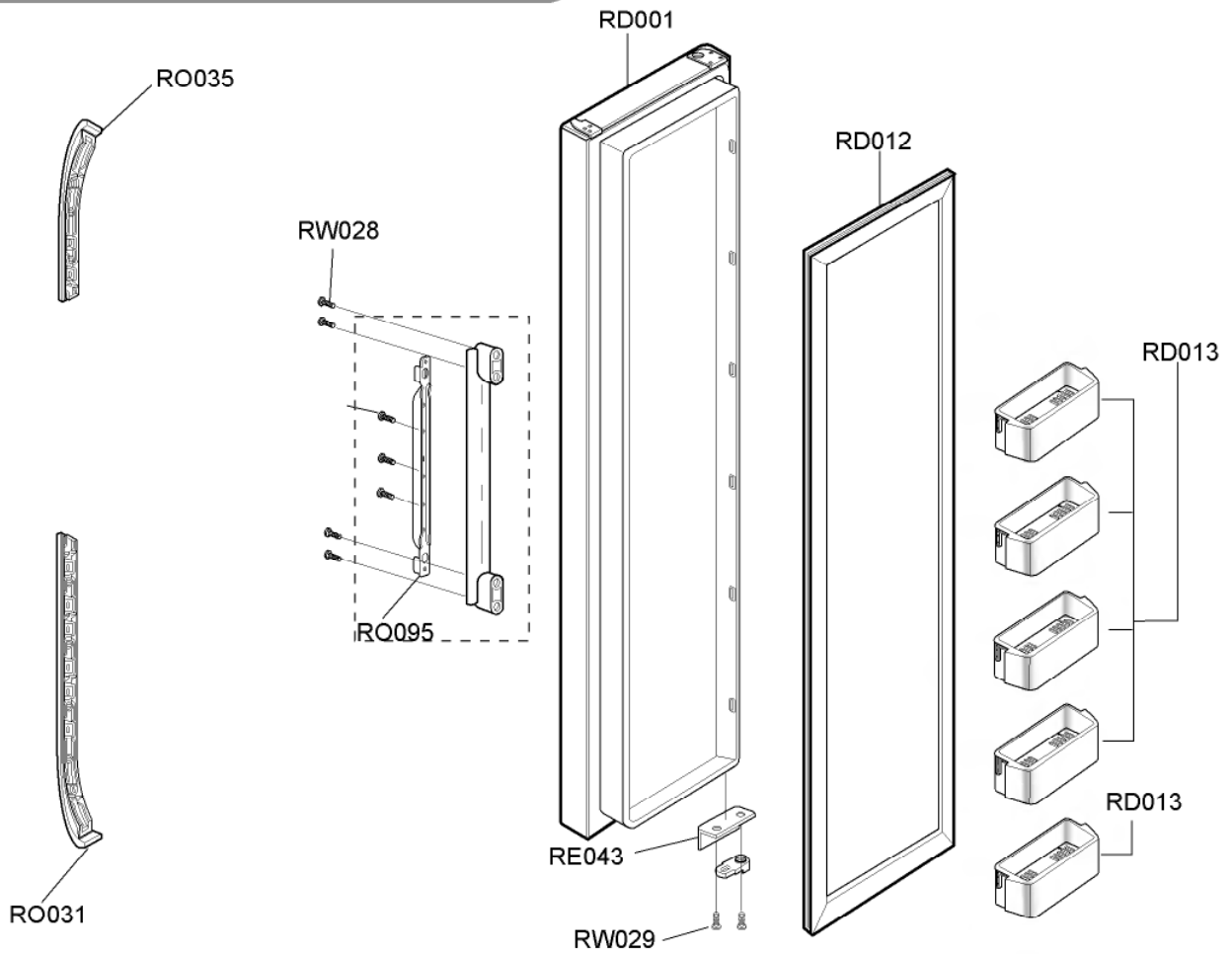
EXPLODED VIEW(RS20NASL5-XEN)

3. Parts of Unit



EXPLODED VIEW(RS20NASL5-XEN)

4. Parts of freezer door



EXPLODED VIEW(RS20NASL5-XEN)

5. Parts of refrigerator door

