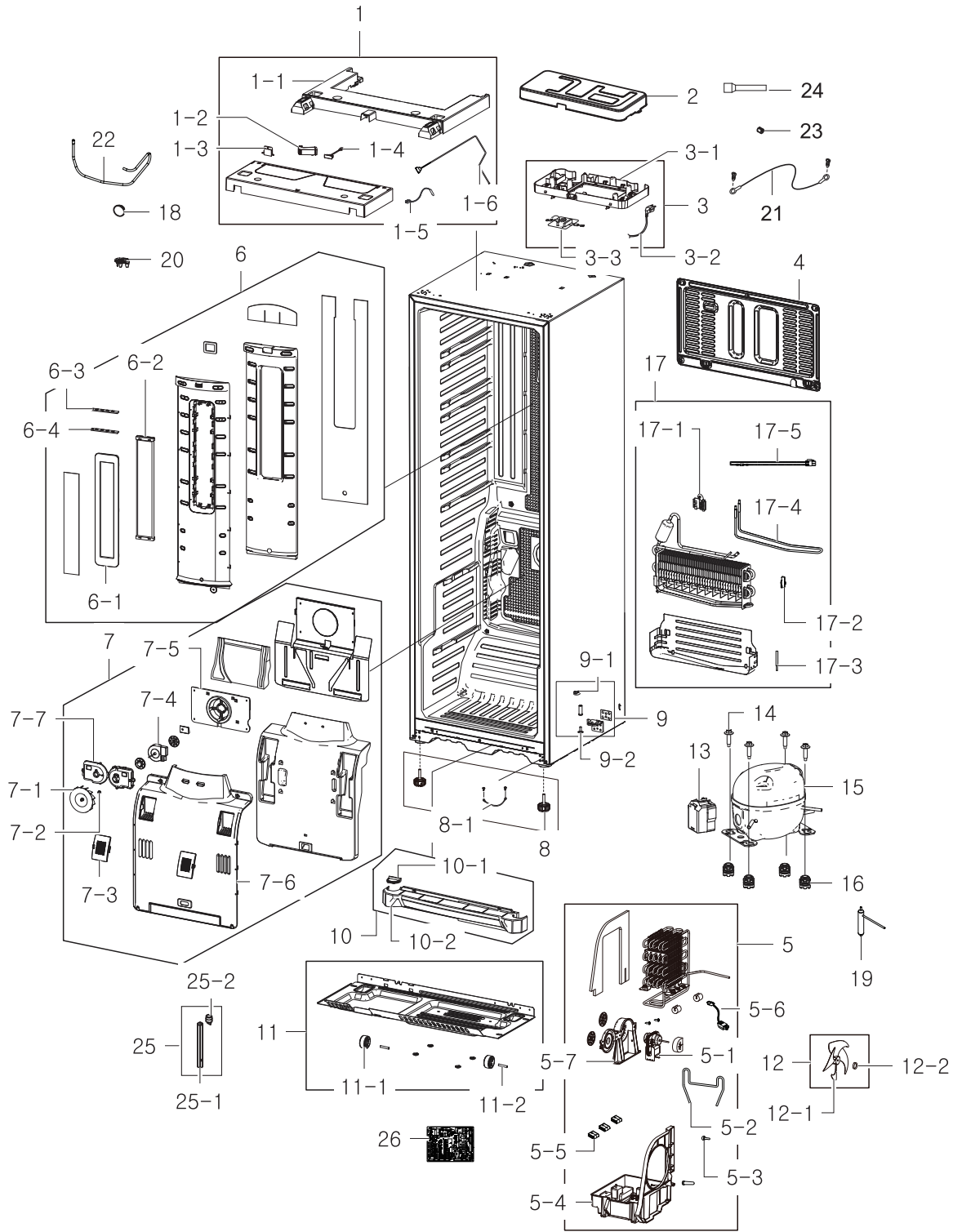


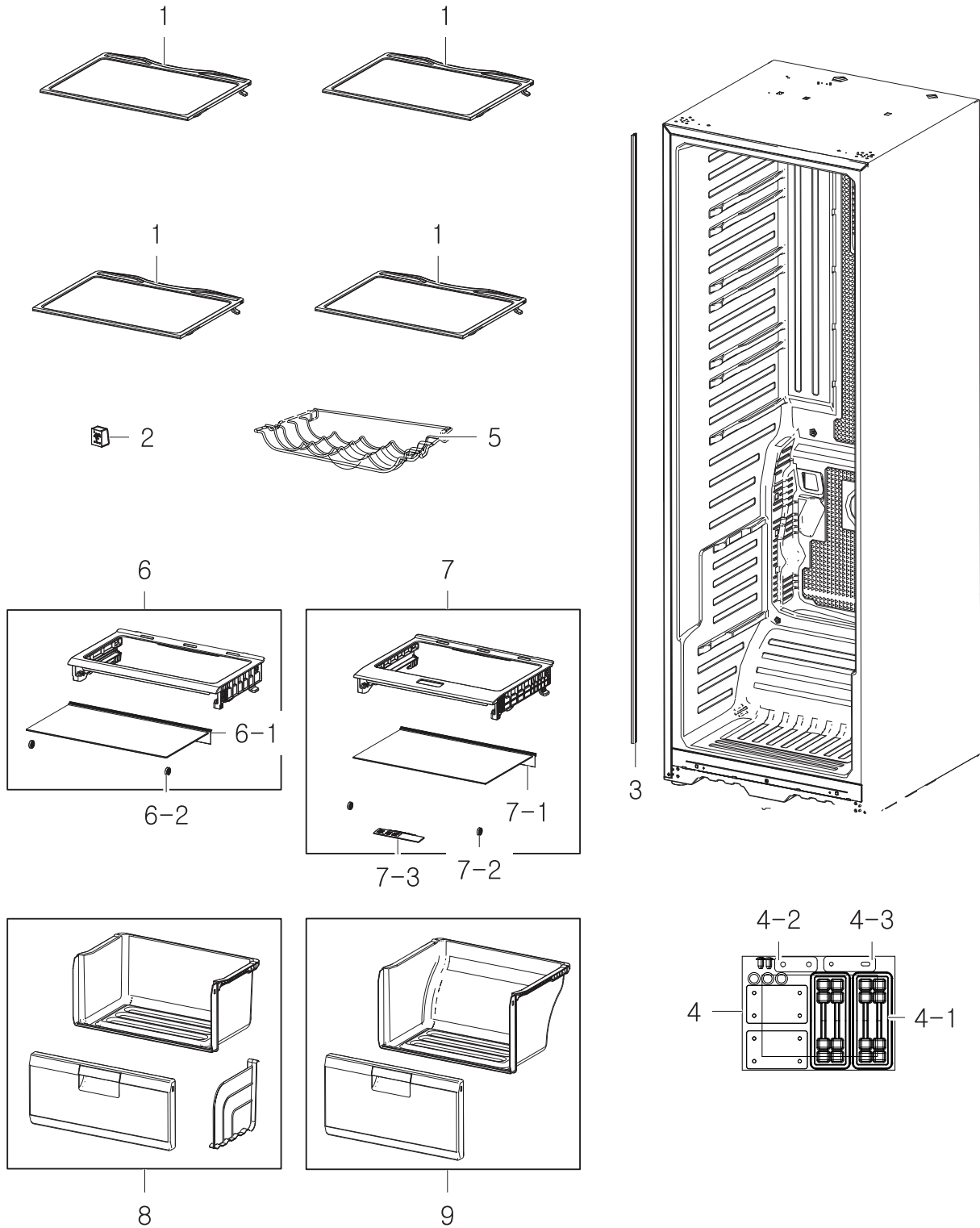
# 1. Fridge

## Exploded View



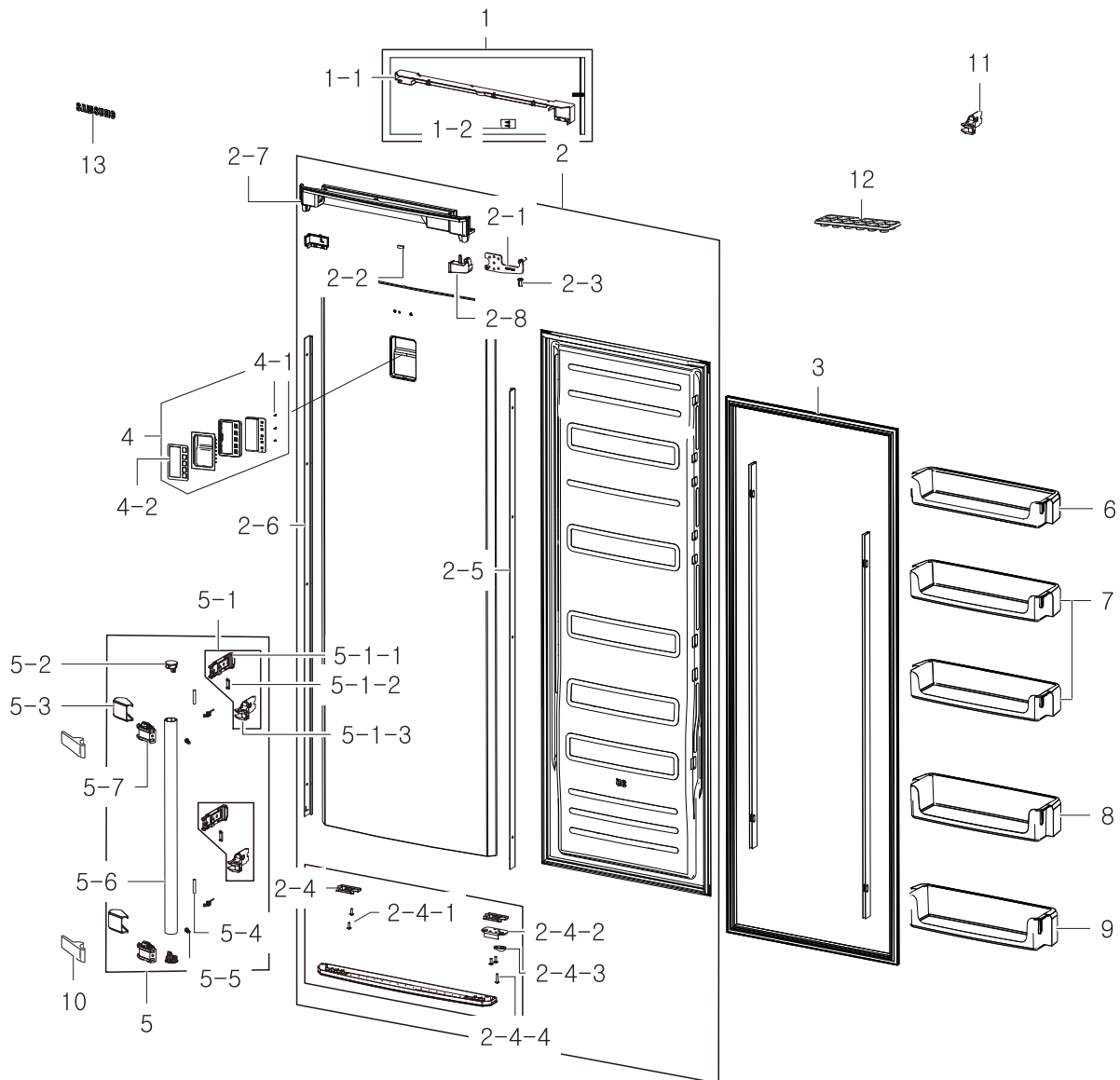
## 2. Fridge2

### Exploded View



### 3. Water Dispenser Door

#### Exploded View



#### Parts List

No.	Lvl.	Loc.	Material Code	Description & Specification	SNA	Qty.
1	2	RO271	DA97-08050A	ASSY COVER-WIRE DOOR R; TWIN-PJT,SNOW WHI	SA	1
1-1	3	RO274	DA63-04851A	COVER-WIRE DOOR R; TWIN-PJT,ABS,SNOW WHIT	SC	1
1-2	3	RR986	DA67-00859E	CAP-DOOR HANDLE; CORE,ABS,HG-0760GP,SNOW	SA	2
2	2	RE001	DA91-02851A	ASSY DOOR FOAM REF-E; TWIN-35,SNOW WHITE,	SA	1