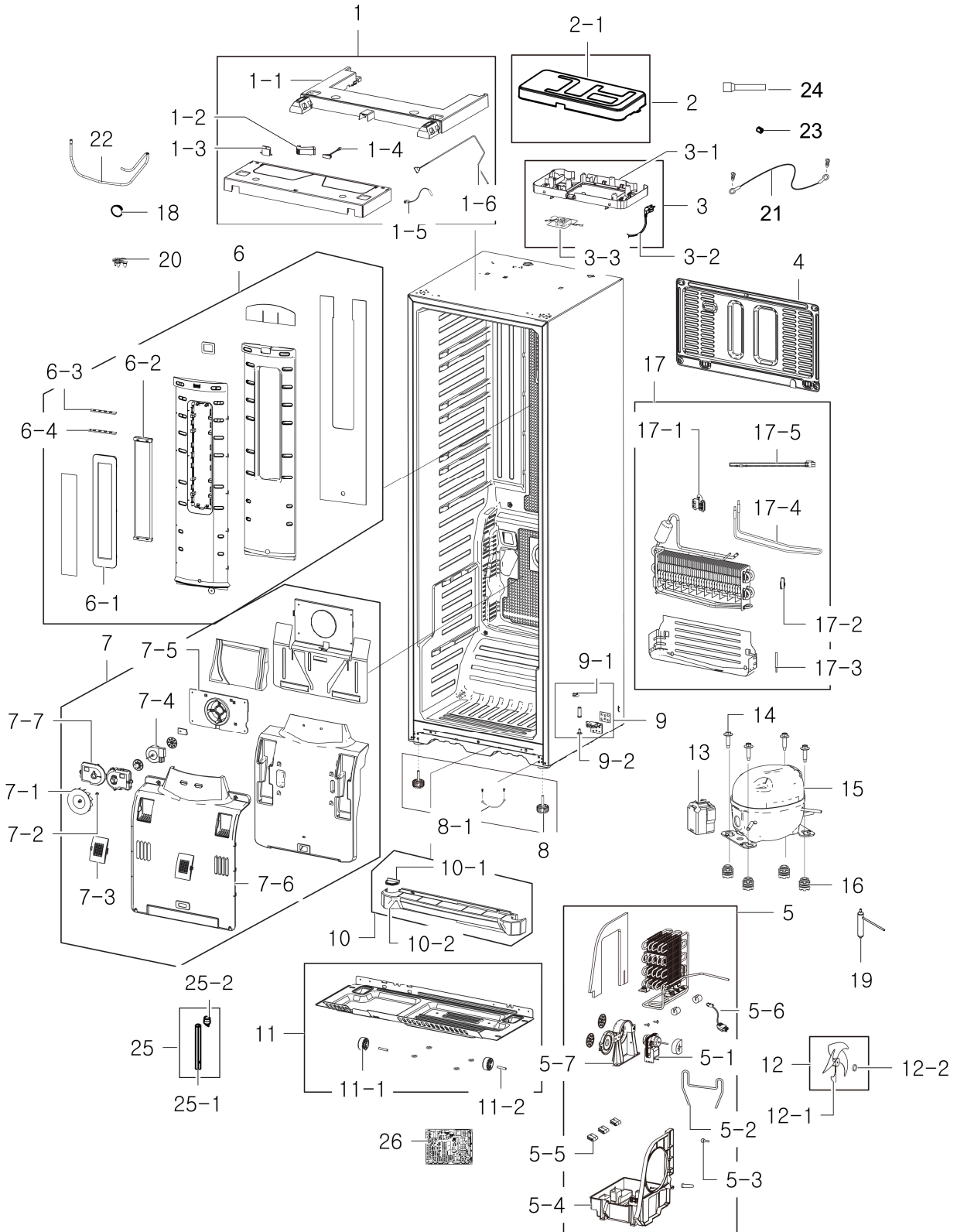


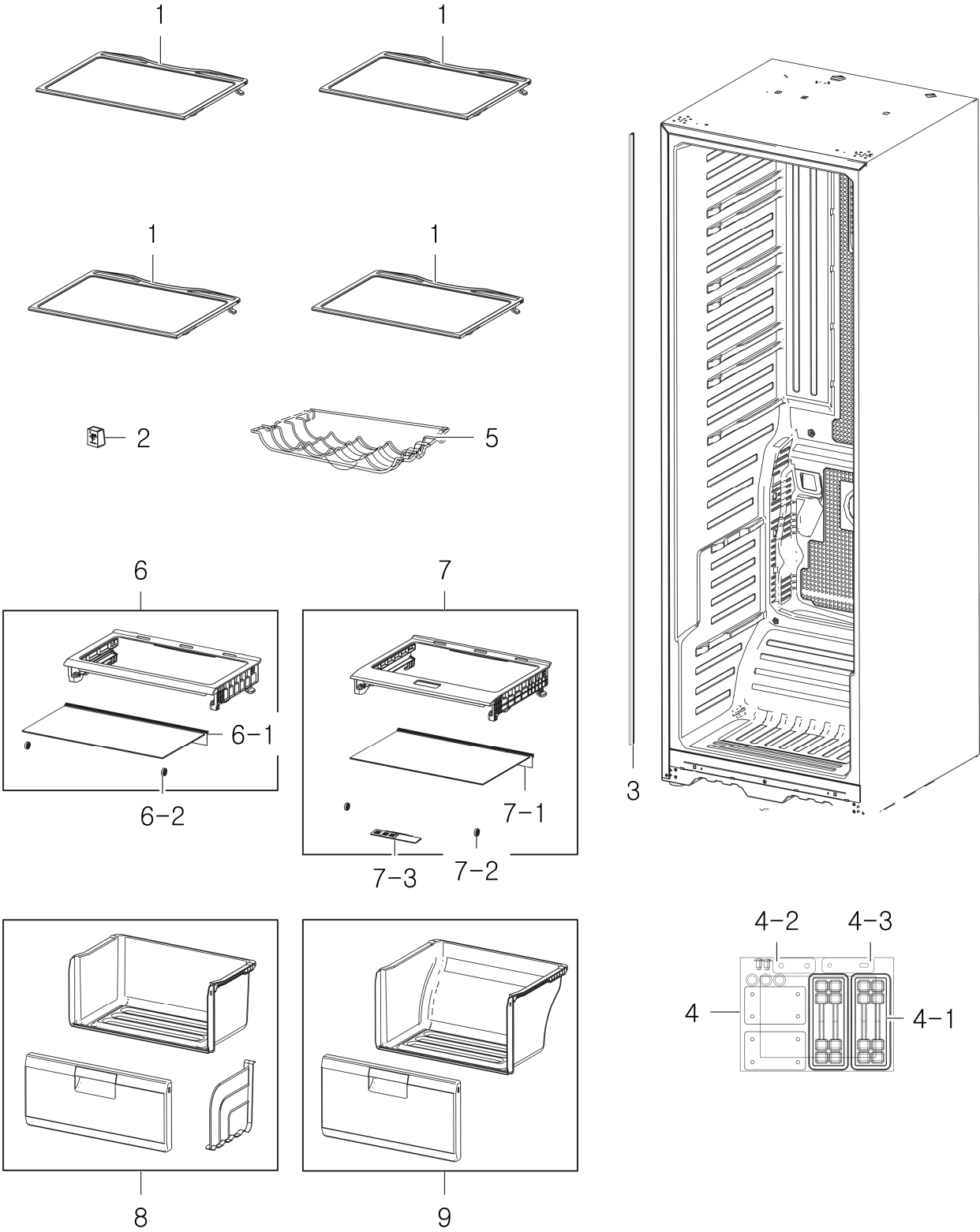
# 1. Fridge

## Exploded View



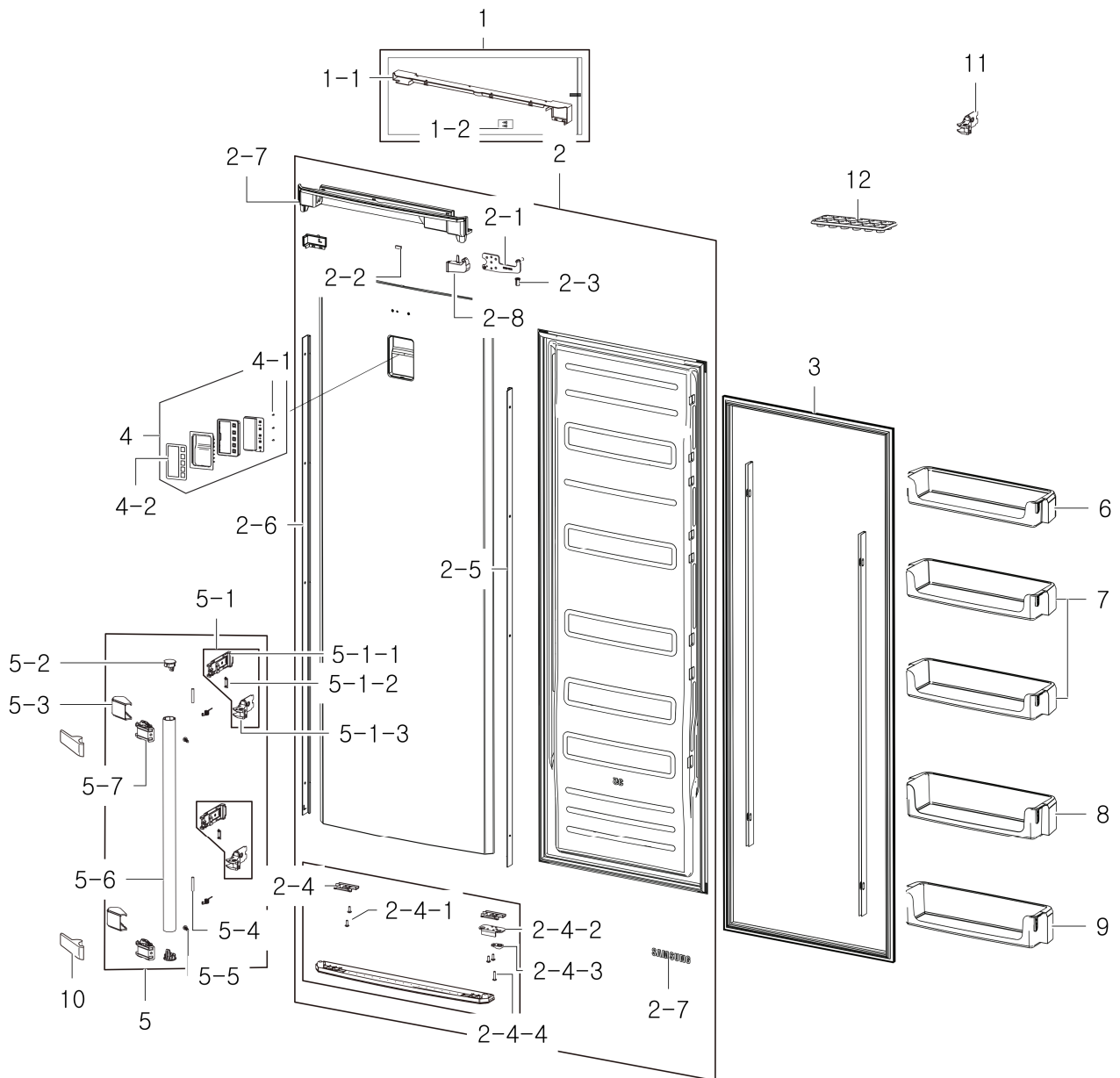
# 2. Fridge2

## Exploded View



## 3. Water Dispenser Door

### Exploded View



### Parts List

No.	Lvl.	Loc.	Material Code	Description & Specification	SNA	Qty.
1	2	RO271	DA97-08050D	ASSY COVER-WIRE DOOR R; TWIN-PJT,INOX	SA	1
1-1	3	RO274	DA63-04851D	COVER-WIRE DOOR R; TWIN-PJT,ABS,-,-,-,-,-	SA	1
1-2	3	RR984	DA67-00859C	CAP-DOOR HANDLE; CORE,ABS,-,-,-,INOX,SC-0	SA	2
2	2	RE001	DA91-02851D	ASSY DOOR FOAM REF-E; TWIN-35,INOX,B,ELEC	SA	1
2-1	5	RO040	DA97-07376A	ASSY HINGE UPP; TWIN-PJT,-,-,-,-,-,-,-	SA	1