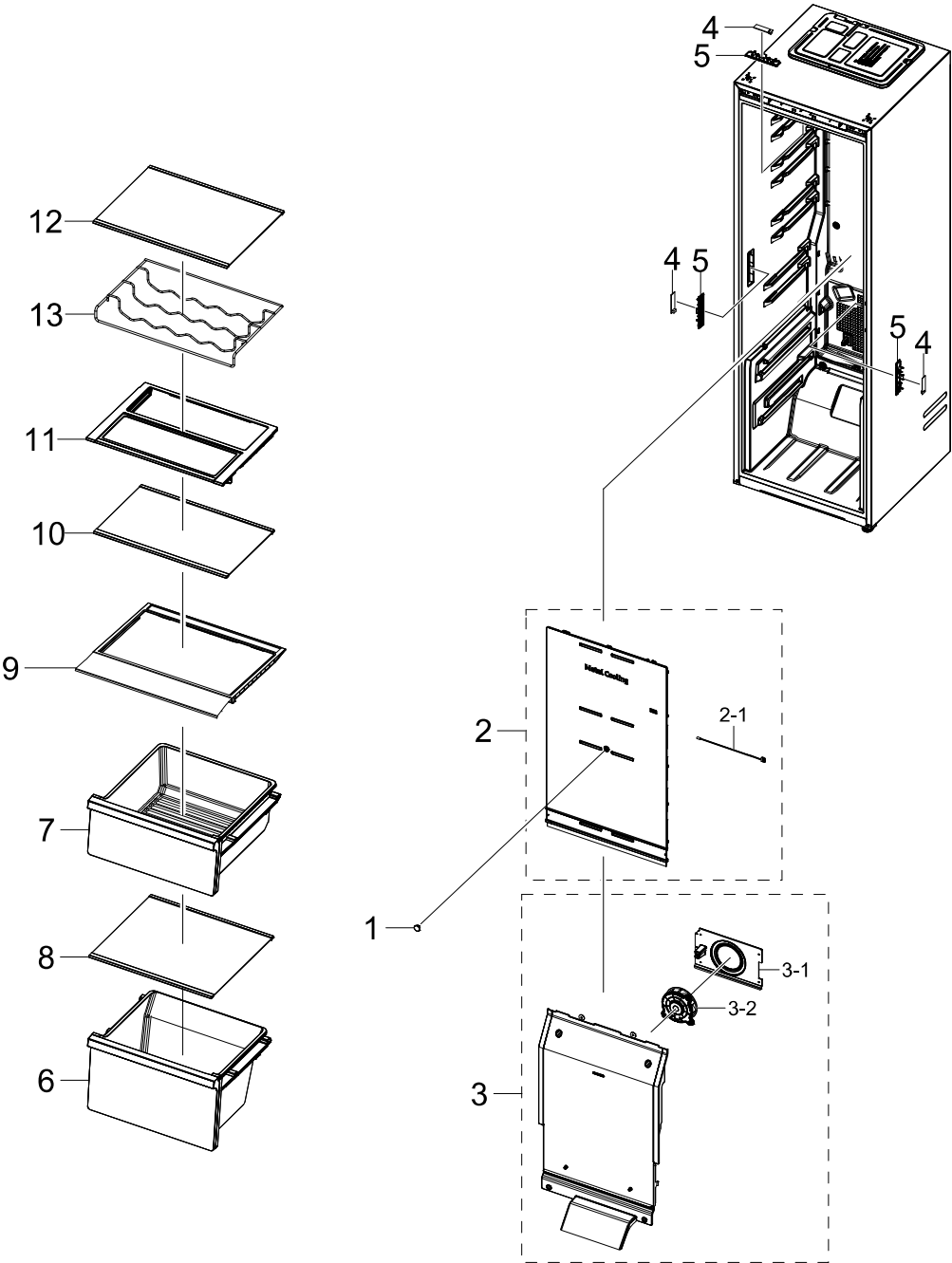


# 1. FRIDGE

FRIDGE

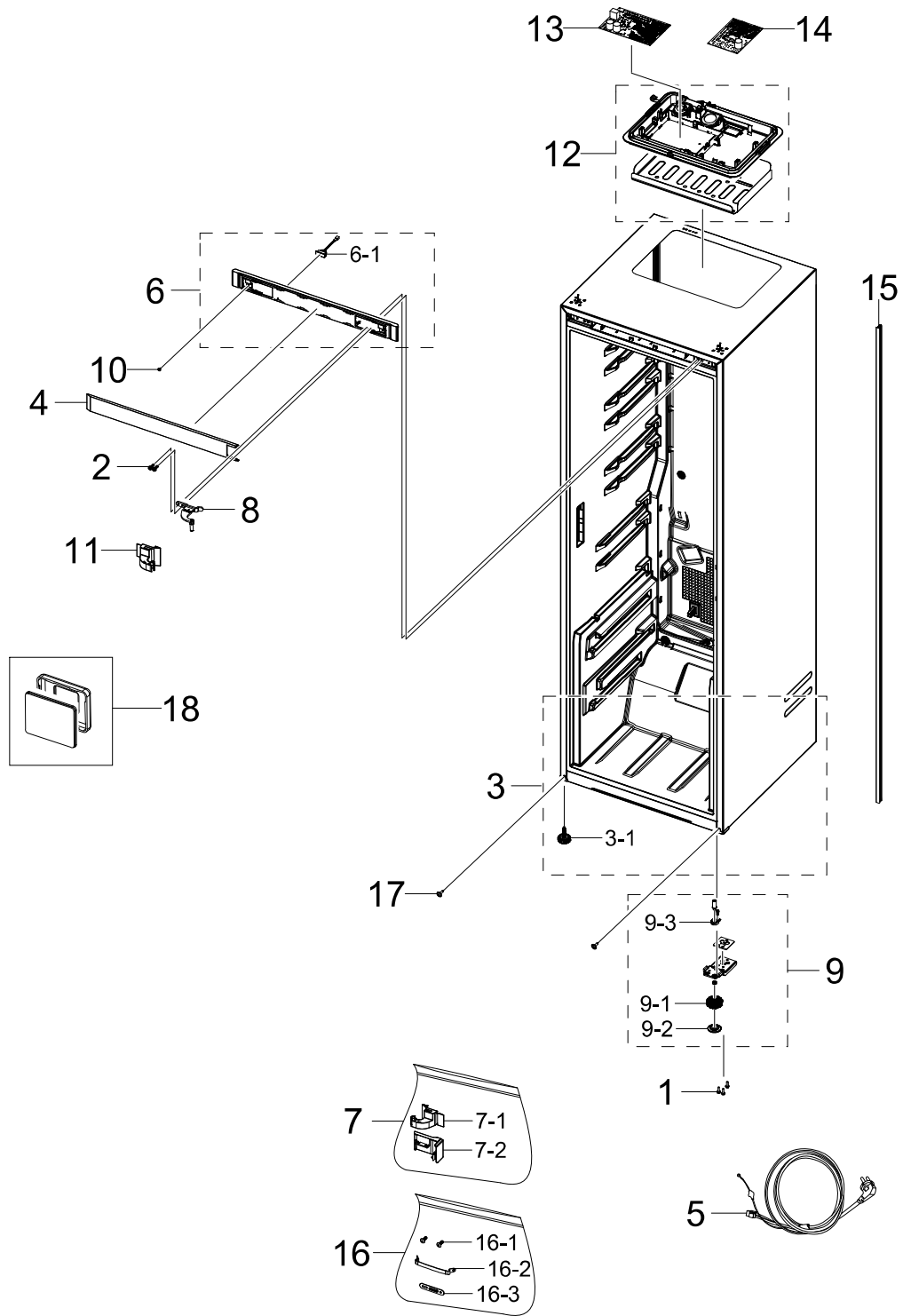
Exploded View



# 2. CABINET

CABINET

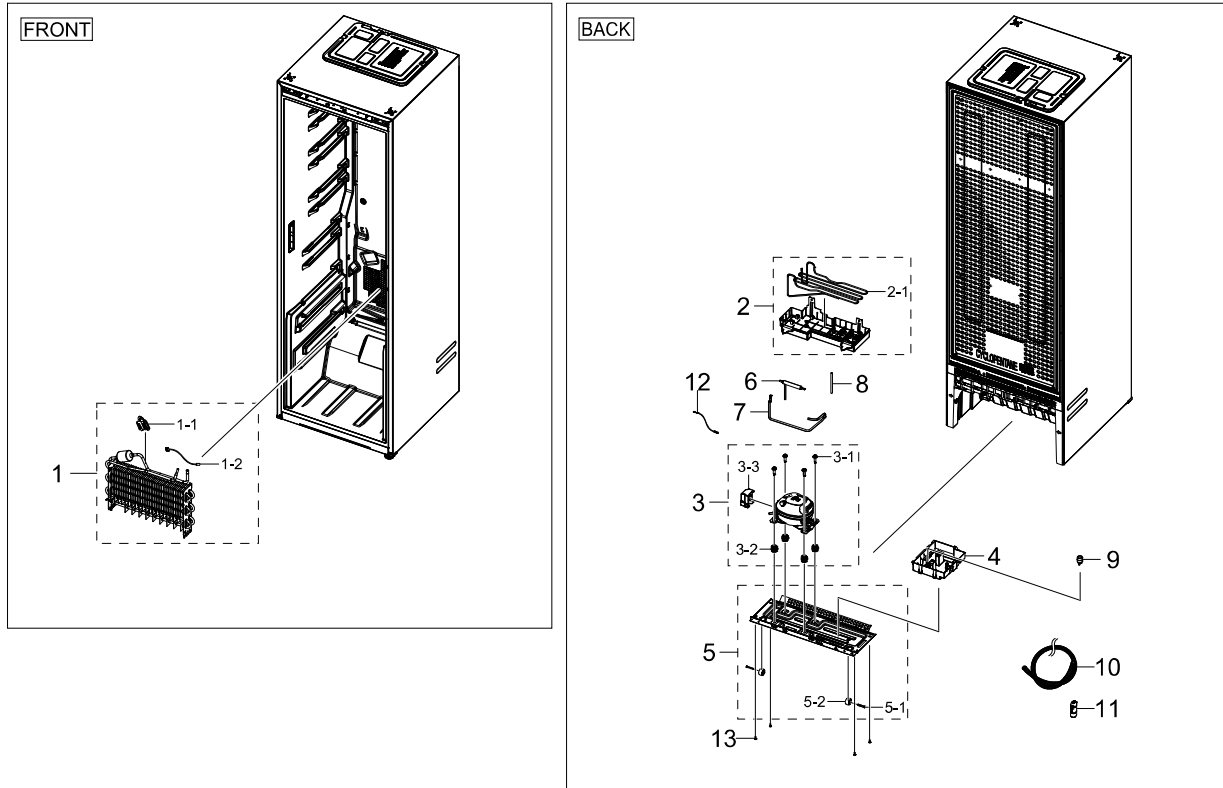
Exploded View



### 3. CYCLE

#### CYCLE

#### Exploded View



#### Parts List

No.	Lvl.	Loc.	Material Code	Description & Specification	SNA	Qty.
1	2	A0184	DA96-01212A	ASSY EVAP-REF; RR7000M,FIN TUBE,Alumite	SA	1
1-1	3	T0066	DA61-00603A	FIXER SENSOR; n-PJT,PP,T2,NATURAL,BJ750	SA	1
1-2	3	A1018	DA32-00070G	SENSOR TEMP; SC41198-021A, PVC TUBE 200mm	SA	1
2	2	A0529	DA97-18932A	ASSY TRAY DRAIN WATER; RR7000M_REF,Immerg	SA	1
2-1	3		DA62-05135A	PIPE IMMERSING; RR7000M,TSW,OD4.76,T0.7	SA	1
3	2		NN35J9602APTT3	CMP,COMP,REFRIGERATOR,R-600A; CMP,COMP,REFRIGERATOR,R-600A		1
3-1	3	A0564	6011-004061	BOLT-HEX; M6,L43.6.ZPC(SILVER),HH,SOCKET,	SA	4
3-2	3	Z1112	DA63-02617C	GROMMET COMP; NN34J9902AP,IIR,BLACK,H28.3	SA	4

# 4. ASSY DOOR

## ASSY DOOR

### Exploded View

