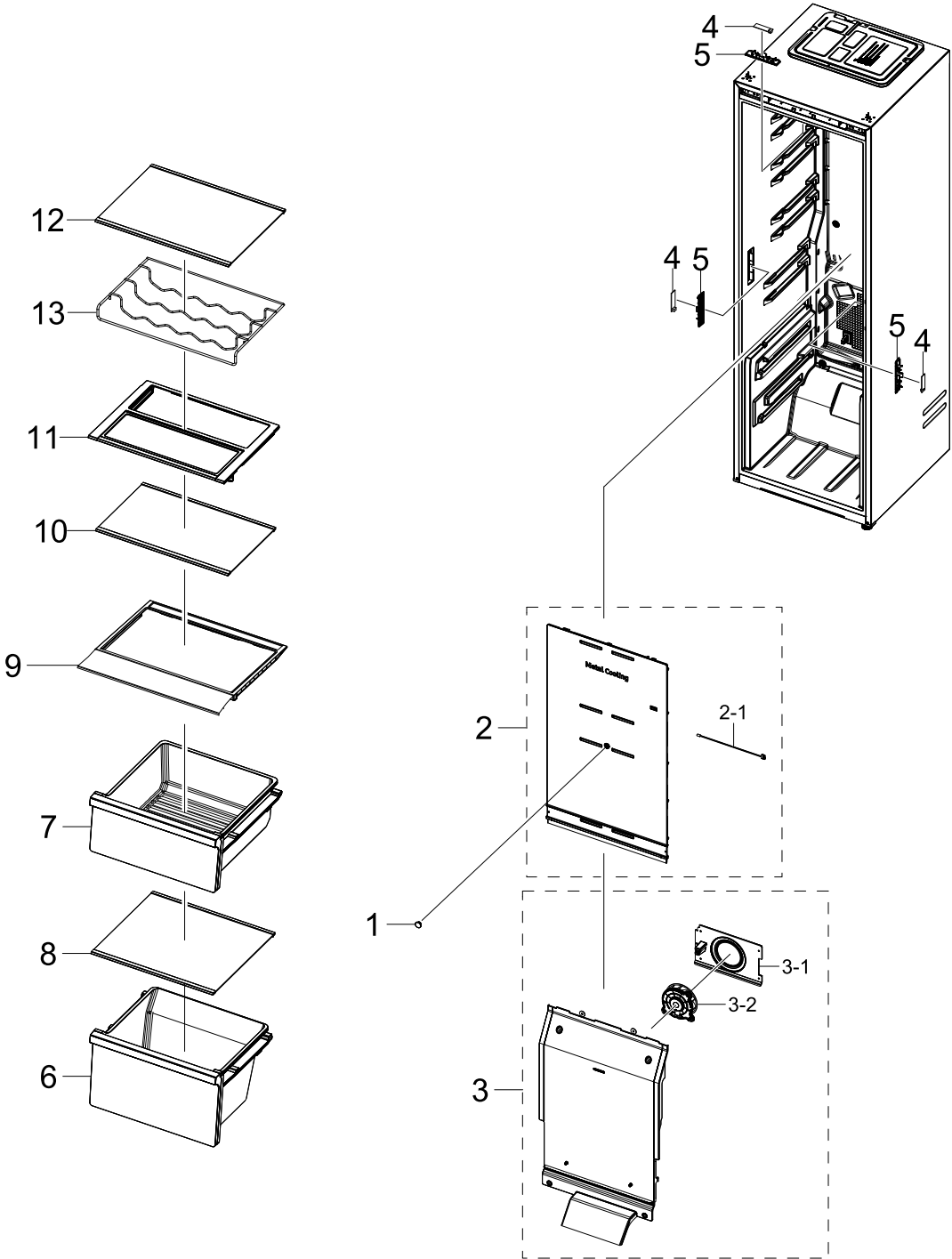


# 1. FRIDGE

## FRIDGE

### Exploded View



## Parts List

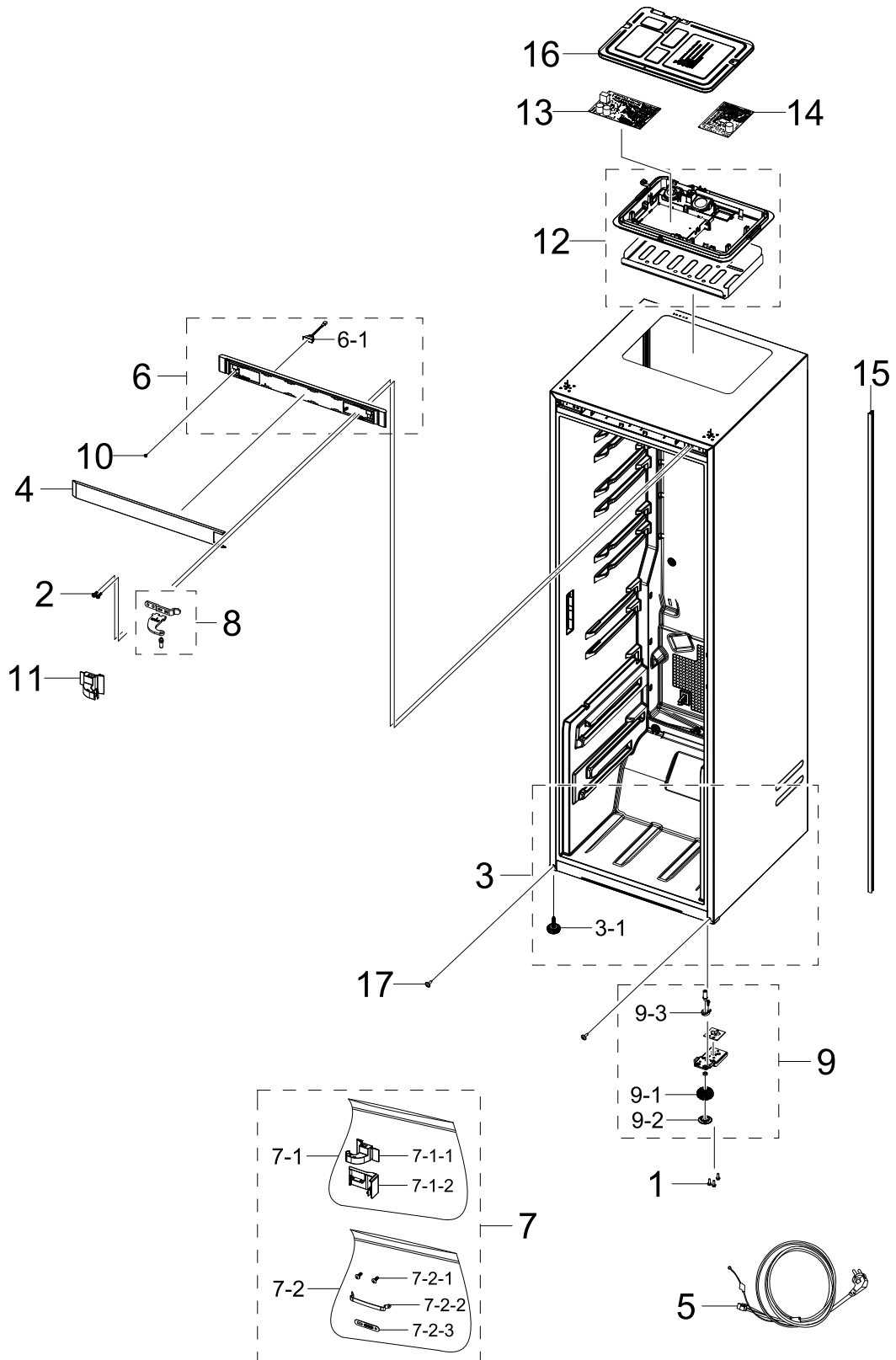
No.	Lvl.	Loc.	Material Code	Description & Specification	SNA	Qty.
1	2	A0270	DA67-30266K	CAP SCREW; A-TOP,PP,T1.5,HB,BJ750,COOL WH	SA	1
2	2	G0239	DA97-17201A	ASSY COVER MULTI-REF; RR7000M	SA	1
2-1	3	A1018	DA32-00070C	SENSOR TEMP; SC41200-021A,L250,13.2kohm,2	SA	1
3	2	Z1177	DA97-17186A	ASSY COVER EVAP-REF; RR7000M	SA	1
3-1	3	M0143	DA61-08425A	CASE-MOTOR FRE; HM12,ABS,INNER GRAY,CNTK	SA	1
3-2	3		DA31-00334D	MOTOR BLDC FAN;12035GE-12M-YT,1775±7%,12	SA	1
4	2	G0090	DA41-00519R	ASSY LAMP LED; 3ea,CEM-1,65*10*1.6T,WHITE	SA	3
5	2	A0280	DA63-07368A	COVER LAMP; 3050,SBC,T2,HB,NATURAL,KR01	SA	3
6	2	M0300	DA97-17508B	ASSY CASE VEG-LOW; RR7000M,Hot Stamping	SA	1
7	2		DA97-17509B	ASSY CASE VEG-UP; RR7000M,H/S	SA	1
8	2		DA97-17522B	ASSY SHELF-REF LOW; RR7000M	SA	1
9	2		DA97-17679A	ASSY SHELF VEG-LOW; RR7000M,BASIC	SA	1
10	2	A0186	DA97-17521B	ASSY SHELF-REF; RR7000M,SILVER TRIM	SA	1
11	2		DA97-17684A	ASSY SHELF FOLDER-REF; RR7000M,SILVER TRI	SA	1
12	2		DA97-17517B	ASSY SHELF-REF UP; RR7000M,SILVER TRIM	SA	2
13	2		DA75-00268C	RACK WINE; SVETA,MSWR70,-,-,Ni-Cr PLATING	SA	1

## 2. CABINET

---

CABINET

### Exploded View



## Parts List

No.	Lvl.	Loc.	Material Code	Description & Specification	SNA	Qty.
1	2	A0564	6011-008075	BOLT-HEX; M5(P0.8),L20,ZPC(WHT),HWH,+,SWR	SA	3
2	2	A0564	6011-001546	BOLT-HEX; M5(P0.8),L16,ZPC(WHT),HWH,+,SWR	SA	2
3	2		DA97-17309C	ASSY CABI FRAME-BOTTOM; RR7000M,PP,FLAME-	SNA	1
3-1	3	Z1128	DA61-07546B	LEG-FRONT; GRAND CRU,PP,BLACK,RM60,PP Scr	SA	1
4	2		DA63-08660A	COVER FRAME-TOP FRONT; RR7000M,ABS,-,HB,I	SA	1
5	2	A0273	3903-000794	POWER CORD-AT; H05VV-F 3x0.75mm2,BLK,EU3F	SA	1
6	2	A0904	DA97-17351A	ASSY COVER CONTROL-FRONT; RR7000M,INOX GR	SA	1
6-1	3		DA34-00043J	SWITCH REED; UL1007 AWG 22,50mm	SA	1
7	2		DA91-05471A	ASSY INSTALL-REVERSIBLE KIT; RR7000M,INOX	SA	1
7-1	3		DA91-04724A	ASSY INSTALL-REVERSIBLE KIT; RR7000M,INOX	SNA	1
7-1-1	4		DA63-08657A	COVER WIRE-HINGE LEFT; RR7000M,ABS,HB,INO	SA	1
7-1-2	4		DA67-04366A	CAP SPACE-DOOR RIGHT; RR7000M,ABS,HB,ABS2	SA	1
7-2	3		DA99-04217A	ASSY INSTALL-PAIR KIT; RR7000M,GLOBAL	SA	1
7-2-1	4	G0412	6002-000613	SCREW-TAPPING; TH,+,-,2,M5,L16,ZPC(WHT),S	SA	2
7-2-2	4		DA61-10671A	REINF LEG-BOTTOM; BK,CR-SPCC,T1.2,PAIR IN	SA	1
7-2-3	4		DA61-10679A	FIXER LOCKER; BK,CR-SPCC,T1,PAIR INSTALL	SA	1
8	2		DA97-17372A	ASSY HINGE-UP; RR39M7*,T4.0,BLACK	SA	1
9	2	M0344	DA97-17371A	ASSY HINGE-LOW RIGHT; RR7000M,T4.0,BLACK	SA	1
9-1	3	A0577	DA61-07972B	FOOT-FRONT; POLARIS,PP,BLACK,INSERT NUT,	SA	1
9-2	3	A0863	DA61-07973B	FOOT; POLARIS,PP,BLACK,PP_S,0103-007539,R	SA	1
9-3	3	M0266	DA66-00401A	CAM-RISER; SAPPHIRE-PJT,PA66,BLACK,KN3311	SA	1
10	2	G0412	6002-000239	SCREW-TAPPING; SWRCH18A,ZPC(WHT),L8,M4,TH	SA	1
11	2		DA63-08658A	COVER WIRE-HINGE RIGHT; RR7000M,ABS,HB,IN	SA	1
12	2		DA97-17314B	ASSY CASE PBA; RR7000,PP	SNA	1

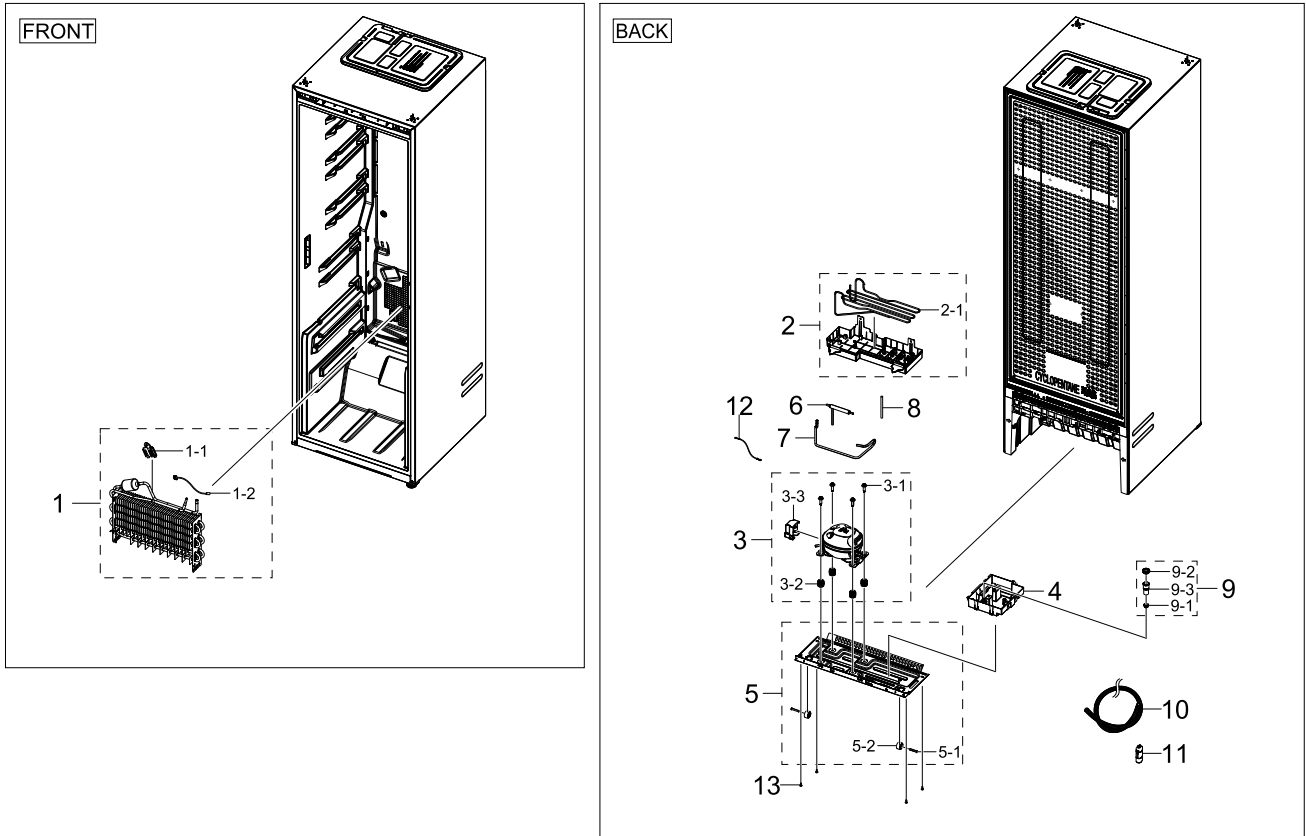
## Exploded Views and Parts List

No.	Lvl.	Loc.	Material Code	Description & Specification	SNA	Qty.
13	1	A0952	DA92-00979K	ASSY PCB MAIN; RR7000M,160*194,FRIDGE,R F	SA	1
14	1		DA92-00459P	ASSY PCB INVERTER; INVERTER,3050,148*98.5	SA	1
15	2		DA61-10672D	FIXER; RR7000M,ABS,INOX GRAY,HG-0760GP,GY	SA	1
16	2		DA97-17317A	ASSY COVER PBA; RR7000M,GI-SGCC	SA	1
17	2	G0412	6006-001083	SCREW-TAPPING; PWH,+,PW,1,M4,L16,ZPC(WHT)	SA	2

# 3. CYCLE

## CYCLE

### Exploded View



### Parts List

No.	Lvl.	Loc.	Material Code	Description & Specification	SNA	Qty.
1	2	A0184	DA96-01212A	ASSY EVAP-REF; RR7000M,FIN TUBE,Alumite	SA	1
1-1	3	T0066	DA61-00603A	FIXER SENSOR; All model,PP,T2,BLACK,-,TYP	SA	1
1-2	3	A1018	DA32-00070G	SENSOR TEMP; SC41198-021A, PVC TUBE 200mm	SA	1
2	2	A0529	DA97-18932B	ASSY TRAY DRAIN WATER; RR7000M_REF,New Im	SA	1
2-1	3		DA62-05135B	PIPE IMMERSING; RR7000M,TSW,OD4.76,T0.7,N	SA	1
3	2		NC4AV80ALR/TT2	CMP,COMP,REFRIGERATOR,R-600A; CMP,COMP,REFRIGERATOR,R-600A	SNA	1
3-1	3	A0564	6011-004061	BOLT-HEX; M6,L43.6,ZPC(SILVER),HH,SOCKET,	SA	4

Exploded Views and Parts List

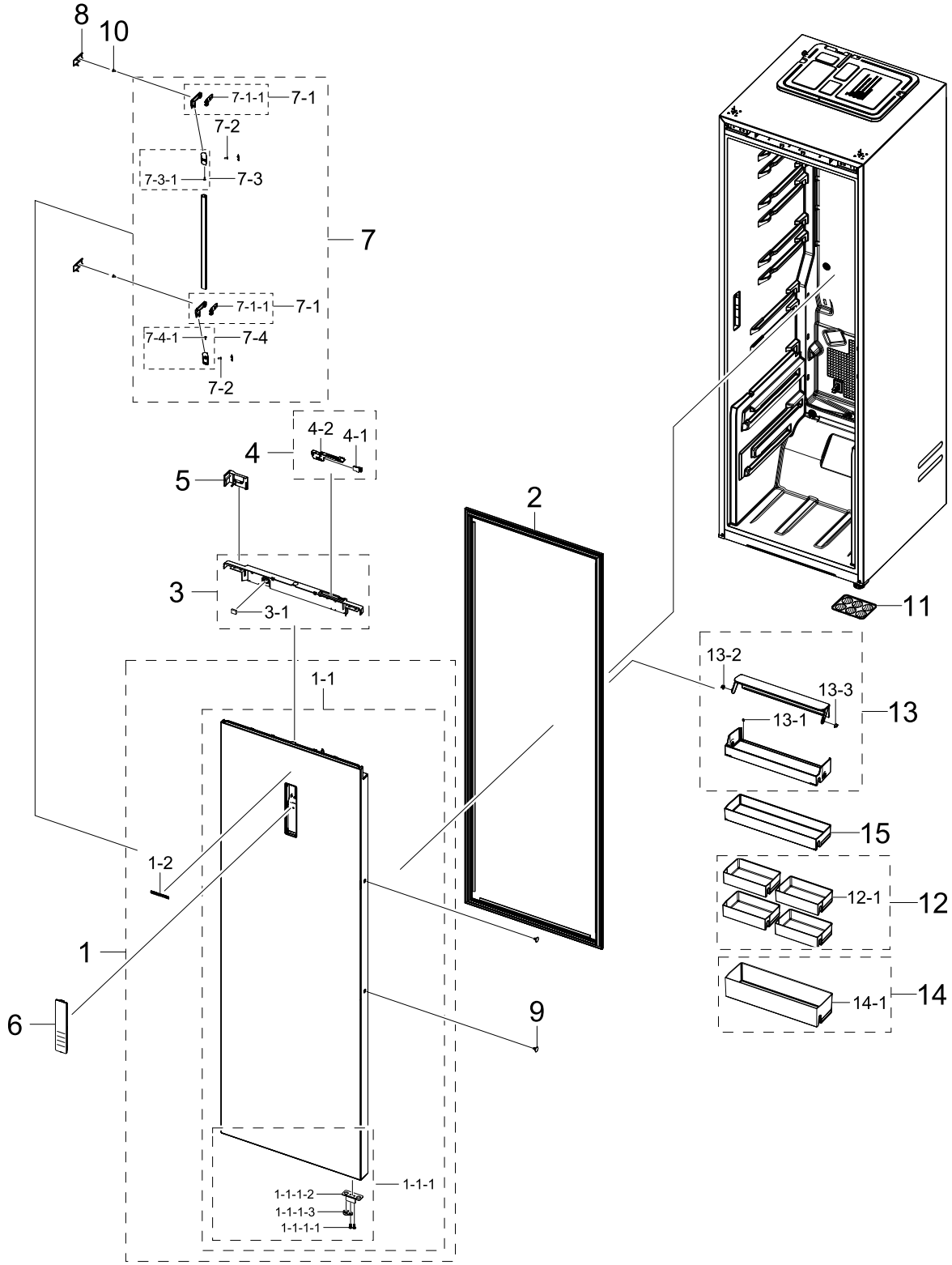
No.	Lvl.	Loc.	Material Code	Description & Specification	SNA	Qty.
3-2	3	Z1112	DA63-02617C	GROMMET COMP; NN34J9902AP,IIR,BLACK,H28.3	SA	4
3-3	3	Z1032	DA63-06122A	COVER RELAY; MSV,MPPE,T2,BLACK,N300X,V-0	SA	1
4	2		DA97-17864A	ASSY TRAY; RR7000M,TRAY DRAIN WATER, SEAL	SA	1
5	2	A0526	DA97-17325B	ASSY CHASSIS COMP; RR7000/RB4000,T0.8	SA	1
5-1	3	A0861	DA60-90146A	PIN-CASTER; SR-289-429,MSWR10,L38	SA	2
5-2	3	A0527	DA61-06202A	CASTER-REAR; GRAND-CRU,PP,NATURAL	SA	2
6	2	A0669	DA62-04309C	DRYER; C1220T-H,L118,SINGLE MOUTH,For Cap	SA	1
7	2		DA62-04855A	PIPE CONNECT-SUCTION; RR7000M,Cu,6.35,0.6	SA	1
8	2		DA73-00199D	PIPE CONNECT; RT5/6/7000K,Cu,OD6.35,T0.6,	SA	1
9	2		DA97-18856A	ASSY CAP DRAIN; RQ9500M	SA	1
9-1	3	A0336	DA61-05021A	FIXER-DRAIN; HAEMIL,PP,T0.6,CARMEN WINE,B	SA	1
9-2	3		DA63-02761A	GROMMET-DRAIN; RS18RK,NBR,BLACK	SA	1
9-3	3	A0492	DA67-01301A	CAP-DRAIN; AW4,HIPS,HB,576H,NATURAL	SA	1
10	2	G0415	DA67-04495A	HOSE DRAIN; RT25/22/20,HDPE,NATURAL,RECYC	SA	0
11	2		DA63-08943A	GROMMET; BRR9000M,NBR,CAPI GROMMET	SA	1
12	2	A0562	DA39-20389A	ASSY WIRE HARNESS-EARTH; EARTH,ALL,FREE V	SA	1
13	2	G0412	6002-000613	SCREW-TAPPING; TH,+,-,2,M5,L16,ZPC(WHT),S	SA	4



# 4. ASSY DOOR

## ASSY DOOR

### Exploded View



## Parts List

No.	Lvl.	Loc.	Material Code	Description & Specification	SNA	Qty.
1	2	Z1100	DA91-04712H	ASSY DOOR FOAM-REF; RR7000M,REF,REFINED I	SA	1
1-1	3		DA97-17654F	ASSY PLATE DOOR-REF; RR7000M,REFINED INOX	SNA	1
1-1-1	4	A0048	DA97-17652A	ASSY CAP DOOR-REF LOW; RR7000M,INOX GRAY	SNA	1
1-1-1-1	5	G0412	6002-000613	SCREW-TAPPING; TH,+,-2,M5,L16,ZPC(WHT),S	SA	2
1-1-1-2	5	A0640	DA61-11383A	STOPPER DOOR; RR7000M,PO-SPHC,T3.0,BLACK,	SA	1
1-1-1-3	5	M0389	DA66-00344A	CAM-HINGE RISER LOW; USP05(ATOP,ET),PA66,	SC	1
1-2	3	M0196	DA64-04020A	MASCOT; All,Ni	SA	1
2	2		DA97-17702A	ASSY GASKET; RR7000M,GRAY, A+ Model	SA	1
3	2		DA97-17366A	ASSY COVER WIRE DOOR; RR7000M,INOX GRAY	SA	1
3-1	3	A0534	DA61-03769B	MAGNET; SVETA,FERRITE,1600Gauss	SA	1
4	2		DA97-17741C	ASSY COVER UNIT; RR7000M,INOX GRAY,Extern	SA	1
4-1	3		DB92-03769A	ASSY MODULE; ASSY GENDER,ASSY GENDER, CEM	SA	1
4-2	3		DA63-08673A	COVER-USB; RR7000M,ABS,HB,INOX GRAY,ABS21	SNA	1
5	2		DA67-04367A	CAP SPACE-DOOR LEFT; RR7000M,ABS,HB,ABS21	SA	1
6	2	A0626	DA97-17284A	ASSY COVER CONTROL; RR7000M,REF,SILVER	SA	1
7	2	A0553	DA97-17287A	ASSY HANDLE; RR7000M,INOX GRAY, EASY	SA	1
7-1	3		DA97-17286A	ASSY HANDLE-A; RR7000M,INOX GRAY	SNA	2
7-1-1	4		DA61-11371A	SUPPORT HANDLE-A; RR7000M,POM,K300,DARK H	SA	2
7-2	3	G0412	6002-001122	SCREW-TAPPING; FH,+1,M4,L14,ZPC(WHT),SWR	SC	2
7-3	3		DA97-15745A	ASSY HANDLE-UP; BK-PJT,INOX GRAY	SNA	1
7-3-1	4	G0412	6002-001122	SCREW-TAPPING; FH,+1,M4,L14,ZPC(WHT),SWR	SC	2
7-4	3	A0811	DA97-15746A	ASSY HANDLE-LOW; BK-PJT,INOX GRAY	SNA	1
7-4-1	4	G0412	6002-001122	SCREW-TAPPING; FH,+1,M4,L14,ZPC(WHT),SWR	SC	2
8	2		DA63-08662A	COVER SLIDER HANDLE; RR7000M,ABS,HB,CREAM	SA	2
9	2		DA67-04025A	CAP SCREW; BK-PJT,ABS,HB,HG-0760GP,INOX G	SA	2

No.	Lvl.	Loc.	Material Code	Description & Specification	SNA	Qty.
10	2	A0848	DA81-01532A	SCREW-MACHINE; BH,+,M5,L12.7,ZPC(WHT),SWR	SA	2
11	2	A0656	DA63-07346A	TRAY EGG; 3050,GPPS,-,HB,TP BLUE,-,HH104,	SA	1
12	2		DA97-15480A	ASSY GUARD VARIETY; BK,HOT STAMPING	SA	4
12-1	3	A0153	DA63-08038A	GUARD VARIETY; RB7000,GPPS,T3,TP BLUE	SA	4
13	2	A0636	DA97-15479A	ASSY GUARD DAIRY; BK,HOT STAMPING	SA	1
13-1	3		DA63-07538A	GROMMET-A; MOUTON12,Si,COOL WHITE,NAME TA	SA	2
13-2	3		DA67-02920A	CAP-HINGE DAIRY R; HERMES,POM,K300,NATURA	SA	1
13-3	3		DA67-02921A	CAP-HINGE DAIRY L; HERMES,POM,K300,NATURA	SA	1
14	2	A0167	DA97-15481A	ASSY GUARD BOTTLE; BK,HOT STAMPING	SA	1
14-1	3	A0151	DA63-08039A	GUARD BOTTLE; RB7000,GPPS,T3,TP BLUE	SA	1
15	2		DA97-17682A	ASSY GUARD-REF UP; RR7000M	SA	1