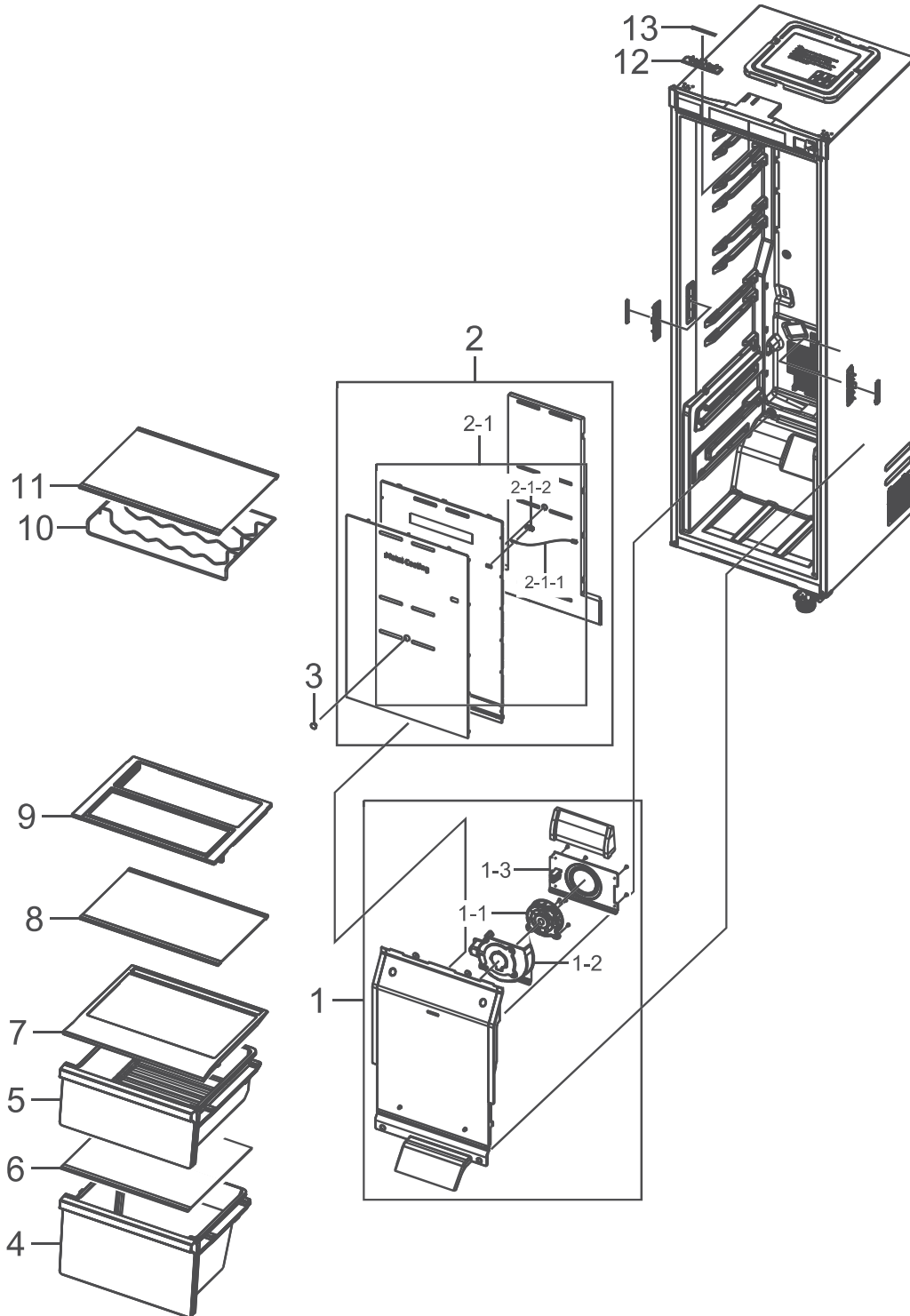


# 1. FRIDGE

FRIDGE

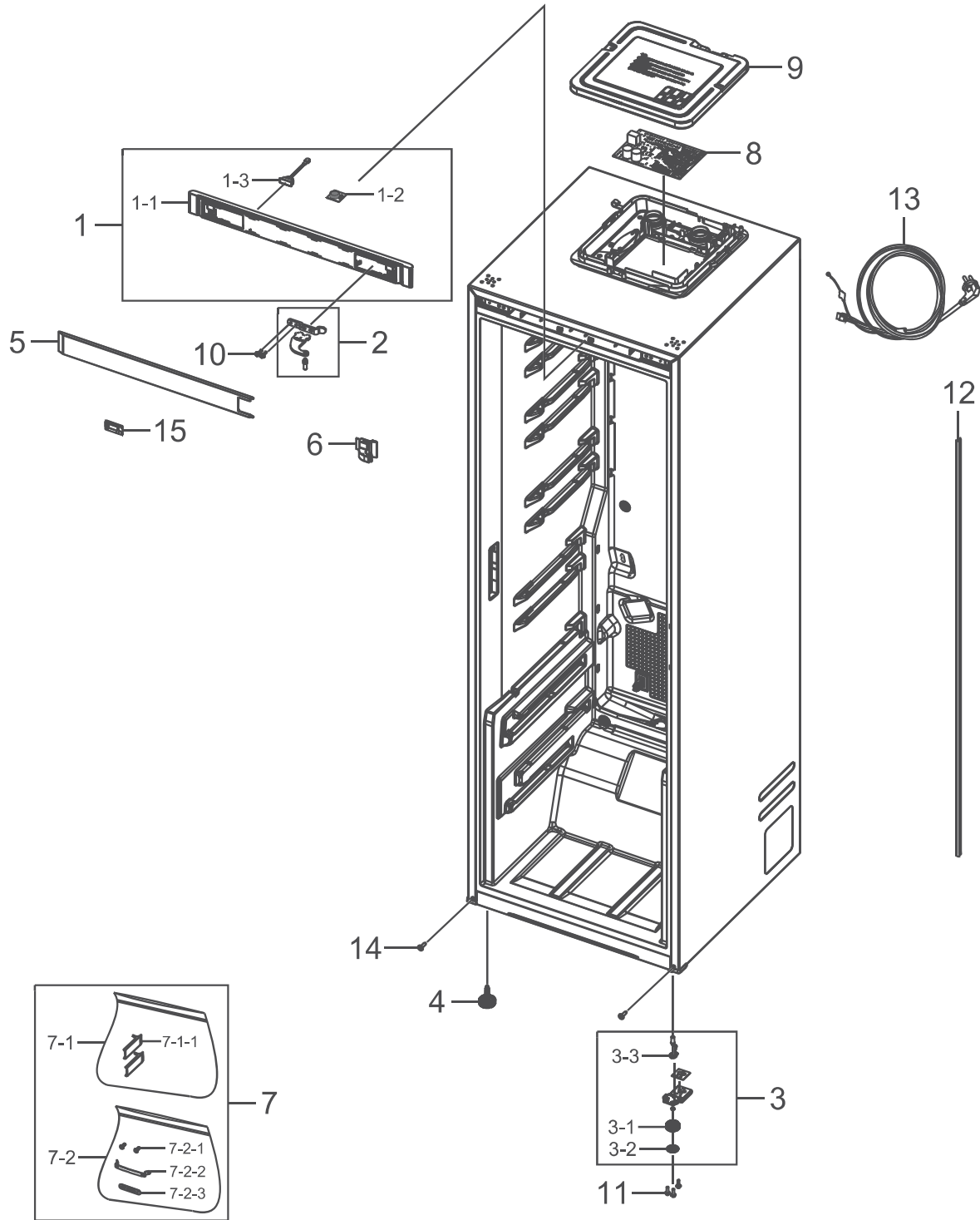
Exploded View



## 2. CABINET

### CABINET

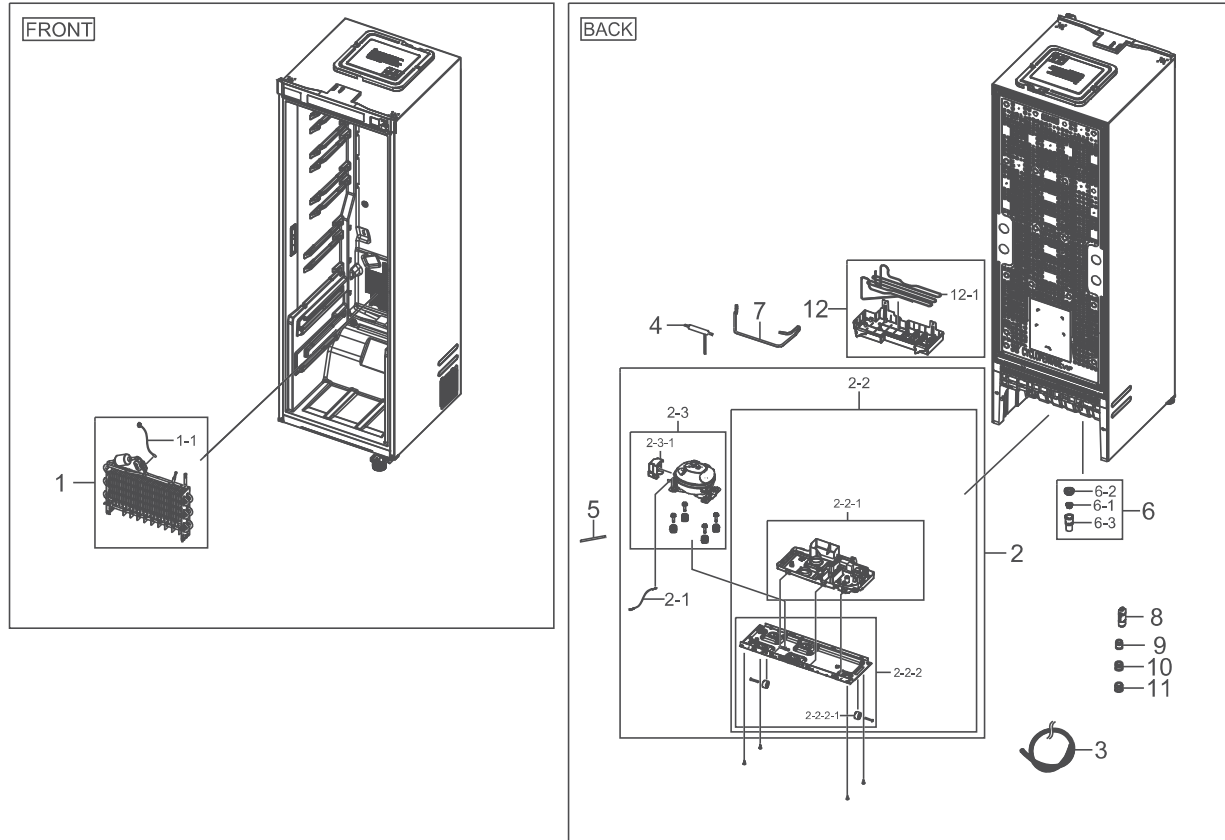
#### Exploded View



### 3. CYCLE

#### CYCLE

#### Exploded View



#### Parts List

No.	Lvl.	Loc.	Material Code	Description & Specification	SNA	Qty.
1	2	A0184	DA96-01212A	ASSY EVAP-REF; RR7000M,FIN TUBE,Alumite	SA	1
1-1	3	A1018	DA32-00070G	SENSOR TEMP; SC41198-021A, PVC TUBE 200mm	SA	1
2	2		DA97-23328B	ASSY COMP N CONDENSING-COND MODULE; RR700	SNA	1
2-1	3	A0562	DA39-20389A	ASSY WIRE HARNESS-EARTH; EARTH,ALL,FREE V	SA	1
2-2	3		DA97-23327A	ASSY CHASSIS-SUB; RR7000M SEPM,REF, NO C-	SNA	1
2-2-1	4		DA97-21381A	ASSY TRAY DRAIN WATER-SUB; RB7300T	SA	1
2-2-2	4	A0526	DA97-23291A	ASSY CHASSIS COMP; RR7000M,GI-SGCC,T0.8	SA	1
2-2-2-1	5	A0527	DA61-06202A	CASTER-REAR; GRAND-CRU,PP,NATURAL	SA	2

# 4. ASSY DOOR

## ASSY DOOR

### Exploded View

