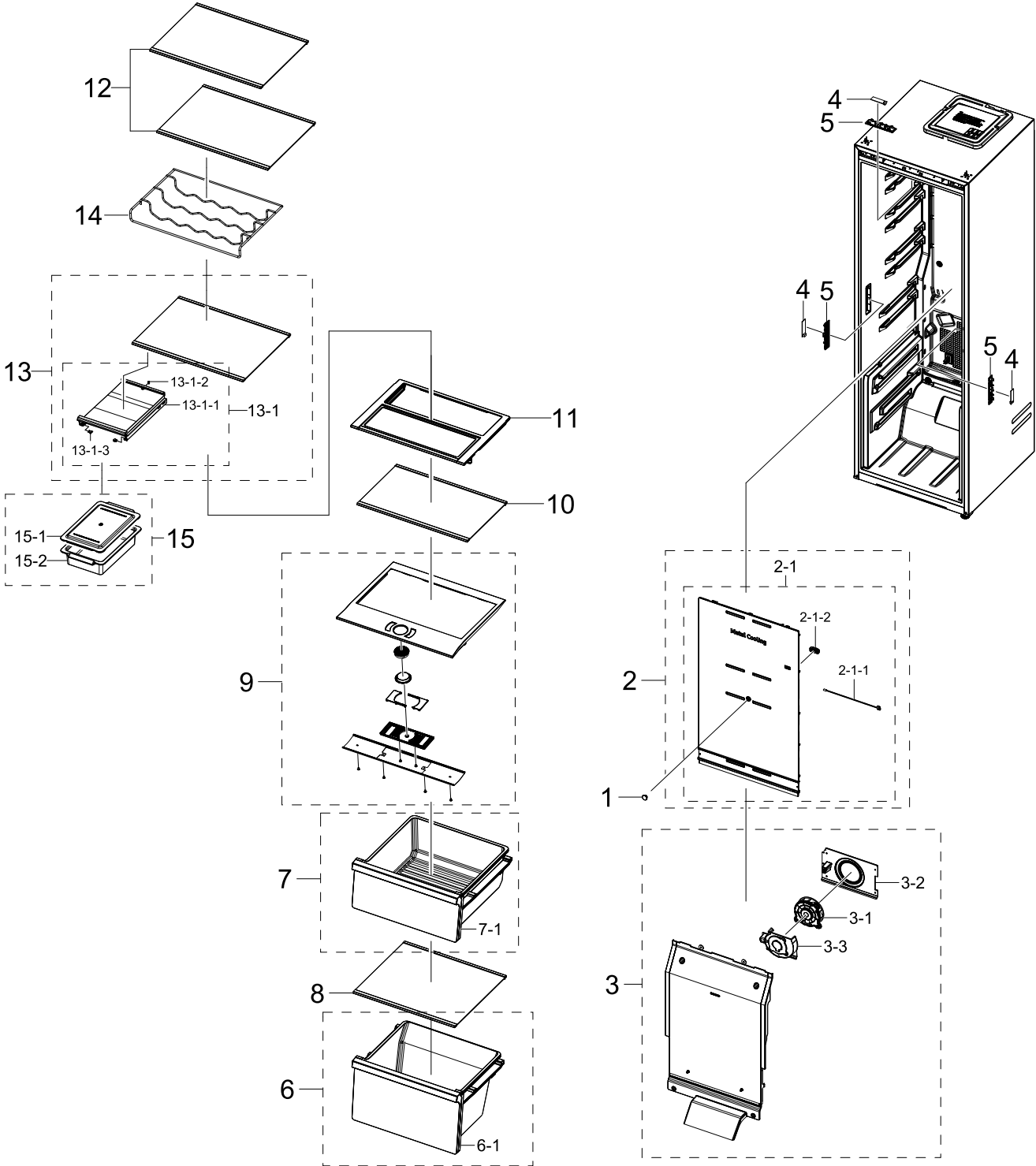


1. FRIDGE

FRIDGE

Exploded View



Parts List

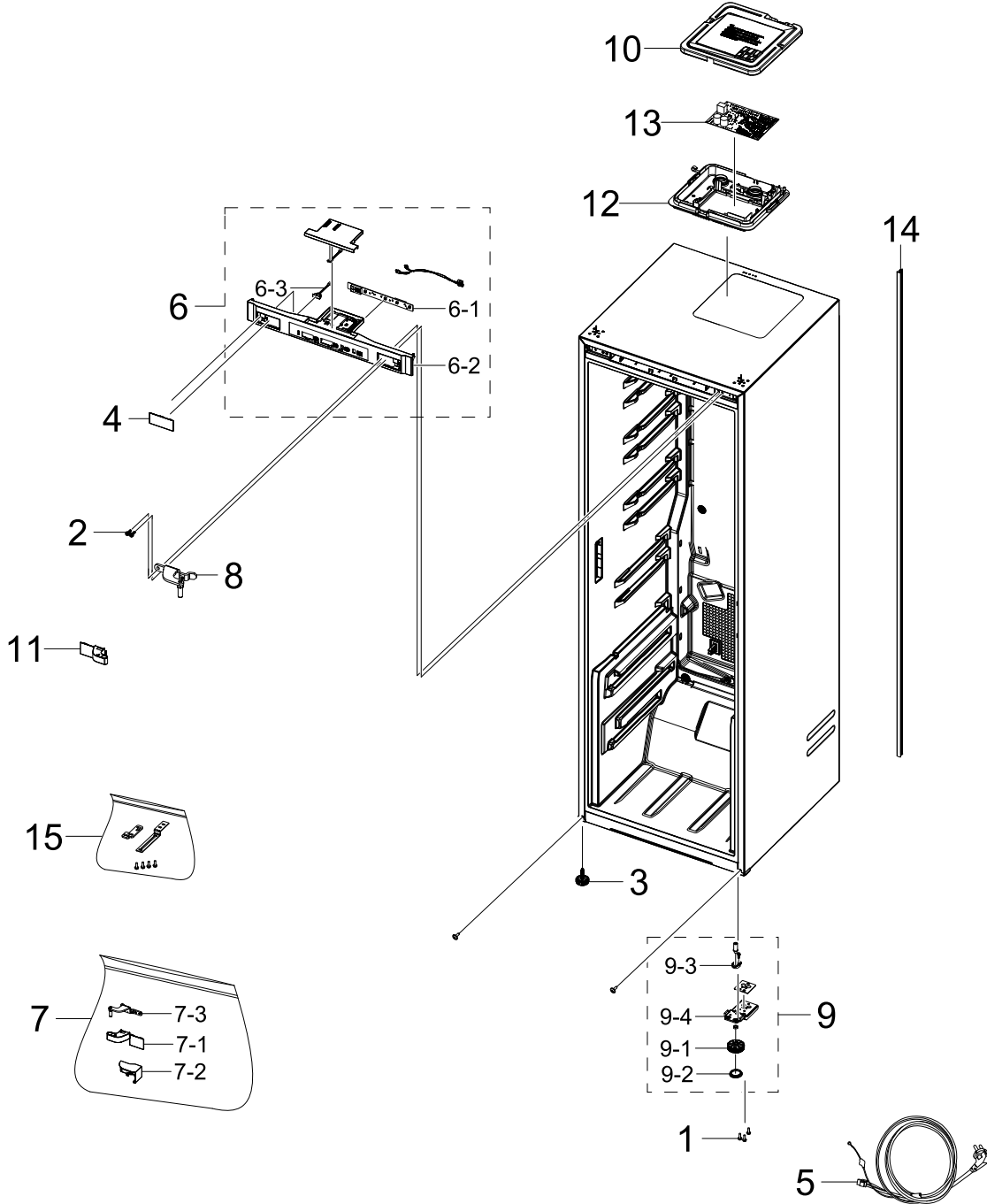
No.	Lvl.	Loc.	Material Code	Description & Specification	SNA	Qty.
1	2	A0270	DA67-30266K	CAP SCREW; A-TOP,PP,T1.5,HB,BJ750,COOL WH	SA	1
2	2	G0239	DA97-23195B	ASSY COVER MULTI-REF; RR7000 SEPM,METAL C	SA	1
2-1	3	G0239	DA97-23419A	ASSY COVER MULTI-REF; RR7000M,PP,COOL WHI	SNA	1
2-1-1	4	A1018	DA32-00070C	SENSOR TEMP; SC41200-021A,L250,13.2kohm,2	SA	1
2-1-2	4		DA63-07761A	GROMMET FIXER; RF-H920G,RUBBER,BLACK	SA	1
3	2	Z1177	DA97-23197A	ASSY COVER EVAP-REF; RR7000 SEPM,COOL WHI	SA	1
3-1	3		DA31-00334D	MOTOR BLDC FAN;12035GE-12M-YT,1775±7%,12	SA	1
3-2	3		DA61-15272A	CASE MOTOR-FRE; RR7000 SEPM,ABS,T2,BLACK,	SA	1
3-3	3		DA61-11356B	GUIDE AIR-REF; RR7000M,ABS,-,HB,CNTK A-20	SA	1
4	2	G0090	DA41-00519R	ASSY LAMP LED; 3ea,CEM-1,65*10*1.6T,WHITE	SA	3
5	2	A0280	DA63-11613A	COVER LAMP; RR7000,SBC,T2,HB,NATURAL,-,KR	SA	3
6	2	M0300	DA97-17508F	ASSY CASE VEG-LOW; RR7000,Hot Stamping	SA	1
6-1	3		DA97-17817E	ASSY COVER VEG-LOW; RR7000,Printing, Hot	SA	1
7	2		DA97-17509H	ASSY CASE VEG-UP; RR7000,Hot Stamping	SA	1
7-1	3		DA97-17816G	ASSY COVER VEG-UP; RR7000,Printing, Hot S	SA	1
8	2		DA97-17522D	ASSY SHELF-REF LOW; RR7000M,SEPM SPONGE S	SA	1
9	2		DA97-17680B	ASSY SHELF VEG-LOW; RR7000M,KNOB OPTION	SA	1
10	2	A0186	DA97-17521D	ASSY SHELF-REF; RR7000M,SEPM SPONGE SPEC,	SA	1
11	2		DA97-17684D	ASSY SHELF FOLDER-REF; RR7000M,SILVER, TA	SA	1
12	2	A1130	DA97-17517G	ASSY SHELF-UP; RR7000M,SEPM SPONGE SPEC,	SA	2
13	2	A1130	DA97-17517F	ASSY SHELF-UP; RR7000M,SEPM SPONGE SPEC,	SA	1
13-1	3		DA97-21502A	ASSY RAIL; RR7000M,ASSY RAIL TRAY	SA	1
13-1-1	4		DA61-11352A	RAIL TRAY; RR7000M,GPPS,TP BLUE,-,147F	SA	1
13-1-2	4		DA63-07113A	GROMMET-COVER SIDE; HM12,Si	SA	1

No.	Lvl.	Loc.	Material Code	Description & Specification	SNA	Qty.
13-1-3	4		DA63-40305A	GROMMET-RAIL; CHILLED,PA6,WHITE,-,7331F	SA	4
14	2		DA67-05477A	RACK WINE; RR7000,-,MSWR70,-,W488.5,L296,	SA	1
15	2		DA97-23449A	ASSY TRAY SUB; RR7000M	SNA	1
15-1	3		DA63-08635B	TRAY-UP; RR7000M,GPPS,-,-,TP BLUE,-,147F	SNA	1
15-2	3	A0974	DA63-08634B	TRAY-REF; RR7000M,GPPS,-,-,TP BLUE,-,147F	SNA	1

2. CABINET

CABINET

Exploded View



Parts List

No.	Lvl.	Loc.	Material Code	Description & Specification	SNA	Qty.
1	2	A0564	6011-008075	BOLT-HEX; M5(P0.8),L20,ZPC(WHT),HWH,+,SWR	SA	3
2	2	A0564	6011-001546	BOLT-HEX; M5(P0.8),L16,ZPC(WHT),HWH,+,SWR	SA	2
3	2	Z1128	DA61-07546B	LEG-FRONT; GRAND CRU,PP,BLACK,-,P-002HB,R	SA	1
4	2		DA67-04890A	CAP CONTROL-FRONT; B-PJT RR7000M,ABS,T1.5	SA	1
5	2	A0273	3903-001015	POWER CORD-AT; H05VV-F 3x0.75mm2,BLK,EU3F	SA	1
6	2	A0904	DA97-23165E	ASSY COVER CONTROL-FRONT; RR7000(B),INOX	SA	1
6-1	3		DA92-00918B	ASSY MODULE; 7-SEG,MATRIX,RR7000M,FRIDGE,	SA	1
6-2	3		DA63-11645A	COVER CONTROL-FRONT; RR7000 B,ABS,-,HB,IN	SA	1
6-3	3		DA34-00043J	SWITCH REED; UL1007 AWG 22,50mm	SA	1
7	2		DA91-04724P	ASSY INSTALL-REVERSIBLE KIT; RR7000(B),SE	SNA	1
7-1	3		DA63-11618B	COVER WIRE-HINGE LEFT; RR7000,ABS,-,HB,IN	SA	1
7-2	3		DA63-09628C	COVER DOOR-RIGHT; RR7000M,ABS,T1.5,-,DARK	SA	1
7-3	3		DA97-20475A	ASSY HINGE-UP LEFT; RR7000(B),T4	SA	1
8	2		DA97-20476A	ASSY HINGE-UP RIGHT; RR7000(B),T4	SA	1
9	2		DA97-20472C	ASSY HINGE-LOW RIGHT; RR7000B,T4,Open Ang	SA	1
9-1	3	A0577	DA61-07280A	FOOT-FRONT; SUPER STAR,RT7000K,PP,BLACK,(SA	1
9-2	3		DA63-06285A	COVER-FOOT; SUPER STAR,RT7000K,PP,T2.5,-,	SA	1
9-3	3	M0266	DA66-00401A	CAM-RISER; SAPPHIRE-PJT,PA66,BLACK,KN3311	SNA	1
9-4	3	A0247	DA61-13666B	HINGE-LOW; RR7000B,PO-SPHC,T4,-,-,-,Ope	SA	1
10	2		DA97-21372B	ASSY COVER PBA-MAIN; RR7000M,GI-SGCC,T0.4	SA	1
11	2		DA63-11619A	COVER WIRE-HINGE RIGHT; RR7000,ABS,-,HB,I	SA	1
12	2		DA97-21247A	ASSY CASE PBA; RB7300T,T2.3,INOX GRAY,PP,	SNA	1
13	1		DA94-06511J	ASSY PCB EEPROM; 0x0B,DA92-01296P,D602,D6	SA	1

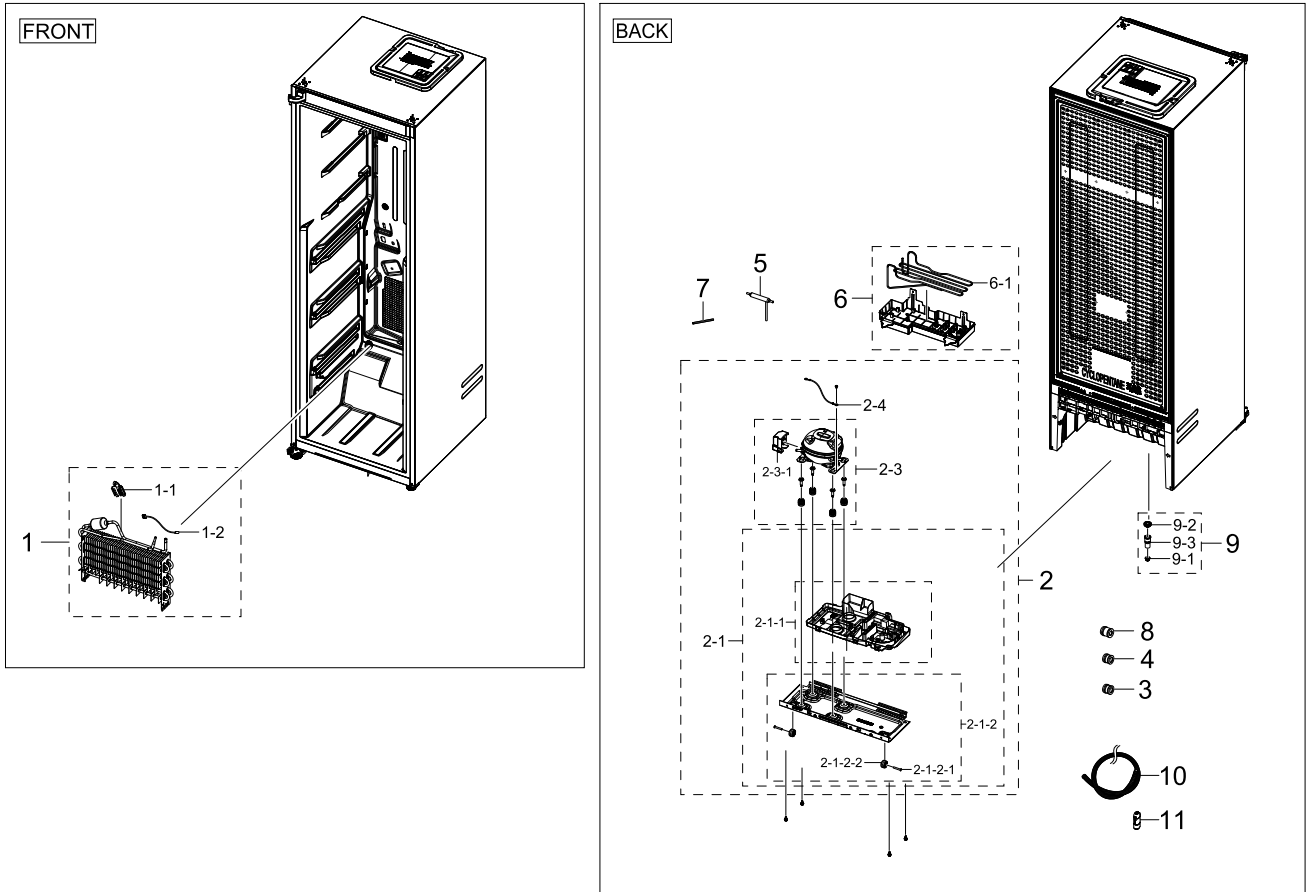
Exploded Views and Parts List

No.	Lvl.	Loc.	Material Code	Description & Specification	SNA	Qty.
14	2		DA64-06034A	TRIM; Bespoke Pair Install,ABS,HG-0760GP,	SA	1
15	2		DA91-05360A	ASSY INSTALL-PAIR KIT; BESOPKE,7mm+15mm,N	SA	1

3. CYCLE

CYCLE

Exploded View



Parts List

No.	Lvl.	Loc.	Material Code	Description & Specification	SNA	Qty.
1	2	A0184	DA96-01212A	ASSY EVAP-REF; RR7000M,FIN TUBE,Alumite	SA	1
1-1	3	T0066	DA61-00603A	FIXER SENSOR; All model,PP,T2,BLACK,-,TYP	SNA	1
1-2	3	A1018	DA32-00070G	SENSOR TEMP; SC41198-021A, PVC TUBE 200mm	SA	1
2	2		DA97-23328B	ASSY COMP N CONDENSING-COND MODULE; RR700	SNA	1
2-1	3		DA97-23327A	ASSY CHASSIS-SUB; RR7000M SEPM,REF, NO C-	SNA	1
2-1-1	4		DA97-21381A	ASSY TRAY DRAIN WATER-SUB; RB7300T	SA	1
2-1-2	4	A0526	DA97-23291A	ASSY CHASSIS COMP; RR7000M,GI-SGCC,T0.8	SA	1
2-1-2-1	5	A0861	DA60-90146A	PIN-CASTER; SR-289-429,MSWR10,L38	SNA	2

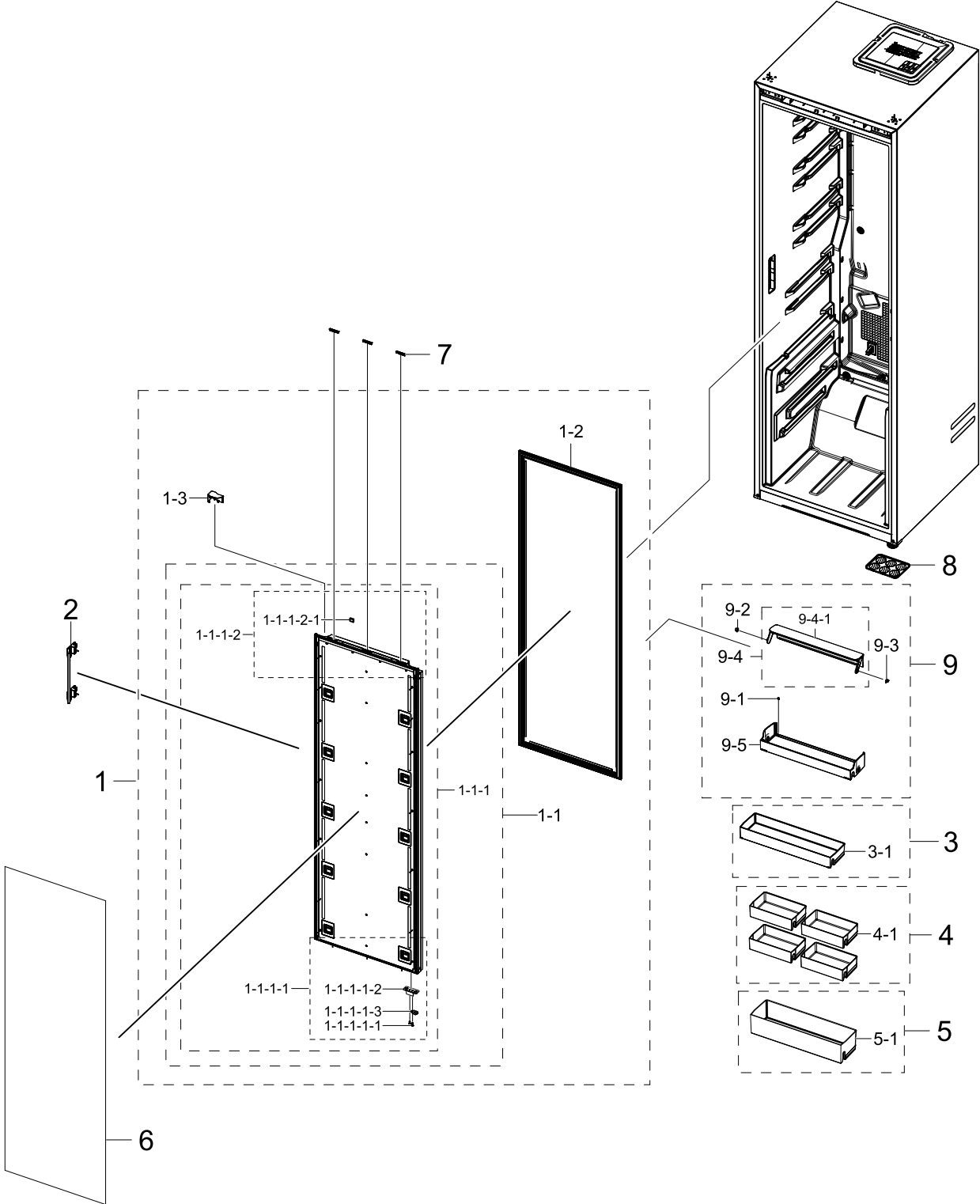
Exploded Views and Parts List

No.	Lvl.	Loc.	Material Code	Description & Specification	SNA	Qty.
2-1-2-2	5	A0527	DA61-06202A	CASTER-REAR; GRAND-CRU,PP,NATURAL	SA	2
2-3	3		NN35J9602APTT5	CMP,COMP,REFRIGERATOR,R-600A; CMP,COMP,REFRIGERATOR,R-600A		1
2-3-1	4	Z1032	DA63-09845A	COVER RELAY; RB7300T,MPPE,T2,V-0,BLACK,N3	SA	1
2-4	3	A0562	DA39-20389A	ASSY WIRE HARNESS-EARTH; EARTH,ALL,FREE V	SA	1
3	2		DA60-00281A	FITTING LOCK SLEEVE; SUM23,ID5.02,11SMnPb	SA	1
4	2		DA60-00280A	FITTING-LOKRING 33; SUM23,ID3/16,33, 11SM	SA	1
5	2	A0669	DA62-04309C	DRYER; C1220T-H,L118,SINGLE MOUTH,For Cap	SA	1
6	2	A0529	DA97-18932C	ASSY TRAY DRAIN WATER; RR7000M,SEPM Plant	SA	1
6-1	3		DA62-05135C	PIPE IMMERRING; RR7000M,TSW,OD4.76,T0.7,-	SNA	1
7	2	A0523	DA73-10190U	PIPE-CONNECT DISC,B; ALL,C1220T,Cu,OD6.35	SA	1
8	2		DA60-00279A	FITTING LOCK RING; SUM23,-,SILVER,-,-,16,	SA	1
9	2		DA97-18856A	ASSY CAP DRAIN; RQ9500M	SA	1
9-1	3	A0336	DA61-05021A	FIXER-DRAIN; HAEMIL,PP,T0.6,CARMEN WINE,B	SA	1
9-2	3		DA63-02761A	GROMMET-DRAIN; RS18RK,NBR,BLACK	SA	1
9-3	3	A0492	DA67-01301A	CAP-DRAIN; AW4,HIPS,HB,576H,NATURAL	SA	1
10	2	G0415	DA67-04495B	HOSE DRAIN; RR7000M,HDPE,NATURAL,-,YR5100	SA	1
11	2		DA63-08943A	GROMMET; BRR9000M,NBR,CAP GROMMET	SA	1

4. ASSY DOOR

ASSY DOOR

Exploded View



Parts List

No.	Lvl.	Loc.	Material Code	Description & Specification	SNA	Qty.
1	1	A0056	DA90-11728Q	ASSY DOOR REF; RR7000M,SEPM,B-PJT,Interna	SNA	1
1-1	2	A0052	DA94-06551A	ASSY DOOR FOAM REF; RR7000 SEPM,Beskope	SA	1
1-1-1	3		DA97-23500A	ASSY PLATE DOOR-REF; RR7000,CUSTOM PANEL,	SNA	1
1-1-1-1	4	A0048	DA97-23360A	ASSY CAP DOOR-REF LOW; RR7000,ASSY, BLACK	SNA	1
1-1-1-1-1	5	G0412	6002-000613	SCREW-TAPPING; TH,+,-,2,M5,L16,ZPC(WHT),S	SNA	2
1-1-1-1-2	5	A0640	DA61-11383A	STOPPER DOOR; RR7000M,PO-SPHC,T3,-,-,T3	SA	1
1-1-1-1-3	5	M0389	DA66-00344A	CAM-HINGE RISER LOW; USP05(ATOP,ET),PA66,	SC	1
1-1-1-2	4		DA97-20466C	ASSY CAP DOOR-UP; RR7000M,ASSY, DARK GRAY	SNA	1
1-1-1-2-1	5	A0534	DA61-03769A	MAGNET-A; HERMES,FERRITE,5x7x18,1600Gauss	SNA	1
1-2	2		DA97-23090E	ASSY GASKET; RR7000,REF, DARK GRAY, BeSpo	SA	1
1-3	2		DA63-09627B	COVER DOOR-LEFT; RR7000M,ABS,T1.5,-,DARK	SA	1
2	2		DA98-02929B	ASSY HANDLE-KIT; RR5000R(B)	SA	1
3	2		DA97-17682E	ASSY GUARD-REF UP; RR7000M,NO WRAP VINYL,	SA	1
3-1	3	M0447	DA63-08678B	GUARD-REF UP; RR7000,GPPS,T3,TP BLUE,-,HB	SA	1
4	2		DA97-15480F	ASSY GUARD VARIETY; RR7000M,NO WRAP VINYL	SNA	4
4-1	3	A0153	DA63-08038A	GUARD VARIETY; RB7000,GPPS,T3,TP BLUE	SA	4
5	2	A0167	DA97-15481F	ASSY GUARD BOTTLE; RR7000M,NO WRAP VINYL,	SA	1
5-1	3	A0151	DA63-08039D	GUARD BOTTLE; RR7000,GPPS,T3,TP BLUE,-,HB	SA	1
6	2		DA99-04529C	ASSY ACCESSORY-CUSTOM PANEL; RR7000,B-PJT	SA	1
7	2		DA63-09686A	COVER CAP DOOR; ABS,T1.5,DARK GRAY,RM-076	SA	3
8	2	A0656	DA63-07346A	TRAY EGG; 3050,GPPS,-,HB,TP BLUE,-,HH104,	SA	1
9	2	A0636	DA97-15479G	ASSY GUARD DAIRY; RR7000M,NO WRAP VINYL,	SA	1
9-1	3		DA63-07538A	GROMMET-A; MOUTON12,Si,COOL WHITE,NAME TA	SA	2

No.	Lvl.	Loc.	Material Code	Description & Specification	SNA	Qty.
9-2	3		DA67-02920A	CAP-HINGE DAIRY R; HERMES,POM,K300,NATURA	SA	1
9-3	3		DA67-02921A	CAP-HINGE DAIRY L; HERMES,POM,K300,NATURA	SA	1
9-4	3	A0636	DA97-15726C	ASSY GUARD DAIRY; RR7000,HOT STAMPING	SA	1
9-4-1	4		DA63-08045D	COVER DAIRY; RR7000,GPPS,T3,HB,TP BLUE,-,	SA	1
9-5	3	A0155	DA63-08044C	GUARD-DAIRY; RR7000,GPPS,T3,TP BLUE,-,HB,	SA	1