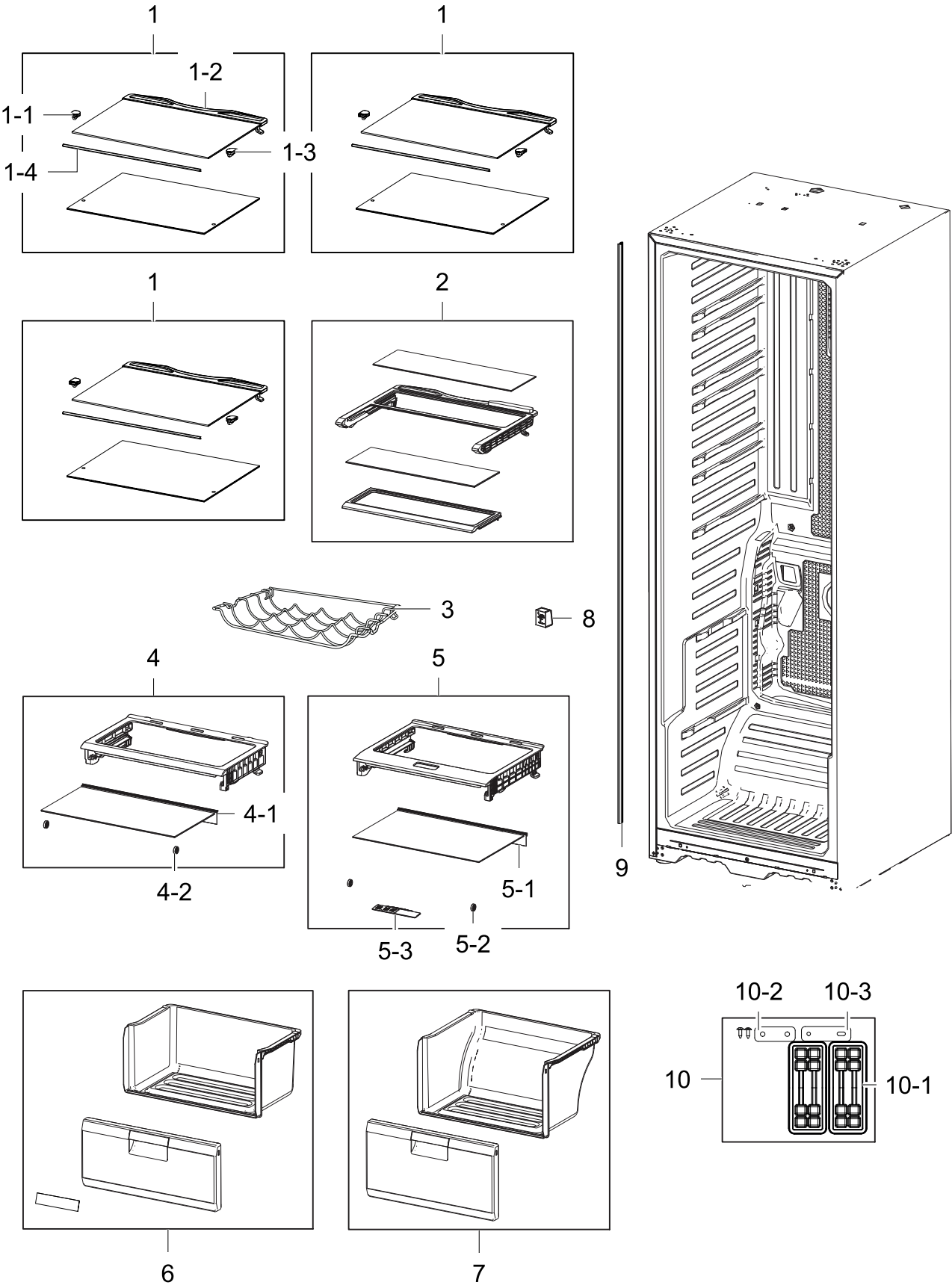


# 1. Fridge

## Exploded View

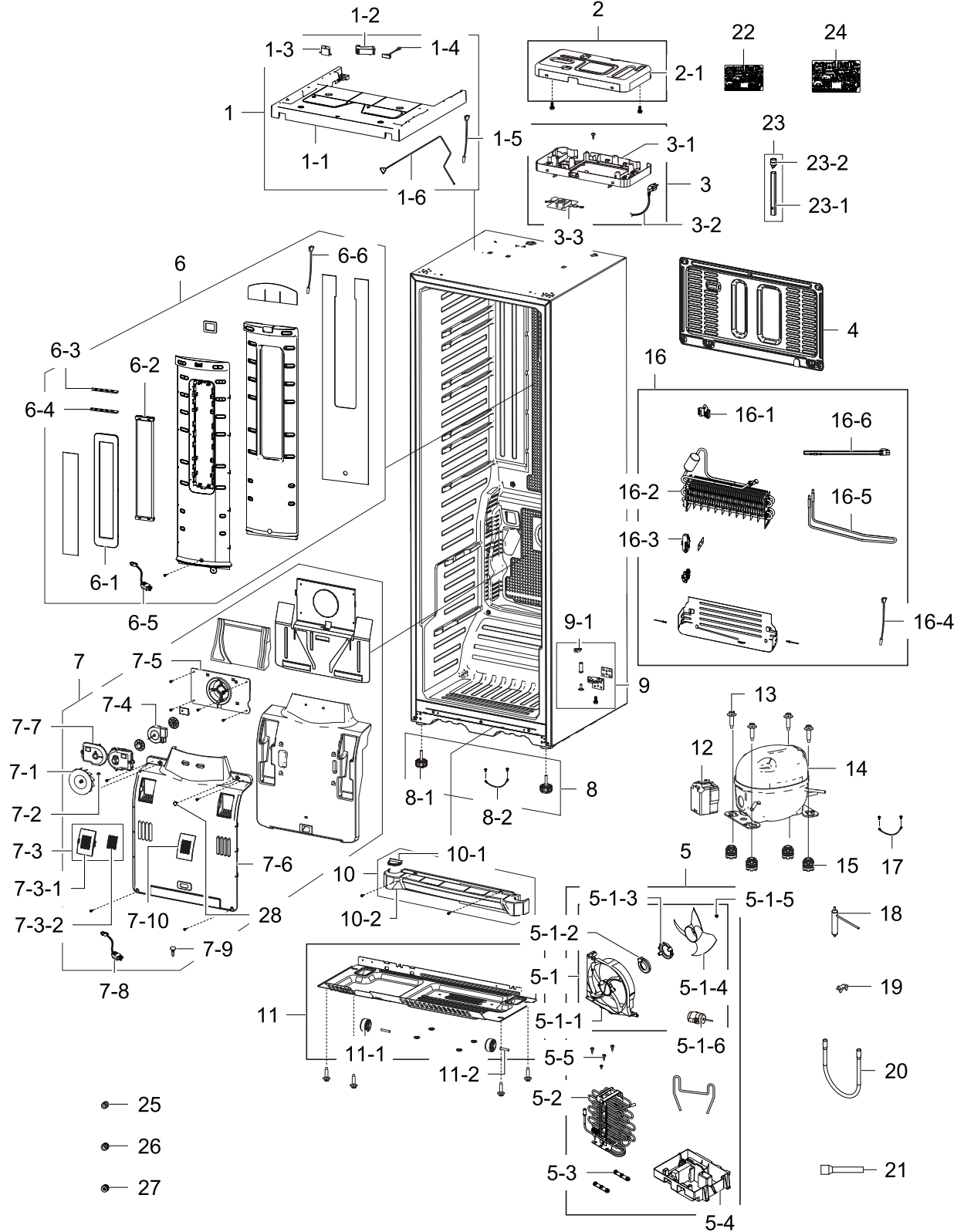


## Parts List

No.	Lvl.	Loc.	Material Code	Description & Specification	SNA	Qty.
1	2	RI037	DA97-04091G	ASSY SHELF REF; TWIN-11	SNA	3
1-1	3	RI558	DA61-03116A	STOPPER-SHELF L; CORE-PJT,PP,-,-,-,SC-027	SA	3
1-2	3	RI650	DA67-01445A	SHELF-REF; CORE(PREMIUM),ABS+GLASS,-,-,-,	SA	3
1-3	3	RI559	DA61-03117A	STOPPER-SHELF R; CORE-PJT,PP,-,-,-,SC-027	SA	3
1-4	3	RI079	DA64-03897C	TRIM-SHELF REF; TWIN 11,ABS,L476,COOL WHI	SA	3
2	2	RI492	DA97-07460A	ASSY SHELF FOLDER; TWIN-PJT,-	SA	1
3	2	RI160	DA75-00285A	RACK-WINE; TWIN12,STS204,OD4.5,488.5,295.	SA	1
4	2	RI041	DA97-07454B	ASSY SHELF REF-UPP; TWIN-PJT,SOURCING GLA	SA	1
4-1	3	RE046	DA64-02885A	TRIM-PLATE ABSORBER; TWIN-PJT,ABS+PVC,P-1	SA	1
4-2	3		DA66-00690A	ROLLER-SHELF; TWIN,POM,22,NTR	SA	2
5	2	RI039	DA97-07455C	ASSY SHELF REF-LOW; TWIN-PJT,SOURCING GLA	SA	1
5-1	3	RE046	DA64-02885A	TRIM-PLATE ABSORBER; TWIN-PJT,ABS+PVC,P-1	SA	1
5-2	3		DA66-00690A	ROLLER-SHELF; TWIN,POM,22,NTR	SA	2
5-3	3	RI262	DA64-02860A	KNOB-HUMIDITY; TWIN,ABS,T2.0,W155.9 D36.0	SA	1
6	2	RI002	DA97-07399D	ASSY CASE-VEG UPP; TWIN-PJT,Premium	SA	1
7	2	RI001	DA97-07400C	ASSY CASE-VEG LOW; TWIN-PJT,PC-SHEET,PREM	SA	1
8	2	RI222	DA63-02902B	COVER-FIXER HOUSING V; NEXT-PJT,GALVA,T0.	SA	1
9	2	RO341	DA61-05433S	FIXER-JOINING STRIP; TWIN,ABS,CREAMY STS(	SA	1
10	2	RO336	DA97-07991A	ASSY INS-FIXER; TWIN-PJT	SA	1
10-1	3	RO337	DA61-05413A	FIXER; TWIN,NBR,T3.0,NTR	SA	2
10-2	3	RO338	DA97-07990A	ASSY-FIXER LOW; TWIN-PJT	SA	1
10-3	3	RO340	DA61-05611A	FIXER-BACK; TWIN-PJT,SGCC1,NTR	SA	1

# 2. Cabinet

## Exploded View



**Parts List**

No.	Lvl.	Loc.	Material Code	Description & Specification	SNA	Qty.
1	2	RO284	DA97-11921E	ASSY TOP-TABLE; TWIN-PJT,ASSY,Creamy Sts	SA	1
1-1	3	RO275	DA64-04001E	TOP TABLE-REAR; TWIN-PJT,ABS,Creamy Sts(S	SA	1
1-2	3	RO454	DA63-04855E	COVER-WIRE HINGE L; TWIN-PJT,PP,T1.8,-,-,	SA	1
1-3	3	RO184	DA67-02269E	CAP-TOP TABLE; TWIN,ABS,CREAMY STS,SC-070	SA	1
1-4	3	RY459	DA34-00043C	SWITCH REED-ASS'Y; 200VDC,1.5A,-	SA	1
1-5	3	RR347	DA32-10109X	SENSOR TEMP; PX-41C,502AT-2,A-TOP,-,5V,-,	SC	1
1-6	3	RO200	DA96-00285P	ASSY W/HARNESS-CABI; TWIN-INVERTER,REF BA	SA	1
2	2	RD067	DA97-12592A	ASSY COVER-PCB PANEL; TWIN-PJT,ASSY	SA	1
2-1	3	RO286	DA63-03020B	COVER PCB-PANEL; CORE-PJT,SBHG1,T0.5,-,-,	SA	1
3	2	RO270	DA97-08449G	ASSY CASE-PBA MAIN; TWIN,ASSY,Fridge(XSA)	SA	1
3-1	3	RO285	DA61-05371B	CASE-PCB PANEL; TWIN,ABS,NATURAL,VH-0815,	SA	1
3-2	3	RK076	DA39-10115D	CBF-POWER CORD; UCP-2,250V,10/16A,L2100,-	SA	1
3-3	3	RH083	DA27-00032A	COIL FILTER-EMI; 400L,8.0mH,60*82mm,BOX,S	SA	1
4	2	RH001	DA97-07461C	ASSY COVER COMP; TWIN-PJT,ASSY	SA	1
5	2	RH003	DA97-12901A	ASSY TRAY DRAIN WATER; TWIN12,C160	SA	1
5-1	3	RO132	DA97-12842A	ASSY SUPPORT-CIRCUIT MOTOR; HM12,160mm FA	SA	1
5-1-1	4	RF412	DA61-08427A	SUPPORT-CIRCUIT MOTOR; HM12,ABS,CNTK A-20	SC	1
5-1-2	4	RI086	DA63-07065A	GROMMET-MOTOR; HM12,NBR,BLACK	SA	1
5-1-3	4	RH039	DA61-08428A	BRACKET-CIRCUIT MOTOR; HM12,ABS,GRAY,ABS_	SC	1
5-1-4	4	RG062	DA31-00320A	FAN; HM12,ABS+GLASSFIBER,GR-4010/NTR	SC	1
5-1-5	4	RR053	DA61-20128A	SPRING ETC-FAN; STS304,PI8.8,ID7.8,OD9.8,	SA	1
5-1-6	4		DA31-00305C	MOTOR BLDC-CIRCUIT; DRCP8020LA,1120+-6%,1	SC	1
5-2	3		DA97-12865A	ASSY PIPE-CONDENSER; TWIN12,SPIRAL-AL	SA	1
5-3	3	RH022	DA63-40128A	GROMMET-SUB COND; -,NBR,-,-,-,-,-,-,DARK-	SA	2
5-4	3	RO361	DA63-07138A	TRAY-DRAIN WATER; TWIN12,PP,NTR,PP-S	SA	1
5-5	3	RR022	6009-001252	SCREW-SPECIAL; PH,+,-,M4.0,L20(12),ZPC(WH	SA	3
6	2	RG173	DA97-07475D	ASSY COVER MULTI-REF LED; TWIN_35, LED,PP	SA	1
6-1	3	RI499	DA67-02221A	CAP-LAMP LED REF; TWIN-PJT,PP,-,-,-,NTR,B	SA	1
6-2	3	RF515	DA63-04854A	COVER-LAMP LED; TWIN-PJT,GPPS,-,-,-,-,-,-,-	SA	1
6-3	3	RK390	DA41-00519F	PBA-LED LAMP; 12V,65*10*1.6T,3EA,100mm,T	SA	1

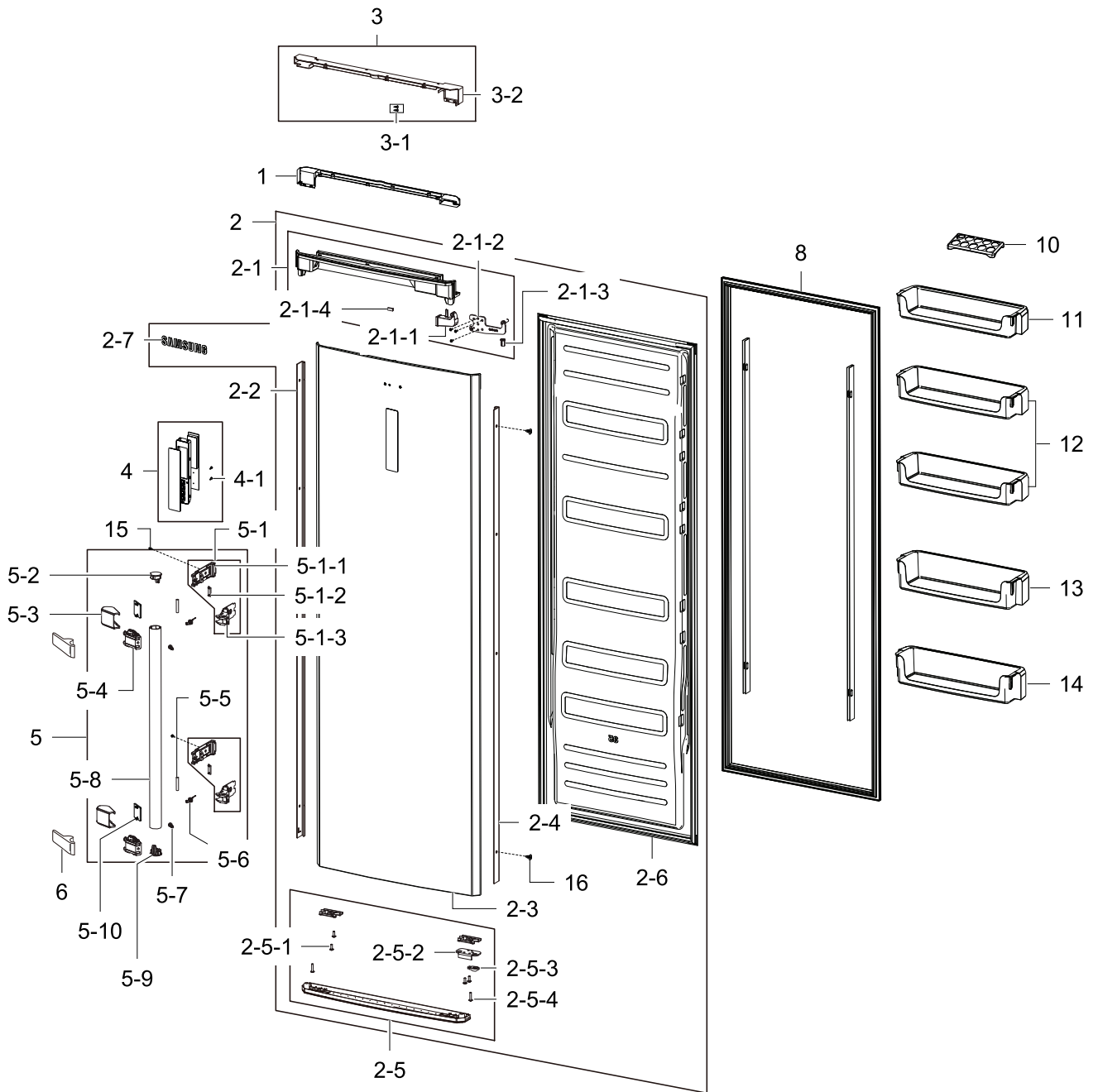
No.	Lvl.	Loc.	Material Code	Description & Specification	SNA	Qty.
6-4	3	RK391	DA41-00519G	PBA-LED LAMP; 12V,65*10*1.6T,TWIN	SA	1
6-5	3	RR870	DA96-00424L	ASSY W/HARNES-LED LAMP; TWIN-PJT,4CHIP	SA	1
6-6	3	RF089	DA32-00006L	SENSOR TEMP-DEF SENSOR; PX41C,TD-PJT,TGV2	SC	1
7	2	RI008	DA97-07385E	ASSY COVER EVAP-REF; TWIN-PJT,BLDC,220V~2	SA	1
7-1	3	RK183	DA31-00123A	FAN-BACKWARD; USP 05,ABS,HP0760/2.0mmAq/0	SC	1
7-2	3	RR053	DA61-20128A	SPRING ETC-FAN; STS304,PI8.8,ID7.8,OD9.8,	SA	1
7-3	3	RI393	DA97-05269A	ASSY COVER-PUREFIER; NEXT 07,PP,-,-,-,-,-	SA	1
7-3-1	4	RI500	DA63-02707A	COVER-PURIFIER; NEXT,PP,-,-,-,-,-,SC-0274	SA	1
7-3-2	4	RG022	DA02-90106R	CATALYST-LTC; ALL,T5,W40,L40	SA	1
7-4	3	RF431	DA31-00146E	MOTOR FAN-BLDC; DREP5020LB,0.267,3.2,2520	SA	1
7-5	3	RY172	DA61-00417A	CASE MOTOR; A-TOP,ABS,-,-,-,NTR,SBS	SA	1
7-6	3	RG175	DA63-04847A	COVER-EVAP REF; TWIN-PJT,PP,-,-,-,-,-,COO	SA	1
7-7	3	RF455	DA63-01809B	COVER MOTOR-BLDC; AT,PP,NTR,CNTK-P-100,PP	SA	1
7-8	3	RY710	DA39-00060A	WIRE HARNESS-MOTOR; 35151-0410,HM9410001,	SA	1
7-9	3	RR066	DA63-40167A	GROMMET-COVER CHIL; SILICON,L16,WHITE	SA	1
7-10	3	RI500	DA63-02707A	COVER-PURIFIER; NEXT,PP,-,-,-,-,-,SC-0274	SA	1
8	2	RU423	DA97-07466C	ASSY CABINET-BOTTOM; TWIN-PJT,ASSY	SNA	1
8-1	3	RO100	DA61-00805F	FOOT-FRONT; REF-ALL,PP+MSWR10,BLACK,PP_S	SA	2
8-2	3	RK925	DA39-00429A	WIRE HARNESS-EARTH; YellowGreen,ST710489-	SC	1
9	2	RO038	DA97-07375A	ASSY HINGE LOW-R; TWIN-PJT,RIGHT	SA	1
9-1	3	RR981	DA66-00401A	CAM-RISER; SAPPHIRE-PJT,NY-66,BLACK,2110R	SA	1
10	2	RO003	DA97-07462E	ASSY COVER LEG FRONT; TWIN-PJT,PP,CREAMY	SA	1
10-1	3	RO261	DA67-02216E	CAP-HINGE LOW; TWIN-PJT,PP,CREAMY STS(SC-	SA	1
10-2	3	RO287	DA63-04830E	COVER LEG-FRONT; TWIN-PJT,PP,CREAMY STS(S	SA	1
11	2	RO002	DA97-07465B	ASSY CHASSIS-COMP; TWIN12-PJT,SBHG1,T1.0,	SA	1
11-1	3	RR242	DA61-40126B	CASTER-REAR; REF-ALL,PP,NATURAL	SC	2
11-2	3	RH064	DA60-90146A	PIN-CASTER; SR-289-429,MSWR10,OD6.0,L38,Z	SA	2
12	2		DA63-06122A	COVER-RELAY; MSV,N300X,T2.1,BLACK	SA	1
13	2		6011-004061	BOLT-HEX; M6,L42.6,SWCH10A	SA	4

Exploded Views and Parts List

No.	Lvl.	Loc.	Material Code	Description & Specification	SNA	Qty.
14	2		MSV488AL1R/E01	COMPRESSOR,BLDC IPM,8.82CC,115/220V,STAI; COMPRESSOR,BLDC IPM,8.82CC,115/220V,STAI	SA	1
15	2	RH732	DA63-02617A	GROMMET COMP; USP05,EPDM,OD27.0,BLACK	SA	4
16	2	RI016	DA96-00569G	ASSY EVAP REF; TWIN-PJT,REF,230V	SA	1
16-1	3	RK215	DA61-00603A	FIXER-SENSOR; n-PJT,PP,-,-,-	SA	1
16-2	3	RI496	DA59-00388A	EVAP REF; TWIN-PJT	SA	1
16-3	3	RU391	DA61-06809A	FIXER-HEATER; TWIN-PJT,PP,NTR	SA	1
16-4	3		DA32-00066B	SENSOR TEMP; -,TWIN,-50~805V,-,-,PBA	SA	1
16-5	3	RF205	DA47-00299A	HEATER-METAL SHEATH REF; TWIN REF,110W,23	SA	1
16-6	3	RR342	DA47-00301F	THERMO FUSE-ASSY; TWIN,250V,10A,109~110	SA	1
17	2	RK934	DA39-20389L	WIRE HARNESS-EARTH; 1,YELLOW/GREEN,ST 710	SC	1
18	2	RH044	DA62-04309C	DRYER; C1220T,6	SA	1
19	2	RO354	DA34-00004B	RELAY PROTECTOR O/L; BK190GL2C,S/T_11.4A,	SA	1
20	2		DA62-02878B	PIPE CONNECT; TWIN-PJT,REF,SWST,NATURAL	SA	1
21	2	RH026	DA73-10190U	PIPE-CONNECT DISC,B; TD-PJT,C1220-T,OD6.3	SA	1
22	1	RY475	DA92-00245F	ASSY PCB MAIN; 230V, 50Hz,7-SEG, BLUE LED	SA	1
23	2	RR859	DA97-06589A	ASSY TUBE-DRAIN; MT-PJT,SOFT-PVC,NBR(BLAC	SA	1
23-1	3	RK899	DA62-01265A	TUBE-PVC; W2-PJT,SF-PVC,T0.7,OD20.2,L206,	SA	1
23-2	3	RO162	DA63-00951C	GROMMET-DRAIN HOSE; V2-PJT,NBR,BLACK	SA	1
24	1	RO326	DA92-00228B	ASSY PCB SUB INVERTER; 12V, 5V,-,LC4-2A,-	SA	1
25	2		DA60-00279A	FITTING-LOKRING 16; GRAND/SAM/HERMES,11SM	SA	2
26	2		DA60-00280A	FITTING-LOKRING 33; GRAND/SAM/HERMES,11SM	SA	1
27	2		DA60-00281A	FITTING-LOKRING 43; GRAND/SAM/HERMES,11SM	SA	1
28	2	RK037	DA67-30266K	CAP-SCREW; A-TOP,PP,SC-02740R,-,-,Cool-wh	SA	2

# 3. Door

## Exploded View



## Parts List

No.	Lvl.	Loc.	Material Code	Description & Specification	SNA	Qty.
1	2	RO259	DA63-05137E	COVER-WIRE DOOR L; TWIN-PJT,ABS,CREAMY ST	SC	1
2	2	RE001	DA91-03849A	ASSY DOOR FOAM REF; TWIN12 RR37,STS430J1L	SA	1
2-1	4		DA97-07378E	ASSY CAP DOOR-UPP; TWIN-PJT,EE,-,-,-,CREA	SNA	1

Exploded Views and Parts List

No.	Lvl.	Loc.	Material Code	Description & Specification	SNA	Qty.
2-1-1	5	RO456	DA63-04849E	COVER-WIRE HINGE R; TWIN-PJT,PP,T1.8,-,-,	SA	1
2-1-2	5	RO040	DA97-07376A	ASSY HINGE UPP; TWIN-PJT,-,-,-,-,-,-	SA	1
2-1-3	6	RR377	DA66-00073C	SHAFT-WASHER, C; RD-PVC,SR-32,35,-,-,-,T1	SA	1
2-1-4	5	RY479	DA61-03769A	MAGNET-A; HERMES,-,5x7x18,-,-,1200Gauss	SA	1
2-2	4		DA61-05353A	REINF-PLATE DOOR L; TWIN-35,25,SHP1,L1550	SNA	1
2-3	4	RD722	DA61-08429A	PLATE-DOOR; TWIN-PJT,STAINLESS-ST5430J1L,	SNA	1
2-4	4		DA61-05352A	REINF-PLATE DOOR R; TWIN-35,25,SHP1,L1550	SNA	1
2-5	4		DA97-07377E	ASSY CAP DOOR-LOW; TWIN-PJT,-,-,-,-,CREAM	SNA	1
2-5-1	5	RR227	6001-000715	SCREW-MACHINE; TH,+,-,M5,L16,ZPC(WHT),SWR	SA	4
2-5-2	5	RE043	DA61-00776A	STOPPER DOOR; ES-PJT,SPCC,T3.0	SA	1
2-5-3	5	RO105	DA66-00344A	CAM-HINGE RISER LOW; USP05(ATOP,ET),NY-66	SC	1
2-5-4	5	RR007	6001-001377	SCREW-MACHINE; TH,+,-,M5,L25,ZPC(WHT),SWR	SA	2
2-6	3		DA64-02849A	PANEL DOOR-REF E; TWIN-35,ABS,T1.2,1629.0	SNA	1
2-7	3	RO716	DA64-04020B	MASCOT; ALL,NI,T0.05,L80	SA	1
3	2	RO271	DA97-08050E	ASSY COVER-WIRE DOOR R; TWIN-PJT,CREAMY S	SA	1
3-1	3	RR983	DA67-00859B	CAP-DOOR HANDLE; CORE,ABS,-,-,-,VERSAILLE	SA	2
3-2	3	RO274	DA63-04851E	COVER-WIRE DOOR R; TWIN-PJT,ABS,-,-,-,-,-	SA	1
4	2	RO707	DA97-11790R	ASSY COVER-CONTROL; TWIN12-PJT,ASS'Y,CREA	SA	1
4-1	3	RR014	6002-000630	SCREW-TAPPING; PH,+,-,NO,2S,M3,L8,ZPC(WHT),	SA	2
5	2	RD210	DA97-11952A	ASSY HANDLE-EASY; TWIN-PJT,ASSY	SA	1
5-1	3	RO262	DA97-07907B	ASSY HANDLE-SUB EASY; TWIN-PJT,VERSAILLES	SA	2
5-1-1	4	RD215	DA61-05174B	SLIDER-HANDLE; TWIN-PJT,POM,VERSAILLES ST	SA	2
5-1-2	4	RO263	DA73-00238B	RUBBER-HANDLE; TWIN-PJT,SILICON,VERSAILLE	SA	2
5-1-3	4	RE473	DA61-05173B	SUPPORT-HANDLE A; TWIN-PJT,PA+ABS,-,VERSA	SA	2
5-2	3	RO531	DA67-03095A	CAP-HANDLE UPP; GRAND CRU,ABS,CREAMY STS,	SA	1
5-3	3	RD212	DA63-06486A	COVER-SUPT HANDLE FRONT; GRAND CRU,ABS,CR	SA	2
5-4	3	RE476	DA61-07572A	SUPPORT-HANDLE B; GRAND CRU,NY-66,VERSAIL	SC	2



No.	Lvl.	Loc.	Material Code	Description & Specification	SNA	Qty.
5-5	3	RD211	DA66-00664A	SHAFT-HANDLE; TWIN-PJT,STS304,L25.6,EASY	SA	2
5-6	3	RD214	DA61-05177A	SPRING ETC-HANDLE; TWIN-PJT,PW1,6.6,5.4,7	SA	2
5-7	3	RR331	6009-001512	SCREW-SPECIAL; BH,+,-,M4,L16,ZPC(WHT),SWR	SA	2
5-8	3	RO391	DA64-04009A	HANDLE BAR; TWIN,AL,L423,INOX(SC-06034T),	SNA	1
5-9	3	RO479	DA67-03096A	CAP-HANDLE LOW; GRAND CRU,ABS,CREAMY STS,	SA	1
5-10	3	RO277	DA63-03196A	COVER-SUPT HANDLE REAR; CORE67,HIPS,-,-,-	SNA	2
6	2	RD213	DA63-04928D	COVER-SLIDER HANDLE; TWIN-PJT,ABS,VERSAIL	SA	2
8	2	RO756	DA97-07366G	ASSY-GASKET DOOR; TWIN-PJT(R35,F25),-,W53	SA	1
10	3	RE355	DA67-40297A	TRAY-EGG; SR-5056,GPPS,T2.5,-,-,-,-	SA	1
11	2	RE365	DA63-04872C	GUARD REF-UPP; TWIN-PJT,GPPS,T2.0,NTR,FIL	SA	1
12	2	RE057	DA63-04875C	GUARD REF-MID; TWIN-PJT,GPPS,T2.0,NTR,FIL	SA	2
13	2	RE343	DA63-04873C	GUARD BOTTLE; TWIN-PJT,GPPS,T2.0,NTR,FILM	SA	1
14	2	RE368	DA63-04874C	GUARD REF-LOW; TWIN-PJT,GPPS,T2.0,NTR,FIL	SA	1
15	2	RR346	DA81-01532A	SCREW-MACHINE; CH,+M5,L12,ZPC2(WHT),SWRC	SA	2
16	2	RR983	DA67-00859B	CAP-DOOR HANDLE; CORE,ABS,-,-,-,VERSAILLE	SA	2