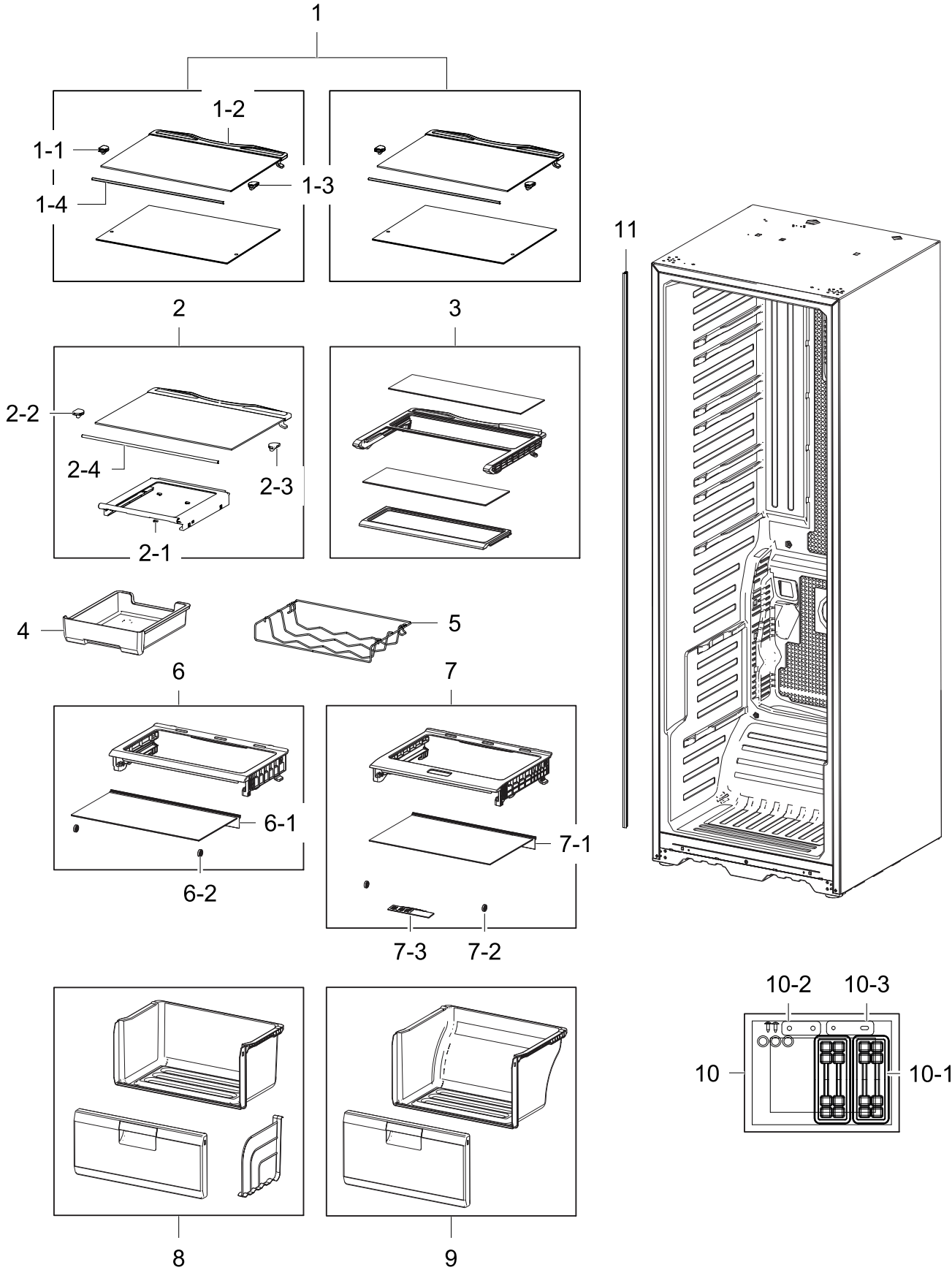


# 1. Fridge

## Exploded View



## Parts List

No.	Lvl.	Loc.	Material Code	Description & Specification	SNA	Qty.
1	2	RI037	DA97-04091G	ASSY SHELF REF; TWIN-11	SA	2
1-1	3	RI558	DA61-03116A	STOPPER-SHELF L; CORE-PJT,PP,-,-,SC-027	SA	1
1-2	3	RI650	DA67-01445A	SHELF-REF; CORE(PREMIUM),ABS+GLASS,-,-,-,	SA	2
1-3	3	RI559	DA61-03117A	STOPPER-SHELF R; CORE-PJT,PP,-,-,SC-027	SA	1
1-4	3	RI079	DA64-03897C	TRIM-SHELF REF; TWIN 11,ABS,L476,COOL WHI	SA	2
2	2	RI493	DA97-07457B	ASSY SHELF-DEIL BIN; TWIN-PJT,PREMIUM,STS	SA	1
2-1	3	RK248	DA63-40305A	GROMMET-RAIL; CHILLED,PA6	SA	4
2-2	3	RI558	DA61-03116A	STOPPER-SHELF L; CORE-PJT,PP,-,-,SC-027	SA	1
2-3	3	RI559	DA61-03117A	STOPPER-SHELF R; CORE-PJT,PP,-,-,SC-027	SA	1
2-4	3	RK888	DA64-01821B	TRIM-SHELF; CORE,STS430,-,T0.4,-,-,PREMIU	SA	1
3	2	RI492	DA97-07460A	ASSY SHELF FOLDER; TWIN-PJT,-	SA	1
4	2	RI494	DA61-05099A	CASE-DELI BIN; TWIN,GPPS,T2.5,NTR,168N,HI	SA	1
5	2	RI160	DA75-00285A	RACK-WINE; TWIN12,STS204,OD4.5,488.5,295.	SA	1
6	2	RI041	DA97-07454B	ASSY SHELF REF-UPP; TWIN-PJT,SOURCING GLA	SA	1
6-1	3	RE046	DA64-02885A	TRIM-PLATE ABSORBER; TWIN-PJT,ABS+PVC,P-1	SA	1
6-2	3		DA66-00690A	ROLLER-SHELF; TWIN,POM,22,NTR	SA	2
7	2	RI039	DA97-07455C	ASSY SHELF REF-LOW; TWIN-PJT,SOURCING GLA	SA	1
7-1	3	RE046	DA64-02885A	TRIM-PLATE ABSORBER; TWIN-PJT,ABS+PVC,P-1	SA	1
7-2	3		DA66-00690A	ROLLER-SHELF; TWIN,POM,22,NTR	SA	2
7-3	3	RI262	DA64-02860A	KNOB-HUMIDITY; TWIN,ABS,T2.0,W155.9 D36.0	SA	1
8	2	RI002	DA97-07399K	ASSY CASE VEG-UP; TWIN12 FACE LIFT	SA	1
9	2	RI001	DA97-07400H	ASSY CASE VEG-LOW; TWIN12 FACE LIFT	SA	1
10	2	RO336	DA97-07991A	ASSY INS-FIXER; TWIN-PJT	SA	1
10-1	3	RO337	DA61-05413A	FIXER; TWIN,EPDM,NATURAL	SA	2
10-2	3	RO338	DA97-07990A	ASSY-FIXER LOW; TWIN-PJT	SA	1
10-3	3	RO340	DA61-05611A	FIXER-BACK; TWIN-PJT,GI-SGCC,NTR	SA	1
11	2	RO341	DA61-05433Y	FIXER-JOINING STRIP; TWIN,ABS+PVC,1716,IN	SA	1



## Parts List

No.	Lvl.	Loc.	Material Code	Description & Specification	SNA	Qty.
1	2	RO284	DA97-11921G	ASSY TOP-TABLE; TWIN,INOX2008(GY0034)	SA	1
1-1	3	RO275	DA64-04001G	TOP TABLE-REAR; TWIN,ABS,INOX GRAY	SA	1
1-2	3	RO454	DA63-04855G	COVER-WIRE HINGE L; TWIN-PJT,PP,HB,BJ550,	SA	1
1-3	3	RO184	DA67-02269G	CAP-TOP TABLE; TWIN,ABS,HB,HG-0760GP,INOX	SA	1
1-4	3	RY001	DA34-00043C	SWITCH REED; 13mm,UL1007 AWG 22,100,HOOK	SA	1
1-5	3	RR347	DA32-10109X	SENSOR TEMP; PX-41C,502AT-2,A-TOP,-,5V,-,	SC	1
1-6	3	RO200	DA96-00285P	ASSY W/HARNESS-CABI; 1-DOOR,12VDC,UL+IEC,	SA	1
2	2	RD067	DA97-12592A	ASSY COVER-PCB PANEL; TWIN-PJT,ASSY	SA	1
2-1	3	RO286	DA63-03020B	COVER PCB-PANEL; CORE-PJT,SBHG1,T0.5,-,-,	SA	1
3	2	RO270	DA97-08449N	ASSY CASE-PBA MAIN; TWIN-PJT,ASSY	SA	1
3-1	3	RO285	DA61-05371B	CASE-PCB PANEL; TWIN,ABS,NATURAL,VH-0815,	SA	1
3-2	3		3903-000808	CBF-POWER CORD; -,-,SWISS,-,-,-,HOUSING t	SA	1
3-3	3	RH083	DA27-00032A	COIL FILTER-EMI; 400L,8.0mH,60*82mm,BOX,S	SA	1
4	2	RH001	DA97-07461C	ASSY COVER COMP; TWIN-PJT,ASSY	SA	1
5	2	RH003	DA97-12901A	ASSY TRAY DRAIN WATER; TWIN12,C160	SA	1
5-1	3	RO132	DA97-12842A	ASSY SUPPORT-CIRCUIT MOTOR; HM12,160mm FA	SA	1
5-1-1	4	RF412	DA61-08427A	SUPPORT-CIRCUIT MOTOR; HM12,ABS,CNTK A-20	SC	1
5-1-2	4	RI086	DA63-07065A	GROMMET-MOTOR; HM12,NBR,BLACK	SA	1
5-1-3	4	RH039	DA61-08428A	BRACKET-CIRCUIT MOTOR; HM12,ABS,GRAY,ABS_	SC	1
5-1-4	4	RG062	DA31-00320A	FAN; HM12,ABS+GLASSFIBER,GR-4010/NTR	SC	1
5-1-5	4	RR053	DA61-20128A	SPRING ETC-FAN; STS304,PI8.8,ID7.8,OD9.8,	SA	1
5-1-6	4		DA31-00305C	MOTOR BLDC; DRCP8020LA,11206%,12V,1.7W,	SC	1
5-2	3		DA97-12865A	ASSY PIPE-CONDENSER; TWIN12,SPIRAL-AL	SA	1
5-3	3	RH022	DA63-40128A	GROMMET-SUB COND; -,NBR,-,-,-,-,-,DARK-	SA	2
5-4	3	RO361	DA63-07138A	TRAY-DRAIN WATER; TWIN12,PP,NTR,PP-S	SA	1
6	2		DA97-14792A	ASSY COVER MULTI-REF; TWIN12_Facelift	SA	1
6-1	3	RF089	DA32-00006L	SENSOR TEMP; PX41C,TD-PJT,TGV2/BALLY2,TWI	SC	1
6-2	3	RG025	DA63-07867A	COVER LAMP-REF; TWIN,PP,-,BJ750	SA	1
6-3	3		DA41-00676B	ASSY LAMP LED; 6ea,FR-4,300*10,WHITE,SMAW	SA	1
6-4	3		DA96-00424S	ASSY W/HARNESS-LED LAMP; ALL,12VDC,ALL,UL	SA	1

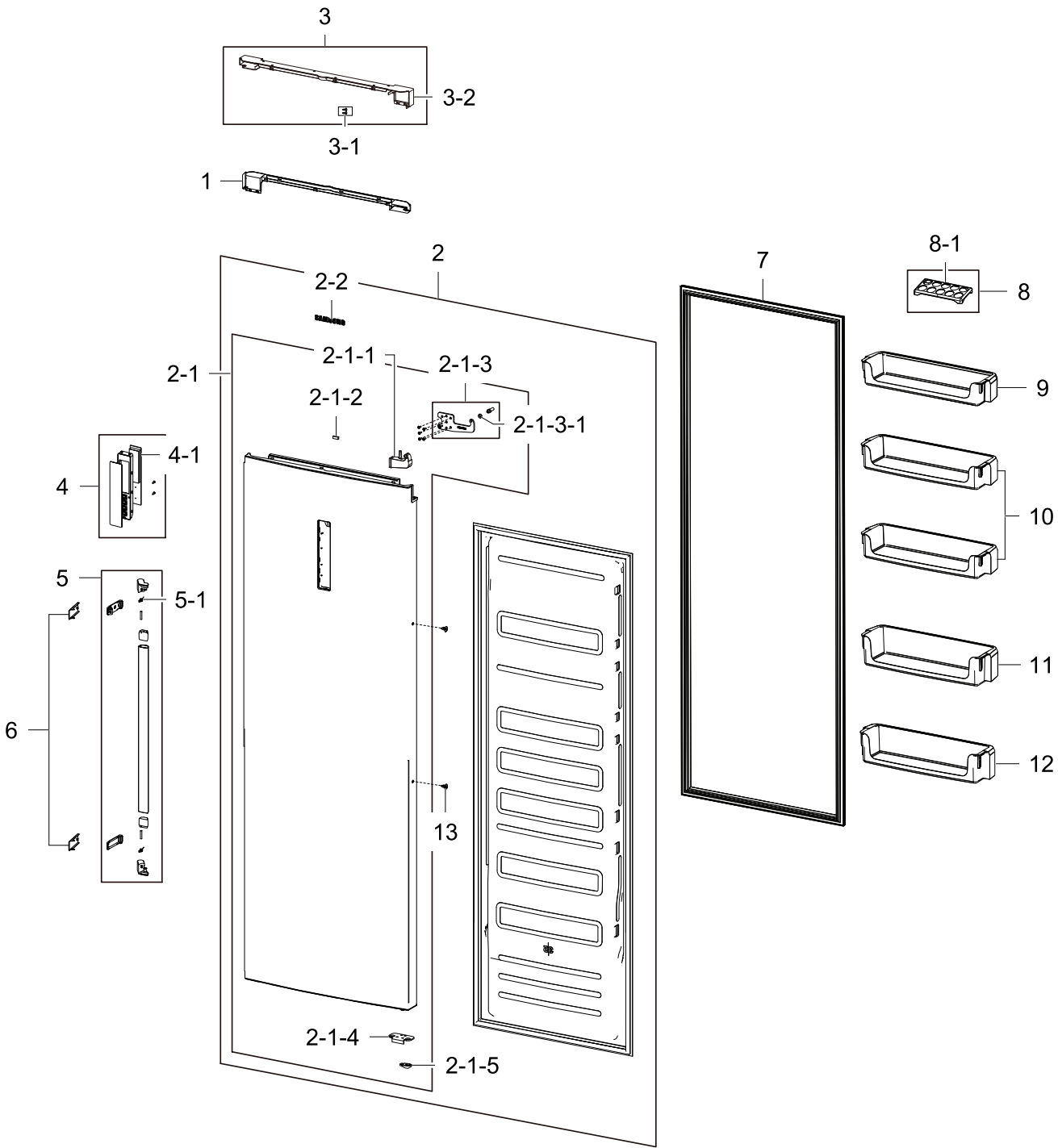
No.	Lvl.	Loc.	Material Code	Description & Specification	SNA	Qty.
7	2	RI008	DA97-07385D	ASSY COVER EVAP-REF; TWIN-PJT,BLDC,220V~2	SA	1
7-1	3	RK183	DA31-00123A	FAN-BACKWARD; USP 05,ABS,HP0760/2.0mmAq/0	SC	1
7-2	3	RR053	DA61-20128A	SPRING ETC-FAN; STS304,PI8.8,ID7.8,OD9.8,	SA	1
7-3	3	RI500	DA63-02707A	COVER-PURIFIER; NEXT,PP,-,-,-,-,SC-0274	SA	2
7-4	3	RF431	DA31-00146E	MOTOR BLDC FAN; 3.2,2520 RPM,DC 12V,DREP5	SA	1
7-5	3	RY172	DA61-00417A	CASE MOTOR; A-TOP,ABS,-,-,-,NTR,SBS	SA	1
7-6	3	RG175	DA63-04847A	COVER-EVAP REF; TWIN-PJT,PP,-,-,-,-,COO	SA	1
7-7	3	RF455	DA63-01809B	COVER MOTOR-BLDC; AT,PP,NTR,CNTK-P-100,PP	SA	1
7-8	3	RY710	DA39-00060A	ASSY WIRE HARNESS-MOTOR; ALL,12VDC,UL+IEC	SA	1
7-9	3	RR066	DA63-40167A	GROMMET-COVER CHIL; SI,L16,WHITE	SA	1
7-10	3	RO545	DA63-01808A	GROMMET MOTOR; BLDC,NBR,BLACK,H20	SA	1
7-11	3	RO138	DA63-01146A	GROMMET-MOTOR,REAR; A-TOP,NBR,BLACK,BLDC	SA	1
8	3	RO100	DA61-00805F	FOOT-FRONT; REF-ALL,PP+MSWR10,BLACK,PP_S	SA	1
9	3	RK925	DA39-00429A	ASSY WIRE HARNESS-EARTH; ALL,FREE VOLT,UL	SC	1
10	2	RO003	DA97-07462J	ASSY COVER LEG FRONT; TWIN-PJT,ASSY,INOX2	SA	1
10-1	3	RO261	DA67-02216G	CAP-HINGE LOW; TWIN-PJT,PP,INOX2008	SA	1
10-2	3	RO287	DA63-04830G	COVER-LEG FRONT; TWIN,PP,HB,BJ750	SA	1
11	2	RO002	DA97-07465B	ASSY CHASSIS-COMP; TWIN12-PJT,SBHG1,T1.0,	SA	1
11-1	3	RR242	DA61-40126B	CASTER-REAR; REF-ALL,PP,NATURAL	SC	2
11-2	3	RH064	DA60-90146A	PIN-CASTER; SR-289-429,MSWR10,OD6.0,L38,Z	SA	2
12	2		DA62-02878B	PIPE CONNECT; TWIN-PJT,REF,SWST,NATURAL	SA	1
13	2		DA63-06122A	COVER-RELAY; MSV,MPPPO,T2.1,BLACK	SA	1
14	2		DA97-14663A	ASSY HINGE-REF LOW; TWIN-FACE LIFT , REF	SA	1
14-1	3	RO100	DA61-00805F	FOOT-FRONT; REF-ALL,PP+MSWR10,BLACK,PP_S	SA	1
14-2	3	RR981	DA66-00401A	CAM-RISER; SAPPHIRE-PJT,NY-66,BLACK,2110R	SA	1
15	2		6011-004061	BOLT-HEX; M6,L42.6,SWCH10A	SA	4
16	2	RH732	DA63-02617A	GROMMET COMP; USP05,EPDM,OD27.0,BLACK	SA	4
17	2	RI016	DA96-00569L	ASSY EVAP-REF; TWIN-F/L,NO HEATER	SA	1
17-1	3	RK215	DA61-00603A	FIXER-SENSOR; n-PJT,PP,-,-,-	SA	1

Exploded Views and Parts List

No.	Lvl.	Loc.	Material Code	Description & Specification	SNA	Qty.
17-2	3	RI496	DA59-00388A	EVAP REF; TWIN-PJT	SA	1
17-3	3		DA32-00066H	SENSOR TEMP; -,MT12,-50~80??5V,-,-,PBA	SA	1
18	2	RK037	DA67-30266K	CAP-SCREW; A-TOP,PP,SC-02740R,-,-,Cool-wh	SA	2
19	2	RH044	DA62-04309C	DRYER; C1220,114,SINGLE MOUTH,Outlet ID2.	SA	1
20	2	RO354	DA34-00004B	RELAY PROTECTOR O/L; 4TM308RFBYY-82	SC	1
21	2	RK934	DA39-20389L	ASSY WIRE HARNESS-EARTH; ALL,FREE VOLT,UL	SC	1
22	2	RH085	DA62-03415B	PIPE-CONNECT SUCTION; TWIN-PJT,CU,-,C1220	SNA	1
23	2		MSV488AL1R/E01	COMPRESSOR,BLDC IPM,8.82CC,115/220V,STAI; COMPRESSOR,BLDC IPM,8.82CC,115/220V,STAI	SA	1
24	2	RH026	DA73-10190U	PIPE-CONNECT DISC,B; TD-PJT,CU,-,C1220T,O	SA	1
25	2	RZ110	DA97-04049F	ASSY CAP-DRAIN; TD09,ASSY,L219.5	SA	1
25-1	3	RG141	DA61-05021A	FIXER-DRAIN; HAEMIL,PP,CARMEN WINE,HB,BJ7	SA	1
25-2	3	RO161	DA63-02761A	GROMMET-DRAIN; RS18RK,NBR,-,-,-,-,BLK,-	SA	1
25-3	3	RZ111	DA67-01301A	CAP-DRAIN; TD09,HIPS,-,HB,S834S1,COOL WHI	SA	1
26	1	RY475	DA92-00636A	ASSY PCB MAIN; TWIN12 FACE LIFT,148*197,1	SA	1
27	1	RO326	DA92-00228B	ASSY PCB INVERTER; INVERTER,TWIN12,148*98	SA	1
28	2		DA60-00279A	FITTING-LOKRING 16; GRAND/SAM/HERMES,11SM	SA	2
29	2		DA60-00280A	FITTING-LOKRING 33; GRAND/SAM/HERMES,11SM	SA	1
30	2		DA60-00281A	FITTING-LOKRING 43; GRAND/SAM/HERMES,11SM	SA	1

# 3. Door

## Exploded View



**Parts List**

No.	Lvl.	Loc.	Material Code	Description & Specification	SNA	Qty.
1	2	RO259	DA63-05137G	COVER-WIRE DOOR L; TWIN-PJT,ABS,HB,HG-076	SA	1
2	2	RE001	DA91-04194A	ASSY DOOR FOAM-REF; TWIN12 F/L, RR35*, IN	SA	1
2-1	3		DA97-14727A	ASSY PLATE DOOR-REF; TWIN12 FACE-LIFT,INO	SNA	1
2-1-1	4	RO456	DA63-04849G	COVER-WIRE HINGE R; TWIN-PJT,PP,HB,BJ550,	SA	1
2-1-2	4	RY479	DA61-03769A	MAGNET-A; HERMES,FERRITE,1600Gauss	SA	1
2-1-3	4	RO040	DA97-07376A	ASSY HINGE UPP; TWIN-PJT,-,-,-,-,-	SA	1
2-1-3-1	5	RR377	DA66-00073C	SHAFT-WASHER, C; RD-PVC,SR-32,35,-,-,-,T1	SA	1
2-1-4	4	RO105	DA66-00344A	CAM-HINGE RISER LOW; USP05(ATOP,ET),NY-66	SC	1
2-1-5	4	RE043	DA61-00776A	STOPPER DOOR; ES-PJT,CR-SPCC,BLACK,T3.0	SA	1
2-2	3	RO716	DA64-04020C	MASCOT; ALL,NI,-,T0.06,L80	SNA	1
3	2	RO271	DA97-08050G	ASSY COVER-WIRE DOOR R; TWIN-PJT,INOX 200	SA	1
3-1	3		DA67-00859K	CAP-DOOR HANDLE; CORE,ABS,HB,HG-0760GP,IN	SC	2
3-2	3	RO274	DA63-04851G	COVER-WIRE DOOR R; TWIN-PJT,ABS,HB,HG-076	SA	1
4	2	RO707	DA97-12958T	ASSY COVER CONTROL; TWIN12 Face Lift,UV D	SA	1
4-1	3		DA92-00411B	ASSY MODULE; LED DISPLAY,TWIN12 FACE LIFT	SA	1
5	2	RO010	DA97-14740A	ASSY HANDLE; TWIN12 Face Lift,VERSAILLES	SA	1
5-1	3	RD214	DA61-05177A	SPRING ETC-HANDLE; TWIN-PJT,PW1,6.6,5.4,7	SA	2
6	2		DA63-07890A	COVER SLIDER HANDLE; TWIN12 Face Lift,ABS	SA	2
7	2		DA97-14835A	ASSY GASKET; TWIN-12 Face Lift,Gray	SA	1
8	2	RG125	DA97-06590A	ASSY TRAY-EGG; MT-PJT,-,-,-,GPPS,NITRON	SNA	1
8-1	3	RE355	DA67-40297A	TRAY-EGG; SR-5056,GPPS,T2.5,-,-,-,-	SA	1
9	2	RE365	DA63-04872C	GUARD REF-UPP; TWIN-PJT,GPPS,T2.0,NTR,FIL	SA	1
10	2	RE057	DA63-04875C	GUARD REF-MID; TWIN-PJT,GPPS,T2.0,NTR,FIL	SA	2
11	2	RE343	DA63-04873C	GUARD BOTTLE; TWIN-PJT,GPPS,T2.0,NTR,FILM	SA	1
12	2	RE368	DA63-04874C	GUARD REF-LOW; TWIN-PJT,GPPS,T2.0,NTR,FIL	SA	1
13	2		DA67-00859K	CAP-DOOR HANDLE; CORE,ABS,HB,HG-0760GP,IN	SC	2



