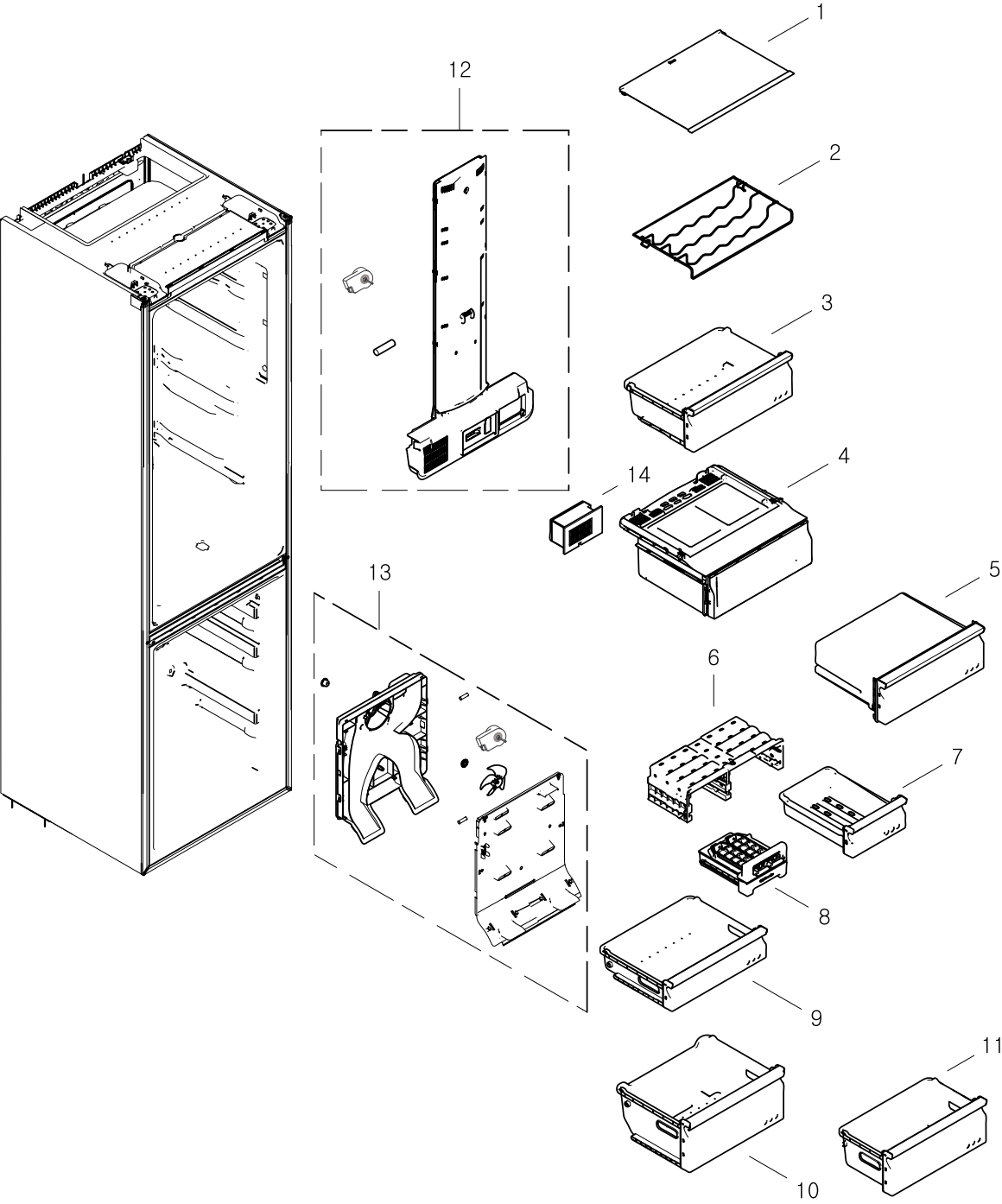


1. FREEZER FRIDGE

Exploded View

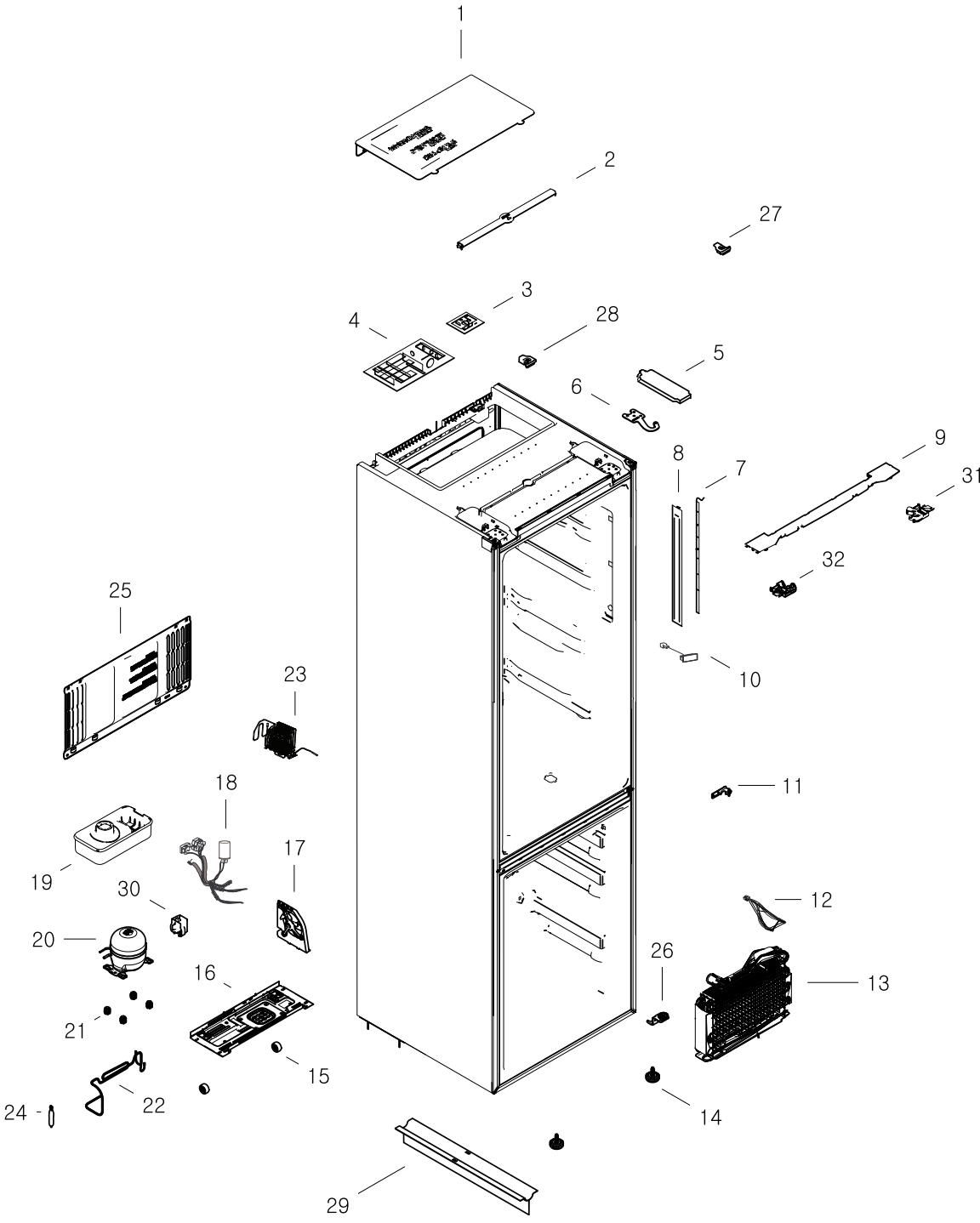


Parts List

No.	Parent	Lvl.	Loc.	Material Code	Description & Specification	SNA	Qty.
1	DA90-06797A	2	A0185	DA97-11387A	ASSY SHELF REF; GRAND CRU,BEST	SA	3
2	DA90-06797A	2	G0076	DA75-00244A	RACK-WINE; GRAND CRU(BEST),STS204,OD4.5	SA	1
3	DA90-06796A	2	A0205	DA97-11575A	ASSY CASE VEG-HIGH; GRAND CRU	SA	1
4	DA90-06796A	2	G0072	DA97-11325A	ASSY-CONVERTIBLE; GRAND CRU	SA	1
5	DA97-11325A	3	G0077	DA97-11360A	ASSY CASE-CONVERTIBLE; GRAND CRU	SA	1
6	DA97-11530A	3	G0254	DA67-03048A	SHELF-FRE UPP; GRAND CRU,HIPS,COOL WHITE	SA	1
7	DA97-11530A	3	G0255	DA97-11497A	ASSY CASE-MINI BASKET; GRAN CRU,ASSY, BES	SA	1
8	DA97-11530A	3	A0107	DA97-11481A	ASSY TRAY-ICE; GRAN CRU,W198.8,L69,ASSY	SA	1
9	DA90-06798A	2	M0121	DA97-11397A	ASSY TRAY-FRE UPP; GRAN CRU,W475.7,L381.4	SA	1
10	DA90-06798A	2	G0268	DA97-11399A	ASSY TRAY-FRE MID; GRAN CRU,W475.2,L382.5	SA	1
11	DA90-06798A	2	G0267	DA97-11398A	ASSY TRAY-FRE LOW; GRAN CRU,W475.2,L285.6	SA	1
12	DA90-06795A	2	G0239	DA97-11361A	ASSY COVER MULTI-REF; GRAND CRU,RL60, CON	SA	1
13	DA90-06795A	2	M0416	DA97-11338A	ASSY COVER-EVAP FRE; GRAND CRU	SA	1
14	DA97-11325A	3		DA97-04106D	ASSY DAMPER-CONVERTIBLE; CORE-PJT(PRIMIUM	SNA	1

2. OVER ALL

Exploded View



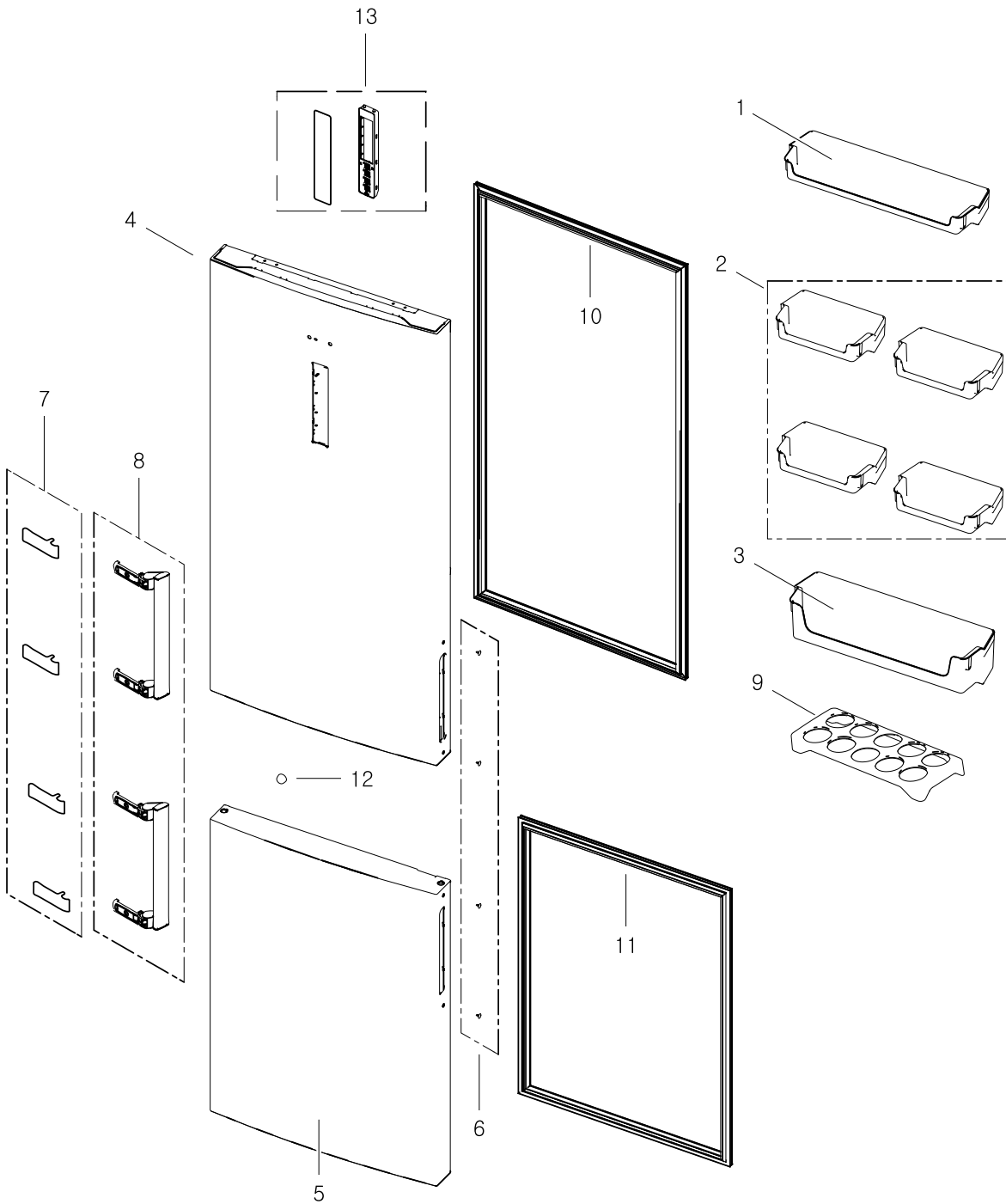
Parts List

No.	Parent	Lvl.	Loc.	Material Code	Description & Specification	SNA	Qty.
1	DA90-06794P	2	G0089	DA63-06361A	COVER PCB-PANEL; GRAN CRU,GI-SGCC,T0.35	SA	1
2	DA90-06794P	2	G0212	DA63-06384A	COVER-CABI HIGH; GRAN CRU,ABS,T2.0,42,399	SA	1
3	DA90-06793A	2	M0309	DA92-00157A	ASSY PCB SUB INVERTER; 12V,5V,-,Grand Cru	SA	1
4	DA90-06793A	2	A0102	DA92-00177B	ASSY PCB MAIN; 230V,50Hz,7-SEG,Gran cru,G	SA	1
5	DA90-06794P	2	G0217	DA63-06395A	COVER-HINGE A; GRAND CRU,ABS,COOL WHITE	SA	1
6	DA90-06794P	2	M0346	DA97-11472A	ASSY HINGE-UPP; GRAND CRU,WHITE	SA	1
7	DA90-06794P	2	G0090	DA41-00676D	PBA-LED LAMP; Gand Cru,R-ROOM,FR-4,353*10	SA	2
8	DA90-06794P	2	G0218	DA63-06396A	COVER LAMP-LED SIDE; GRAN CRU,GPPS,TRANSP	SA	1
9	DA90-06794P	2	G0215	DA63-06393A	COVER-WIRE DOOR; GRAND CRU,ABS,CREAMY STS	SA	1
10	DA90-06794P	2	G0068	DA34-00043A	SWITCH REED-ASS'Y; 200VDC,1.5,-	SA	1
11	DA90-06794P	2	A0831	DA61-07367A	HINGE-MID; GRAND CRU,SHP1,T4.0,Ni-Cr Plat	SA	1
12	DA96-00826A	3	G0203	DA47-00301H	THERMO FUSE-ASSY; POLARIS,120V/250V,15A/1	SA	1
13	DA90-06793A	2	A0162	DA96-00826A	ASSY EVAP FRE; RL60 (GRAND CRU),FRE,230V/	SA	1
14	DA90-06789L	2	G0201	DA61-07546A	LEG; GRAND CRU-PJT,PP,NTR,BOLT:M8,50.5mm	SA	2
15	DA97-11278A	3	A0527	DA61-06202A	CASTER-REAR; AMICA-PJT,PP,33,NTR,W18.5	SA	2
16	DA90-06793A	2	A0738	DA97-11278A	ASSY CHASSIS-COMP; GRAND_CRU,SBHG1,T0.8,A	SA	1
17	DA90-06793A	2	G0073	DA97-11277A	ASSY MOTOR-FAN UNIT; GRAND_CRU,ASSY	SA	1
18	DA90-06793A	2	M2000	DA27-00032A	COIL FILTER-EMI; 400L,8.0mH,60*82mm,BOX,S	SA	1
19	DA90-06793A	2	A0531	DA63-06226A	TRAY-DRAIN WATER; S_AM B/I,PP,T2.0,NTR	SA	1
20	DA90-06793A	2	F0043	MSV4A1AL1J/AK1	COMPRESSOR,BLDC IPM,11.1CC,115/220V,STAI; COMPRESSOR,BLDC IPM,11.1CC,115/220V,STAI		1
21	MSV4A1AL1J/AK1	3	Z1112	DA63-02617A	GROMMET COMP; USP05,EPDM,OD18.5,BLACK	SA	4
22	DA90-06793A	2	M0016	DA62-03095A	PIPE-CONNECT SUCTION; GRANDCRU,C1220T-0,O	SA	1

No.	Parent	Lvl.	Loc.	Material Code	Description & Specification	SNA	Qty.
23	DA90-06793A	2	G0270	DA97-11393A	ASSY PIPE-CONDENSER; RL60 (GRAND CRU),-	SA	1
24	DA90-06793A	2	G0071	DA62-02973B	DRYER-SINGLE; GRAND CRU,C1220T,OD18.7,L10	SA	1
25	DA90-06794P	2	M0398	DA97-11302A	ASSY COVER-COMP; GRAND CRU,SGCC,T0.3,ASSY	SA	1
26	DA90-06789L	2	A0515	DA97-11482A	ASSY HINGE LOW; GRAND CRU	SA	1
27	DA90-06789L	2		DA67-03053H	CAP-HIGH SIDE R; GRAND CRU,ABS,CREAMY STS	SNA	1
28	DA90-06789L	2		DA67-03054H	CAP-HIGH SIDE L; GRAND CRU,ABS,CREAMY STS	SNA	1
29	DA90-06794P	2	M0296	DA64-02605C	TRIM-BLADE; GRAND CRU,PVC,GRAY,L305	SA	1
30	MSV4A1AL1J/AK1	3	G0211	DA63-06122A	COVER-RELAY; MSV,N300X,T2.1,BLACK	SNA	1
31	DA90-06794P	2	G0213	DA63-06391A	COVER-WIRE HINGE R; GRAND CRU,PP,SNOW WHI	SA	1
32	DA90-06794P	2	G0214	DA63-06392A	COVER-WIRE HINGE L; GRAND CRU,PP,SNOW WHI	SA	1

3. DOOR

Exploded View



Parts List

No.	Parent	Lvl.	Loc.	Material Code	Description & Specification	SNA	Qty.
1	DA90-06799D	2	A0634	DA63-06305B	GUARD REF-UPP; Grand-Cru,GPPS,T2.5,484,50	SA	1
2	DA90-06799D	2	A0211	DA63-06307B	GUARD-VARIETY; Grand-Cru,GPPS,T2.5,238.6,	SA	4
3	DA90-06799D	2	A0635	DA63-06306B	GUARD REF-LOW; Grand-Cru,GPPS,T2.5,484,10	SA	1
4	DA90-06792Q	2	A0052	DA91-03631M	ASSY DOOR FOAM REF; GRAND CRU	SA	1
5	DA90-06791M	2	A0051	DA91-03632K	ASSY DOOR FOAM FRE; GRAND CRU	SA	1
6	DA90-06794P	2	A0826	DA67-02684C	CAP-SCREW HANDLE; GRAND CRU,ABS,CREAMY ST	SA	6
7	DA90-06794P	2	G0219	DA63-06487A	COVER-SLIDER HANDLE; GRAND CRU,ABS,CREAMY	SA	4
8	DA90-06794P	2	G0221	DA97-11532A	ASSY HANDLE-EASY; GRAN CRU,REAL STAINLESS	SA	2
9	DA90-06799D	2	Z1106	DA63-06221A	TRAY-EGG; SAM-PJT,GPPS,T2.5,92,252.9,Buil	SA	1
10	DA90-06792Q	2	A0535	DA97-08848U	ASSY-GASKET DOOR REF; GRAN CRU,REF 60(GRA	SA	1
11	DA90-06791M	2	A0557	DA97-08848V	ASSY-GASKET DOOR FRE; GRAN CRU,FRE 60(GRA	SA	1
12	DA90-06794P	2	A0270	DA67-00322U	CAP-SCREW; CORE-PJT,PP,-,-,SC-04084R,VE	SA	1
13	DA90-06792Q	2	G0082	DA97-11409K	ASSY COVER-CONTROL; GRAN CRU,ASS'Y,CREAMY	SA	1