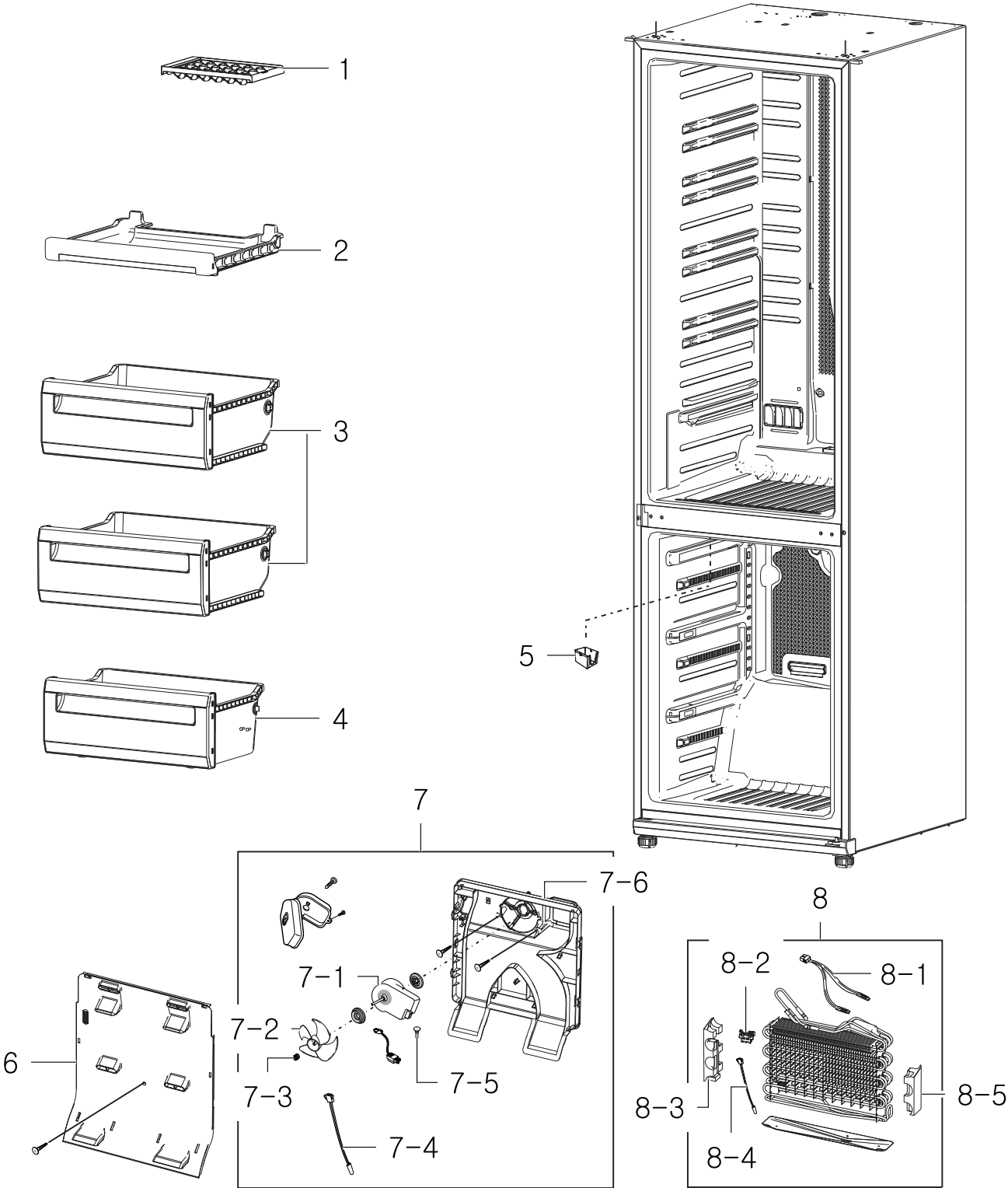


1. Freezer

Exploded View

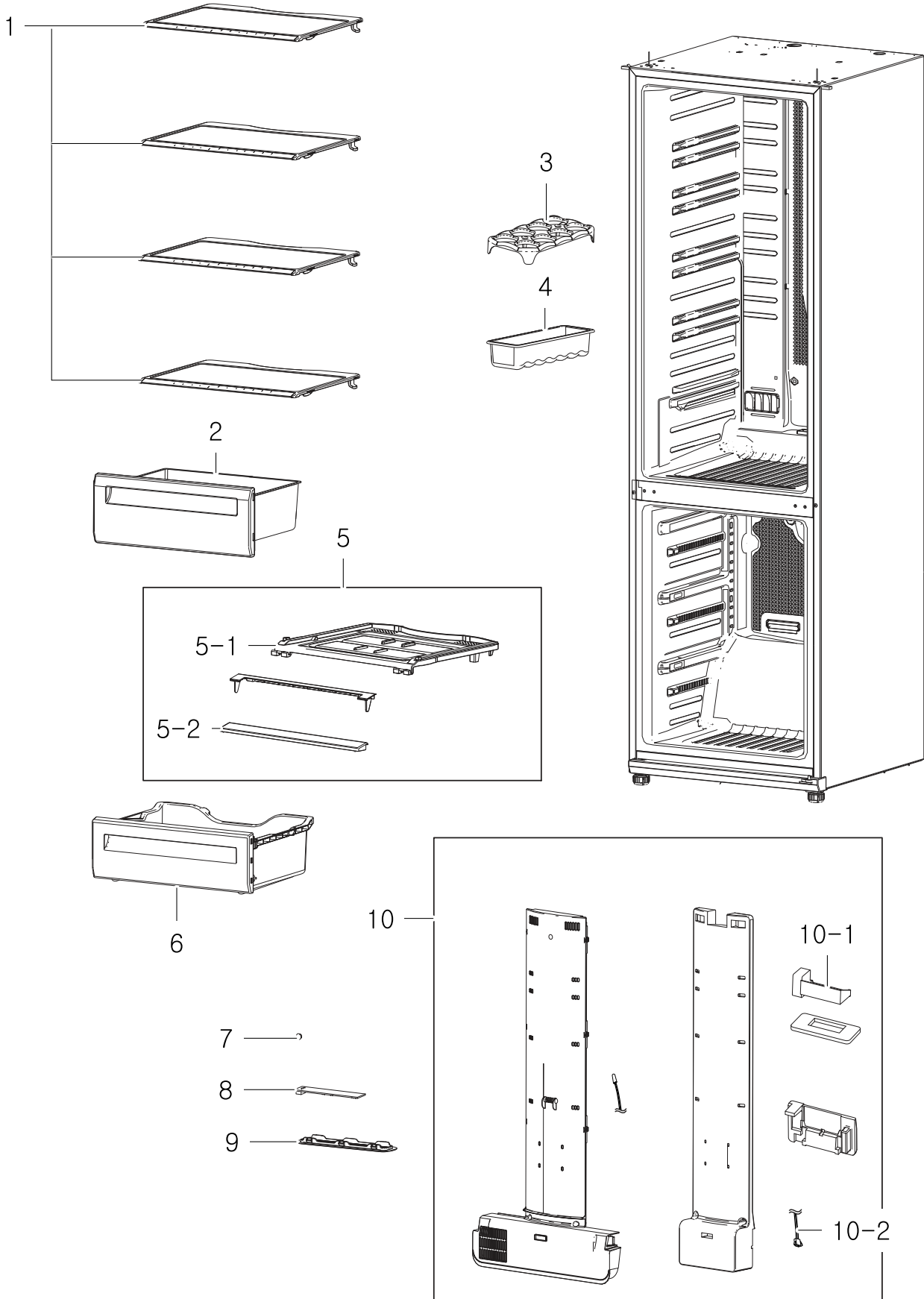


Parts List

| No. | Parent | Lvl. | Loc. | Material Code | Description & Specification | SNA | Qty. |
|-----|-------------|------|-------|---------------|---|-----|------|
| 1 | DA90-05604A | 2 | RM088 | DA63-04476A | TRAY ICE; NW2-PJT,PP,-,-,-,-,COOL WHT,- | SA | 1 |
| 2 | DA90-05604A | 2 | RI242 | DA97-04099B | ASSY TRAY-FRE UPP; CORE-PJT,-,-,-,SC-0274 | SA | 1 |
| 3 | DA90-05604A | 2 | RG158 | DA97-07808A | ASSY TRAY-FRE MID; SVETA-PJT,3 PIECE | SA | 2 |
| 4 | DA90-05604A | 2 | RI057 | DA97-07809A | ASSY TRAY-FRE LOW; SVETA-PJT,3 PIECE | SA | 1 |
| 5 | DA90-05601D | 2 | RI222 | DA63-02902B | COVER-FIXER HOUSING V; NEXT-PJT,GALVA,T0. | SA | 1 |
| 6 | DA90-05601D | 2 | RF006 | DA97-04020C | ASSY COVER-EVAP FRONT; CORE-PJT,SAEL NTR | SA | 1 |
| 7 | DA90-05601D | 2 | RF524 | DA97-04021H | ASSY COVER-EVAP REAR; CORE,BLDC | SA | 1 |
| 7-1 | DA97-04021H | 3 | RF431 | DA31-00146E | MOTOR FAN-BLDC; DREP5020LB,BLDC Motor,0.2 | SA | 1 |
| 7-2 | DA97-04021H | 3 | RG065 | DA31-00148A | FAN-AX112W5CCI; -,LMF,ABS,-,HF0660I | SA | 1 |
| 7-3 | DA97-04021H | 3 | RR053 | DA61-20128A | SPRING ETC-FAN; STS304,PI8.8,ID7.8,OD9.8, | SA | 1 |
| 7-4 | DA97-04021H | 3 | RF464 | DA32-00006G | SENSOR TEMP-F DEF BBC; PX-41C,BBC,-,5V,-, | SA | 1 |
| 7-5 | DA97-04021H | 3 | RR066 | DA63-40167A | GROMMET-COVER CHIL; SILICON,L16,WHITE | SA | 1 |
| 7-6 | DA97-04021H | 3 | RF319 | DA63-03076B | COVER EVAP-REAR; CORE-PJT,PPSCRAP,-,W421. | SA | 1 |
| 8 | DA90-05598P | 2 | RF011 | DA96-00280K | ASSY EVAP-FRE; SVETA,PIN,220~240V | SA | 1 |
| 8-1 | DA96-00280K | 3 | RR244 | DA47-10148X | THERMO FUSE-ASSY; SVETA,*,250,10,77-4,ASS | SA | 1 |
| 8-2 | DA96-00280K | 3 | RG124 | DA61-02901A | FIXER-SENSOR EVAP; CORE-PJT,PP,-,NTR,- | SA | 1 |
| 8-3 | DA96-00280K | 3 | RF492 | DA60-00153A | SPACER-EVAP L; CORE-PJT,FOAM PS,-,-,-,-,- | SA | 1 |
| 8-4 | DA96-00280K | 3 | RG108 | DA32-00006S | SENSOR TEMP-R-DEF; PX-41C, 502AT,AW-PJT,- | SA | 1 |
| 8-5 | DA96-00280K | 3 | RF124 | DA60-00154A | SPACER-EVAP R; CORE-PJT,FOAM PS,-,-,-,-,- | SA | 1 |

2. Fridge

Exploded View

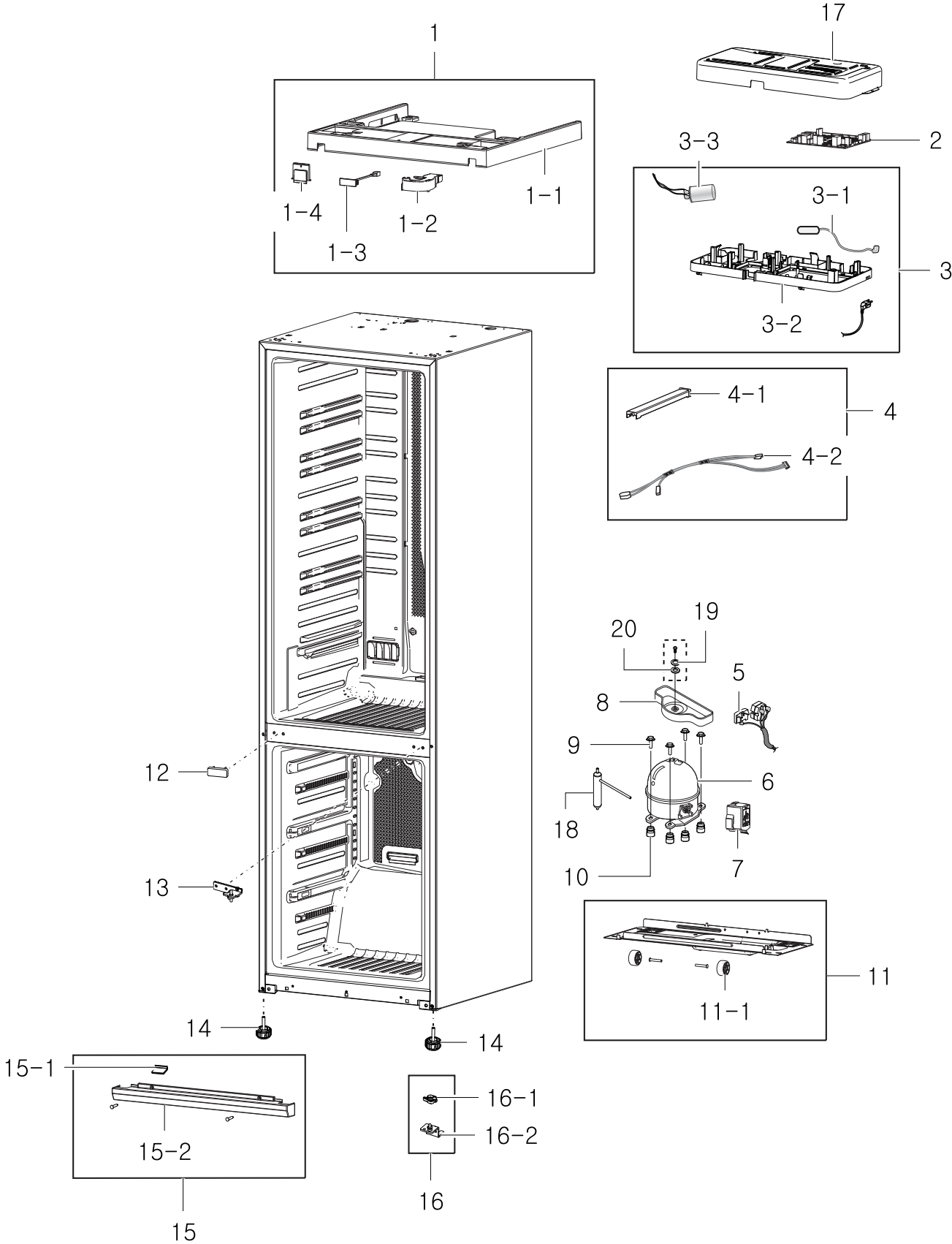


Parts List

| No. | Parent | Lvl. | Loc. | Material Code | Description & Specification | SNA | Qty. |
|------|-------------|------|-------|---------------|--|-----|------|
| 1 | DA90-05603D | 2 | RI037 | DA97-07794B | ASSY SHELF REF; SVETA-PJT,STS.TRIM | SC | 4 |
| 2 | DA90-05603D | 2 | RI087 | DA97-07814A | ASSY CASE-VEG HIGH; SVETA-PJT,3 PIECE | SA | 1 |
| 3 | DA90-05605A | 2 | RE355 | DA63-03869A | TRAY-EGG; TD-PJT,PP,T2,99,189,WHITE | SC | 1 |
| 4 | DA90-05605A | 2 | RE355 | DA63-05113A | TRAY EGG; SVETA-PJT,GPPS,TRP | SA | 1 |
| 5 | DA90-05603D | 2 | RI247 | DA97-07792B | ASSY COVER-CHILLED HIGH; SVETA-PJT,3PIECE | SA | 1 |
| 5-1 | DA97-07792B | 3 | RI327 | DA63-04709A | COVER-CHILLED UPP A; CORE,HIPS,-,-,-,-,-, | SA | 1 |
| 5-2 | DA97-08537B | 4 | RI495 | DA63-05108A | COVER-CHILLED HIGH FRONT; SVETA-PJT,SAN,T | SA | 1 |
| 6 | DA90-05603D | 2 | RI136 | DA97-07780A | ASSY TRAY-CHILLED; SVETA-PJT,EXP, 3PIECE | SA | 1 |
| 7 | DA90-05602G | 2 | RK037 | DA67-30266K | CAP-SCREW; A-TOP,PP,SC-02740R,-,-,Cool-wh | SA | 1 |
| 8 | DA90-07115M | 2 | RK387 | DA41-00519B | PBA-LED LAMP; GUGGENHEIM-PJT,F-ROOM,CEM-1 | SA | 1 |
| 9 | DA90-07115M | 2 | RI370 | DA63-04119B | COVER LAMP-LED FRONT; CORE,PC,T2,W145,L36 | SA | 1 |
| 10 | DA90-05602G | 2 | RI019 | DA97-08249C | ASSY COVER-MULTI REF; SVETA,J-Option | SNA | 1 |
| 10-1 | DA97-08249C | 3 | RK368 | DA31-00043F | MOTOR DC-MOTOR-DAMPER; -,CORE-PJT,Max 60m | SA | 1 |
| 10-2 | DA97-08249C | 3 | RR375 | DA32-10105R | SENSOR TEMP; 502AT,ET-PJT,-50~50,5V,1000 | SA | 1 |

3. Cabinet

Exploded View



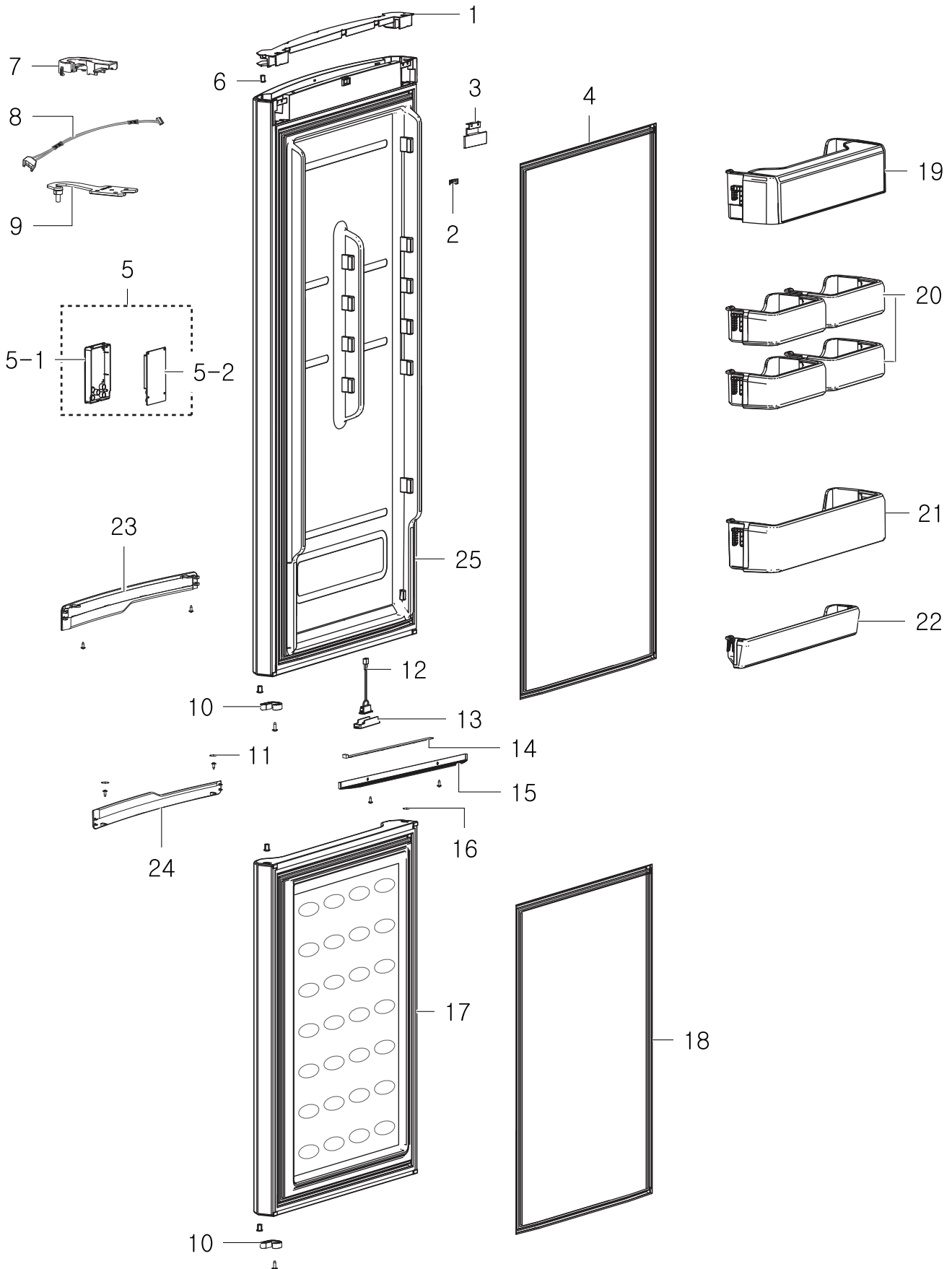
Parts List

| No. | Parent | Lvl. | Loc. | Material Code | Description & Specification | SNA | Qty. |
|------|----------------|------|-------|----------------|---|-----|------|
| 1 | DA90-07115M | 2 | RO268 | DA97-07770L | ASSY CAP-CABI; SVETA-PJT,HIPS,INOX,LED DI | SA | 1 |
| 1-1 | DA97-07770L | 3 | RO269 | DA67-02369C | CAP-CABI; SVETA-PJT,ABS,INOX(SC-06034R) | SA | 1 |
| 1-2 | DA97-07770L | 3 | RO454 | DA63-03029B | COVER-WIRE HINGE L; CORE-PJT,PP,-,-,-,- | SA | 1 |
| 1-3 | DA97-07770L | 3 | RK819 | DA34-00043A | SWITCH REED-ASS'Y; 200VDC,1.5,- | SA | 1 |
| 1-4 | DA97-07770L | 3 | RR231 | DA67-01433H | CAP-HOLE HINGE UPP; CORE-PJT,HIPS,-,W37.1 | SA | 1 |
| 2 | RL55VJBIH1/XEF | 1 | RY475 | DA92-00239A | ASSY PCB MAIN; 12V,5V,E-PANEL,SVETA-PJT,J | SA | 1 |
| 3 | DA90-06396P | 2 | RO270 | DA97-11941A | ASSY CASE-PBA MAIN; SVETA,ASSY | SA | 1 |
| 3-1 | DA97-11941A | 3 | RK691 | DA32-00011Z | SENSOR TEMP; PX-41C,SVETA-PJT,-40~110 | SA | 1 |
| 3-2 | DA97-11941A | 3 | RO285 | DA61-07747A | CASE PCB-PANEL; HIPS,NEO VICTORY GRAY,VE- | SA | 1 |
| 3-3 | DA97-11941A | 3 | RH083 | DA27-00032A | COIL FILTER-EMI; 400L,8.0mH,60*82mm,BOX,S | SA | 1 |
| 4 | DA90-07115M | 2 | RO190 | DA97-11904F | ASSY COVER-WIRE CABI; SVETA,E OPTION,ASSY | SNA | 1 |
| 4-1 | DA97-11904F | 3 | RR229 | DA63-03074B | COVER-WIRE CABI; CORE/SVETA,PP | SA | 1 |
| 4-2 | DA97-11904F | 3 | RO200 | DA96-00580J | ASSY W/HARNESS-CABI; SVETA INV COMP J,W,E | SNA | 1 |
| 5 | DA90-05598P | 2 | RO354 | DA34-00004B | RELAY PROTECTOR O/L; 4TM308RFBYY-82,BK190 | SA | 1 |
| 6 | DA90-05598P | 2 | | MSV4A1AL1B/E01 | COMPRESSOR,115/220V~50/60HZ,BLDC,STATIC; COMPRESSOR,115/220V~50/60HZ,BLDC,STATIC | SA | 1 |
| 7 | DA90-05598P | 2 | | DA63-06122A | COVER-RELAY; MSV,N300X,T2.1,BLACK | SA | 1 |
| 8 | DA97-11949A | 3 | RO361 | DA63-05124A | TRAY-DRAIN WATER; SVETA-PJT,SCP2,T0.5,BLA | SA | 1 |
| 9 | DA90-05598P | 2 | RR965 | DA60-20008A | BOLT-HEX; S25C,M6,L42.6,WHITE,ZPC | SA | 4 |
| 10 | DA90-05598P | 2 | RH732 | DA63-02617A | GROMMET COMP; USP05,EPDM,OD18.5,BLACK | SA | 4 |
| 11 | DA90-05598P | 2 | RO002 | DA97-03896A | ASSY CHASSIS-COMP; CORE-PJT,SBHG1,T1.0,- | SA | 1 |
| 11-1 | DA97-03896A | 3 | RR242 | DA61-40126B | CASTER-REAR; REF-ALL,PP,-,PI 44,NTR,W22,- | SC | 2 |
| 12 | DA90-07115M | 2 | RO083 | DA67-00195A | CAP-HINGE HOLE-MID; SR-32,35,PP,-,-,-,- | SA | 1 |
| 13 | DA90-07115M | 2 | RO039 | DA97-03900C | ASSY HINGE-MID; SVETA-PJT,T4.0,Ni-Cr Plat | SA | 1 |

| No. | Parent | Lvl. | Loc. | Material Code | Description & Specification | SNA | Qty. |
|------|-------------|------|-------|---------------|--|-----|------|
| 14 | DA97-03946F | 3 | RO100 | DA61-00805F | FOOT-FRONT; REF-ALL,PP+MSWR10,BLACK,PP_S | SA | 2 |
| 15 | DA90-07115M | 2 | RO003 | DA97-07755C | ASSY COVER LEG FRONT; SVETA-PJT,PP,INOX | SA | 1 |
| 15-1 | DA97-07755C | 3 | RO085 | DA67-01434B | CAP-HOLE HINGE LOW; CORE-PJT,PP,-,-,SC- | SA | 1 |
| 15-2 | DA97-07755C | 3 | RO287 | DA63-05089C | COVER-LEG FRONT; SVETA-PJT,PP,INOX | SA | 1 |
| 16 | DA90-05880B | 2 | RO036 | DA97-03947C | ASSY HINGE-LOW; CORE-PJT,T4.0,-,-,PAINTIN | SA | 1 |
| 16-1 | DA97-03947C | 3 | RE470 | DA61-02756B | GUIDE-AUTO CLOSE; CORE-PJT,PA66(Zytel 318 | SA | 1 |
| 16-2 | DA97-03947C | 3 | RO598 | DA61-02753A | HINGE-LOW; CORE,SHP1,T4.0,-,-,BLACK | SA | 1 |
| 17 | DA90-07115M | 2 | RO286 | DA63-06646A | COVER PCB-PANEL; SVETA,GI-SGCC,T0.5,W478. | SNA | 1 |
| 18 | DA90-05598P | 2 | RC050 | DA62-02614E | DRYER-SINGLE; HAEMIL_10,C1220T,OD18.7,L10 | SNA | 1 |
| 19 | DA60-00018A | 3 | RF494 | DA60-40104J | WASHER; -,PI 4.2,-,T0.8,T3-PJT,-,-,STS304 | SNA | 1 |
| 20 | DA60-00018A | 3 | | DA60-00015A | FASTENER-WASHER; -,PI 4,-,-,T3-PJT,-,BLK, | SNA | 1 |

4. Door

Exploded View



Parts List

| No. | Parent | Lvl. | Loc. | Material Code | Description & Specification | SNA | Qty. |
|-----|-------------|------|-------|---------------|--|-----|------|
| 1 | DA90-07115M | 2 | RO186 | DA63-05138B | COVER-WIRE DOOR; SVETA-PJT,HIPS,INOX | SA | 1 |
| 2 | DA97-07813N | 5 | RY503 | DA61-02738C | MAGNET-ASSY; CORE,ABS (HG-0760H G31834),5 | SA | 1 |
| 3 | DA97-07813N | 5 | RE121 | DA67-01437B | CAP-SPACE DOOR; CORE-PJT,HIPS,-,-,-,SC-06 | SA | 1 |
| 4 | DA90-05772Q | 2 | RR238 | DA97-07366K | ASSY-GASKET DOOR REF; SVETA-PJT,RL45, SC- | SA | 1 |
| 5 | DA90-05772Q | 2 | RE245 | DA97-07873A | ASSY COVER-DISPLAY LED; SVETA-PJT,LED | SA | 1 |
| 5-1 | DA97-07873A | 3 | RE250 | DA63-05146A | COVER-DISPLAY LED; SVETA-PJT,ABS,DARK-GLA | SA | 1 |
| 5-2 | DA97-07873A | 3 | RR572 | DA41-00662A | ASSY PCB KIT LED; SVETA(E OPTION),DOOR RE | SA | 1 |
| 6 | DA97-07813N | 5 | RO116 | DA63-03046A | GROMMET-HINGE; CORE PJT,NY-6,-,-,L16,ID6, | SA | 1 |
| 7 | DA97-07813N | 5 | RO456 | DA63-03030B | COVER-WIRE HINGE R; CORE-PJT,PP,-,-,-,- | SA | 1 |
| 8 | DA97-07813N | 5 | RE236 | DA96-00610G | ASSY W/HARNESS-DOOR JOINT; SVETA INV J/W/ | SA | 1 |
| 9 | DA97-07813N | 5 | RO040 | DA97-03899A | ASSY HINGE-UPP; CORE,T4.5,-,-,PAINTING(BL | SA | 1 |
| 10 | DA97-07812B | 5 | RE440 | DA61-02773B | STOPPER-DOOR; CORE-PJT,POM(DE8903),-,-,-, | SA | 1 |
| 11 | DA97-07902W | 4 | RD238 | DA67-01782K | CAP-SCREW INLAY; SVETA,ABS,INOX(SC-06034R | SA | 2 |
| 12 | DA97-07812B | 5 | RK819 | DA34-00043A | SWITCH REED-ASS'Y; 200VDC,1.5,- | SA | 1 |
| 13 | DA97-07812B | 5 | RE235 | DA67-02385C | CAP-REED SWITCH; SVETA-PJT,PP,T1.5,75.5,1 | SA | 1 |
| 14 | DA97-07812B | 5 | RK397 | DA41-00676A | PBA-LED LAMP; SVETA-PJT,R DOOR,FR-4,300*1 | SA | 1 |
| 15 | DA97-07812B | 5 | RE234 | DA63-05105A | COVER-LAMP HANDLE; SVETA-PJT,PP,NTR,BASIC | SA | 1 |
| 16 | DA90-05596V | 2 | RO515 | DA67-01612B | CAP-HINGE HOLE; CORE-PJT,PP,-,-,-,INOX,- | SA | 1 |
| 17 | DA90-05596V | 2 | RD001 | DA91-03687N | ASSY DOOR FOAM-FRE; SVETA,RL55,J-OPT,SUSL | SA | 1 |
| 18 | DA90-05596V | 2 | RU513 | DA97-07366J | ASSY-GASKET DOOR FRE; SVETA-PJT,SC-97487, | SA | 1 |
| 19 | DA90-05605A | 2 | RE028 | DA97-07787A | ASSY GUARD-DAIRY; SVETA-PJT | SA | 1 |
| 20 | DA90-05605A | 2 | RE244 | DA97-07785B | ASSY GUARD-VARIETY; SVETA-PJT,COVER GPPS | SA | 4 |
| 21 | DA90-05605A | 2 | RE017 | DA97-07784B | ASSY GUARD BOTTLE; SVETA-PJT | SA | 1 |

Exploded Views and Parts List

| No. | Parent | Lvl. | Loc. | Material Code | Description & Specification | SNA | Qty. |
|-----|-------------|------|-------|---------------|--|-----|------|
| 22 | DA90-05605A | 2 | | DA97-07783B | ASSY GUARD REF-LOW; SVETA-PJT | SA | 1 |
| 23 | DA97-11935L | 4 | RE233 | DA97-07776S | ASSY COVER-HANDLE REF; SVETA-PJT,STS430J1 | SNA | 1 |
| 24 | DA97-07902W | 4 | RD239 | DA97-07777S | ASSY COVER-HANDLE FRE; SVETA-PJT,STS430J1 | SNA | 1 |
| 25 | DA90-05772Q | 2 | RE001 | DA91-03687M | ASSY DOOR FOAM-REF; SVETA,RL55,SUSLIKE-IN | SA | 1 |