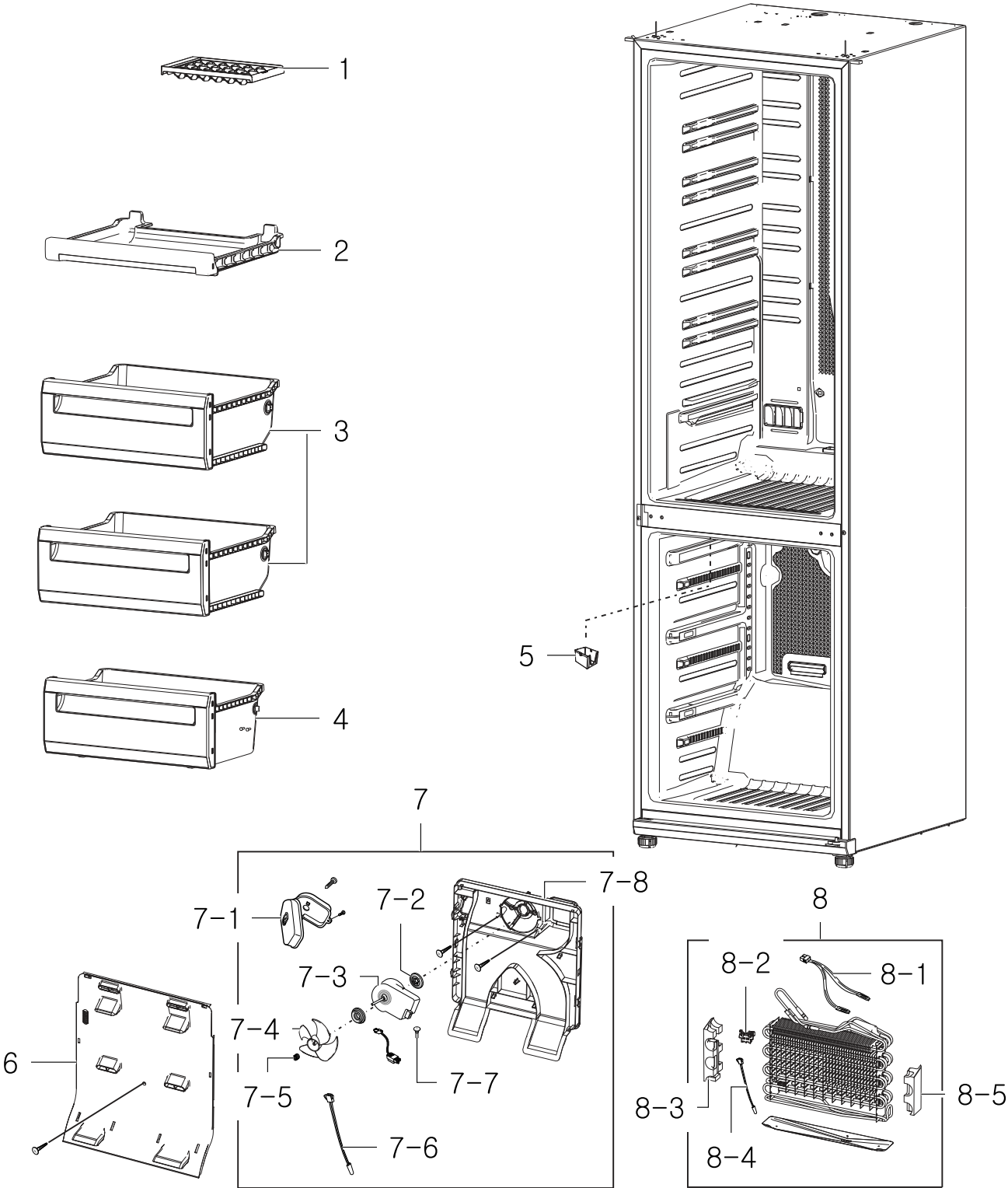


1. Freezer

Exploded View

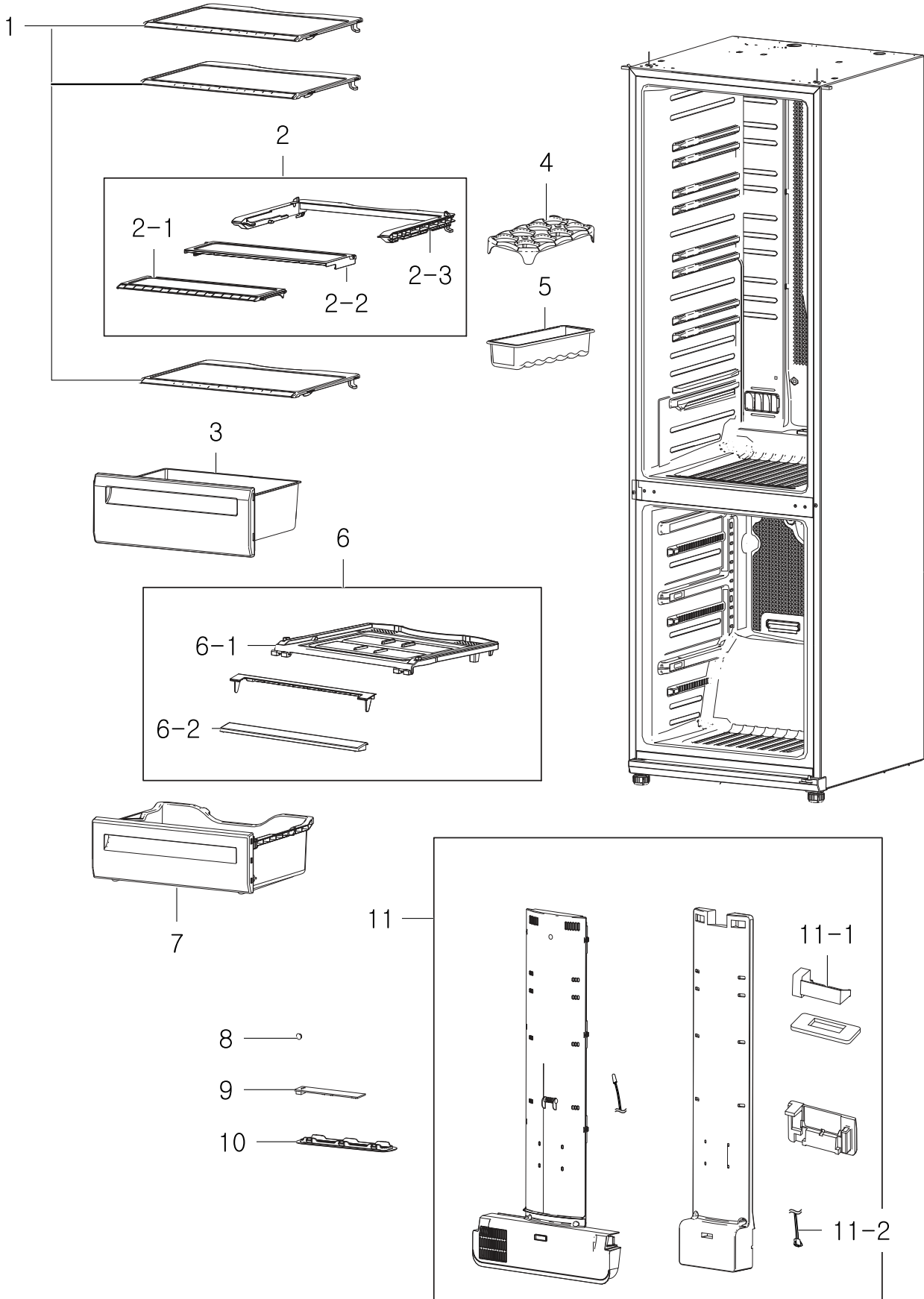


Parts List

No.	Parent	Lvl.	Loc.	Material Code	Description & Specification	SNA	Qty.
1	DA90-05604A	2	RM088	DA63-04476A	TRAY ICE; NW2-PJT,PP,-,-,-,-,COOL WHT,-	SA	1
2	DA90-05604A	2	RI242	DA97-04099B	ASSY TRAY-FRE UPP; CORE-PJT,-,-,-,SC-0274	SA	1
3	DA90-05604A	2	RG158	DA97-07808A	ASSY TRAY-FRE MID; SVETA-PJT,3 PIECE	SA	2
4	DA90-05604A	2	RI057	DA97-07809A	ASSY TRAY-FRE LOW; SVETA-PJT,3 PIECE	SA	1
5	DA90-05601A	2	RI222	DA63-02902B	COVER-FIXER HOUSING V; NEXT-PJT,GALVA,T0.	SA	1
6	DA90-05601A	2	RF006	DA97-04020C	ASSY COVER-EVAP FRONT; CORE-PJT,SAEL NTR	SA	1
7	DA90-05601A	2	RF524	DA97-04244L	ASSY COVER-EVAP REAR(AC); CORE,220V~240V	SA	1
7-1	DA97-04244L	3	RK171	DA63-01283C	COVER-MOTOR; AD,PP,-,-,-,-,NTR,AC,FH21	SA	1
7-2	DA97-04244L	3	RY355	DA63-00771A	GROMMET-FAN MOTOR; OMEGA,NBR,-,-,-,-,BL	SA	1
7-3	DA97-04244L	3	RH808	DA31-00103H	MOTOR FAN-AC; IS-27210SNC5B,CORE,66 15%	SA	1
7-4	DA97-04244L	3	RG065	DA31-00148A	FAN-AX112W5CCI; -,LMF,ABS,-,HF0660I	SA	1
7-5	DA97-04244L	3	RR053	DA61-20128A	SPRING ETC-FAN; STS304,PI8.8,ID7.8,OD9.8,	SA	1
7-6	DA97-04244L	3	RF464	DA32-00006G	SENSOR TEMP-F DEF BBC; PX-41C,BBC,-,5V,-,	SA	1
7-7	DA97-04244L	3	RR066	DA63-40167A	GROMMET-COVER CHIL; SILICON,L16,WHITE	SA	1
7-8	DA97-04244L	3	RF319	DA63-03076B	COVER EVAP-REAR; CORE-PJT,PPSCRAP,-,W421.	SA	1
8	DA90-05598K	2	RF011	DA96-00280K	ASSY EVAP-FRE; SVETA,PIN,220~240V	SA	1
8-1	DA96-00280K	3	RR244	DA47-10148X	THERMO FUSE-ASSY; SVETA,*,250,10,77-4,ASS	SA	1
8-2	DA96-00280K	3	RG124	DA61-02901A	FIXER-SENSOR EVAP; CORE-PJT,PP,-,NTR,-	SA	1
8-3	DA96-00280K	3	RF492	DA60-00153A	SPACER-EVAP L; CORE-PJT,FOAM PS,-,-,-,-,-	SA	1
8-4	DA96-00280K	3	RG108	DA32-00006S	SENSOR TEMP-R-DEF; PX-41C, 502AT,AW-PJT,-	SA	1
8-5	DA96-00280K	3	RF124	DA60-00154A	SPACER-EVAP R; CORE-PJT,FOAM PS,-,-,-,-,-	SA	1

2. Fridge

Exploded View

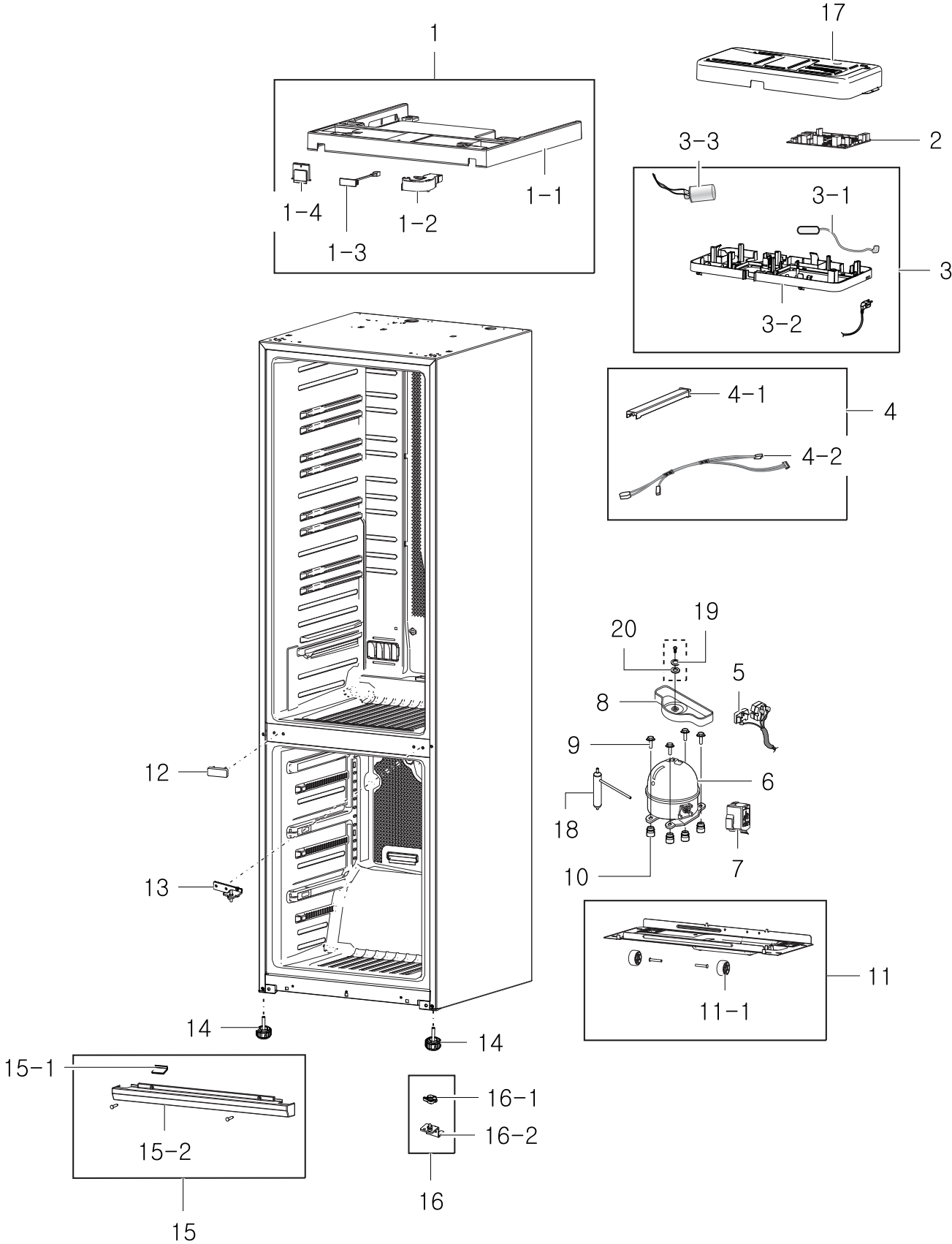


Parts List

No.	Parent	Lvl.	Loc.	Material Code	Description & Specification	SNA	Qty.
1	DA90-05603A	2	RI037	DA97-07794B	ASSY SHELF REF; SVETA-PJT,STS.TRIM	SC	3
2	DA90-05603A	2	RG165	DA97-07830B	ASSY SHELF-FOLD; SVETA-PJT,INSERT	SC	1
2-1	DA97-07830B	3	RI472	DA97-08177B	ASSY SHELF-FOLD A; SVETA-PJT,STS, TRIM	SA	1
2-2	DA97-07830B	3	RI470	DA67-02381A	SHELF-FOLD B; SVETA-PJT,ABS,COOL WHITE,IN	SA	1
2-3	DA97-07830B	3	RI471	DA67-02386A	SHELF-FRAME FOLD; SVETA-PJT,ABS,COOL WHIT	SA	1
3	DA90-05603A	2	RI087	DA97-07814A	ASSY CASE-VEG HIGH; SVETA-PJT,3 PIECE	SA	1
4	DA90-05605A	2	RE355	DA63-03869A	TRAY-EGG; TD-PJT,PP,T2,99,189,WHITE	SC	1
5	DA90-05605A	2	RE355	DA63-05113A	TRAY EGG; SVETA-PJT,GPPS,TRP	SA	1
6	DA90-05603A	2	RI247	DA97-07792B	ASSY COVER-CHILLED HIGH; SVETA-PJT,3PIECE	SA	1
6-1	DA97-07792B	3	RI327	DA63-04709A	COVER-CHILLED UPP A; CORE,HIPS,-,-,-,-,-,-,-,-,-,-	SA	1
6-2	DA97-08537B	4	RI495	DA63-05108A	COVER-CHILLED HIGH FRONT; SVETA-PJT,SAN,T	SA	1
7	DA90-05603A	2	RI136	DA97-07780A	ASSY TRAY-CHILLED; SVETA-PJT,EXP, 3PIECE	SA	1
8	DA90-05602D	2	RK037	DA67-30266K	CAP-SCREW; A-TOP,PP,SC-02740R,-,-,-,Cool-wh	SA	1
9	DA90-05600Y	2	RK387	DA41-00519B	PBA-LED LAMP; GUGGENHEIM-PJT,F-ROOM,CEM-1	SA	1
10	DA90-05600Y	2	RI370	DA63-04119B	COVER LAMP-LED FRONT; CORE,PC,T2,W145,L36	SA	1
11	DA90-05602D	2	RI019	DA97-08259A	ASSY COVER MULTI REF; SVETA, RL52E,LED, C	SA	1
11-1	DA97-08259A	3	RK368	DA31-00043F	MOTOR DC-MOTOR-DAMPER; -,CORE-PJT,Max 60m	SA	1
11-2	DA97-08259A	3	RR375	DA32-10105R	SENSOR TEMP; 502AT,ET-PJT,-50~50,5V,1000	SA	1

3. Cabinet

Exploded View



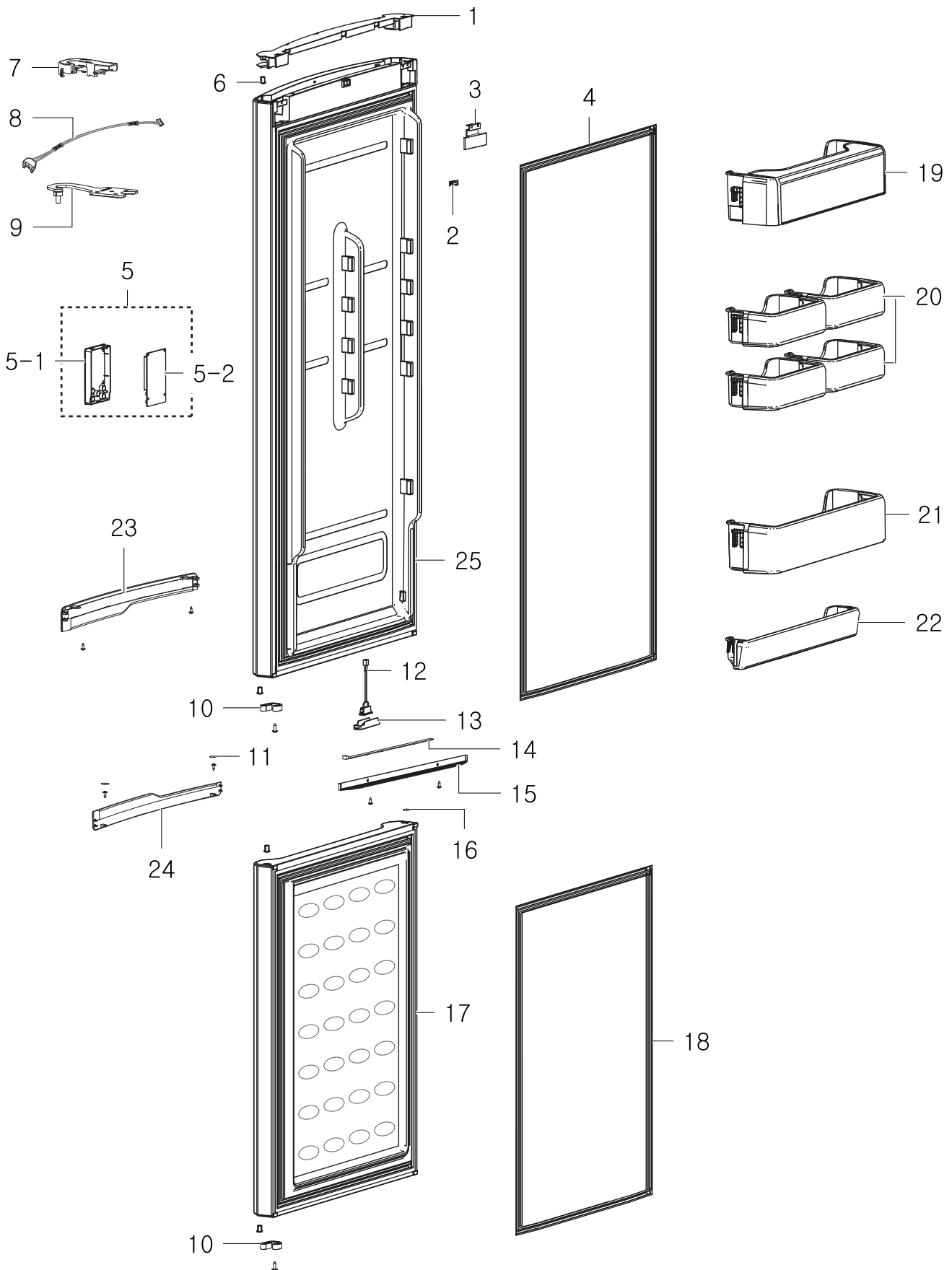
Parts List

No.	Parent	Lvl.	Loc.	Material Code	Description & Specification	SNA	Qty.
1	DA90-05600Y	2	RO268	DA97-07770J	ASSY CAP-CABI; SVETA-PJT,HIPS,SNOW WHITE,	SA	1
1-1	DA97-07770J	3	RO269	DA67-02369A	CAP-CABI; SVETA-PJT,ABS,SNOW WHITE(SC-975	SA	1
1-2	DA97-07770J	3	RO454	DA63-03029D	COVER-WIRE HINGE L; CORE-PJT,PP,-,-,-,-	SA	1
1-3	DA97-07770J	3	RK819	DA34-00043A	SWITCH REED-ASS'Y; 200VDC,1.5,-	SA	1
1-4	DA97-07770J	3	RR231	DA67-01433K	CAP-HOLE HINGE UPP; CORE-PJT,HIPS,-,W37.1	SA	1
2	RL52VEBSW1/XEF	1	RY475	DA92-00239C	ASSY PCB MAIN; 12V,5V,E-PANEL,SVETA-PJT,E	SA	1
3	DA90-06858Y	2	RO270	DA97-11941A	ASSY CASE-PBA MAIN; SVETA,ASSY	SA	1
3-1	DA97-11941A	3	RK691	DA32-00011Z	SENSOR TEMP; PX-41C,SVETA-PJT,-40~110°C	SA	1
3-2	DA97-11941A	3	RO285	DA61-07747A	CASE PCB-PANEL; HIPS,NEO VICTORY GRAY,VE-	SA	1
3-3	DA97-11941A	3	RH083	DA27-00032A	COIL FILTER-EMI; 400L,8.0mH,60*82mm,BOX,S	SA	1
4	DA90-05600Y	2	RO190	DA97-11904F	ASSY COVER-WIRE CABI; SVETA,E OPTION,ASSY	SNA	1
4-1	DA97-11904F	3	RR229	DA63-03074B	COVER-WIRE CABI; CORE/SVETA,PP	SA	1
4-2	DA97-11904F	3	RO200	DA96-00580J	ASSY W/HARNESS-CABI; SVETA INV COMP J,W,E	SNA	1
5	DA90-05598K	2	RO354	DA34-00004B	RELAY PROTECTOR O/L; 4TM308RFBYY-82,BK190	SA	1
6	DA90-05598K	2		MSV4A1AL1J/E01	COMPRESSOR,BLDC IPM,11.1CC,115/220V,STAI; COMPRESSOR,BLDC IPM,11.1CC,115/220V,STAI	SA	1
7	DA90-05598K	2		DA63-06122A	COVER-RELAY; MSV,N300X,T2.1,BLACK	SA	1
8	DA97-11949A	3	RO361	DA63-05124A	TRAY-DRAIN WATER; SVETA-PJT,SCP2,T0.5,BLA	SA	1
9	DA90-05598K	2	RR965	DA60-20008A	BOLT-HEX; S25C,M6,L42.6,WHITE,ZPC	SA	4
10	DA90-05598K	2	RH732	DA63-02617A	GROMMET COMP; USP05,EPDM,OD18.5,BLACK	SA	4
11	DA90-05598K	2	RO002	DA97-03896A	ASSY CHASSIS-COMP; CORE-PJT,SBHG1,T1.0,-,	SA	1
11-1	DA97-03896A	3	RR242	DA61-40126B	CASTER-REAR; REF-ALL,PP,-,PI 44,NTR,W22,-	SC	2
12	DA90-05600Y	2	RO083	DA67-00195A	CAP-HINGE HOLE-MID; SR-32,35,PP,-,-,-,-	SA	1

No.	Parent	Lvl.	Loc.	Material Code	Description & Specification	SNA	Qty.
13	DA90-05600Y	2	RO039	DA97-03900C	ASSY HINGE-MID; SVETA-PJT,T4.0,Ni-Cr Plat	SA	1
14	DA97-03946F	3	RO100	DA61-00805F	FOOT-FRONT; REF-ALL,PP+MSWR10,BLACK,PP_S	SA	2
15	DA90-05600Y	2	RO003	DA97-07755A	ASSY COVER LEG FRONT; SVETA-PJT,PP,T1.8,5	SA	1
15-1	DA97-07755A	3	RO085	DA67-01434D	CAP-HOLE HINGE LOW; CORE-PJT,PP,-,-,SC-	SA	1
15-2	DA97-07755A	3	RO287	DA63-05089A	COVER-LEG FRONT; SVETA-PJT,PP,SNOW WHITE	SA	1
16	DA90-07102A	2	RO036	DA97-03947C	ASSY HINGE-LOW; CORE-PJT,T4.0,-,-,PAINTIN	SA	1
16-1	DA97-03947C	3	RE470	DA61-02756B	GUIDE-AUTO CLOSE; CORE-PJT,PA66(Zytel 318	SA	1
16-2	DA97-03947C	3	RO598	DA61-02753A	HINGE-LOW; CORE,SHPI,T4.0,-,-,-,BLACK	SA	1
17	DA90-05600Y	2	RO286	DA63-06646A	COVER PCB-PANEL; SVETA,GI-SGCC,T0.5,W478.	SNA	1
18	DA90-05598K	2	RC050	DA62-02614E	DRYER-SINGLE; HAEMIL_10,C1220T,OD18.7,L10	SNA	1
19	DA60-00018A	3	RF494	DA60-40104J	WASHER; -,PI 4.2,-,T0.8,T3-PJT,-,-,STS304	SNA	1
20	DA60-00018A	3		DA60-00015A	FASTENER-WASHER; -,PI 4,-,-,T3-PJT,-,BLK,	SNA	1

4. Door

Exploded View



Parts List

No.	Parent	Lvl.	Loc.	Material Code	Description & Specification	SNA	Qty.
1	DA90-05600Y	2	RO186	DA63-05138A	COVER-WIRE DOOR; SVETA-PJT,HIPS,SNOW WHIT	SA	1
2	DA97-07813M	5	RY482	DA61-02738A	MAGNET-ASS'Y; CORE-PJT,Strontium ferrite,	SA	1
3	DA97-07813M	5	RE121	DA67-01437D	CAP-SPACE DOOR; CORE-PJT,HIPS,-,-,-,SC-97	SA	1
4	DA90-07114N	2	RR238	DA97-07366L	ASSY-GASKET DOOR REF; SVETA-PJT,RL42, SC-	SA	1
5	DA90-07114N	2	RE245	DA97-07873A	ASSY COVER-DISPLAY LED; SVETA-PJT,LED	SA	1
5-1	DA97-07873A	3	RE250	DA63-05146A	COVER-DISPLAY LED; SVETA-PJT,ABS,DARK-GLA	SA	1
5-2	DA97-07873A	3	RR572	DA41-00662A	ASSY PCB KIT LED; SVETA(E OPTION),DOOR RE	SA	1
6	DA97-07813M	5	RO116	DA63-03046A	GROMMET-HINGE; CORE PJT,NY-6,-,-,L16,ID6,	SA	1
7	DA97-07813M	5	RO456	DA63-03030D	COVER-WIRE HINGE R; CORE-PJT,PP,-,-,-,-	SA	1
8	DA97-07813M	5	RE236	DA96-00610G	ASSY W/HARNES-DOOR JOINT; SVETA INV J/W/	SA	1
9	DA97-07813M	5	RO040	DA97-03899A	ASSY HINGE-UPP; CORE,T4.5,-,-,PAINTING(BL	SA	1
10	DA97-07812A	5	RE440	DA61-02773B	STOPPER-DOOR; CORE-PJT,POM(DE8903),-,-,-,	SA	1
11	DA97-07902S	4	RD238	DA67-01782J	CAP-SCREW INLAY; SVETA,ABS,SNOW WHITE(SC-	SA	2
12	DA97-07812A	5	RK819	DA34-00043A	SWITCH REED-ASS'Y; 200VDC,1.5,-	SA	1
13	DA97-07812A	5	RE235	DA67-02385A	CAP-REED SWITCH; SVETA-PJT,PP,SNOW-WHITE(SA	1
14	DA97-07812A	5	RK397	DA41-00676A	PBA-LED LAMP; SVETA-PJT,R DOOR,FR-4,300*1	SA	1
15	DA97-07812A	5	RE234	DA63-05105A	COVER-LAMP HANDLE; SVETA-PJT,PP,NTR,BASIC	SA	1
16	DA90-05596E	2	RO515	DA67-01612D	CAP-HINGE HOLE; CORE-PJT,PP,-,-,-,SNOW WH	SA	1
17	DA90-05596E	2	RD001	DA91-02915F	ASSY DOOR FOAM FRE; SVETA,RL42,SNOW-WHITE	SA	1
18	DA90-05596E	2	RU513	DA97-07366J	ASSY-GASKET DOOR FRE; SVETA-PJT,SC-97487,	SA	1
19	DA90-05605A	2	RE028	DA97-07787A	ASSY GUARD-DAIRY; SVETA-PJT	SA	1
20	DA90-05605A	2	RE244	DA97-07785B	ASSY GUARD-VARIETY; SVETA-PJT,COVER GPPS	SA	4
21	DA90-05605A	2	RE017	DA97-07784B	ASSY GUARD BOTTLE; SVETA-PJT	SA	1

Exploded Views and Parts List

No.	Parent	Lvl.	Loc.	Material Code	Description & Specification	SNA	Qty.
22	DA90-05605A	2		DA97-07783B	ASSY GUARD REF-LOW; SVETA-PJT	SA	1
23	DA97-11562S	4	RE233	DA97-07776J	ASSY COVER-HANDLE REF; SVETA-PJT,AL5052 P	SNA	1
24	DA97-07902S	4	RD239	DA97-07777J	ASSY COVER-HANDLE FRE; SVETA-PJT,AL5052 P	SNA	1
25	DA90-07114N	2	RE001	DA91-03687K	ASSY DOOR FOAM REF; SVETA-PJT,RL42,SNOW-W	SA	1