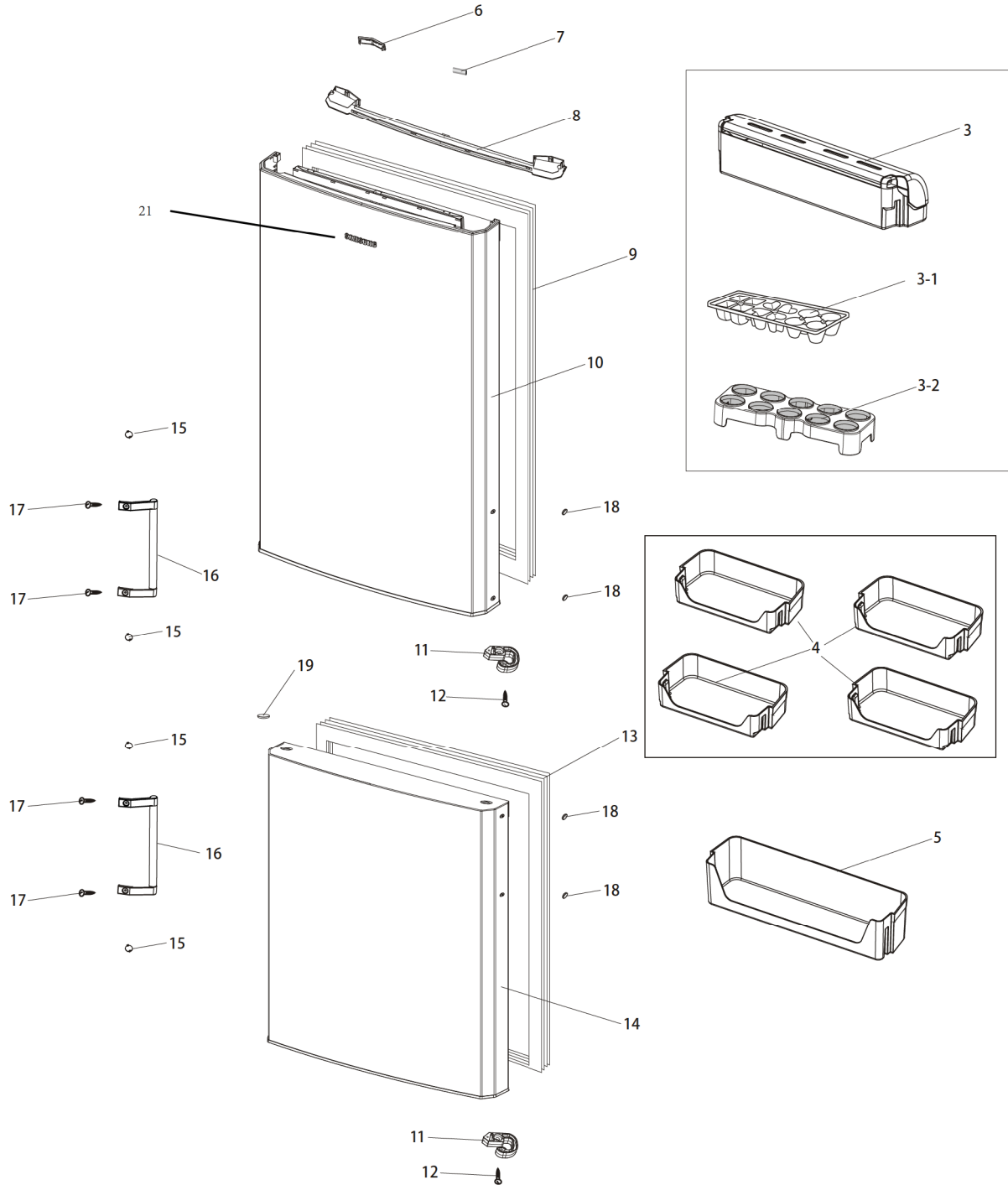


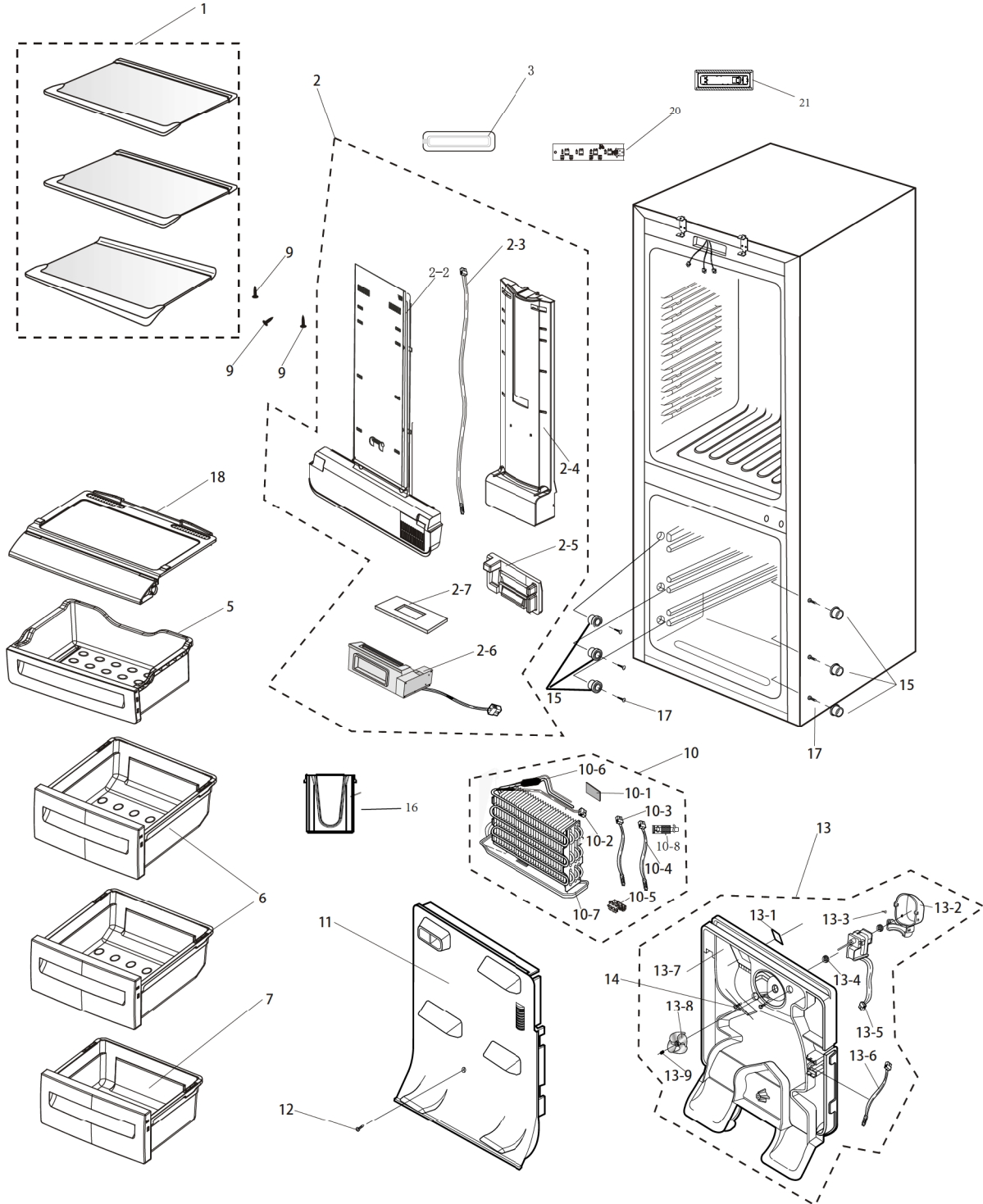
EXPLODED VIEW PART LIST

Door



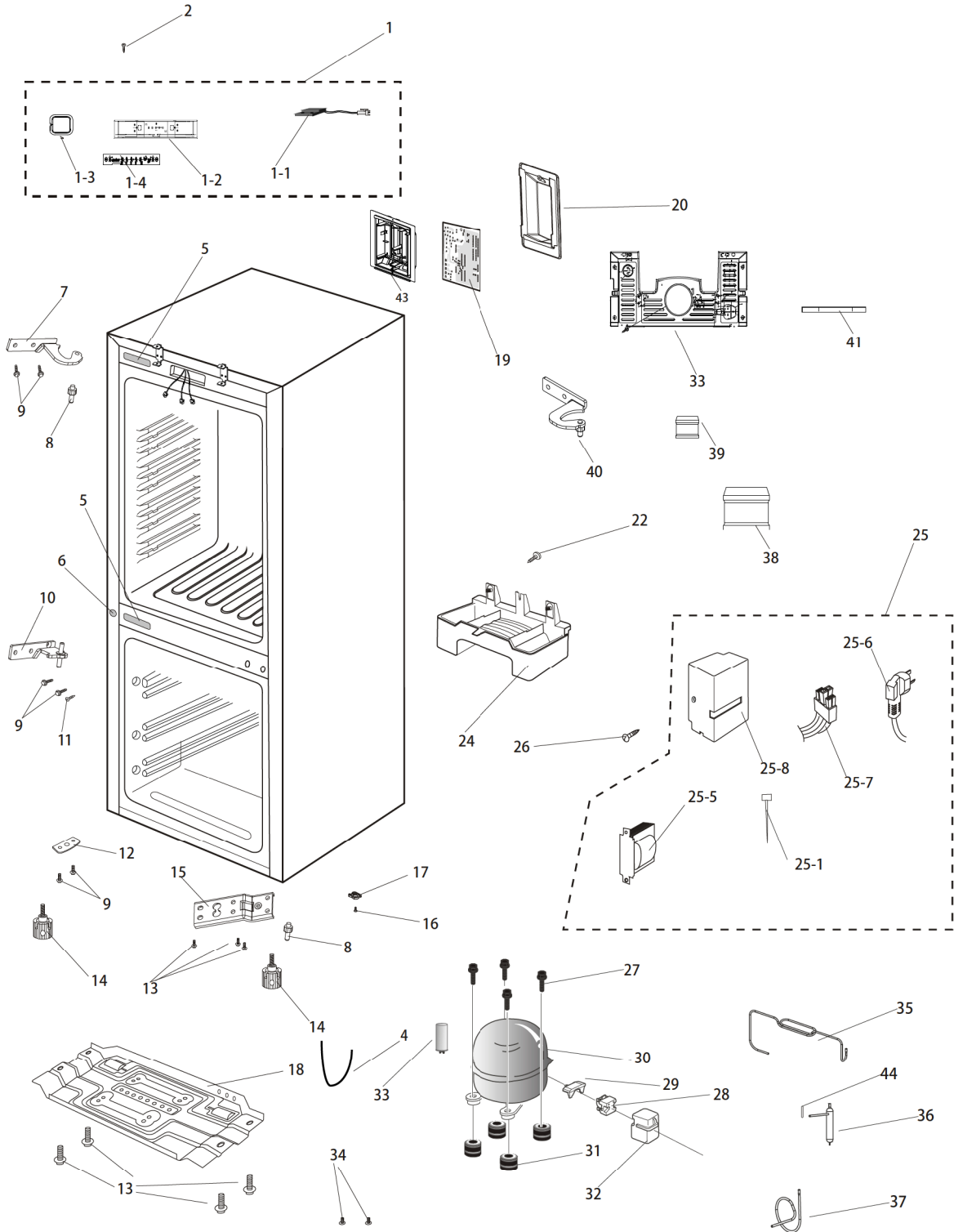
EXPLODED VIEW PART LIST

Fridge and Freezer



EXPLODED VIEW PART LIST

Overall Assembly



EXPLODED VIEW PART LIST

• Parts List of Overall Assembly

NO	CODE NO	PART NAME	Specification	Quantity	SA/SNA	SVC NO
1	DA90-04803A	ASSY COVER TOP-FRONT	W07,SEMI,2008,,SW,	1	SA	Z1141
1-1	DA34-00046B	SWITCH-REED	KYESH,JST,200V,0.5A,DC,L90	1	SA	Z1142
1-2	DA63-03792A	COVER TOP-FRONT	W07,ABS,LG-121h,SEMI	1	SNA	A0820
1-3	DA64-02262A	BUTTON-SELECT	W07,ABS,LG-121h	2	SNA	0
1-4	DA41-00483A	ASSY PCB KIT LED	W07,LED	1	SA	G0069
2	6002-001341	SCREW-TAPPING	BH,+,-,1,M4,L16,DACRO,SWRC	1	SNA	G0412
4	DA31-00218B	WIRE HARNESS-EARTH	,-,-,DC12V,Max60mA,-,-,	1	SA	G0242
5	DA67-01798A	CAP-HINGE HOLE	W07,ABS,T2,-,-,-,-	2	SNA	A0549
6	DA67-00429A	CAP-SCREW	BCD-133WB,ABS,A2000901B5	1	SNA	A0270
7	DA61-03685A	HINGE-UP	W07,SCP1,T4,-,-,-,-,PAINT ZN	1	SNA	M0488
8	DA66-00500A	SHAFT HINGE	W07,SM45C,-,-,-,-,M6	1	SNA	0
9	DA61-02049A	FIXER-SCREW	SSEC,ZPC(WHT),BOLT,6*16	6	SNA	0
10	DA61-03688A	HINGE-MID	W07,SCP1,T4,-,-,-,-,PAINT Cr	1	SA	A0831
11	6002-001341	SCREW-TAPPING	BH,+,-,1,M4,L16,DACRO,SWRC	1	SNA	G0412
12	DA61-04391A	REINF CABI LEG	SBS,2007GVE,SCP1,T1.5	1	SA	0
13	DA60-10124A	SCREW-HEX	HWH,-,-,M6,L16,ZPC(WHT,YEL),SW	7	SNA	T0072
14	DA61-00851A	LEG-FRONT	BCD-230FBN,PP+MSWR10	2	SA	Z1128
15	DA97-05489A	ASSY HINGE LOW	RL34,T3,-,-,-,-,PAINT ZN	1	SA	A0515
16	DA61-02972A	FIXER HINGE-LOW	CTA,FE1018,M5,L10,-,-	1	SNA	0
17	DA61-03673A	STOPPER HINGE-LOW	W07,POM,-,-,-,-,-	1	SNA	0
18	DA90-04051A	ASSY BASE COMP	RL34,SGCC,T1	1	SA	Z1148
19	DA92-00280A	ASSY PCB MAIN	SEMI,W07,127*100mm	1	SA	A0952
20	DA63-03794D	COVER PCB-MAIN	W07,ABS,T2,5VA,ANTI-BURNI	1	SA	Z1143
22	6002-001341	SCREW-TAPPING	BH,+,-,1,M4,L16,DACRO,SWRC	1	SNA	G0412
24	DA63-01834E	TRAY WATER-DRAIN	W07,2010GVE,PP,BLACK,RE	1	SA	Z1150
25	DA97-10583B	ASSY CASE JUNCTION	W07,SEMI-EE,LED LAMP,	1	SA	A0249
25-1	6501-000123	CABLE TIE	DACT-140,-,-,3.6,146,WHT(NTR),NY	1	SNA	0
25-5	DA26-00036A	TRANS POWER	-,W07,-,-,240V,16V,0.35A,-,5	1	SA	Z1149
25-6	DA39-00196C	CBF-POWER CORD	EU,UCP-2,STRIP & RING TER	1	SA	A0273
25-7	DA39-00282N	WIRE HARNESS-RELAY	RL34S,R600a,6PINS,L24	1	SC	A0574
25-8	DA61-03682C	CASE JUNCTION	W07,ABS,TC100V,5VA,big cap	1	SA	A0250
26	6002-001341	SCREW-TAPPING	BH,+,-,1,M4,L16,DACRO,SWRC	1	SNA	G0412
27	DA60-20008A	BOLT-HEX	SWCH45K,WHITE,ZPC	4	SA	A0564
28	DA34-10004A	RELAY PROTECTOR O/L	4TM189PHBYY-53,ST 5.	1	SA	A0575
29	DA35-00103D	RELAY-PTC THERMISOR	PTHMT330MD3,33ohm 38	1	SA	M0206
30	MSE4A0QL1U/CF1	COMPRESSOR	SCR,10.68CC,220-240V,STAITC	1	SA	0
31	DA63-02617A	GROMMET COMP	USP05,EPDM,OD27.0,BLACK	4	SA	Z1112
32	DA35-00103D	COVER RELAY	PTHMT330MD3,33ohm 38	1	SA	M0206
33	DA63-03784F	COVER COMP	W07,2010GVE,PP,BLACK,SCRAP	1	SA	Z1131