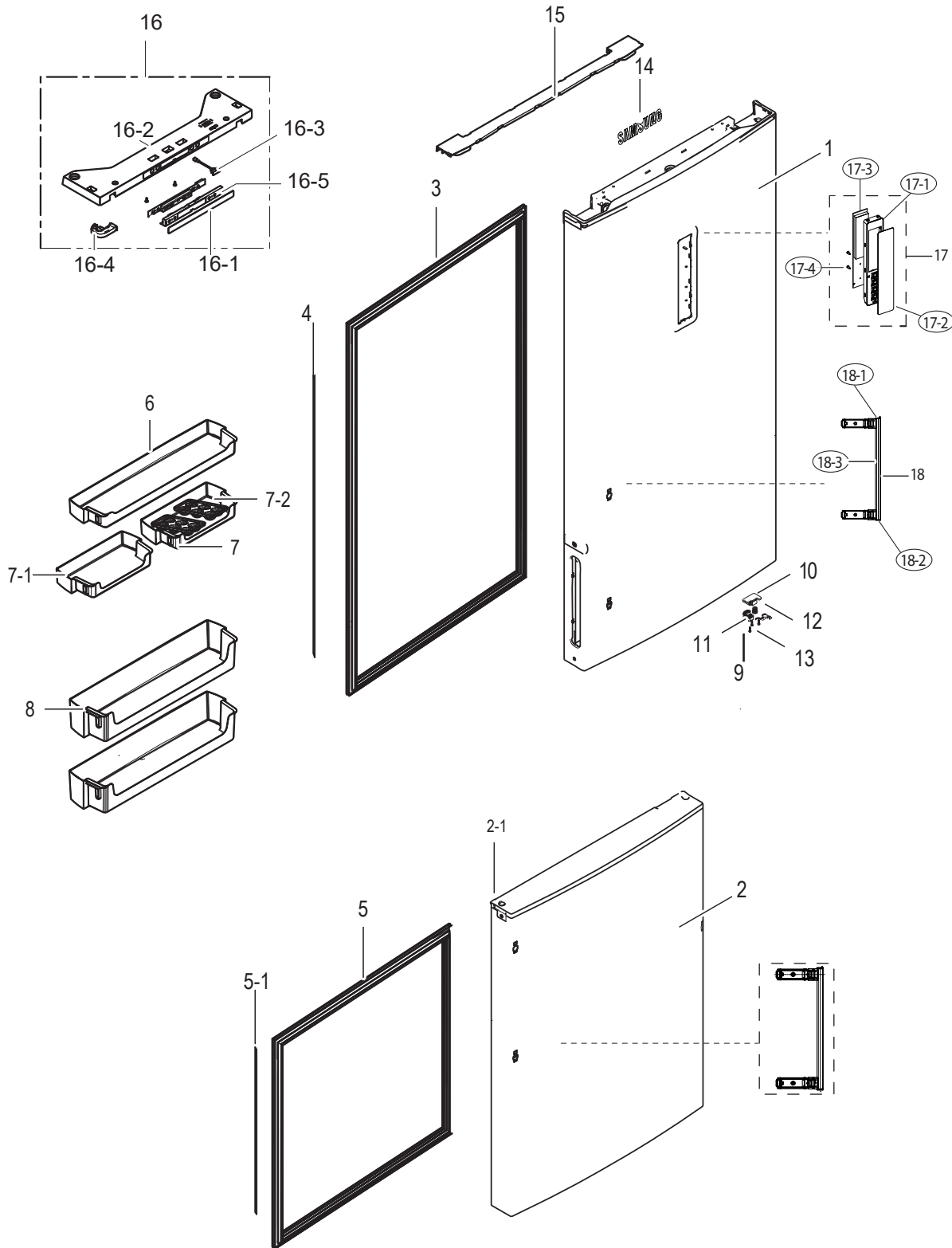


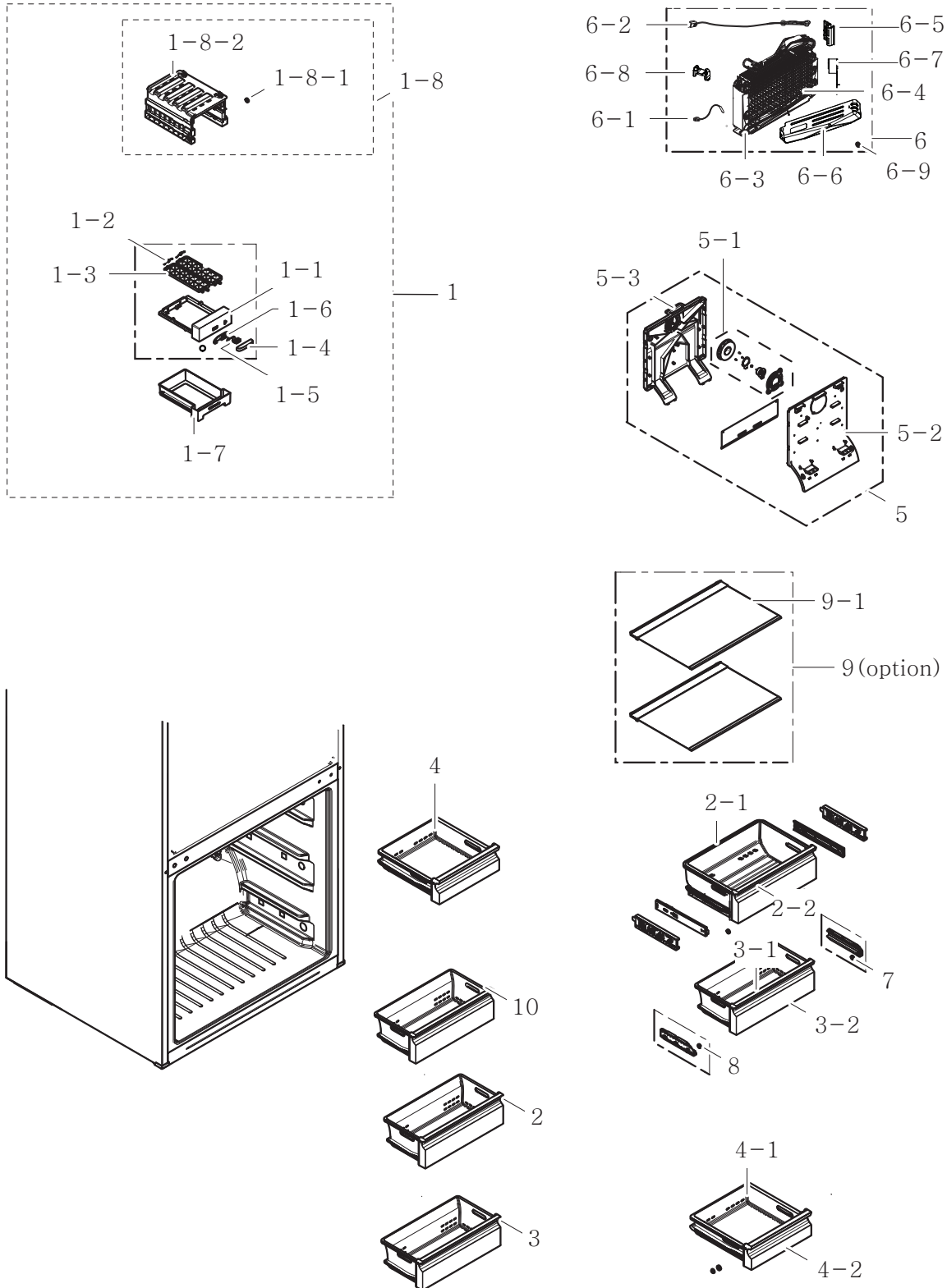
Door compartment



PART LIST OF DOOR : RL4352LBASP/EF

No.	Code No.	Lvl.	Loc.	Description	Specification	Qty	SA/SNA
1	DA91-04410X	2	Z1100	ASSY DOOR FOAM-REF	RL43,NEW VCM,HANDLE_E	1	SA
2	DA91-04780X	2	M0063	ASSY DOOR FOAM-FRE	RL43,NEW VCM,HANDLE_E	1	SA
2-1	DA67-03149N	4	-	CAP HINGE-HOLE	BAROSA,ABS,ABS2100,INOX G	1	SA
3	DA97-13186A	2	-	ASSY-GASKET DOOR	BAROSA,SF-PVC,W645,L945	1	SA
4	DA61-03769A	4	A0534	MAGNET-A	HERMES,FERRITE,1600Gauss	1	SA
5	DA97-21423C	2	-	ASSY GASKET-FRE	BAROSA,RL43,SF-PVC,W645,	1	SA
6	DA63-07177B	2	Z1011	GUARD-REF UPP	BAROSA,GPPS,W584.5,L50,TP	1	SC
7	DA97-19012K	2	-	ASSY GUARD VARIETY	RL40/43,HOT STAMPING,	1	SA
7-1	DA63-07162B	2	A0211	GUARD-VARIETY	BAROSA,GPPS,W288.1,L65.8,T	1	SC
7-2	DA63-07346A	3	A0656	TRAY EGG	3050,GPPS,HB,TP BLUE,165N,HI-I	2	SA
8	DA63-07161B	2	Z1010	GUARD-BOTTLE	BAROSA,GPPS,W584.5,L100,TP	2	SC
9	DA63-07329A	4	A0827	GROMMET HINGE	BAROSA,PA66,17,NATURAL	4	SA
10	DA61-03672A	4	A0640	STOPPER DOOR	BAROSA,PK,M33R3A000,COOL WH	1	SA
11	DA61-08570A	4	A0551	BRACKET-STOPPER DOOR	BAROSA-PJT,PO-SPHC,	1	SA
12	DA61-08650A	4	A1017	STOPPER-DOOR REF LOW	BAROSA-PJT,PK,M33R3	1	SA
13	DA67-03149N	4	-	CAP HINGE-HOLE	BAROSA,ABS,ABS2100,INOX G	1	SA
14	DA64-04020A	3	M0196	MASCOT	All,Ni	1	SA
15	DA63-07173E	2	-	COVER CAP DOOR-UP	BAROSA,ABS,INOX GRAY,A	1	SA
16	DA97-12996G	2	-	ASSY CAP TABLE	BAROSA,INOX GRAY	1	SA
16-1	DA64-03910J	3	A0566	INLAY-DISPLAY	BAROSA-PJT,PC,T0.38,BLACK	1	SNA
16-2	DA67-03485E	3	-	CAP TABLE	BAROSA,ABS,ABS2100,INOX GRAY	1	SA
16-3	DA34-00043J	3	-	SWITCH REED	UL1007 AWG 22,50mm	1	SA
16-4	DA67-03124H	3	-	CAP HOLE-HINGE UPP	RT6500M,ABS,HB,ABS210	1	SA
16-5	DA92-00178K	3	G0069	ASSY PCB KIT LED	LED DISPLAY,BAROSA,197*	1	SA
17	DA97-12958B	2	A0626	ASSY COVER CONTROL	BAROSA-PJT,CREAMY-ST5	1	SA
17-1	DA63-06516E	3	A1196	COVER-CONTROL	CORE11,ABS,HB,CREAMY STS,H	1	SNA
17-2	DA64-03910J	3	A0566	INLAY-DISPLAY	BAROSA-PJT,PC,T0.38,BLACK	1	SNA
17-3	DA92-00178K	3	G0069	ASSY PCB KIT LED	LED DISPLAY,BAROSA,197*	1	SA
17-4	6002-000213	3	G0412	SCREW-TAPPING	TH,+ ,1,M4,L12,ZPC(WHT),SWR	11	SNA
18	DA97-15092C	2	A0553	ASSY HANDLE	GRAN-CRU,VERSAILLES ALUMINU	2	SC
18-1	DA61-10266C	3	-	SUPPORT HANDLE-UP	GRAN_CRU,ABS,HB,HG-076	2	SNA
18-2	DA61-10267C	3	-	SUPPORT HANDLE-LOW	GRAN-CRU,ABS,HG-0760G	2	SNA
18-3	DA64-03925C	3	A0556	HANDLE-BAR	GRAN CRU,Al,T1,VERSAILLES ALU	2	SNA

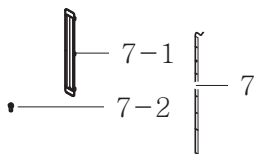
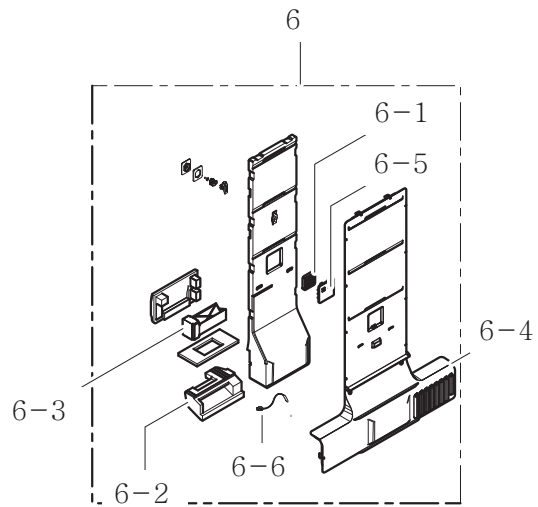
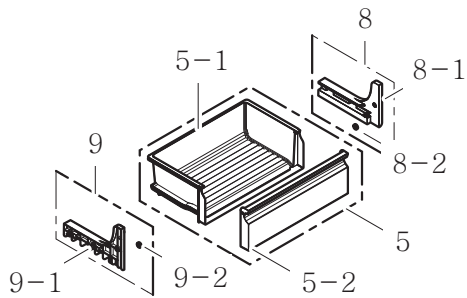
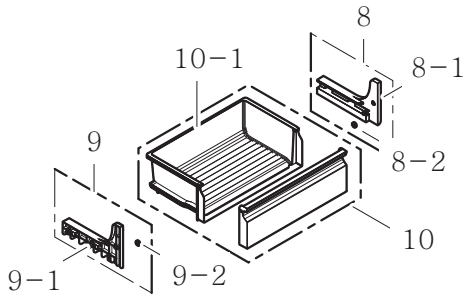
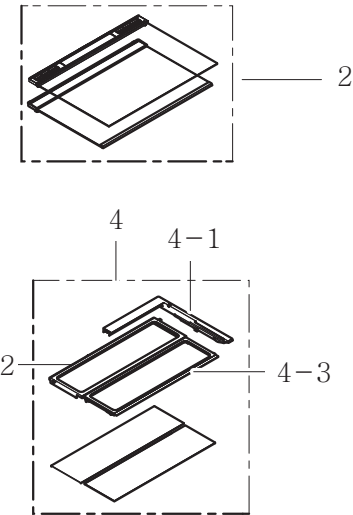
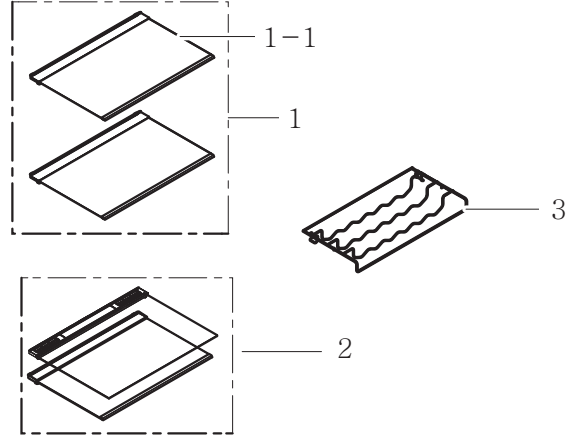
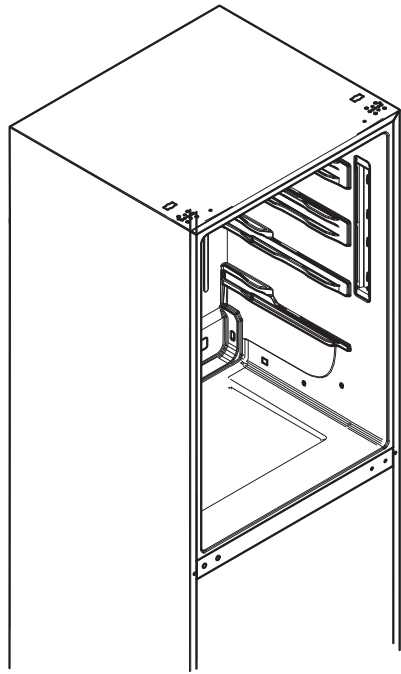
Freezer compartment



PART LIST OF FREEZER : RL4352LBASP/EF

No.	Code No.	Lvl.	Loc.	Description	Specification	Qty	SA/SNA
1	DA97-13313A	2	A0105	ASSY TRAY ICE	BAROSA	1	SA
1-1	DA61-08748A	3	A0718	CASE-TRAY ICE	BAROSA,HIPS,COOL WHITE,ATE	1	SA
1-2	DA61-20136A	3	-	SPRING ETC-ICE MAKER	SR-53EA,STS304,COIL	2	SA
1-3	DA63-07147A	3	A0120	TRAY ICE	CULLINAN PJT,PP,HB,COOL WHITE	2	SA
1-4	DA64-04255B	3	A0118	KNOB-TRAY ICE	BAROSA,HIPS,COOL WHITE	1	SA
1-5	DA66-00977A	3	-	LEVER-TRAY ICE KNOB	ROSSO,PA66,A205F,NAT	1	SA
1-6	DA66-00978A	3	M0434	LEVER-TRAY ICE	Cullina PJT,POM,F20-03,NA	1	SA
1-7	DA63-06386A	2	A0716	TRAY ICE-CUBE	GRAND-CRU,GPPS,HB,TP BLUE,	1	SA
1-8	DA97-13333A	2	-	ASSY SHELF FRE-UPP	BAROSA	1	SA
1-8-1	DA71-20252A	2	-	FIXER-GROMMET DOOR	SR-5302,ABS,WHITE,SR-	3	SA
1-8-2	DA67-03472A	3	G0254	SHELF-FRE UPP	BAROSA RL40/43,HIPS,W223.4	1	SA
2	DA97-13117B	2	-	ASSY TRAY-FRE MID	BAROSA,TP BLUE,ROLLER,	1	SA
2-1	DA61-08614A	3	-	CASE-TRAY FRE MID	PP,COOL WHITE,P740J	1	SNA
2-2	DA63-07218B	3	-	COVER-TRAY FRE	BAROSA,GPPS,HB,TP BLUE,65	2	SNA
3	DA97-13118B	2	G0267	ASSY TRAY-FRE LOW	BAROSA,TP BLUE,HOT-STA	1	SC
3-1	DA61-08612A	3	G0260	CASE-TRAY FRE LOW	BAROSA,PP,COOL WHITE,P	1	SNA
3-2	DA63-07218B	3	-	COVER-TRAY FRE	BAROSA,GPPS,HB,TP BLUE,65	2	SNA
4	DA97-13113B	2	G0255	ASSY CASE-MINI BASKET	BAROSA,HOT-STAMPIN	1	SC
4-1	DA61-08613A	3	G0256	CASE-MINI BASKET	BAROSA,PP,COOL WHITE,P7	1	SNA
4-2	DA63-07200B	3	G0257	COVER-MINI BASKET	BAROSA,GPPS,HB,TP BLUE	1	SNA
5	DA97-13334A	2	M0303	ASSY COVER EVAP-FRE	BAROSA,RL43	1	SA
5-1	DA31-00334A	3	-	MOTOR BLDC FAN	12035GE-12M-YT-F1,1775±7%	1	SA
5-2	DA63-07260A	3	A0665	COVER EVAP-FRONT	BAROSA,PP,HB,NATURAL,BJ	1	SNA
5-3	DA63-07261A	3	G0236	COVER EVAP-REAR	BAROSA,PP,NATURAL,BJ750,	1	SNA
6	DA96-00977E	2	A0163	ASSY EVAP-FRE	BAROSA,Fin Tube,230V,200W,	1	SA
6-1	DA32-10105V	3	A1018	SENSOR TEMP	502AT, DKST1329GW, PX-41C,N	1	SA
6-2	DA47-00301D	3	A1008	THERMO FUSE-ASSY	AC250V,10A,109~110°C,S.O	1	SA
6-3	DA47-00457C	3	-	HEATER METAL SHEATH	AC230V,NEW IEC,200W,	1	SA
6-4	DA59-00546A	3	A0742	EVAP FRE	Fin Tube,BAROSA,1,A1070,8,A110	1	SNA
6-5	DA61-05160A	3	A0744	FIXER FUSE	CULLI_09,PP,T2,NATURAL,HB,BJ7	1	SA
6-6	DA61-08578A	3	A0754	PLATE-DRAIN	BAROSA,GL-SAZCC,T0.3	1	SA
6-7	DA61-08629A	3	-	FIXER-SHEATH HEATER	Barosa,Al,T0.8	1	SA
6-8	DA61-08634A	3	G0205	FIXER-HEATER FRE	BAROSA,PBT+GF30%,NATURA	1	SA
6-9	DA63-05470A	4	-	COVER SENSOR-FRE	AW3,HIPS,COOL WHITE,HG-	1	SA
7	DA97-13164A	3	-	ASSY RAIL-BASKET R	BAROSA,NATURAL	3	SA
8	DA97-13163A	3	-	ASSY RAIL-BASKET L	BAROSA,NATURAL	2	SA
10	DA97-13114B	2	M0121	ASSY TRAY-FRE UPP	BAROSA,TP BLUE,HOT-STA	1	SA

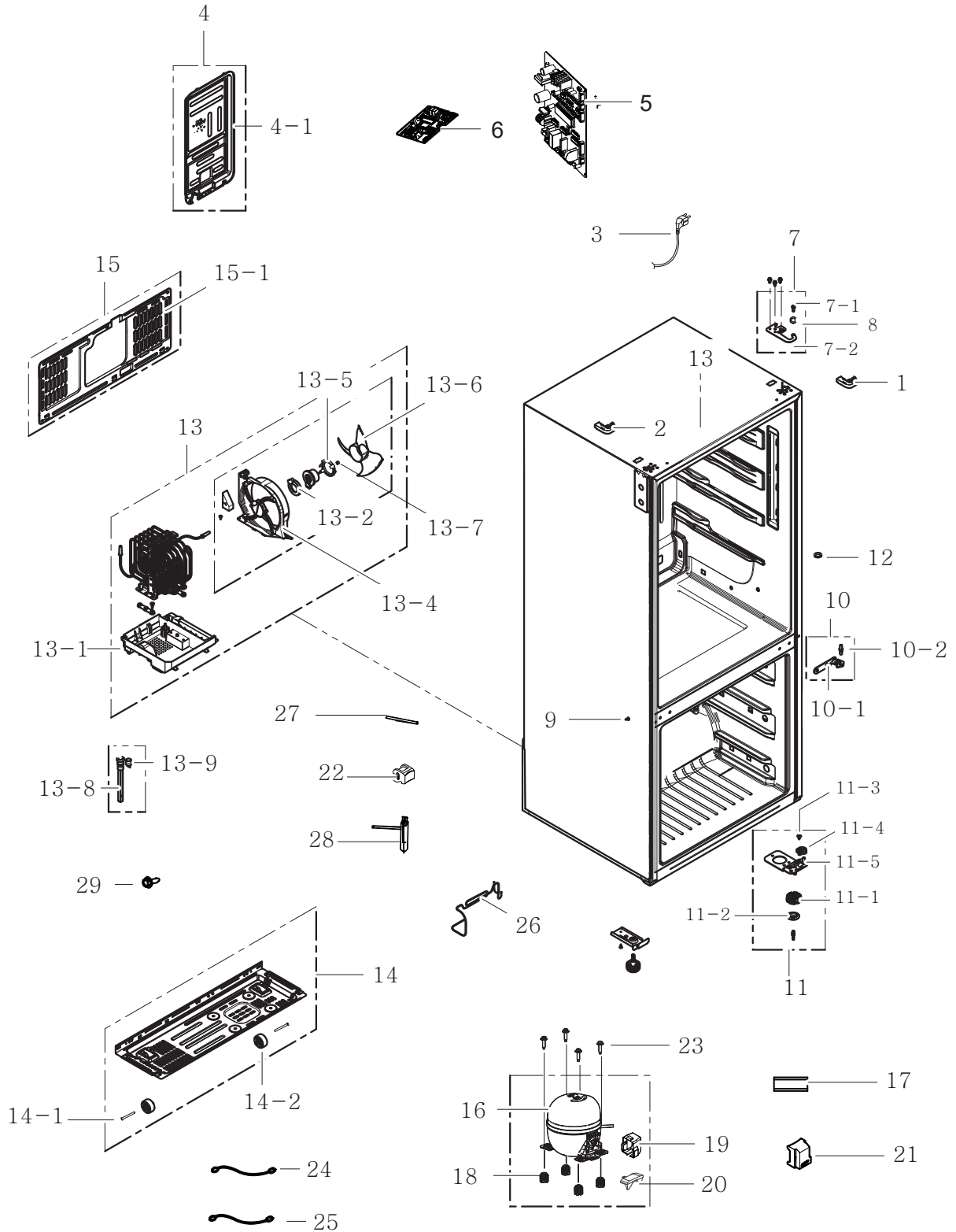
Fridge compartment



PART LIST OF FRIDGE : RL4352LBASP/EF

No.	Code No.	Lvl.	Loc.	Description	Specification	Qty	SA/SNA
1	DA97-13167H	2	-	ASSY SHELF REF GLASS	BAROSA,H/S	4	SA
1-1	DA64-05936A	3	-	GLASS-SHELF REF	BAROSA,GLASS,T3.2,W389.5	4	SNA
3	DA75-00284A	2	G0076	RACK WINE	BAROSA,-,MSWR70,-,-,-,-	1	SA
5	DA97-13111B	2	M0300	ASSY CASE VEG-LOW	BAROSA,HOT-STAMPING	1	SC
5-1	DA61-08551A	3	M0268	CASE-VEG LOW	BAROSA,PP,COOL WHITE,P740J,	1	SNA
5-2	DA63-07230D	3	G0080	COVER-TRAY FRE MID	BAROSA,GPPS,HB,TP BLU	1	SNA
6	DA97-12876A	2	G0239	ASSY COVER MULTI-REF	BAROSA	1	SA
6-1	DA02-90106R	3	G0513	CATALYST-LTC	T5,W40,L40,AI203-SiO2	1	SA
6-2	DA31-00043F	3	G0242	MOTOR GEARED DC DAMPER	NSBA001TF1,DC 12V	1	SA
6-3	DA61-06851A	3	-	FIXER-COVER DAMPER	POLARIS,POM,NATURAL,K	1	SA
6-4	DA63-07149A	3	A0689	COVER-MULTI REF	BAROSA,PP,T2,COOL WHITE,	1	SC
6-5	DA63-07224A	3	-	COVER-DEODORIZER	BAROSA,PP,T2,NATURAL,BJ	1	SA
6-6	DA32-10109V	4	-	SENSOR TEMP	-,A-TOP,-,5V,-,-,EXT-SENSOR,	1	SA
7	DA41-00676D	2	G0090	ASSY LAMP LED	4ea,FR-4,353*10,WHITE,SMAW	2	SA
7-1	DA63-06795B	2	A0280	COVER LAMP	BAROSA,SBC,HB,NATURAL,KR01	2	SA
7-2	6002-000630	3	G0412	SCREW-TAPPING	PH,+,NO,2S,M3,L8,ZPC(WHT),	2	SA
8	DA97-13144A	2	-	ASSY RAIL-VEG LOW L	BAROSA,COOL WHITE	1	SA
8-1	DA63-07155A	3	-	RAIL-VEG LOW L	BAROSA,HIPS,2.2mm,208.2mm	1	SNA
8-2	DA66-10104A	4	-	ROLLER-FRE	POM,D22,NATURAL	7	SC
9	DA97-13145A	2	-	ASSY RAIL-VEG LOW R	BAROSA,COOL WHITE	1	SA
9-1	DA63-07156A	3	-	RAIL-VEG LOW R	BAROSA,HIPS,208.2mm,331mm	1	SNA
9-2	DA66-10104A	4	-	ROLLER-FRE	POM,D22,NATURAL	7	SC
10	DA97-13112B	2	A0205	ASSY CASE VEG-HIGH	BAROSA-PJT,HOT STAMPI	1	SA
10-1	DA61-08552A	3	A0677	CASE-VEG HIGH	BAROSA,PP,W352.8,L574,COOL	1	SA
11	DA97-13146A	2	-	ASSY RAIL-VEG HIGH L	BAROSA,COOL WHITE	1	SA
11-1	DA66-10104A	4	-	ROLLER-FRE	POM,D22,NATURAL	7	SC
12	DA97-13162A	2	-	ASSY RAIL-VEG HIGH R	BAROSA,COOL WHITE	1	SA
12-1	DA66-10104A	4	-	ROLLER-FRE	POM,D22,NATURAL	7	SC

Cabinet compartment



PART LIST OF CABINET : RL4352LBASP/EF

No.	Code No.	Lvl.	Loc.	Description	Specification	Qty	SA/SNA
1	DA67-03459E	2	-	CAP HINGE-UP RIGHT	RT6500M,PP,HB,P740J,I	1	SA
2	DA67-03460E	3	-	CAP HINGE-UP LEFT	RT6500M,PP,HB,P740J,IN	1	SA
3	3903-000794	2	A0273	POWER CORD-AT	H05VV-F 3x0.75mm2,BLK,EU3F	1	SA
4	DA97-13034A	2	M0306	ASSY COVER-PCB PANEL	BAROSA,H17.5,225.0,	1	SA
4-1	DA63-07152A	3	-	COVER-PCB PANEL	BAROSA,EGI-SECC,T0.5	1	SA
5	DA92-00425A	2	A0952	ASSY PCB MAIN	7-SEG,BAROSA,197*123,12V,	1	SA
6	DA92-00228K	2	-	ASSY PCB INVERTER	INVERTER,BAROSA,148*98	1	SA
7	DA97-13026A	2	M0346	ASSY HINGE-UPP	BAROSA-PJT,BLACK	1	SA
7-1	DA61-08574A	3	A0240	HINGE-UPP	BAROSA-PJT,PO-SPHC,T4,-,-,-,-	1	SA
7-2	DA66-00999A	4	A0518	SHAFT-HINGE	BAROSA,SWRCH10A,BLACK	1	SA
8	DA63-07176A	2	-	SHIM-WASHER LOW	BAROSA-PJT,POM,T2.5,OD13	1	SA
9	DA67-05096A	2	-	CAP SCREW-MIDDLE	BAROSA,PP,P740J,SNOW WH	2	SA
10	DA97-13027C	2	-	ASSY HINGE-MIDDLE	BAROSA,T6.5	1	SA
10-1	DA61-08879B	3	-	HINGE-MIDDLE	BAROSA,Zn,T6,-,-,-,-,ZNDC2,	1	SNA
10-2	6002-000292	3	G0412	SCREW-TAPPING	PH,+,-,1,M5,L12,ZPC(WHT),SWR	1	SA
10-3	DA67-03718A	2	-	CAP SCREW	3050,PP,BJ750,INOX GRAY	1	SA
11	DA97-13028A	3	M0344	ASSY HINGE-LOW	BAROSA-PJT,T4.0,BLACK	1	SA
11-1	DA61-07908A	3	A0577	FOOT-FRONT	TD,PP,BLACK,0103-007539,COPO,	1	SA
11-2	DA61-07973B	4	A0863	FOOT	POLARIS,PP,BLACK,PP_S,0103-007	1	SA
11-3	DA66-00999A	4	A0518	SHAFT-HINGE	BAROSA,SWRCH10A,BLACK	1	SA
11-4	DA61-08569A	4	A0516	GUIDE-AUTO CLOSE	BAROSA-PJT,POM,500P,NAT	1	SA
11-5	DA61-08577A	4	A0247	HINGE-LOW	BAROSA-PJT,PO-SPHC,T4,-,-,-,-	1	SA
11-6	DA81-01532A	4	A0848	SCREW-MACHINE	BH,+,-,M5,L12.7,ZPC(WHT),SWR	1	SA
12	6031-001617	2	-	WASHER-PLAIN	STS304,-,ID9.0,OD16,T0.5,-,-	1	SA
13	DA97-19606A	2	A0529	ASSY TRAY DRAIN WATER	BAROSA,PFC-C	1	SA
13-1	DA63-09349A	3	Z1023	TRAY DRAIN-WATER	BAROSA,PP,T2,BLACK,PFC	1	SA
13-2	DA63-07323A	3	-	GROMMET-IMMERSION PIPE B	ROMANEE CONTI,N	2	SA
13-3	DA61-10693A	3	-	BRACKET CONDENSER-LOW	RB7300T,Al,T1.6	1	SNA
13-4	DA97-15765C	3	M0116	ASSY SUPPORT-CIRCUIT MOTOR	RH9000K	1	SA
13-5	DA31-00340A	4	-	MOTOR BLDC FAN	RMF002ASSA,1120 rpm,12V,0	1	SNA
13-6	DA31-00320A	5	A0769	FAN	HM12,ABS+GF10%,GR-4010/NTR	1	SC
13-7	DA61-20128A	5	A0768	SPRING ETC-FAN	STS304,PI8.8,ID7.8,OD9.8,	1	SA
13-8	DA97-04049N	2	M0067	ASSY CAP-DRAIN	EPEL,ASSY,SOFT-PVC	1	SA
13-9	DA63-06727A	3	G0202	GROMMET-DRAIN HOSE	TD,NBR,WHITE	1	SA
14	DA97-13259B	2	A0526	ASSY CHASSIS COMP	BAROSA,HOLE GUIDE	1	SA
14-1	DA60-90146A	3	A0861	PIN-CASTER	SR-289-429,MSWR10,L38,ZPC2	2	SA
14-2	DA61-40126B	3	A0527	CASTER-REAR	REF-ALL,PP,PI 44,NATURAL,W22	2	SA
15	DA97-13252A	2	M0076	ASSY COVER COMP	BAROSA,GL,T0.25 EMBO,DOU	1	SA
15-1	DA63-07191A	3	Z1131	COVER COMP	BAROSA,GL-SAZCC,T0.25	1	SA
16	MSV4A1AL1R/TSJ	2	-	CMP,COMP,REFRIGERATOR,R600A	0	1	-
17	DA62-00960A	2	-	SEAL CUTT-RUBBER	RT5000K,RUBBER,BLACK,T3	1	SA
19	2301-000140	5	A0274	C-FILM,LEAD-PEF	10nF,10%,630V,TP,12.5x9.	2	SNA
20	3501-001154	3	M0205	RELAY-MINIATURE	12V,200mW,3000mA,1FormA,	1	SNA
22	DA27-00032A	2	M2000	COIL FILTER-EMI	8.0mH,60*82mm,AC 5A,0.47	1	SA
23	6009-001074	3	A0564	BOLT-HEX	M6,L16,ZPC(WHT),SWRCH18A,SEF	3	SNA
24	DA39-20389A	2	A0562	ASSY WIRE HARNESS-EARTH	EARTH,ALL,FREE V	1	SA
25	DA39-20389L	2	A0562	ASSY WIRE HARNESS-EARTH	EARTH,ALL,FREE V	1	SA
26	DA62-03796B	2	M0016	PIPE-CONNECT SUCTION	BAROSA,Cu,OD6.35,In	1	SA
27	DA73-00199B	2	Z1004	PIPE-PIPE CONNECT	Cu,OD6.35,T0.6	1	SA
28	DA62-04309C	2	A0669	DRYER	C1220T-H,L118,SINGLE MOUTH,Fd	1	SA
29	6002-000613	3	G0412	SCREW-TAPPING	TH,+,-,2,M5,L16,ZPC(WHT),S	4	SA