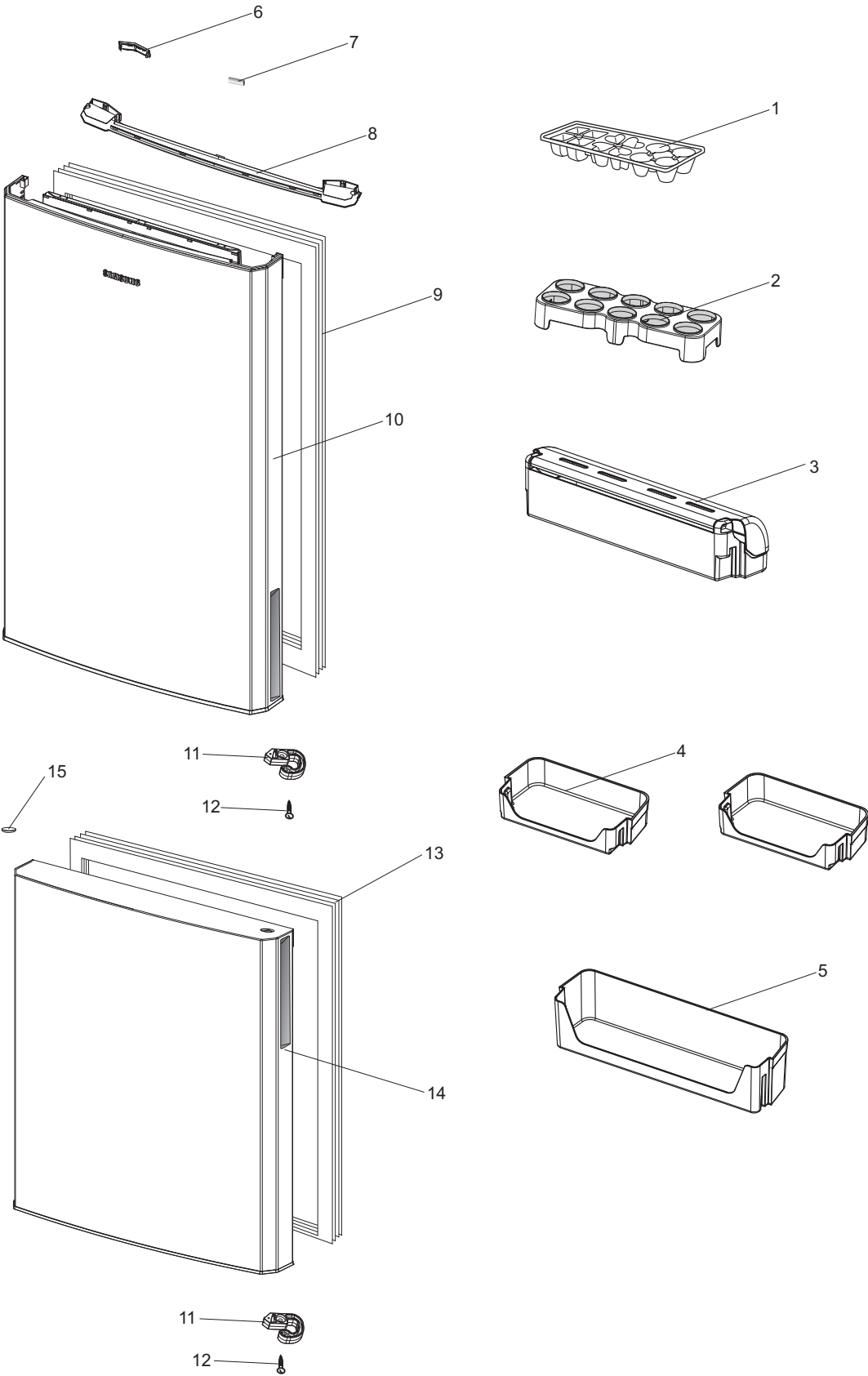
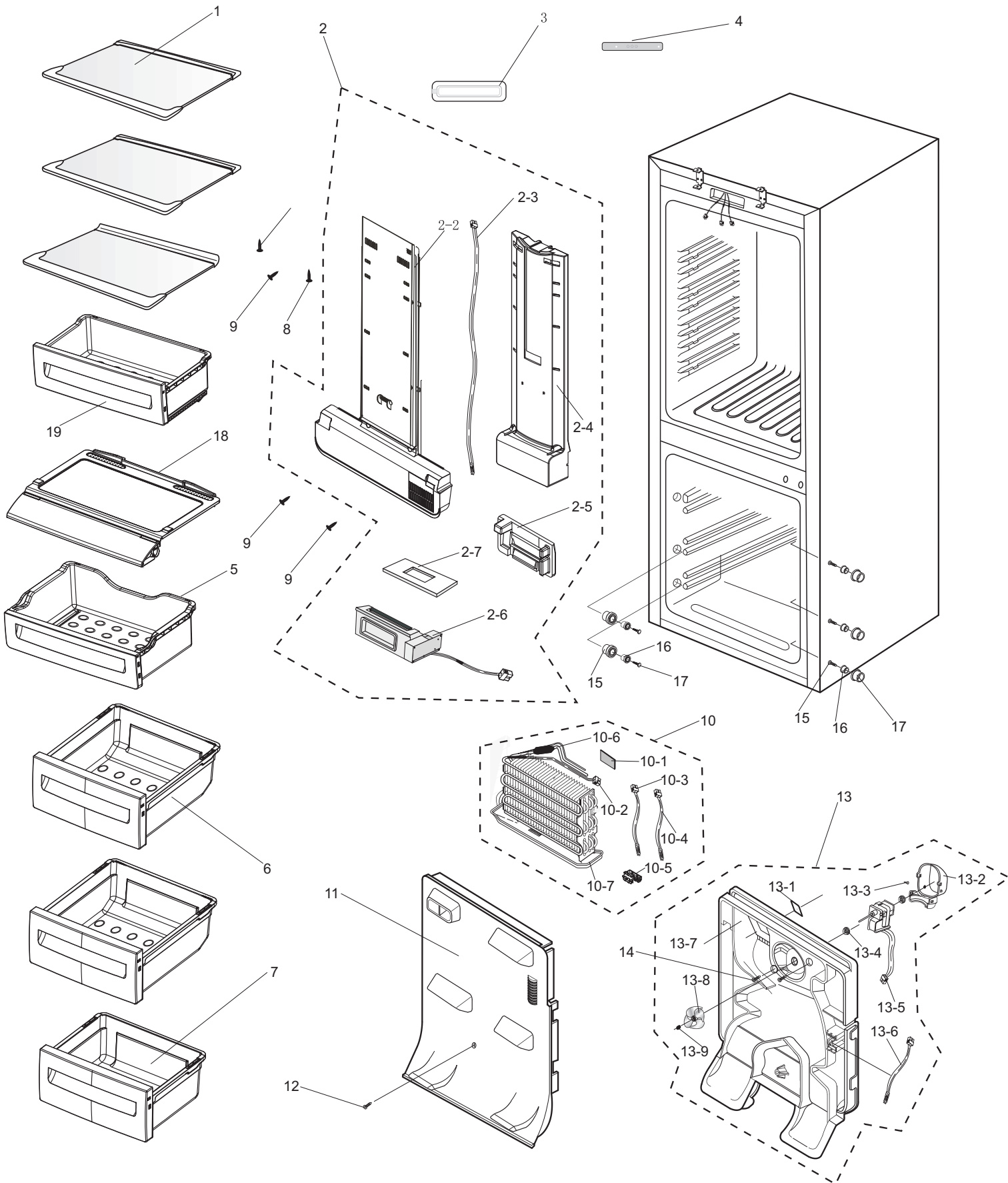


1. Disassembly of Door (RL42LCSW1/XES)



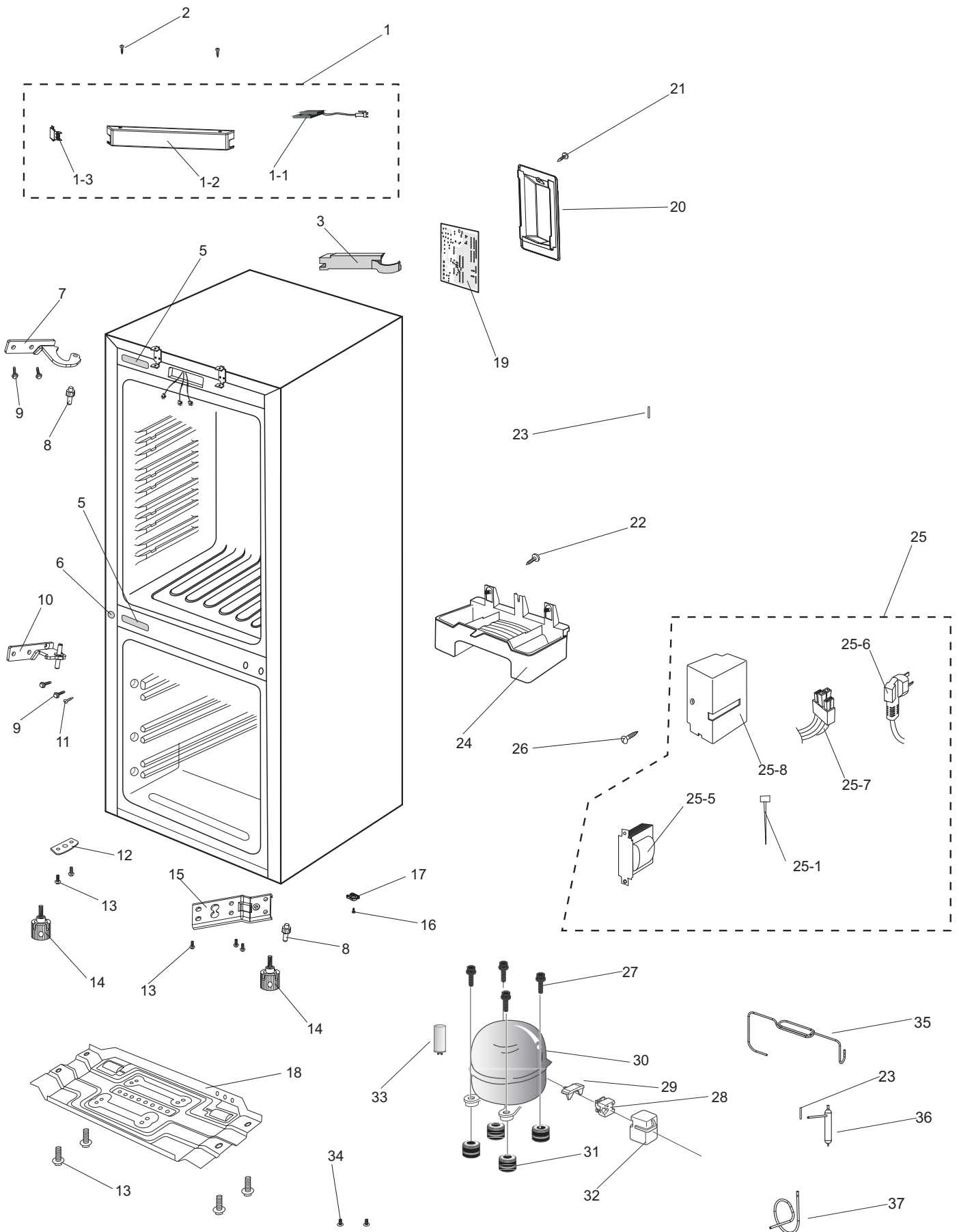
2 Fridge and Freezer (RL42LCSW1/XES)



■ Parts List

N0.	CODE NO	English Name	Specification	SA/SNA	Quantity	SVC NO
1	DA97-05405B	ASSY SHELF REF	GLASS+PP	SA	4	A0185
2	DA97-10598A	ASSY COVER MULTI	W07,RL40Z	SA	1	0
2-1	-	-	-	-	-	-
2-2	DA63-05682A	COVER-MULTI REF	W07,RL40Z,PP,W91527,M1600	SA	1	A0689
2-3	DA32-00012F	SENSOR TEMP-REF	502AT/PX-41C	SA	1	A0688
2-4	DA62-01841A	INSULATION-MULTI REF A	EPS	SNA	1	0
2-5	DA62-01843A	INSULATION-MULTI REF B	EPS	SNA	1	0
2-6	DA31-00218B	MOTOR DC-DAMPER	DC 12V	SA	1	G0242
2-7	DA62-01637C	SEAL-COVER MULTI LOW	OJC,WHITE,T10,W190,L86	SNA	1	0
3	DA63-05460A	COVER LAMP	CC,ABS,W35,L145	SA	1	A0280
4	DA41-00483A	ASSY PCB KIT LED	1.6W	SA	1	G0069
5	DA97-06512A	ASSY TRAY-CHILLED-ROOM	GPPS+PP	SA	1	M0314
6	DA97-05407B	ASSY TRAY-UP	GPPS+PP	SA	2	A0015
7	DA97-05408B	ASSY TRAY-LOW	GPPS+PP	SA	1	A0013
8	6002-001106	SCREW-TAPPING	4.2,L19,STS430	SNA	2	G0412
9	6002-001341	SCREW-TAPPING	M4,L16,SWRCH18A	SNA	3	G0412
10	DA96-00401P	ASSY EVAP-FRE	ASSY	SA	1	A0163
10-1	DA72-00088A	SEAL-BUTYL RUBBER	BUTYL-RUBBER,-,T3,W30,L80	SNA	1	0
10-2	DA47-00263F	HEATER DEFROST	250W,-,(A:220V,B:240V)	SA	1	A0753
10-3	DA47-00138E	THERMO FUSE	250V,10A,72C	SA	1	A0685
10-4	DA32-00012K	SENSOR TEMP-EVAP F	502AT/PX-41C	SNA	1	0
10-5	DA61-03716A	FIXER-SENSOR EVAP	PP	SNA	1	M9009
10-6	DA59-00364A	EVAP FRE	AL	SNA	1	A0742
10-7	DA67-00979B	DRAIN EVAP-FRE	SBHG1	SNA	1	0
11	DA97-05485D	ASSY COVER EVAP-FRONT	-	SA	1	A0661
12	6002-001341	SCREW-TAPPING	M4,L16	SNA	1	G0412
13	DA97-05485D	ASSY COVER EVAP-REAR	-	SA	1	A0661
13-1	DA62-01090B	SEAL DUCT	EPDM,BLACK,T8,W93,L95	SNA	1	0
13-2	DA61-01441A	CASE MOTOR	PP	SNA	1	0
13-3	DA63-40167A	GROMMET-COVER CHIL	SILICON	SNA	1	M2002
13-4	DA63-40115A	GROMMET-MOTOR	SILICON-RUBBER,BLK	SNA	2	A0218
13-5	DA31-00197F	FAN-MOTOR AC	6W,LIUSHENG(A:220V/B:240V)	SNA	1	Z1139
13-6	DA32-00012F	SENSOR TEMP-REF	502AT/PX-41C	SA	1	A0688
13-7	DA63-03787B	COVER EVAP-REAR	PP	SNA	1	G0236
13-8	DA31-00019A	FAN-PROPELLER	NTR	SA	1	Z1138
13-9	DA61-20128A	SPRING ETC-FAN	STS304	SNA	1	A0768
14	6002-001341	SCREW-TAPPING	M4,L16	SNA	2	G0412
15	DA66-00825A	ROLLER-TRAY,OUTER	PA66	SA	6	Z1140
16	-	-	-	-	-	-
17	DA60-10130B	SCREW-TAPPING	M4.2,L13	SA	-	G0412
18	DA97-06513B	ASSY COVER-CHILLED	ABS+PP+GLASS	SA	1	0
19	DA97-05407B	ASSY TRAY-UP	PP+GPPS	SA	1	A0015

3 Overall Assembly (RL42LCSW1/XES)



■ Parts List

N0.	CODE NO	English Name	Specification	SA/SNA	Quantity	SVC NO
1	DA90-04803A	ASSY COVER TOP-FRONT	ASSY	SA	1	Z1141
1-1	DA34-00046B	SWITCH-REED	220VDC	SA	1	Z1142
1-2	DA63-03792A	COVER TOP-FRONT	ABS	SNA	1	A0820
1-3	DA41-00483A	ASSY PCB KIT LED	ABS	SA	1	G0069
2	6002-001184	SCREW-TAPPING	M4,L12	SNA	2	G0412
3	DA61-03685A	HINGE-UP	ABS	SNA	1	M0488
4	-	-	-	-	-	-
5	DA67-01798A	CAP-HINGE HOLE	ABS,	SNA	2	A0549
6	DA67-00429A	CAP-SCREW	ABS,	SNA	1	A0270
7	DA61-03685A	HINGE-UP	SCP1	SNA	1	M0488
8	DA66-00500A	SHAFT HINGE	SM45C	SNA	2	0
9	DA61-02049A	FIXER-SCREW	5*20	SNA	4	0
10	DA61-03688A	HINGE-MID	SCP1,T4	SA	1	A0831
11	DA61-02049A	FIXER-SCREW	3.9,L16	SNA	1	0
12	DA61-04391A	REINF CABI LEG	SHP1	SNA	1	0
13	DA60-10124A	SCREW-HEX	M6,L16	SNA	9	T0072
14	DA61-00851A	LEG-FRONT	MSWR10	SA	2	Z1128
15	DA61-03689A	HINGE LOW	SCP1	SNA	1	A0247
16	DA61-02972A	FIXER HINGE-LOW	M5,L10	SNA	1	0
17	DA61-03673A	STOPPER HINGE-LOW	POM	SNA	1	0
18	DA90-04051A	ASSY BASE COMP	SBGH1	SA	1	Z1148
19	DA92-00280A	ASSY PCB MAIN	-	SA	1	A0952
20	DA63-03794D	COVER PCB-MAIN	ANTI-BURNING ABS	SA	1	Z1143
21	6002-001184	SCREW-TAPPING	SWRCH18A,-,1018	SNA	1	G0412

■ Parts List

N0.	CODE NO	English Name	Specification	SA/SNA	Quantity	SVC NO
22	DA60-10130B	SCREW-TAPPING	M4.2,L13	SA	1	G0412
23	-	-	-	-	-	-
24	DA63-01834E	TRAY WATER-DRAIN	PP	SA	1	Z1150
25	DA97-10583G	ASSY CASE JUNCTION	ASSY	SNA	1	A0249
25-1	6501-000123	CABLE TIE	W3.6,L203	SNA	1	0
25-5	DA26-00036A	TRANS POWER	240V,50-60Hz,16V,0.35A	SA	1	Z1149
25-6	DA39-00196C	CBF-POWER CORD	250V,16A	SA	1	A0273
25-7	DA39-00419C	WIRE HARNESS-RELAY	6PINS	SNA	1	A0574
25-8	DA61-03682D	CASE JUNCTION	PP,110V	SA	1	A0250
26	DA60-10130B	SCREW-TAPPING	M4.2,L9.5,ZPC(WHT)	SA	1	G0412
27	6011-001218	BOLT-HEX	DACT-140,-,3.6,146	SNA	4	A0564
28	DA35-00107A	RELAY PROTECTOR O/L	JIAXIPERA	SA	1	A0575
29	DA35-00106A	RELAY PTC	JIAXIPERA,TY-QZ-003	SA	1	A0668
30	DA59-00374A	COMPRESSOR	ZBX1115CY	SNA	1	A1024
31	DA63-00609A	GROMMET COMP	NBR,BLK,	SNA	4	Z1112
32	DA63-01967B	COVER RELAY	ZBS1115Y,NORYL	SNA	1	Z1032
33	DA81-01035A	CAPACITOR	HAOYUE,CBB65D	SA	1	Z1135
34	DA90-04071C	ASSY SCREW-OUTER	-	SNA	2	0
35	DA62-01655A	PIPE-IMMERSION	-	SNA	1	Z1151
36	DA62-01469H	DRYER	-	SA	1	A0669
37	DA62-01408A	PIPE SUCTION-CONN	-	SA	1	Z1130