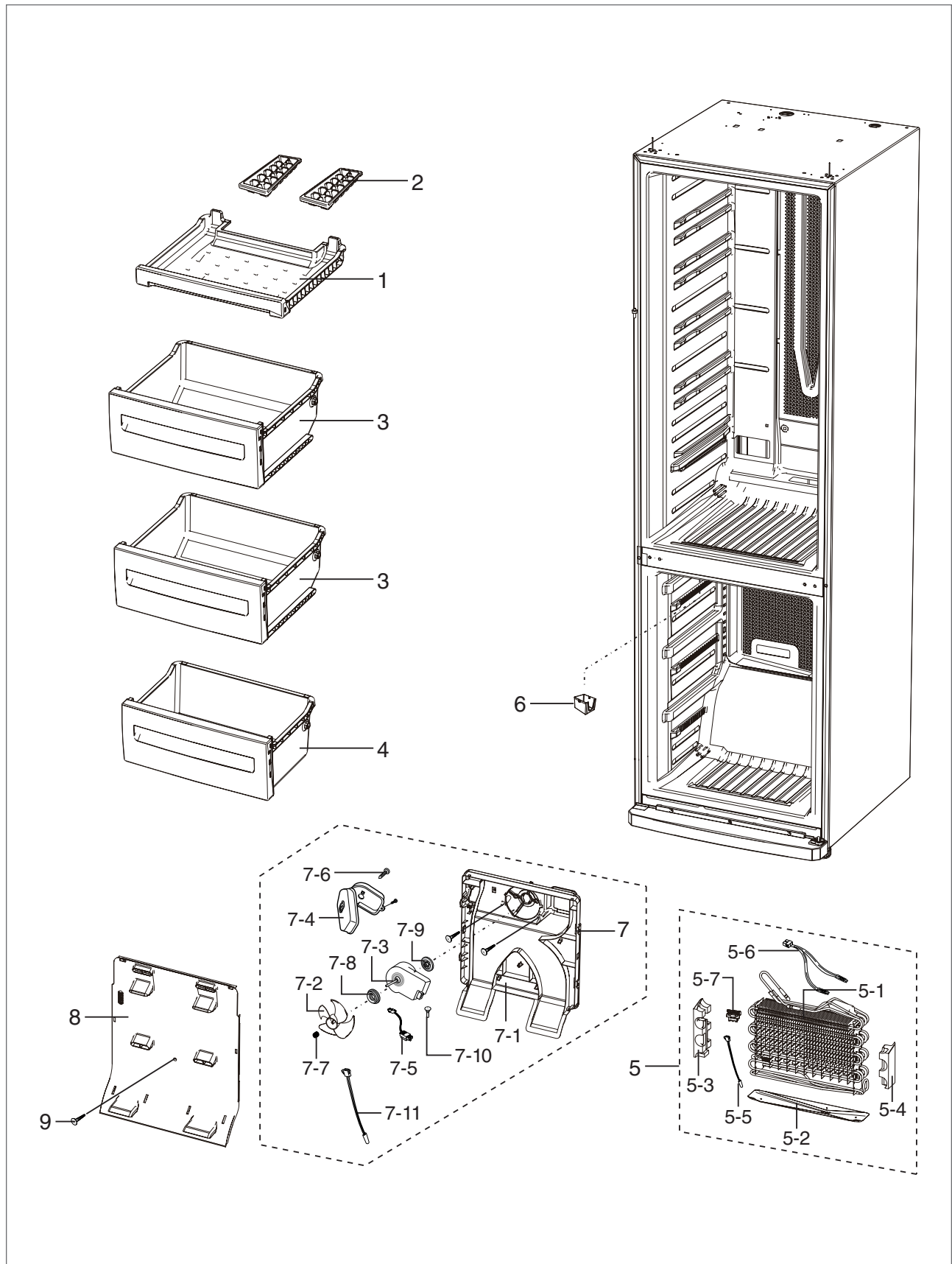


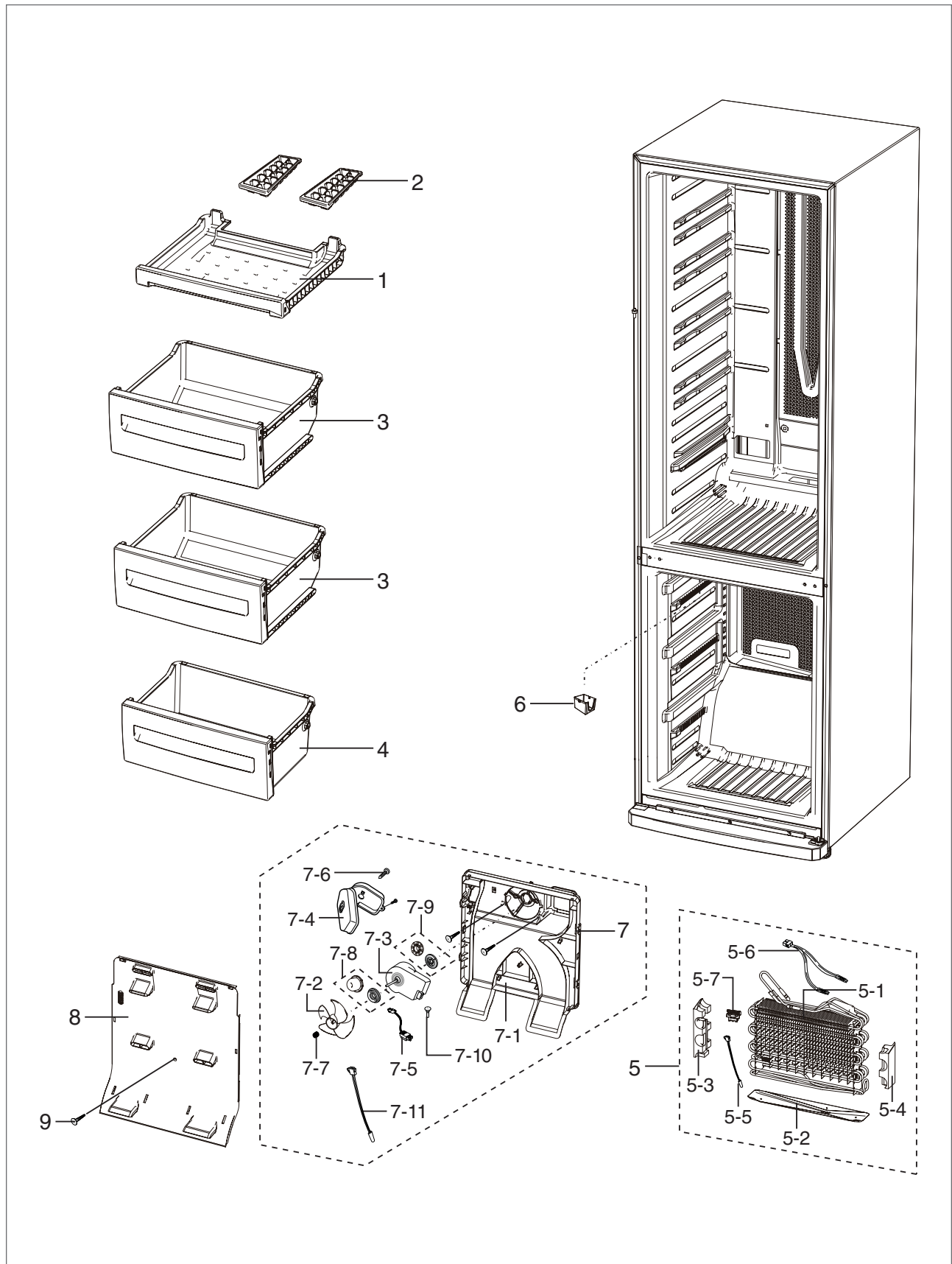
# ILLUSTRATED PARTS CATALOG

## 7-1) Freezer - LCD MODEL



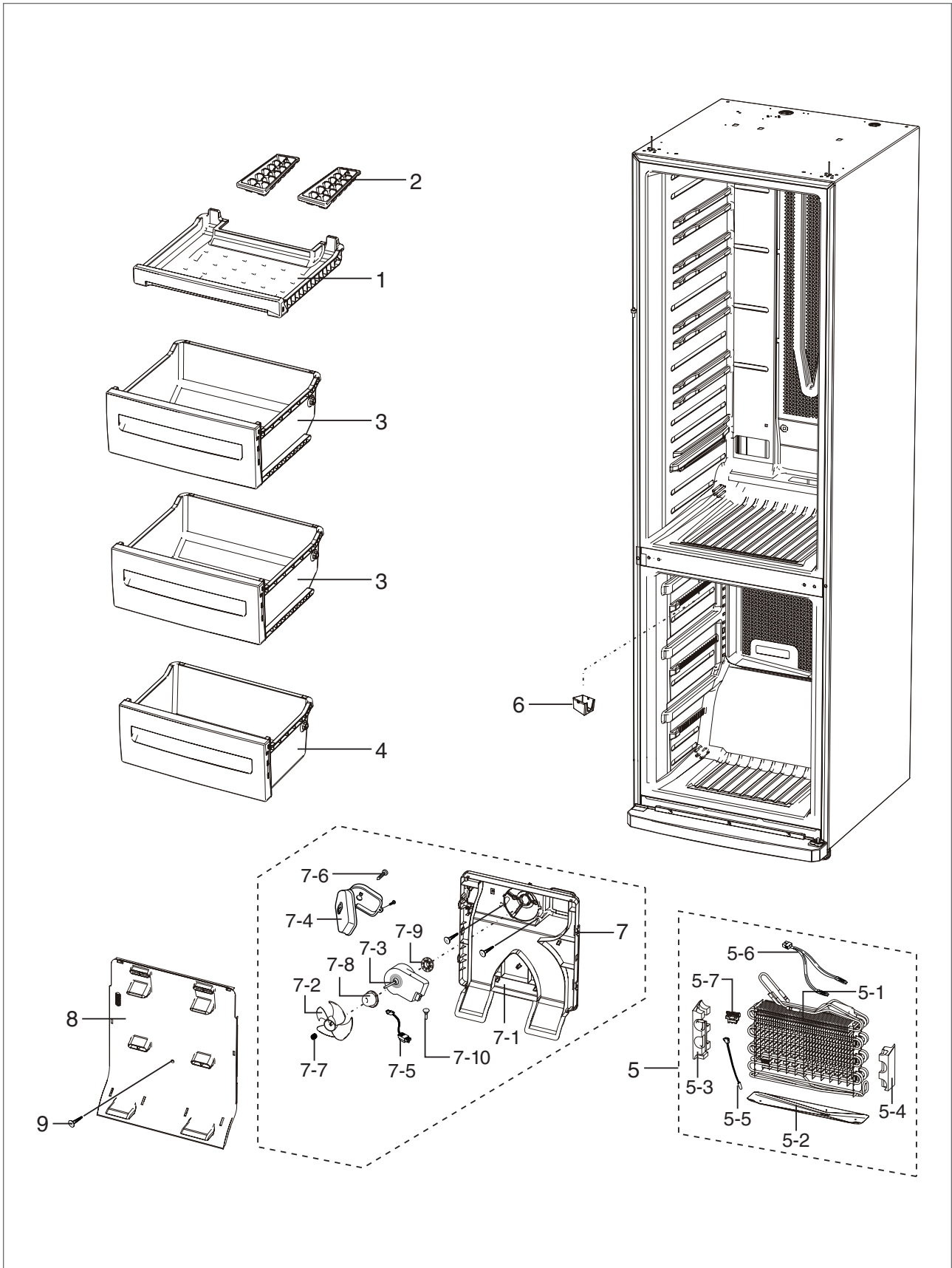
# ILLUSTRATED PARTS CATALOG

## 7-1) Freezer - LED MODEL



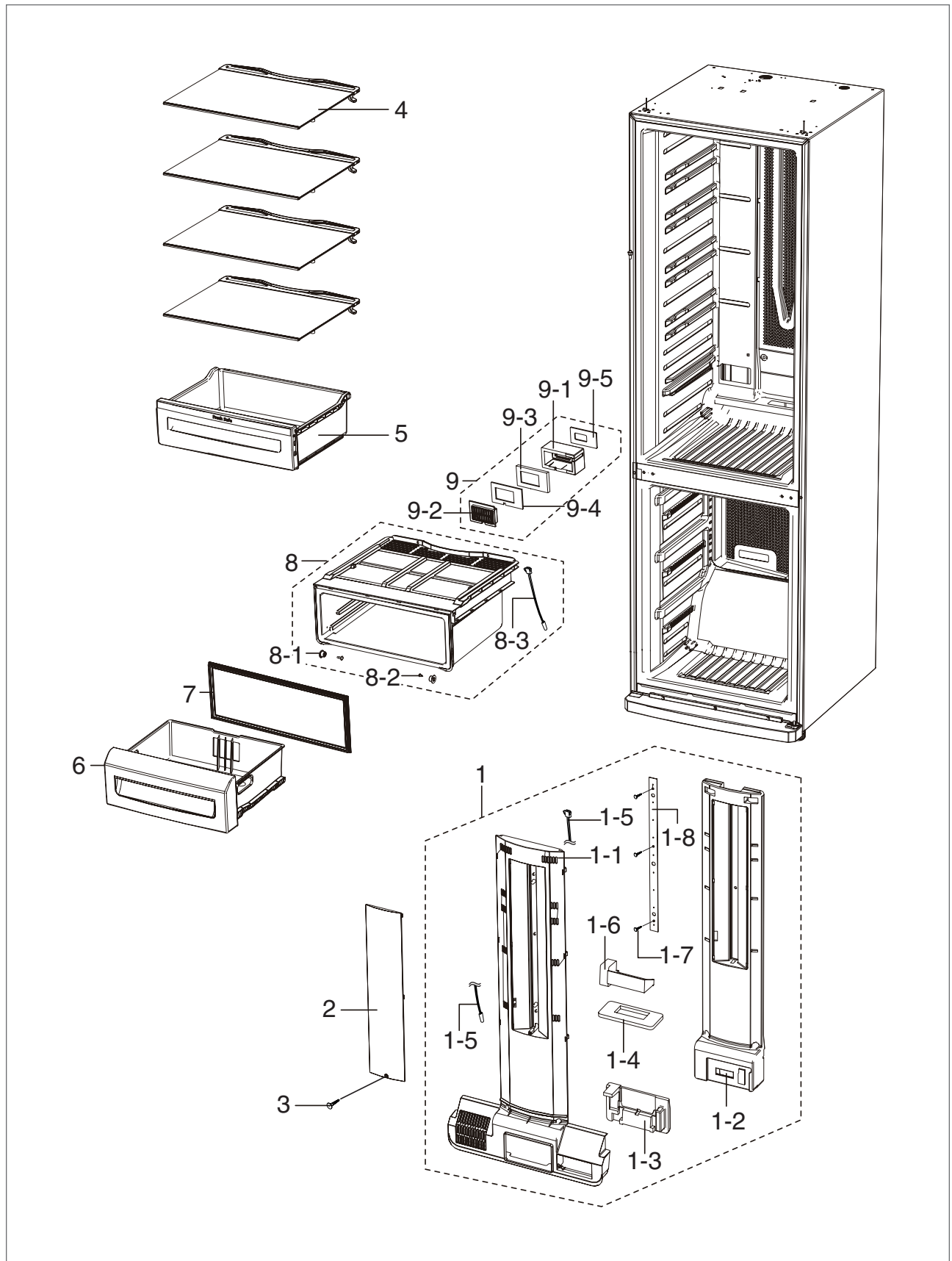
# ILLUSTRATED PARTS CATALOG

## 7-1) Freezer - LED SEMI MODEL



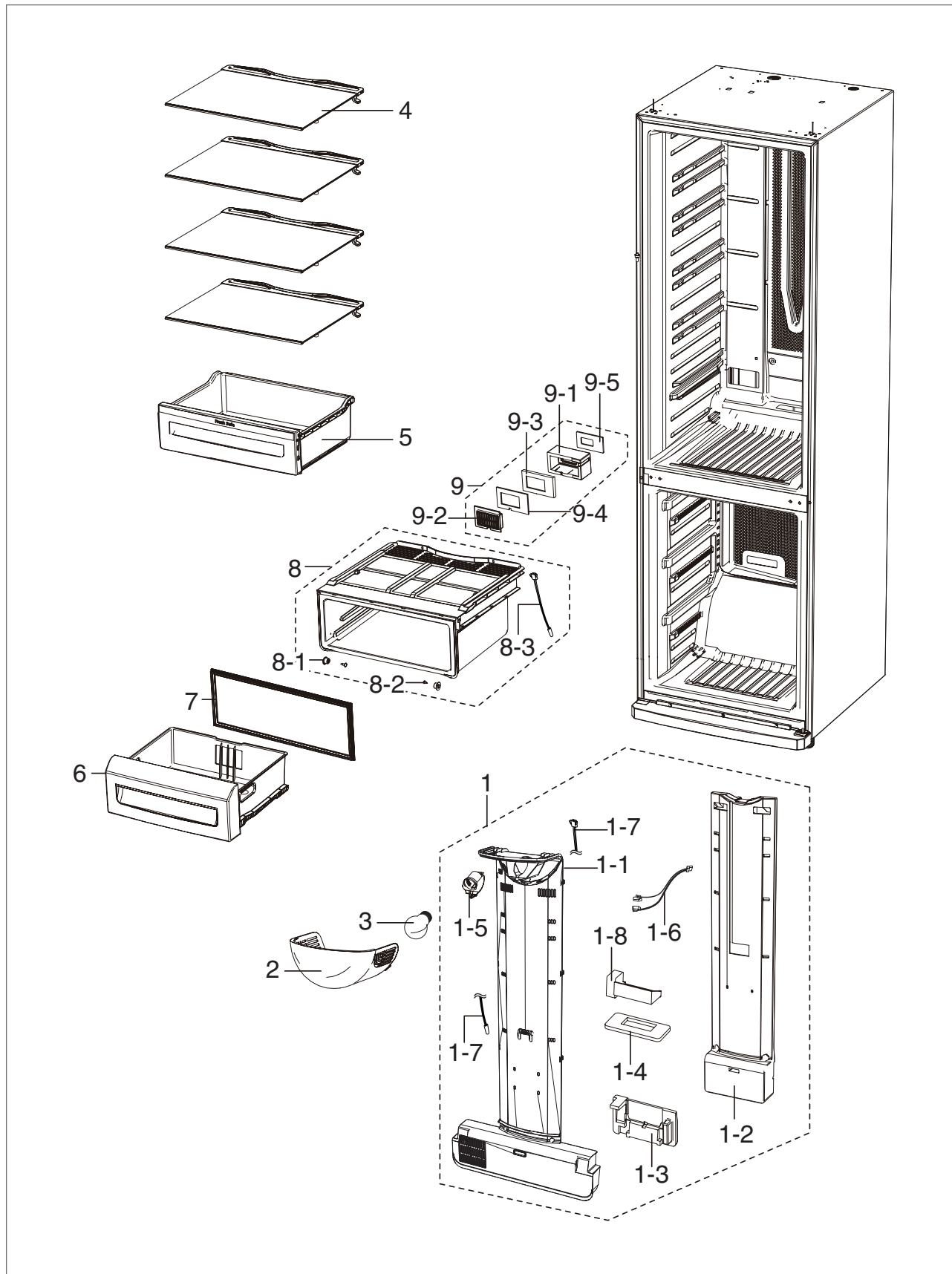
# ILLUSTRATED PARTS CATALOG

## 7-2) Fridge - Cool Select Zone & LED Lamp MODEL



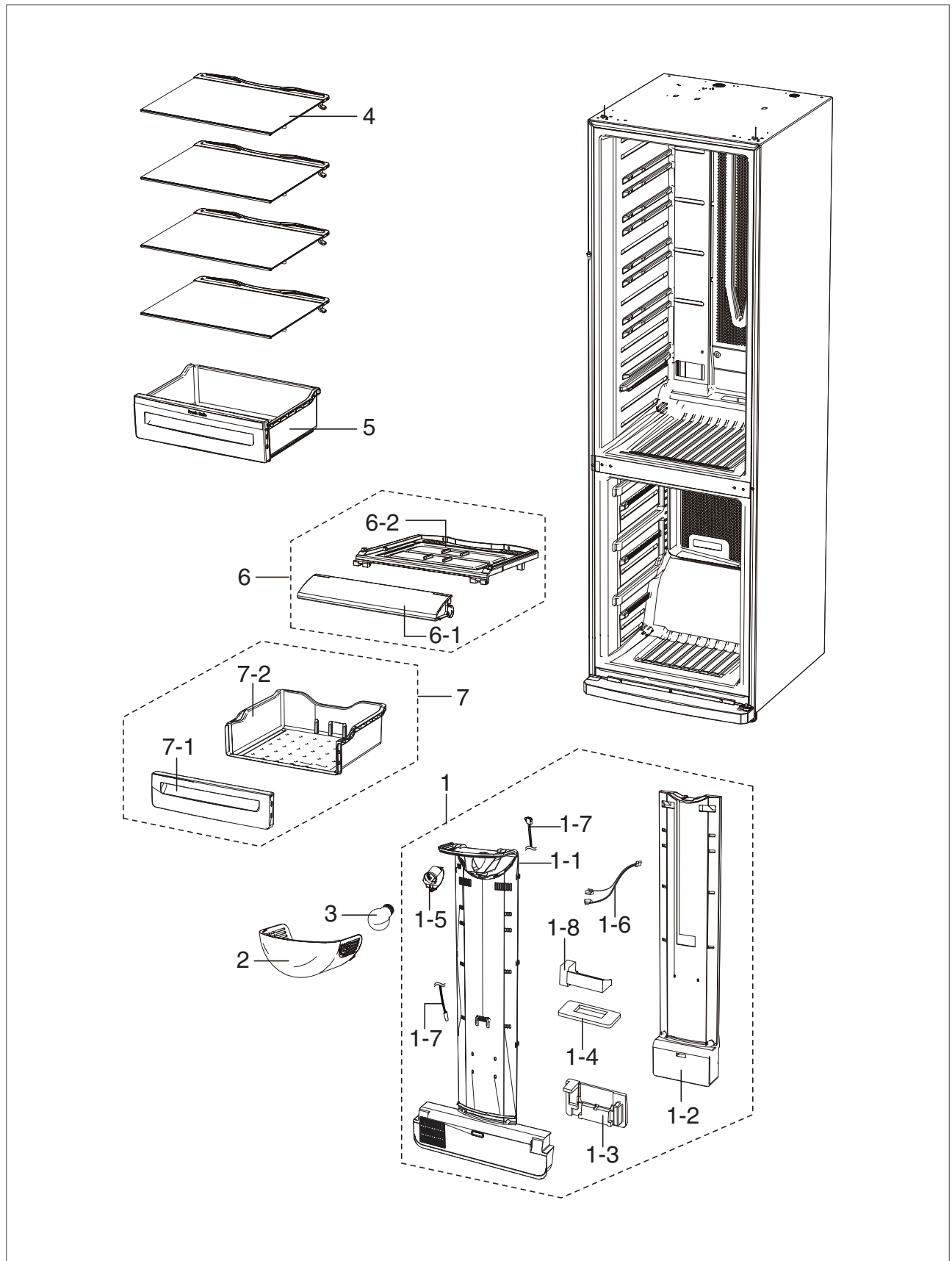
# ILLUSTRATED PARTS CATALOG

## 7-2) Fridge - Cool Select Zone & Bulb Lamp MODEL



# ILLUSTRATED PARTS CATALOG

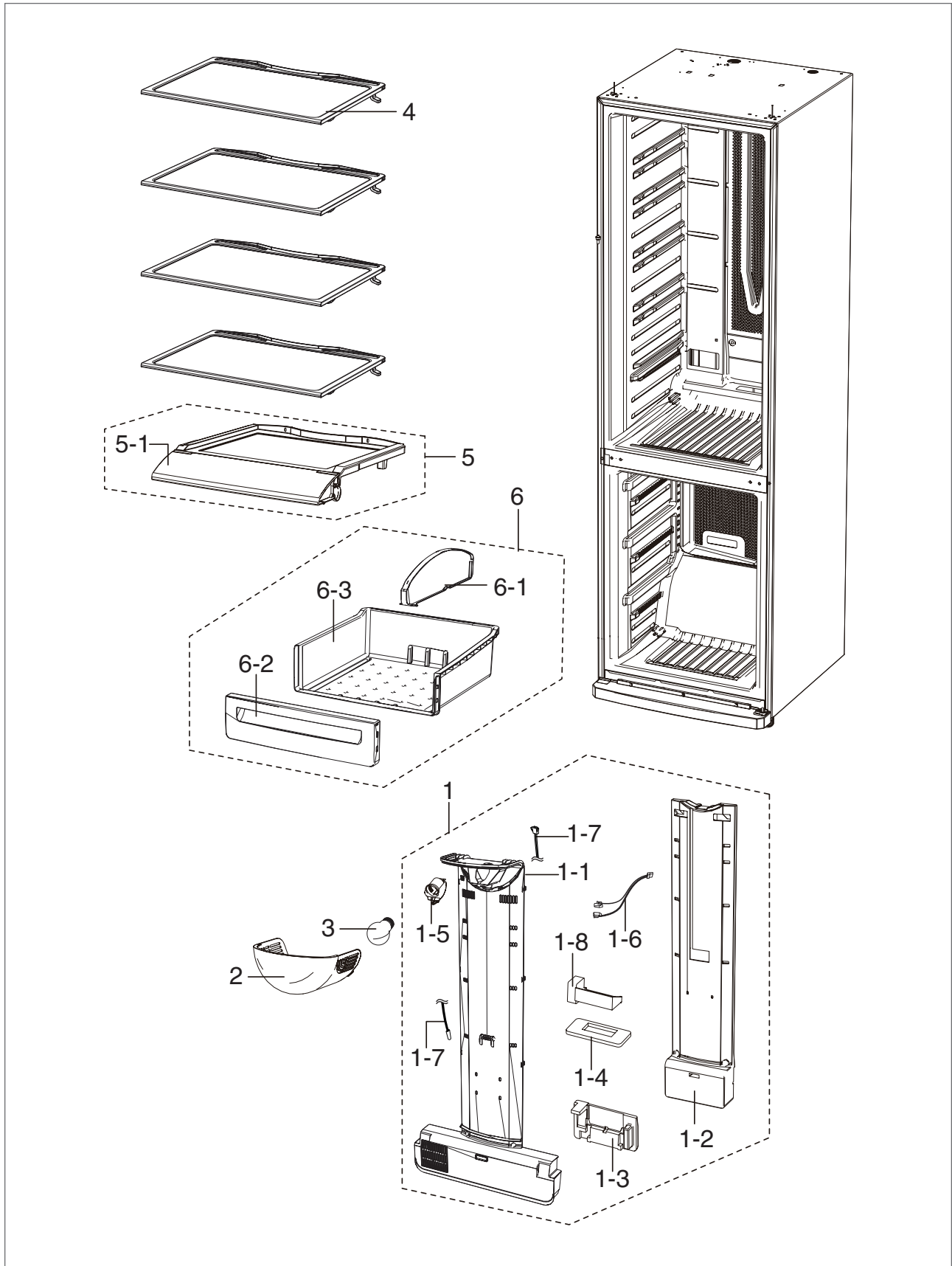
## 7-2) Fridge - Chilled Room & Vegetable Box MODEL





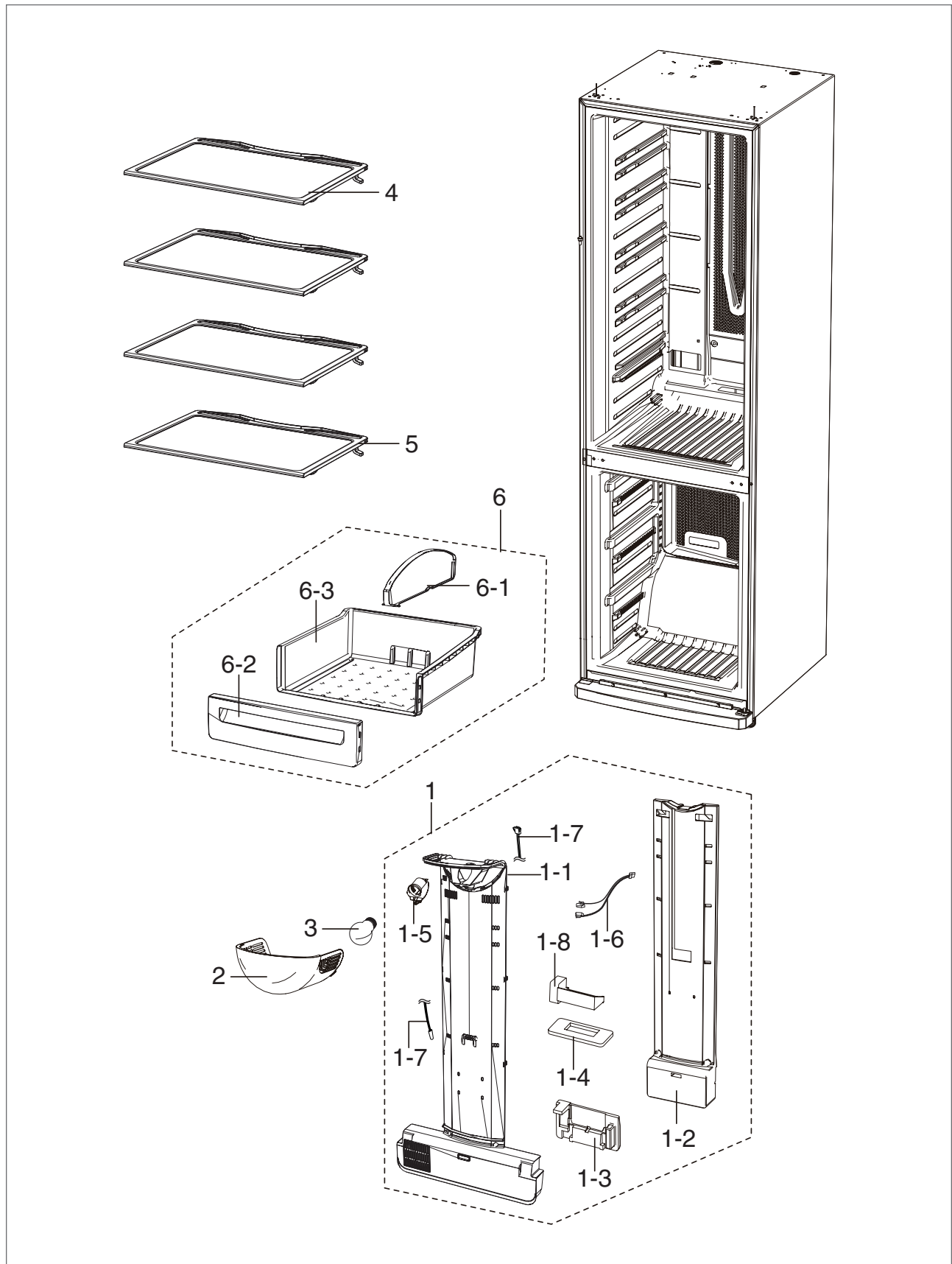
# ILLUSTRATED PARTS CATALOG

## 7-2) Fridge - Big Vegetable Box MODEL



# ILLUSTRATED PARTS CATALOG

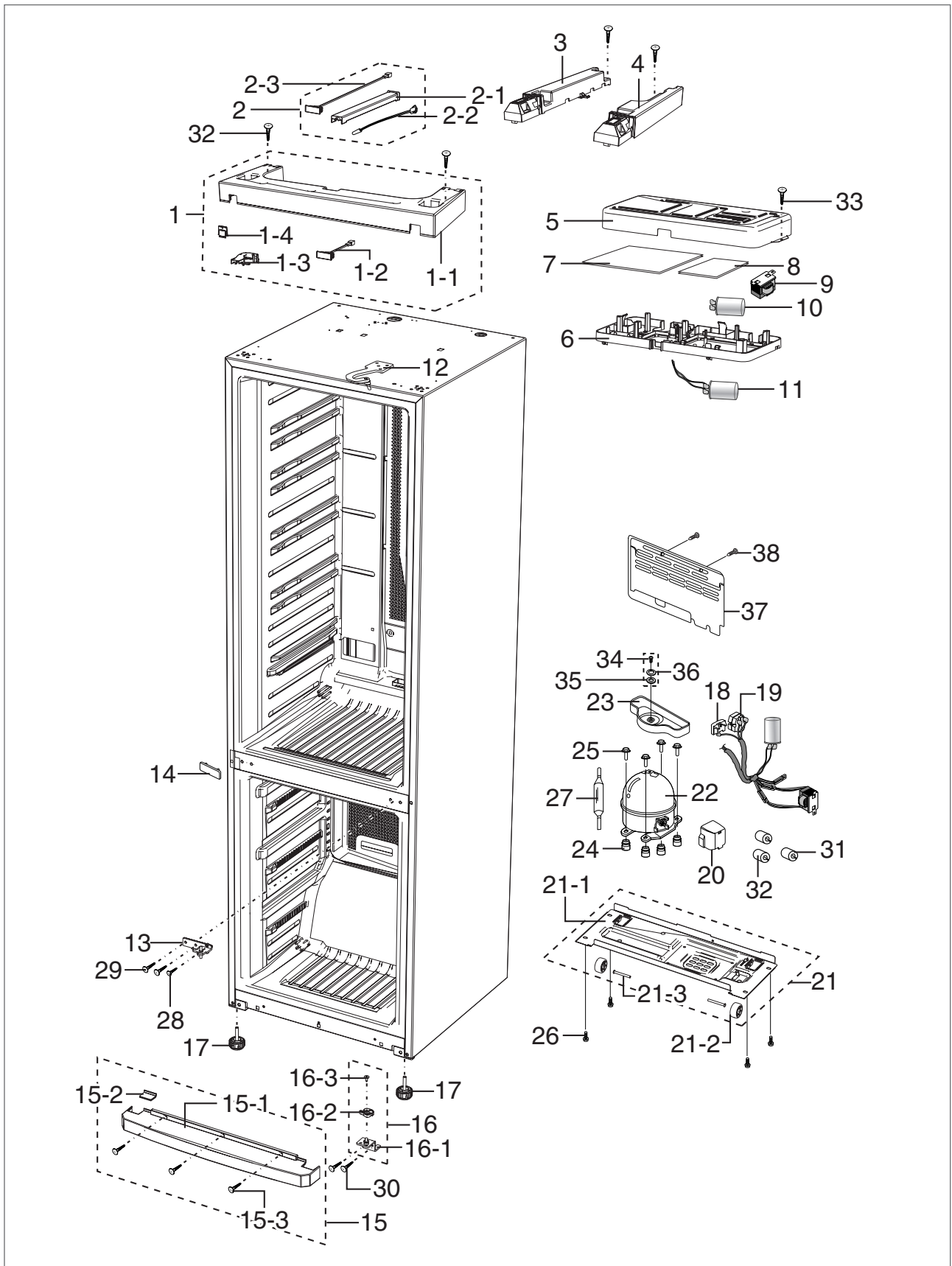
## 7-2) Fridge - RL38 MODEL





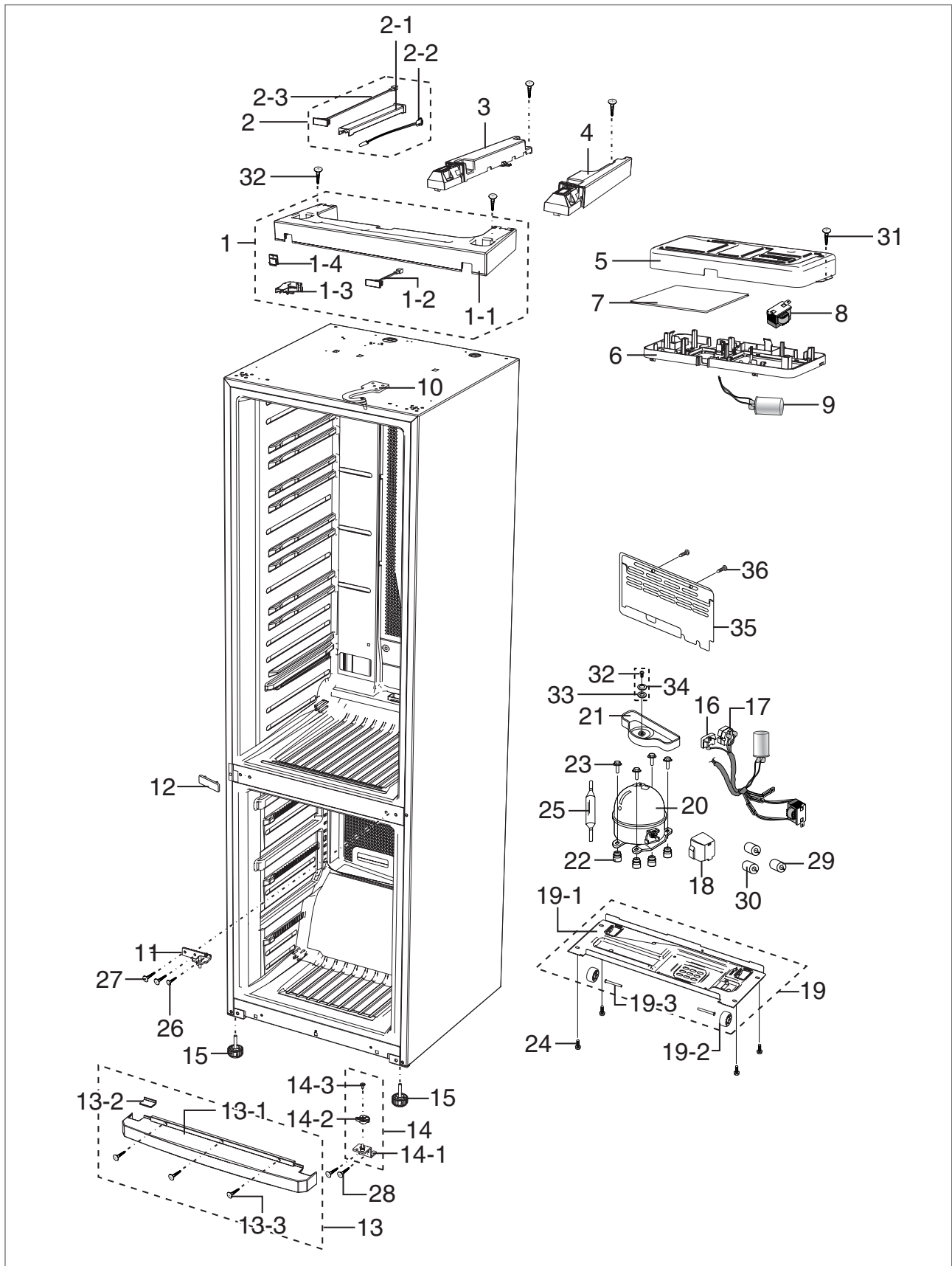
# ILLUSTRATED PARTS CATALOG

## 7-3) Cabinet - LCD MODEL



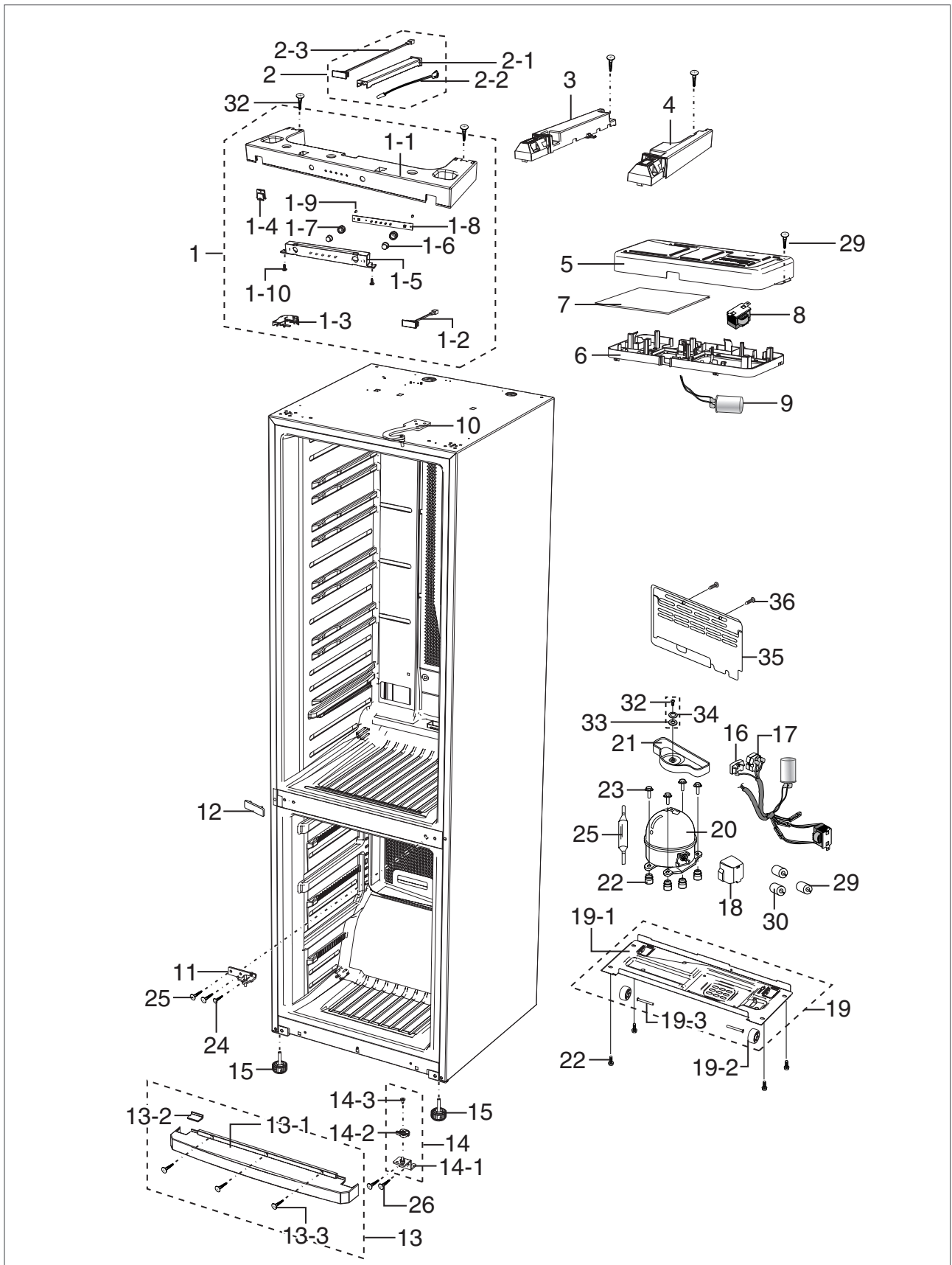
# ILLUSTRATED PARTS CATALOG

## 7-3) Cabinet - LED MODEL



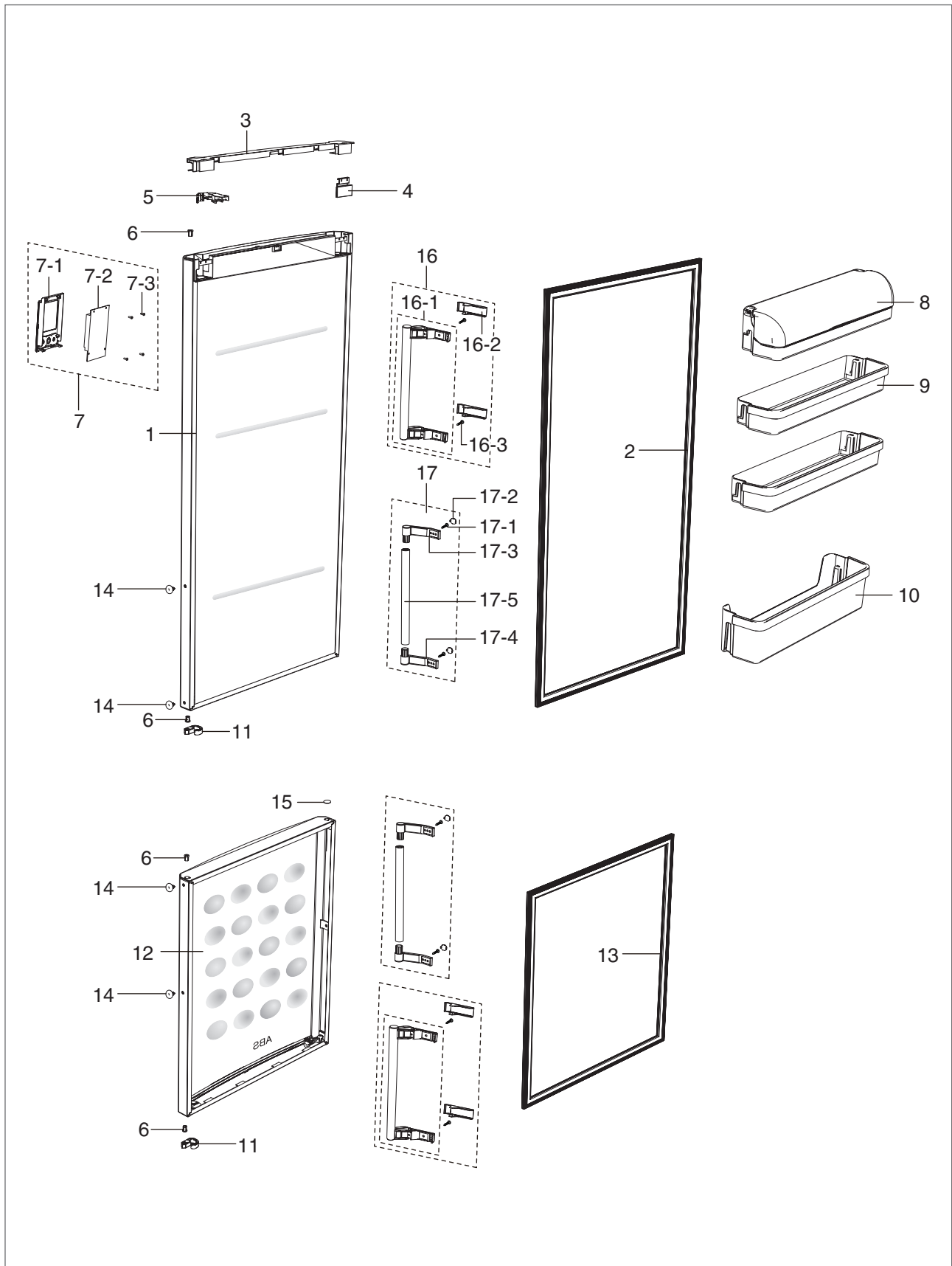
# ILLUSTRATED PARTS CATALOG

## 7-3) Cabinet - LED SEMI MODEL



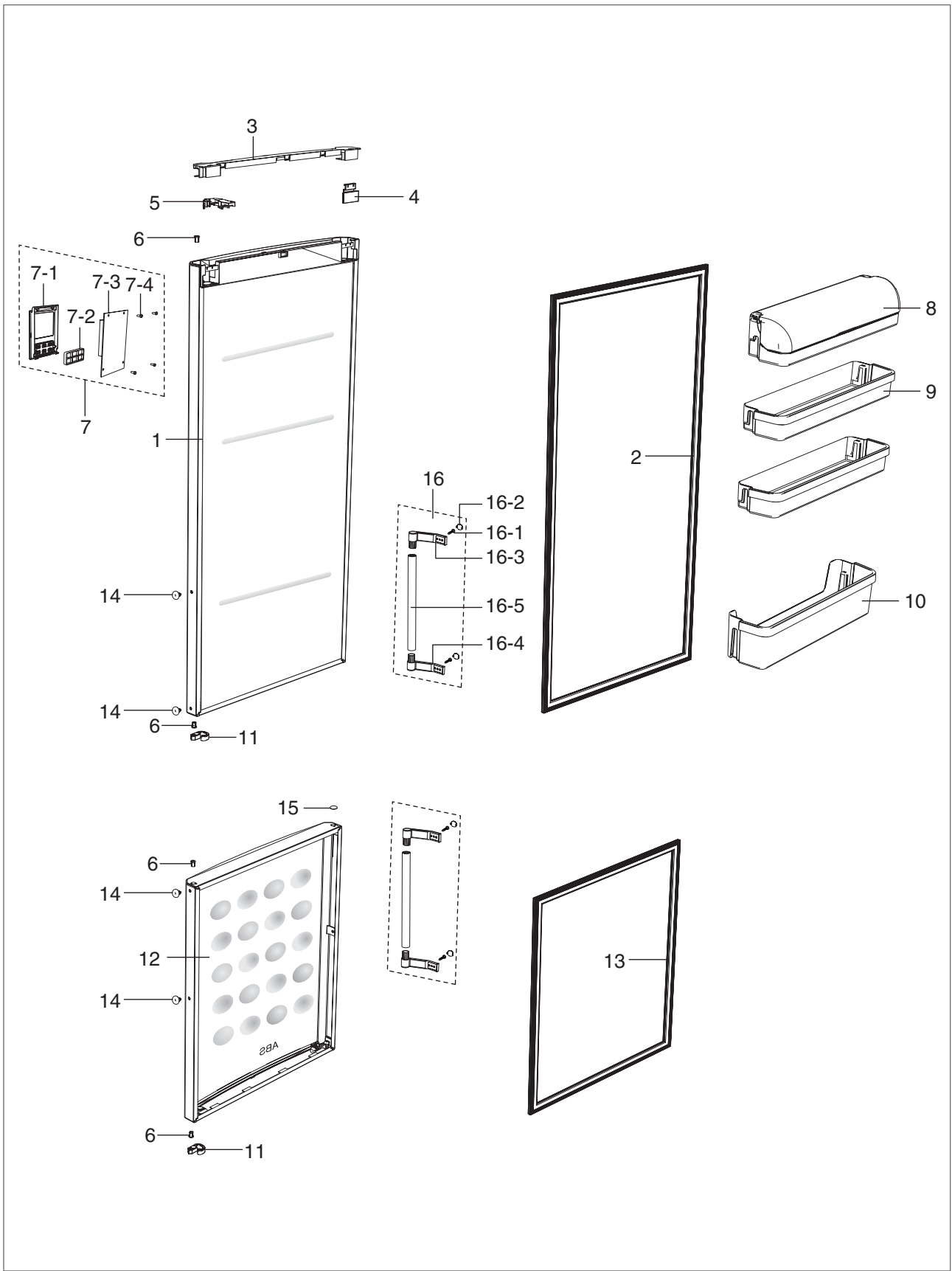
# ILLUSTRATED PARTS CATALOG

## 7-4) Door - LCD MODEL



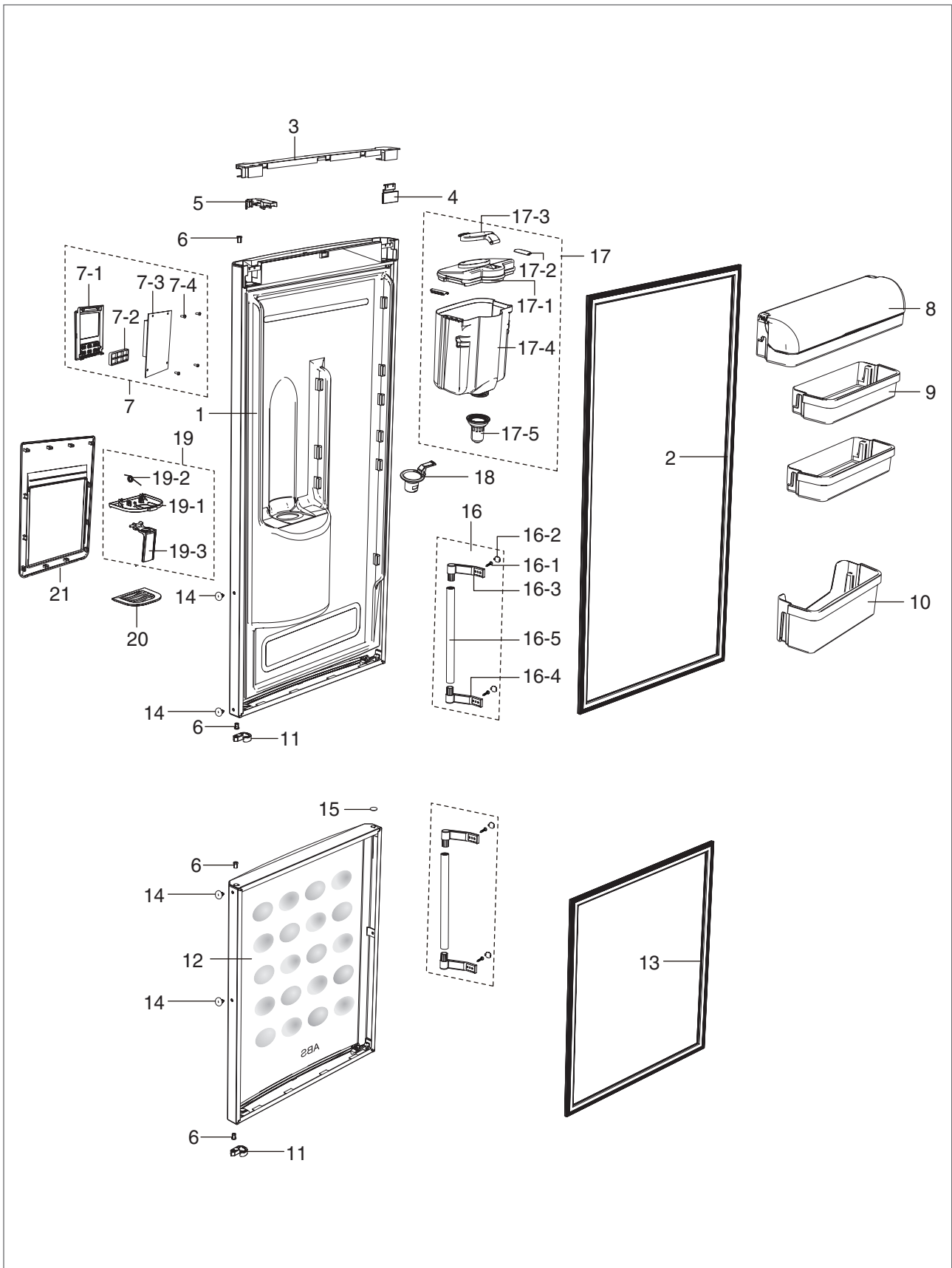
# ILLUSTRATED PARTS CATALOG

## 7-4) Door - LED MODEL



# ILLUSTRATED PARTS CATALOG

## 7-4) Door - LED DISPENSER MODEL





# ILLUSTRATED PARTS CATALOG

## 7-4) Door - LED SEMI MODEL

