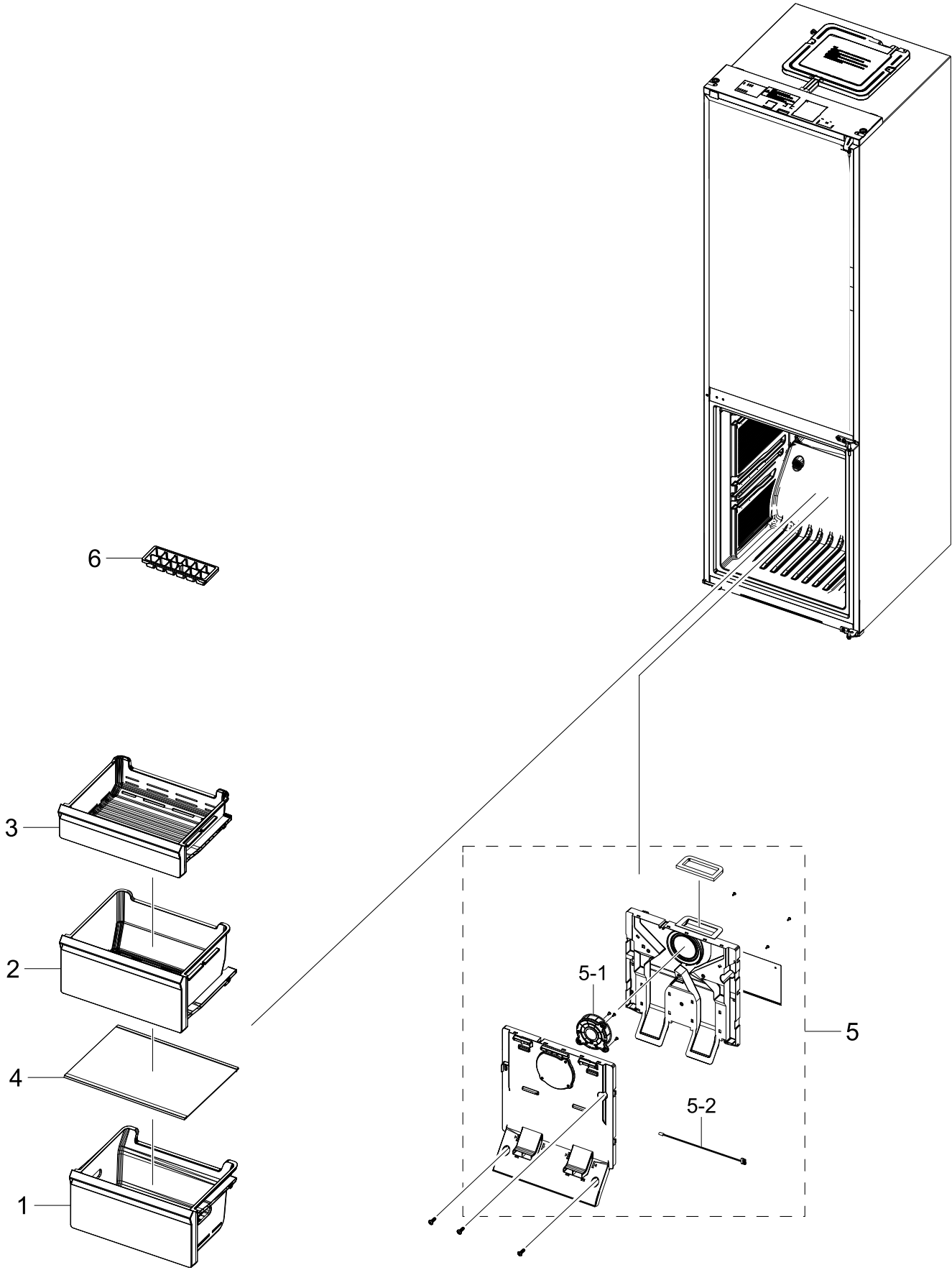


1. Freezer

Exploded View

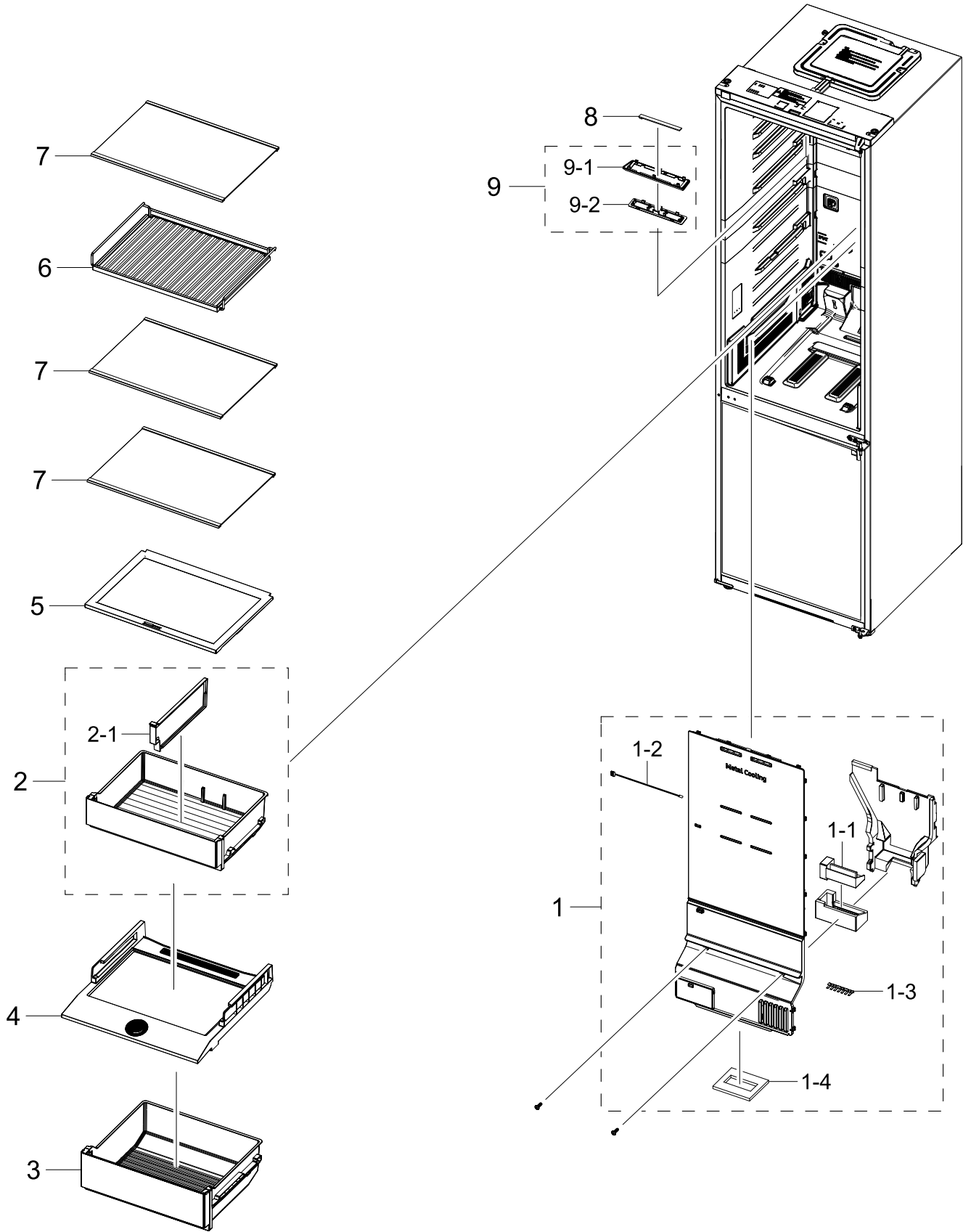


Parts List

No.	Lvl.	Loc.	Material Code	Description & Specification	SNA	Qty.
1	2	G0267	DA97-21136A	ASSY TRAY-FRE LOW; RB7300T,TP BLUE	SA	1
2	2		DA97-21135A	ASSY TRAY-FRE MIDDLE; RB7300T,TP BLUE	SA	1
3	2	M0483	DA97-21134A	ASSY TRAY-FRE UP; RB7300T,TP BLUE	SA	1
4	2	M0351	DA97-21202A	ASSY SHELF-FRE; RB7300T	SA	1
5	2	M0303	DA97-21145A	ASSY COVER EVAP-FRE; RB7300T,AIO-Q7	SA	1
5-1	3		DA31-00334C	MOTOR BLDC FAN; 12035GE-12M-YT,1775 7%,1	SA	1
5-2	3	A1018	DA32-10105X	SENSOR TEMP; PX-41C,502AT,DKST1329GW,QUEE	SA	1
6	2	A0120	DA67-40146B	TRAY ICE; SR-1500,PP,HB,COOL WHITE	SA	1

2. Refrigerator

Exploded View

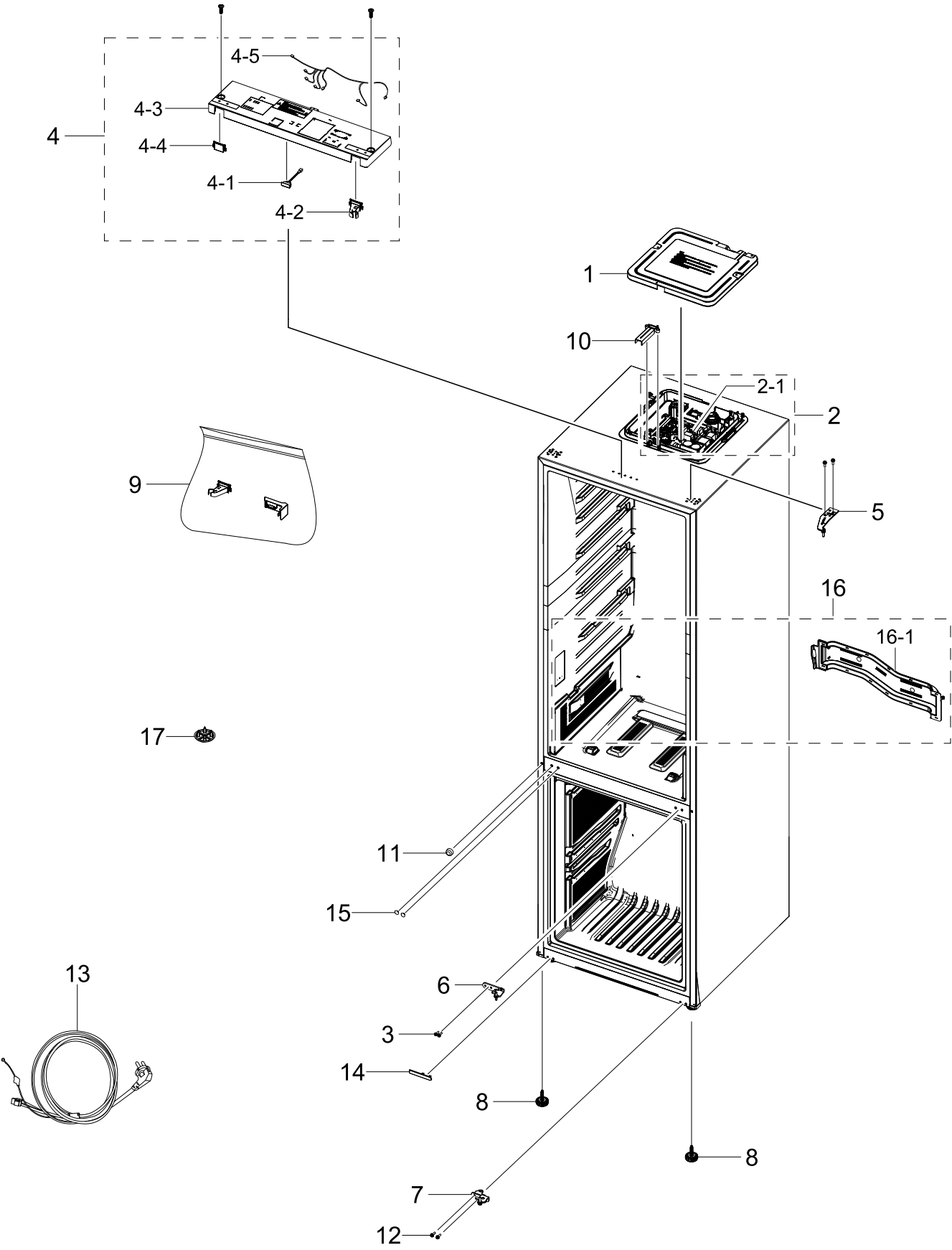


Parts List

No.	Lvl.	Loc.	Material Code	Description & Specification	SNA	Qty.
1	2	G0239	DA97-21143B	ASSY COVER MULTI-REF; RB7300T,RB38,2-TEMP	SA	1
1-1	3		DA31-00333C	MOTOR GEARED DC DAMPER; NSBA001TN1,12V,60	SA	1
1-2	3	A1018	DA32-00070D	SENSOR TEMP; SC41199-021A,900mm,13.2kohm	SA	1
1-3	3		DA61-11032A	FIXER; RT5000K,PA66,WHITE,KN3322VO,7P Ret	SA	1
1-4	3		DA62-05494A	SEAL INS MULTI-REF LOW; RB7300T,PE OPEN C	SA	1
2	2		DA97-21132A	ASSY CASE VEG-UP; RB7300T,TP BLUE,PLUS	SA	1
2-1	3		DA61-14031A	GUIDE TRAY-REF; RB7300T,HIPS,T2.5,S834S1,	SA	1
3	2	M0300	DA97-21133A	ASSY CASE VEG-LOW; RB7300T,TP BLUE,PLUS	SA	1
4	2		DA97-21137A	ASSY SHELF VEG-LOW; RB7300T,KNOB	SA	1
5	2		DA97-21093A	ASSY SHELF VEG-UP; RB7300T,2TEMP SHELF	SA	1
6	2		DA97-21091A	ASSY SHELF WIRE; RB7300T,WINE RACK	SA	1
7	2		DA97-21494A	ASSY SHELF GLASS-REF; RB7300T,ABS, LUMINO	SA	3
8	2		DA96-01119A	ASSY LAMP LED; 3EA,FR-4,150*12,WHITE,SMAW	SA	1
9	2		DA97-21569A	ASSY COVER LAMP; RB7300T,COVER LAMP, ASSY	SNA	1
9-1	3	A0190	DA61-14156A	CASE LAMP; RB7300T,HIPS,T2,COOL WHITE	SA	1
9-2	3	A0280	DA63-09898A	COVER LAMP; RB7300T,GPPS,T2,HB,TP BLUE,14	SA	1

3. Cabinet

Exploded View

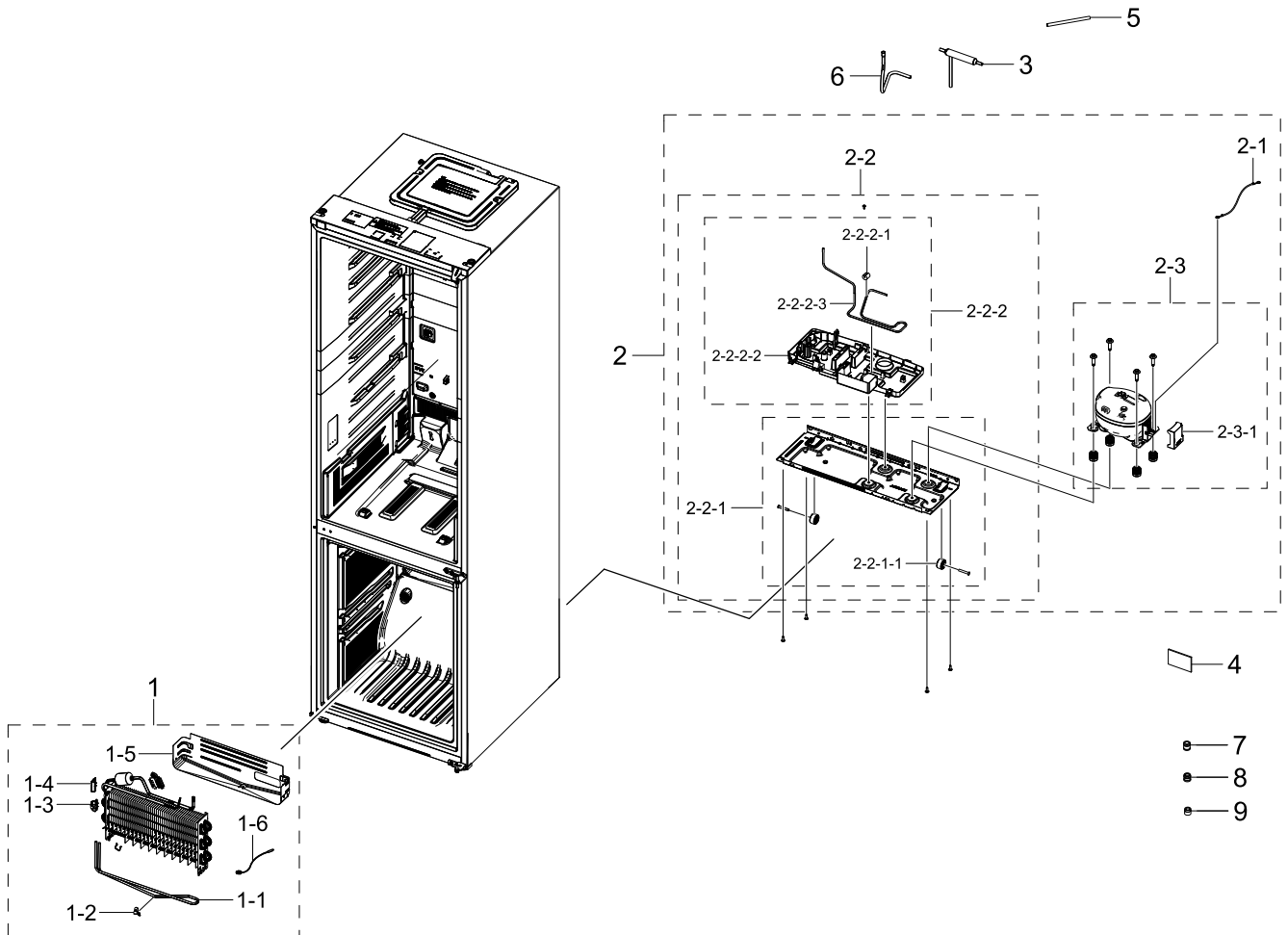


Parts List

No.	Lvl.	Loc.	Material Code	Description & Specification	SNA	Qty.
1	2		DA97-21372A	ASSY COVER PBA-MAIN; RB7300T,GI-SGCC,T0.4	SA	1
2	1		DA94-05464B	ASSY PCB EEPROM; 0x2F,D602,D603,D604,D606	SA	1
2-1	2	A0952	DA92-01296A	ASSY PCB MAIN; MONO COOLING,RB7300T,160*1	SNA	1
3	2	A0564	DA60-10123C	BOLT-HEX; M6,L24,ZPC(WHT),SWRCH18A,HWH He	SA	2
4	2	A1288	DA97-21246A	ASSY TOP TABLE; RB7300T,INOX GRAY	SNA	1
4-1	3		DA34-00043J	SWITCH REED; UL1007 AWG 22,50mm	SA	1
4-2	3		DA63-09846A	COVER WIRE-HINGE RIGHT; RB7300T,ABS,T1.2,	SA	1
4-3	3	A1109	DA64-06305A	TOP TABLE; RB7300T,ABS,INOX GRAY	SA	1
4-4	3		DA67-05048A	CAP HINGE; RB7300T,ABS,T2,HB,HG-0760GP,IN	SA	1
4-5	3		DA96-01418A	ASSY WIRE HARNESS-TOP; RB7300T, Mono,EXTE	SA	1
5	2		DA97-21173A	ASSY HINGE-UP; RB7300T,4T,BLACK	SA	1
6	2		DA97-21646A	ASSY HINGE-MIDDLE; RB7300T,T4.5,BLACK	SA	1
7	2	M0344	DA97-21632A	ASSY HINGE-LOW; RB7300T,T4,BLACK	SA	1
8	2	Z1128	DA61-07546B	LEG-FRONT; GRAND CRU,PP,BLACK,RM60,PP Scr	SA	2
9	2		DA91-05341B	ASSY INSTALL; RB7300T,INOX GRAY	SA	1
10	2		DA63-09844A	COVER WIRE-CABI; RB7300T,ABS,T2,HB,INOX G	SA	1
11	2		DA67-03725A	CAP SCREW; 3050,PP,HB,INOX GRAY	SA	1
12	2	A0564	6011-001546	BOLT-HEX; M5(P0.8),L16,ZPC(WHT),HWH,+,SWR	SA	2
13	2	A0273	3903-001015	POWER CORD-AT; H05VV-F 3x0.75mm2,BLK,EU3F	SA	1
14	2		DA67-05095A	CAP SCREW-A; RB7300T,ABS,T1.5,COOL WHITE	SA	1
15	2		DA67-04049A	CAP HINGE-HOLE; BK,ABS,T2,HB,WT0048,SNOW	SA	2
16	2	A0137	DA94-05432B	ASSY LINER; RB7300T,RB38,External Display	SNA	1
16-1	3	A0614	DA97-13554C	ASSY DUCT; RB7300T	SA	1
17	2	M0158	DA63-09871A	COVER-URETHANE; RB7300T,PP,V-0,INNER GRAY	SA	1

4. Cycle

Exploded View



Parts List

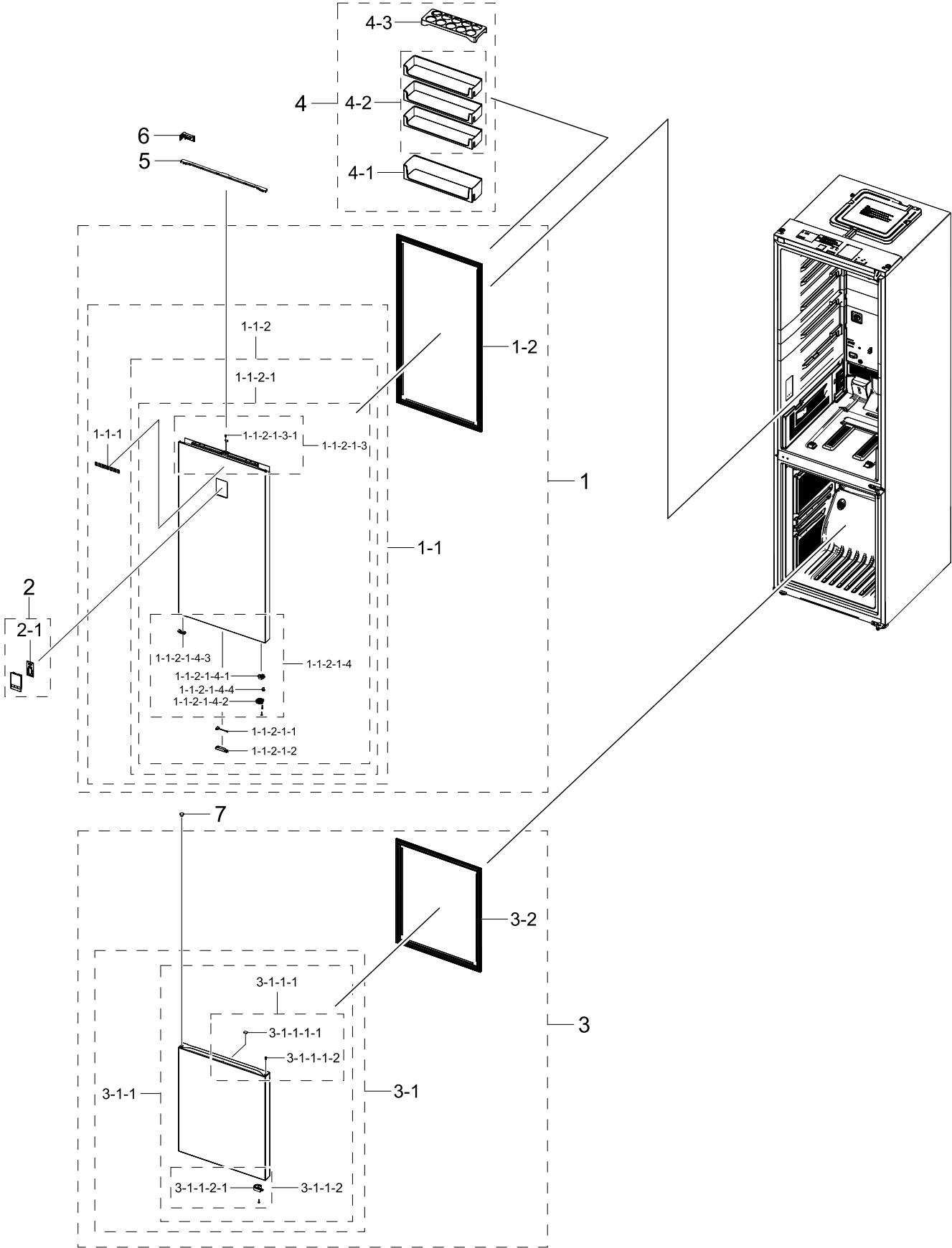
No.	Lvl.	Loc.	Material Code	Description & Specification	SNA	Qty.
1	2	A0163	DA96-01009F	ASSY EVAP-FRE; RB7300, 3050,230V,140W,Hea	SA	1
1-1	3		DA47-00507E	HEATER METAL SHEATH; AC230V,377.9ohm,140W	SNA	1
1-2	3	M9010	DA61-03644A	PLATE-EVAP HEATER; AW-PJT,AI,T0.7	SA	1
1-3	3	G0205	DA61-04921B	FIXER-HEATER FRE; HERMES-PJT,PP,NATURAL,V	SA	1
1-4	3	A0744	DA61-07411A	FIXER-FUSE; NW2,PP,NATURAL,BJ750	SA	1
1-5	3	A0754	DA61-08936A	PLATE-DRAIN; 3050,GI-SGCC,T0.3	SA	1
1-6	3	A1018	DA32-00006D	SENSOR TEMP; PX-41C,502AT,DKST1329GW,F DE	SNA	1
2	2		DA97-21454B	ASSY MODULE IN-COMP N CONDENSING; RB7300T	SNA	1
2-1	3	A0562	DA39-20389A	ASSY WIRE HARNESS-EARTH; EARTH,ALL,,,,,FR	SA	1

Exploded Views and Parts List

No.	Lvl.	Loc.	Material Code	Description & Specification	SNA	Qty.
2-2	3		DA97-21380A	ASSY CHASSIS; RB7300T,PIPE IMMERSING	SNA	1
2-2-1	4	A0526	DA97-21174A	ASSY CHASSIS COMP; RB7300T,GI-SGCC,T0.8,C	SA	1
2-2-1-1	5	A0527	DA61-06202A	CASTER-REAR; GRAND-CRU,PP,NATURAL	SA	2
2-2-2	4	A0529	DA97-21176A	ASSY TRAY DRAIN WATER; RB7300T,No fan, No	SNA	1
2-2-2-1	5	M0333	DA63-40171B	GROMMET-SUCT PIPE A; NBR,ID4,OD20	SC	1
2-2-2-2	5		DA97-21381A	ASSY TRAY DRAIN WATER-SUB; RB7300T	SA	1
2-2-2-3	5		DA62-05493A	PIPE IMMERSING-IN; RB7300T,TSW,OD4.76,T0.	SA	1
2-3	3		NI34T9101ABTT1	CMP,COMP,REFRIGERATOR,R600A; CMP,COMP,REFRIGERATOR,R600A		1
2-3-1	4	Z1032	DA63-09465A	COVER RELAY; S3,PC,T2,5VB,ALL BLACK	SA	1
3	2	A0669	DA62-04309C	DRYER; C1220T-H,L118,SINGLE MOUTH,For Cap	SA	1
4	2		DA72-60040W	SEAL-CUTT RUBBER; TD-PJT,RUBBER,BLACK,T5,	SA	1
5	2	A0523	DA73-10190U	PIPE-CONNECT DISC,B; ALL,Cu,C1220T,OD6.35	SA	1
6	2		DA62-05500A	PIPE CONNECT-SUCTION; RB7300T,Cu,OD6.35,T	SA	1
7	2		DA60-00279A	FITTING-LOKRING 16; SUM23,16, 11SMnPb30K	SA	1
8	2		DA60-00280A	FITTING-LOKRING 33; SUM23,33, 11SMnPb30K	SA	1
9	2		DA60-00281A	FITTING LOCK SLEEVE; SUM23,ID5.02,11SMnPb	SA	1

5. Door

Exploded View



Parts List

No.	Lvl.	Loc.	Material Code	Description & Specification	SNA	Qty.
1	2		DA97-21623C	ASSY MODULE IN-DOOR FOAM; RB7300T,RB38,S9	SNA	1
1-1	3	Z1100	DA91-05335E	ASSY DOOR FOAM-REF; RB7300T,S9(REFINED IN	SA	1
1-1-1	4	M0196	DA64-04020C	MASCOT; ALL,Ni,T0.06,L80	SA	1
1-1-2	4		DA97-21233C	ASSY PLATE DOOR-REF; RB7300T,RB38,EX-CONT	SNA	1
1-1-2-1	5		DA97-21407A	ASSY CAP DOOR; RB7300T,INOX GRAY,RECESS,E	SNA	1
1-1-2-1-1	6		DA34-00043J	SWITCH REED; UL1007 AWG 22,50mm	SA	1
1-1-2-1-2	6	G0271	DA67-02385B	CAP-REED SWITCH; SVETA-PJT,PP,T1.5,BLACK,	SA	1
1-1-2-1-3	6		DA97-21210A	ASSY CAP DOOR-REF UP; RB7300T,INOX GRAY,E	SNA	1
1-1-2-1-3	7		DA67-02795C	CAP-SHAFT HOLE; AW3,ABS,HG-0760GP,SNOW WH	SA	1
1-1-2-1-4	6	A0048	DA97-21211A	ASSY CAP DOOR-REF LOW; RB7300T,BLACK,RECE	SNA	1
1-1-2-1-4	7	A0640	DA61-14266A	STOPPER DOOR; RB7300T, METAL,PO-SPHC,T4,A	SA	1
1-1-2-1-4	7		DA66-01480A	LEVER AUTO CLOSE; RB7300T,POM,T1.8,K300,R	SA	1
1-1-2-1-4	7		DA67-05054A	CAP DOOR SUB; RB7300T,ABS,T1.5,HB,CNTK A-	SA	1
1-1-2-1-4	7		DA63-09976A	GROMMET DOOR-REF; RB7300T,POM,BLACK	SA	1
1-2	3		DA97-21243B	ASSY GASKET; RB7300,GRAY,Sub Combination,	SA	1
2	2	A0626	DA97-21277B	ASSY COVER CONTROL; RB7300T,W,L,SILVER,OU	SA	1
2-1	3		DA92-01298B	ASSY MODULE; LED DISPLAY,RB7300T,OUTER,WH	SNA	1
3	2		DA97-21620C	ASSY MODULE IN-DOOR FOAM; RB7300T,RB38,FR	SNA	1
3-1	3	M0063	DA91-05332C	ASSY DOOR FOAM-FRE; RB7300T,S9(REFINED IN	SA	1
3-1-1	4		DA97-21234K	ASSY PLATE DOOR-FRE; RB7300T,RECESS,S9(MA	SNA	1
3-1-1-1	5		DA97-21212B	ASSY CAP DOOR-FRE UP; RB7300T,DARK GRAY,R	SNA	1
3-1-1-1-1	6	A0534	DA61-03769B	MAGNET; SVETA,FERRITE,1600Gauss	SA	1
3-1-1-1-2	6	A0827	DA63-08059A	GROMMET HINGE; BK65,60,PA66,BLACK	SA	1
3-1-1-2	5	A0047	DA97-21213A	ASSY CAP DOOR-FRE LOW; RB7300T,BLACK	SNA	1

No.	Lvl.	Loc.	Material Code	Description & Specification	SNA	Qty.
3-1-1-2-16	6		DA66-01445A	LEVER AUTO CLOSE; RB7300T,POM,T1.8,K300,B	SA	1
3-2	3		DA97-21244B	ASSY GASKET; RB7300,GRAY,Sub combination,	SA	1
4	1	A0166	DA90-12422B	ASSY GUARD; RB7300T,RB38/36,TP Blue,REF U	SNA	1
4-1	2	A0151	DA63-09802A	GUARD BOTTLE; RB7300T,GPPS,TP BLUE	SA	1
4-2	2	M0447	DA63-09799A	GUARD-REF UP; RB7300T,GPPS,TP BLUE	SA	3
4-3	2	A0656	DA63-06221A	TRAY EGG; GRAND-CRU,GPPS,T2.1,92,252.9,TP	SA	1
5	2		DA63-09843A	COVER WIRE-DOOR; RB7300T,ABS,T2,HB,INOX G	SA	1
6	2		DA67-05049A	CAP SPACE-DOOR LEFT; RB7300T,ABS,T1.5,HB,	SA	1
7	2		DA67-04054H	CAP HINGE; RB7300T,ABS,T1.6,HB,HG-0760GP,	SA	1