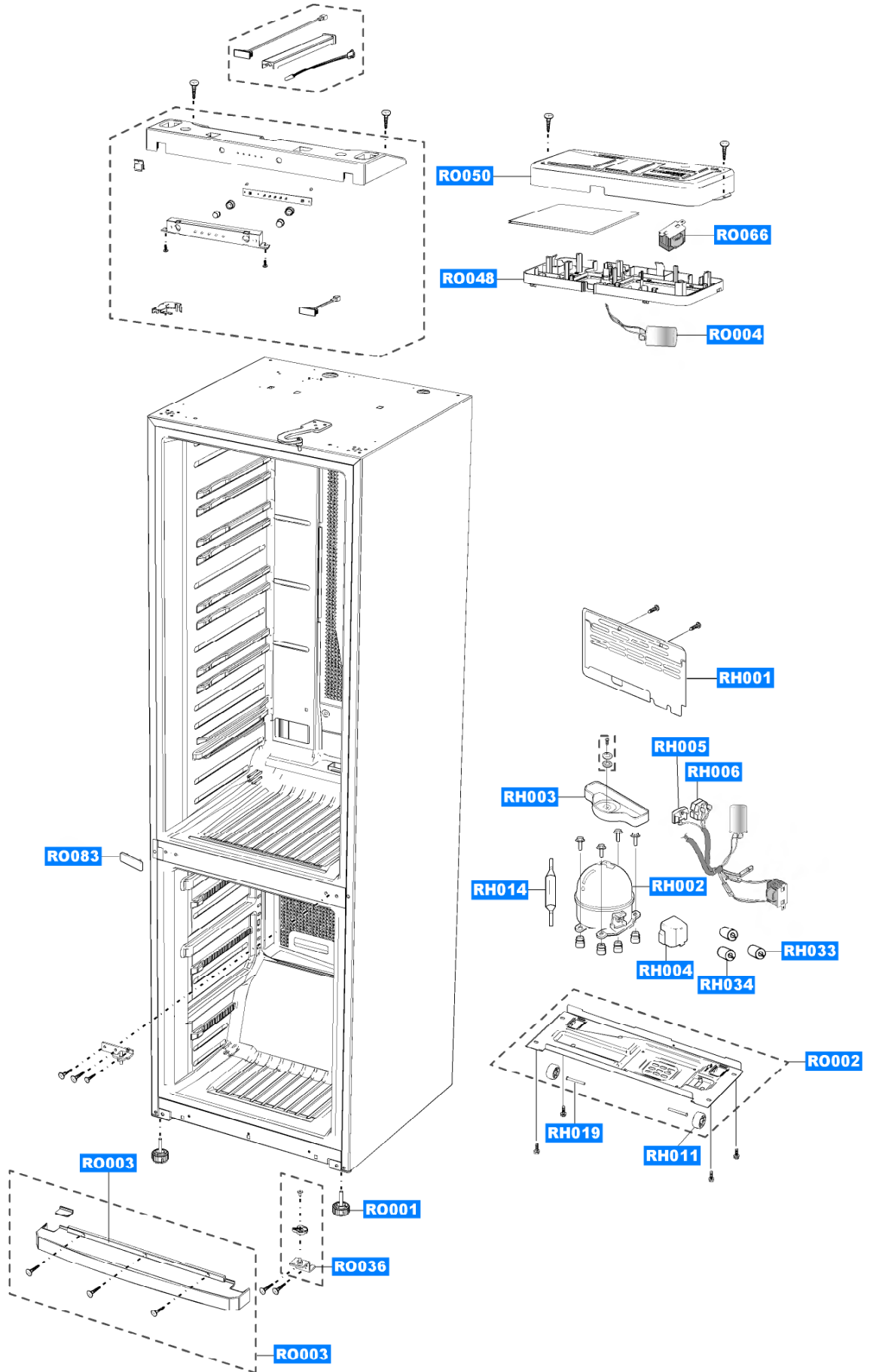
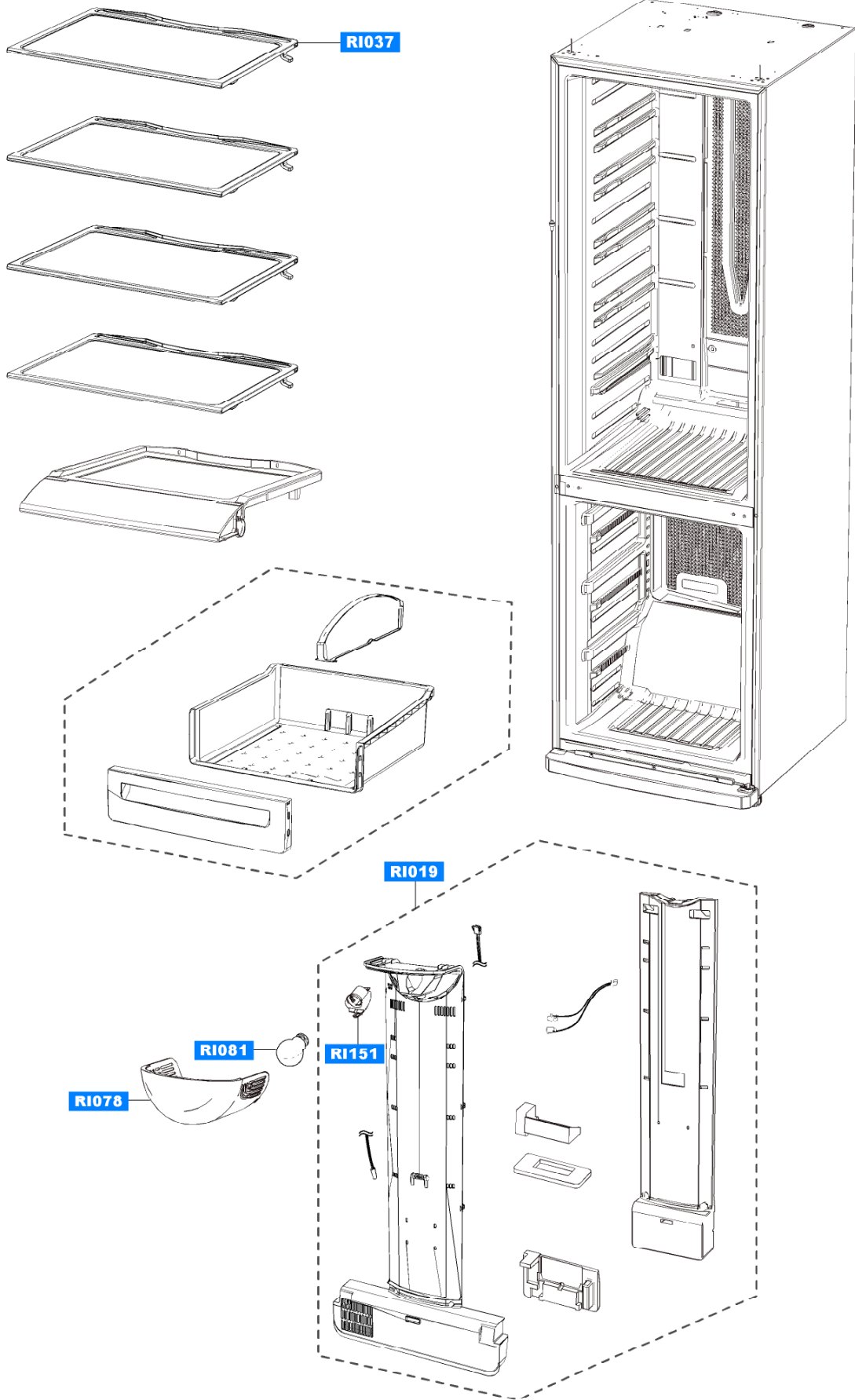


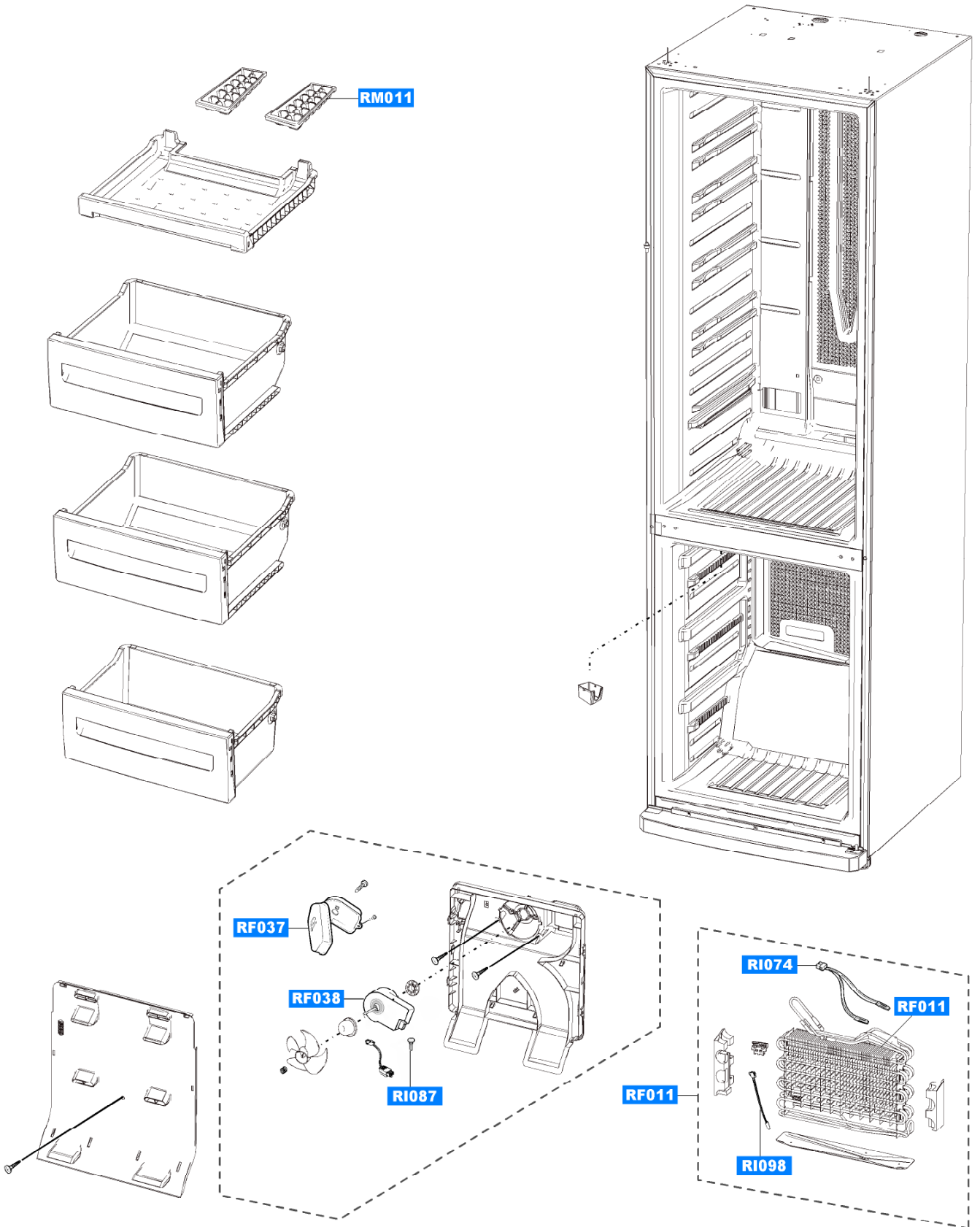
CORE-PJT Cabinet (RL44SDSW1)



CORE-PJT Refrigerator Room (RL44SDSW1)



CORE-PJT Freezer Room (RL44SDSW1)



◇Part List

(Model Code : RL38EGSW1/XEG)

| Location | Part Code | Part Name | Specification | SA/SNA |
|----------|---------------|-------------------------|------------------------------------|--------|
| RD001 | DA91-02262M | ASSY DOOR FOAM FRE | RL38,SNOW WHITE,-,-,P | SA |
| RD012 | DA97-04098A | ASSY-GASKET DOOR FRE | CORE PJT,-,-,- | SA |
| RD025 | DA63-03756D | COVER-CONTROL FRONT | CORE-PJT,PC(##),T0.8 | SA |
| RD059 | DA67-00859E | CAP-DOOR HANDLE | CORE,POM,-,-,-,SNOW WHIT | SA |
| RD108 | DA62-01558A | SEAL-COVER CONTROL(LED) | CORE-PJT,3M TAPE | SA |
| RE001 | DA91-02328B | ASSY DOOR FOAM REF | RL38,SNOW WHITE,-,-,B | SA |
| RE016 | DA97-04097C | ASSY-GASKET DOOR REF | RL38,SF-PVC,W539.5, | SA |
| RE017 | DA63-03033A | GUARD-BOTTLE | CORE-PJT,SAN,T2.5,-,-,-,NOR | SA |
| RE026 | DA63-03034A | GUARD-VARIETY | CORE-PJT,SAN,T2.5,-,-,-,NO | SA |
| RE034 | DA63-03032A | COVER-DAIRY | CORE-PJT,GPPS,T2.5,-,-,-,- | SA |
| RE035 | DA61-02757A | CASE-DAIRY | CORE-PJT,ABS,-,-,-,WHITE,- | SA |
| RE037 | DA64-00990A | MASCOT | -,AL,-,-,80MM,-,-,- | SA |
| RE043 | DA61-02773B | STOPPER-DOOR | CORE-PJT,POM(DE8903),-,-,-, | SA |
| RE083 | DA61-02738A | MAGNET-ASS'Y | CORE-PJT,Strontium ferrite, | SA |
| RE089 | DA61-02756B | GUIDE-AUTO CLOSE | CORE-PJT,PA66(Zytel 318 | SA |
| RE090 | DA61-02774C | SUPPORT-HANDLE UPP | CORE,ASSY(ABS+PA),-,- | SA |
| RF001 | DA63-03059A | TRAY FRE-LOW | CORE,PP,-,-,-,-,COOL WHT,- | SA |
| RF002 | DA63-03055A | TRAY FRE-UPP | CORE,PP,-,-,-,-,COOL WHT,- | SA |
| RF009 | DA63-03060A | TRAY FRE-MID | CORE,PP,-,-,-,-,COOL WHT,- | SA |
| RF011 | DA59-00350D | EVAP-FRE | CORE-PJT,PIN,-,-,-,220V-240V/240 | SA |
| RF011 | DA96-00280D | ASSY EVAP-FRE | CORE-PJT,PIN,-,-,-,220V-240V | SA |
| RF037 | DA63-01283C | COVER-MOTOR | AD,PP,-,-,-,-,NTR,AC,FH21 | SA |
| RF038 | DA31-00103H | MOTOR FAN-AC | IS-27210SNC5B,CORE,66?15% | SA |
| RF123 | DA60-00153A | SPACER-EVAP L | CORE-PJT,FOAM PS,-,-,-,-,- | SA |
| RF124 | DA60-00154A | SPACER-EVAP R | CORE-PJT,FOAM PS,-,-,-,-,- | SA |
| RF125 | DA60-40104J | WASHER | -,PI 4.2,-,-,T0.8,T3-PJT,-,-,-,STS | SA |
| RH001 | DA97-03985B | ASSY COVER-COMP | CORE-PJT,SBHG1,T0.3,-,-,-, | SA |
| RH002 | MD4A1QL1U/E01 | COMPRESSOR | 10.9;220/230/50HZ | SA |
| RH003 | DA63-01933C | TRAY DRAIN-WATER | COMBI,SCP2,T 0.5,-,-,-, | SA |
| RH004 | DA63-01363A | COVER RELAY | -,URENE UWF-02F01,T2.0,50,62 | SA |
| RH005 | DA34-10004A | RELAY PROTECTOR O/L | 4TM189PHBY-53,-,-,ST | SA |
| RH006 | DA35-10013B | RELAY-PTC | J531Q35E330M385-2,385V.6A | SA |
| RH011 | DA61-40126B | CASTER-REAR | REF-ALL,PP,-,-,PI 44,NTR,W22,- | SA |
| RH019 | DA60-90146A | PIN-CASTER | MSWR10,OD6.0,L40,ZPC2,SR-289- | SA |
| RH025 | DA62-01226B | PIPE-CONNECT SUCTION | CORE-PJT,C1220T-0,- | SA |
| RH026 | DA73-10190U | PIPE-CONNECT DISC,B | TD-PJT,C1220-T,-,6.3 | SA |
| RH033 | DA63-40171B | GROMMET-SUCT PIPE A | -,NBR,OD20,ID4,L20,- | SA |
| RH034 | DA63-40171D | GROMMET-SUCT PIPE B | RAIL L19.5,NR,-,-,OD20 | SA |
| RI001 | DA61-02889A | CASE-VEG LOW | CORE63,PP,-,-,-,-,COOL WHT(SC | SA |
| RI001 | DA97-04150A | ASSY CASE VEG-LOW | CORE63,-,-,-,-,- | SA |
| RI009 | DA63-03170A | COVER VEG-LOW | CORE63,SAN,-,-,-,-,-,TRP,- | SA |
| RI019 | DA97-03952C | ASSY COVER-MULTI REF | CORE-PJT,-,-,-,-,-,- | SA |
| RI064 | DA63-03061A | COVER-TRAY FRE UPP | CORE,SAN,-,-,-,-,-,- | SA |
| RI074 | DA47-00095F | THERMO FUSE-ASSY | CORE-PJT,-,-,250V,10,77-5 | SA |
| RI078 | DA63-03025A | COVER LAMP-REF | CORE-PJT,PP,T2.5,-,-,-,-,- | SA |
| RI081 | 4713-001201 | LAMP-INCANDESCENT | 230V,0mA,40W,FROST,0Lm | SA |
| RI085 | DA31-00148A | FAN-AX112W5CCI | -,LMF,ABS,-,-,HF0660I | SA |
| RI087 | DA63-40167A | GROMMET-COVER CHIL | T3.0,SILICON,-,-,-,-,- | SA |
| RI092 | DA61-02826B | GUIDE-VEG | CORE38,HIPS,-,-,-,-,COOL WHT,- | SA |
| RI139 | DA32-00006N | SENSOR TEMP-ASSY | PX41C/502AT,TGV,-40~110 | SA |
| RI151 | DA47-40001C | LAMP HOLDER-ASSY | E26,-,-,1A,-,-,-,PBT(5VA),U | SA |
| RI157 | DA61-02901A | FIXER-SENSOR EVAP | CORE-PJT,PP,-,-,NTR,- | SA |
| RI168 | DA31-00043F | MOTOR DC-MOTOR-DAMPER | -,CORE-PJT,Max 60m | SA |
| RM011 | DA67-40146B | TRAY-ICE | SR-1500,NTR,PE,-,-,-,-,-,- | SA |
| RO001 | DA61-00805A | FOOT-FRONT | REF-ALL,PP,PI44,NTR,H65.8,-,-,B | SA |

◇Part List

(Model Code : RL38EGSW1/XEG)

| Location | Part Code | Part Name | Specification | SA/SNA |
|----------|-------------|------------------------|--------------------------------|--------|
| RO002 | DA97-03896A | ASSY CHASSIS-COMP | CORE-PJT,SBHG1,T1.0,- | SA |
| RO003 | DA63-03031D | COVER LEG-FRONT | CORE-PJT,PP,-,-,-,-,SC | SA |
| RO004 | 2501-001186 | C-OIL | 5uF,400V,BK,43x55mm,15mm | SA |
| RO005 | DA39-10115D | CBF-POWER CORD | UCP-2,250V,10/16A,L2100,- | SA |
| RO007 | DA41-00362A | PBA MAIN-LED | RL44E,LED,FR-1,197*123*1.6T | SA |
| RO010 | DA97-03953J | ASSY HANDLE | CORE,-,-,-,-,SNOW WHITE,AL | SA |
| RO036 | DA61-02753A | HINGE-LOW | CORE,SHP1,T4.0,-,-,-,BLACK | SA |
| RO039 | DA61-02752A | HINGE-MID | CORE,SHP1,T4.0,-,-,-,Ni-Cr | SA |
| RO040 | DA61-02751A | HINGE-UPP | CORE,SHP1,T4.5,-,-,PAINTING(BL | SA |
| RO040 | DA97-03899A | ASSY HINGE-UPP | CORE,T4.5,-,-,PAINTING(BL | SA |
| RO044 | DA63-03029D | COVER-WIRE HINGE L | CORE-PJT,PP,-,-,-,- | SA |
| RO045 | DA63-03030D | COVER-WIRE HINGE R | CORE-PJT,PP,-,-,-,- | SA |
| RO048 | DA61-02742A | CASE PCB-PANEL | CORE-PJT,PP(V0),T3,W452.6 | SA |
| RO050 | DA63-03020A | COVER PCB-PANEL | CORE-PJT,SBHG1,T0.6,-,- | SA |
| RO052 | DA41-00369A | PBA PANEL-LED | CORE LED MODEL,DOOR REF,FR | SA |
| RO066 | DA26-00009K | TRANS POWER | -,OMEGA SEMI,-,-,230V,16.5V, | SA |
| RO067 | DA63-03027A | SHIM HINGE-UPP | CORE,RD-PVC,T0.5,-,-,-,- | SA |
| RO068 | DA63-03202A | SHIM HINGE-LOW | CORE-PJT,HIPS,T1.5,-,-,-,- | SA |
| RO069 | DA63-03028A | SHIM HINGE-MID | CORE,HIPS,T1.0,-,-,-,WHT,- | SA |
| RO083 | DA67-00195A | CAP-HINGE HOLE-MID | SR-32,35,PP,-,-,-,-,- | SA |
| RO084 | DA67-01502D | CAP-HINGE HOLE | CORE-PJT,PC,T0.6,-,-,-,SC-9 | SA |
| RO086 | DA67-30218R | CAP-SCREW | -,PP,-,-,-,SC-97527R,SNOW WHIT | SA |
| RO102 | DA61-02775C | SUPPORT-HANDLE LOW | CORE,ASSY(ABS+PA),-,- | SA |
| RO133 | 6031-001571 | WASHER-PLAIN | RD-PVC,-,ID6.0,OD11.0,T2.0, | SA |
| RO150 | DA34-00043A | SWITCH REED-ASS'Y | 200VDC,1.5,- | SA |
| RO162 | DA63-00246A | GROMMET-DRAIN HOSE | SR-32,35,NR,-,-,-,-,- | SA |
| RO172 | DA32-00011P | SENSOR TEMP-EXT | PX-41C, 502AT,CORE-PJT,- | SA |
| RO173 | DA60-00003A | SCREW-TAP,PH | T3-PJT,-,-,-,4X10,PH,-,+TAPP | SA |
| RQ565 | DA63-02017A | GROMMET-COMP | QUEEN,EPDM,-,-,-,-,-,- | SA |
| RS016 | DA60-00018A | SCREW MACHINE | TH+,-,-,-,-,PASS,STS304,- | SA |
| RS037 | DA60-10108A | SCREW-HEX | WH,+,-,M5,-,PASS,STS430,-,0.8P | SA |
| RS048 | 6002-000244 | SCREW-TAPPING | TH,+,-,B,M5,L16,ZPC,SWRCH18A | SA |
| RS080 | 6002-000216 | SCREW-TAPPING | TH,+,-,1,M4.0,L20,ZPC(WHT) | SA |
| RS080 | 6002-000458 | SCREW-TAPPING | FH,+,-,2,M4.0,L14,PASS,STS | SA |
| RS080 | 6002-000466 | SCREW-TAPPING | PH,+,-,2S,M3.0,L8,ZPC(WHT) | SA |
| RS080 | 6002-000470 | SCREW-TAPPING | TH,+,-,1,M4,L10,ZPC(WHT),S | SA |
| RS080 | 6002-000520 | SCREW-TAPPING | TH,+,-,2,M4,L12,ZPC(WHT),S | SA |
| RS080 | 6006-001170 | SCREW-TAPPING | TH,+,-,WT,TC,M4,L10,ZPC(WHT) | SA |
| RS086 | DA32-00006B | SENSOR TEMP | PX-41C,A TOP,-10C~35C,5V,-,- | SA |
| RS110 | DA32-00006G | SENSOR TEMP-F DEF BBC | PX-41C,BBC,-,5V,-, | SA |
| RW074 | DA60-20008A | BOLT-HEX | -,S25C,-,L42.6,-,-,-,-,- | SA |
| RW093 | DA71-00152A | BRACKET-DRAIN | SR-32,35,A1050H16,T0.6,-,- | SA |
| RW394 | DA63-00771A | GROMMET-FAN MOTOR | OMEGA,NBR,-,-,-,-,-,BL | SA |
| RW664 | DA60-10004A | SCREW-HEX | HWH,-,-,M6,L16,ZPC(WHT),SWRCH1 | SA |
| RW675 | DA66-00073B | SHAFT-WASHER | RD-PVC,SR-32,35,-,-,-,T1.0, | SA |
| RW716 | DA61-20128A | SPRING ETC-FAN | -,STS304,PI7.8,-,OD1.0,- | SA |
| RZ020 | DA73-10190V | PIPE-CONNECT DISC,A | TD-PJT,C1220T 1/2H,- | SA |
| | DA62-01311A | PIPE-CONNECT IMMERSION | CORE-PJT,C1220T-1 | SA |
| | DA63-03045D | COVER-WIRE DOOR | CORE-PJT,ABS,-,-,-,-,-,S | SA |
| | DA63-03046A | GROMMET-HINGE | CORE PJT,NY-6,-,-,L16,ID6, | SA |
| | DA63-03047A | GASKET-KNOB CONTROL | CORE-PJT,SILICON,-,- | SA |
| | DA63-03062A | COVER-TRAY FRE MID | CORE,SAN,-,-,-,-,-,- | SA |
| | DA63-03074A | COVER-WIRE CABI | CORE-PJT,PP,-,-,-,-,-,NT | SA |
| | DA66-00385A | SHAFT-HINGE | CORE,SWCH10A,-,OD6,-,-,ZPC3(| SA |
| | DA67-01433D | CAP-HOLE HINGE UPP | CORE-PJT,ABS,-,-,-,-,SC | SA |

◇Part List

(Model Code : RL38EGSW1/XEG)

| Location | Part Code | Part Name | Specification | SA/SNA |
|----------|-------------|--------------------------|-----------------------------|--------|
| | DA67-01434D | CAP-HOLE HINGE LOW | CORE-PJT,PP,-,-,-,SC- | SA |
| | DA67-01437D | CAP-SPACE DOOR | CORE-PJT,HIPS,-,-,-,SC-97 | SA |
| | DA67-01438D | CAP-SCREW HANDLE | CORE-PJT,ABS,-,-,-,SC-9 | SA |
| | DA67-01469A | SHELF-VEGETABLE | CORE 63,PP,-,-,-,COOL WH | SA |
| | DA67-01550D | CAP-CABI SIDE,L | CORE-PJT,ABS,-,-,-,SC-97 | SA |
| | DA67-01551D | CAP-CABI SIDE,R | CORE-PJT,ABS,-,-,-,SC-97 | SA |
| | DA67-01584D | CAP-CABI LED | CORE-PJT,ABS,-,-,-,SC-97527 | SA |
| | DA70-00135E | PLATE-MID FRONT | COMBI-PJT,SECC1,-,T0.8,W | SA |
| | DA71-00106A | REINF-HINGE,MID | -,SBHG1,T2.3,-,-,-,- | SA |
| | DA96-00143B | ASSY EARTH | ATOP06,100~240V | SA |
| | DA96-00285A | ASSY W/HARNESS-CABI | CORE-PJT,WIRE-HARNES | SA |
| | DA96-00286A | ASSY W/HARNESS-LAMP REF | CORE,W/H LAMP | SA |
| | DA97-03900A | ASSY HINGE-MID | CORE,T4.0,-,-,Ni-Cr,-,SHP | SA |
| | DA97-03947B | ASSY HINGE-LOW | CORE-PJT,T4.0,-,-,PAINTIN | SA |
| | DA97-03954J | ASSY HANDLE-INSTALL | CORE,-,-,-,-,-,SNOW- | SA |
| | DA97-03955J | ASSY COVER-LEG FRONT | CORE-PJT,PP,-,-,-,- | SA |
| | DA97-04006H | ASSY COVER-CONTROL SUB | CORE,ASSY,-,-,-,- | SA |
| | DA97-04020A | ASSY COVER-EVAP FRONT | CORE PJT,-,-,-,-,- | SA |
| | DA97-04022H | ASSY COVER CONTROL | CORE,ASS'Y,-,-,-,-,- | SA |
| | DA97-04064B | ASSY COVER-WIRE CABI | CORE-PJT,PP,-,-,-,L | SA |
| | DA97-04099A | ASSY TRAY-FRE UPP | CORE-PJT,-,-,-,SC-0274 | SA |
| | DA97-04126A | ASSY TRAY-FRE LOW | CORE-PJT,-,-,-,SC-0274 | SA |
| | DA97-04127A | ASSY TRAY-FRE MID | CORE-PJT,-,-,-,SC-0274 | SA |
| | DA97-04244C | ASSY COVER-EVAP REAR(AC) | -,PP(BJ-730),- | SA |
| | DA97-04803D | ASSY CAP-CABI LED | CORE-PJT,ABS,-,-,-,SNO | SA |