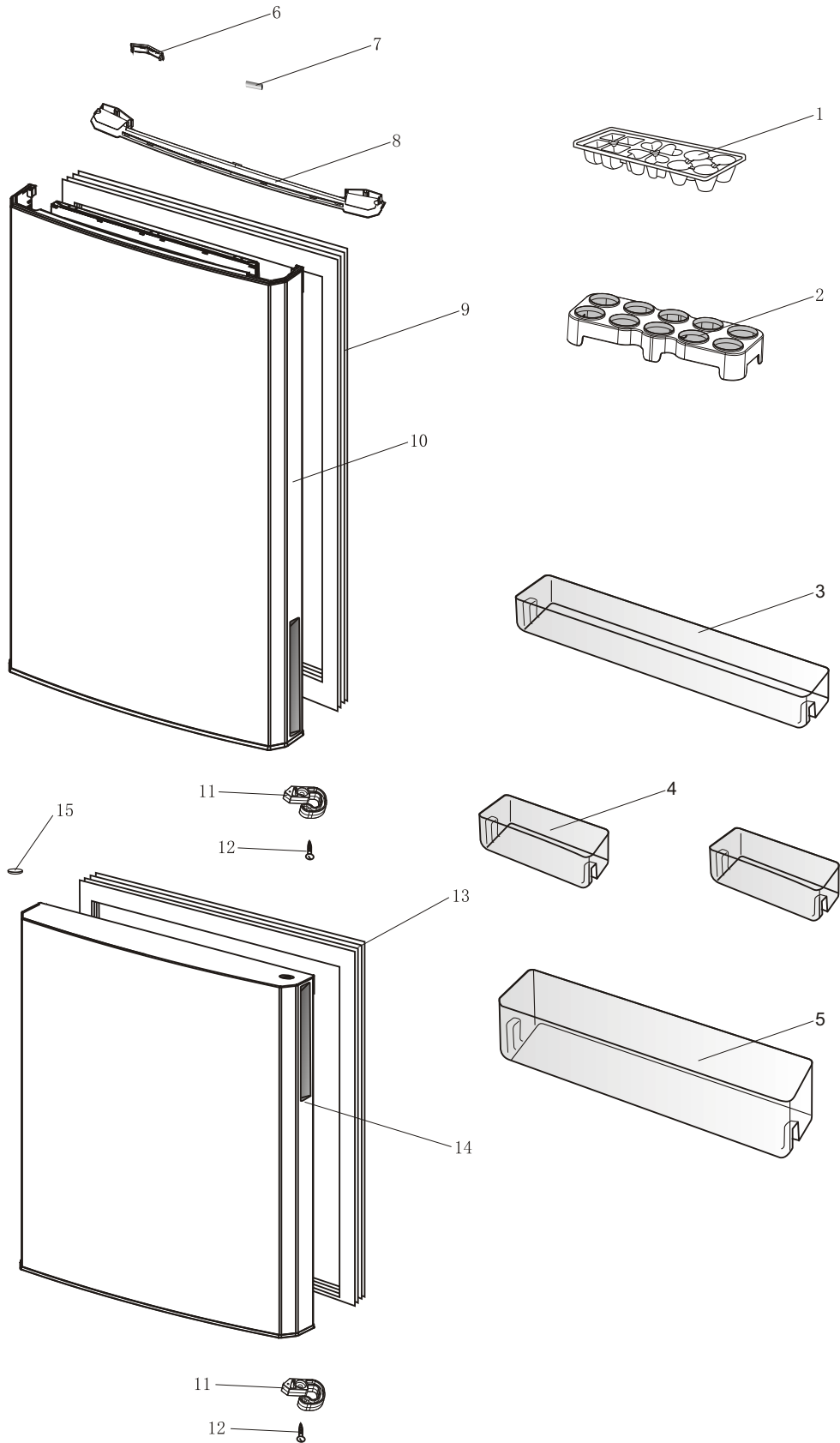


# EXPLODED VIEW(RL34LC SW1/XES)



## 1. Door

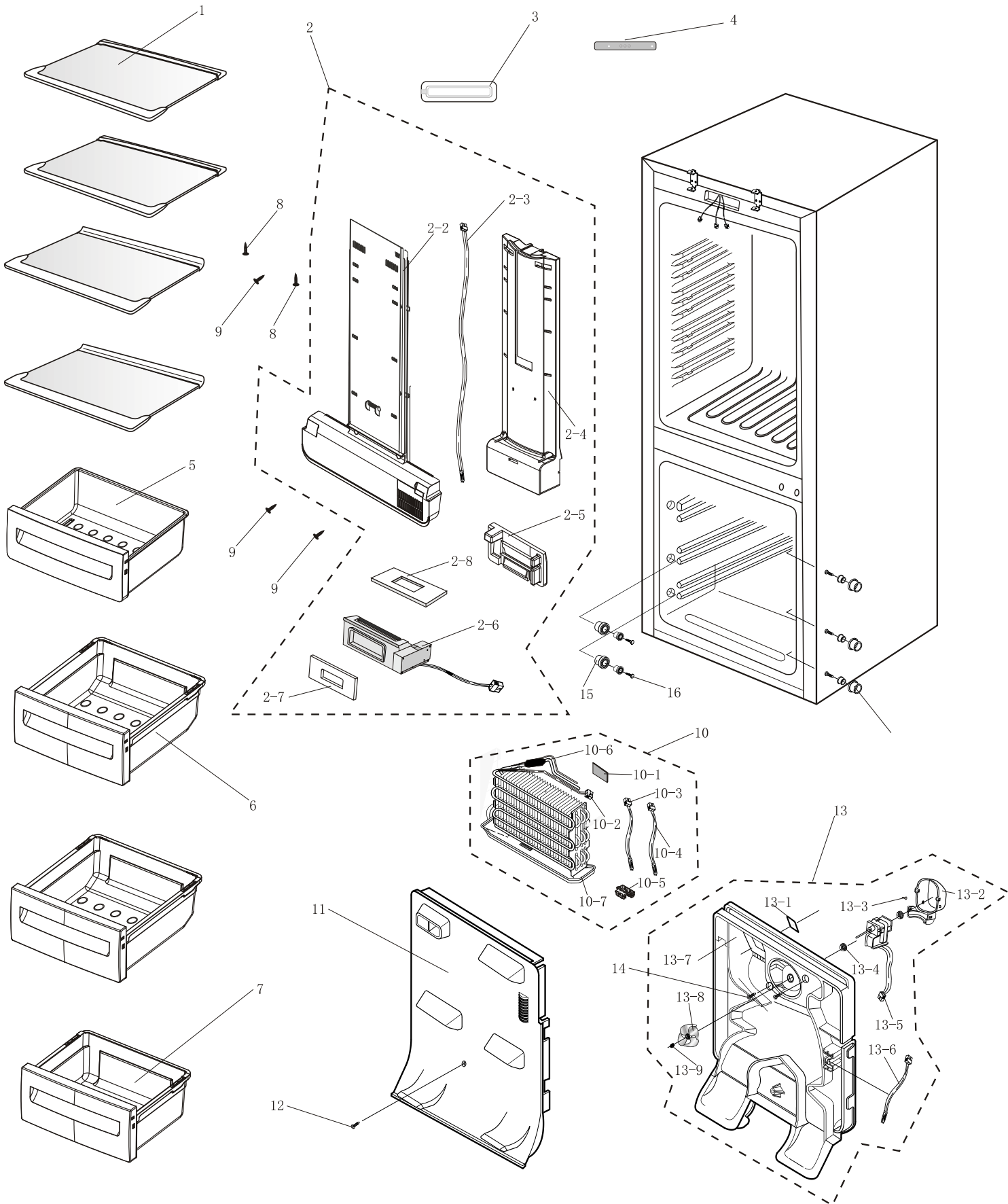




# EXPLODED VIEW(RL34LCSW1/XES)



## 2. Refrigerating & Freeze Compartment



## Parts List

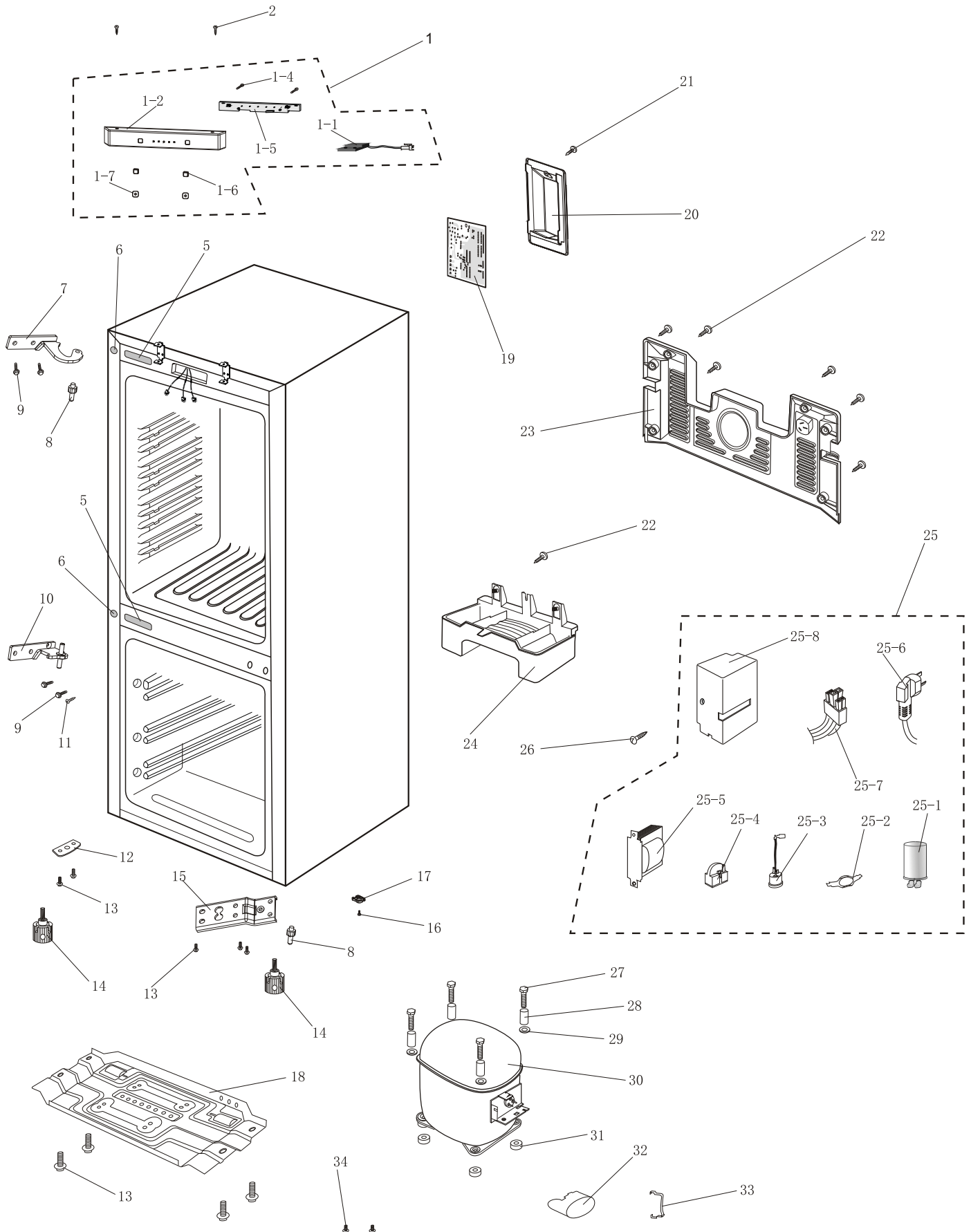
NO.	CODE NO	English Name	Specification	SA/SNA	Quantity	SVCNO
1	DA97-05405B	ASSY SHELF REF	GLASS+PP	SA	4	A0185
2	DA97-10600A	ASSY COVER DAMPER-MULTI	W07,BCD-285	SA	1	-
2-1	-	-	-	SA	1	-
2-2	DA63-05681A	COVER-MULTI REF	W07,RL34,PP,W91527,M1600	SA	1	A0689
2-3	DA32-00012J	SENSOR TEMP-REF	502AT/PX-41C,RL34*,-,-,-,REF	SA	1	A0688
2-4	DA62-01571A	INSULATION-MULTI REF A	EPS	SNA	1	-
2-5	DA62-01570A	INSULATION-MULTI REF B	EPS	SNA	1	-
2-6	DA31-00218B	MOTOR DC-STEP	DC 12V	SA	1	G0242
2-7	DA62-00176A	SEAL-INS DAMPER,B	FOAM-PE,-,T3.0,W57,L115	SNA	1	-
2-8	DA62-01637C	SEAL-COVER MULTI LOW	W07,AOPUSAILUO,OJC-3000	SNA	1	-
3	DA63-05460A	COVER LAMP	CC,HIPS,W63,L173,NTR	SA	1	A0280
4	DA41-00483A	PBA LED LAMP	1.6W	SA	1	-
5	DA97-05406A	ASSY TRAY-VEG	GPPS+PP	SA	1	A0018
6	DA97-05407B	ASSY TRAY-UP	GPPS+PP	SA	2	A0015
7	DA97-05408B	ASSY TRAY-LOW	GPPS+PP	SA	1	A0013
8	DA60-10137A	SCREW-TAPPING	4.2,L19,STS430	SNA	2	-
9	6002-001341	SCREW-TAPPING	M4,L16,SWRCH18A	SNA	3	-
10	DA96-00401P	ASSY EVAP-FRE	ASSY	SA	1	A0163
10-1	DA72-00088A	SEAL-BUTYL RUBBER	BUTYL-RUBBER,-,T3,W30,L80	SNA	1	-
10-2	DA47-00263F	HEATER DEFROST	250W,-,(A:220V,B:240V)	SA	1	A0753
10-3	DA47-00138E	THERMO FUSE	250V,10A,72C	SA	1	A0685
10-4	DA32-00012K	SENSOR TEMP-EVAP F	502AT/PX-41C	SNA	1	-
10-5	DA61-03716A	FIXER-SENSOR EVAP	PP	SNA	1	M9009
10-6	DA59-00364A	EVAP FRE	AL	SNA	1	A0742
10-7	DA67-00979B	DRAIN EVAP-FRE	SBHG1	SNA	1	-
11	DA97-05485D	ASSY COVER EVAP-FRONT	-	SA	1	A0661
12	6002-001341	SCREW-TAPPING	M4,L16	SNA	1	-
13	DA97-05993Q	ASSY COVER EVAP-REAR	-	SA	1	A0667
13-1	DA62-01090B	SEAL DUCT	EPDM,BLACK,T8,W93,L95	SNA	1	-
13-2	DA61-01441A	CASE MOTOR	PP	SNA	1	-
13-3	DA63-40167A	GROMMET-COVER CHIL	SILICON	SNA	1	M2002
13-4	DA63-40115A	GROMMET-MOTOR	SILICON-RUBBER,BLK	SNA	2	A0218
13-5	DA31-00197F	FAN-MOTOR AC	6W,LIUSHENG(A:220V/B:240V)	SNA	1	Z1139
13-6	DA32-00012L	SENSOR TEMP-FRE	502AT/PX-41C	SNA	1	-
13-7	DA63-03787B	COVER EVAP-REAR	PP	SNA	1	G0236
13-8	DA31-00019A	FAN-PROPELLER	NTR	SA	1	Z1138
13-9	DA61-20128A	SPRING ETC-FAN	STS304	SNA	1	A0768
14	6002-001341	SCREW-TAPPING	M4,L16	SNA	2	-
15	DA66-00825A	ROLLER-TRAY	Pa66	SA	6	Z1140
16	DA60-00131A	SCREW-TAP TH	M4.2,L13	SNA	6	-



# EXPLODED VIEW(RL34LCW1/XES)



## 3. General Assembly



## ■ Parts List

NO.	CODE NO	English Name	Specification	SA/SNA	Quantity	SVC NO
1	DA90-04803A	ASSY COVER TOP-FRONT	ASSY	SA	1	Z1141
1-1	DA34-00046B	SWITCH SENSITIVE	220VDC	SA	1	Z1142
1-2	DA63-03792A	COVER TOP-FRONT	ABS	SNA	1	A0820
1-4	6002-001106	SCREW-TAPPING	M3.5,L9.5,ZPC(WHT)	SNA	2	G0412
1-5	DA41-00483A	PBA DISPLAY		SA	1	G0069
1-6	DA63-03804A	GROMMET-BUTTON	NBR,BLK,	SNA	2	-
1-7	DA64-02262A	BUTTON SELECT	ABS	SNA	2	-
2	6002-001184	SCREW-TAPPING	M4,L12	SNA	2	-
3	-				-	-
4	-				-	-
5	DA67-01798A	CAP-HINGE HOLE	ABS,	SNA	2	A0549
6	DA67-30266K	CAP-SCREW CABI	ABS,	SA	2	A0270
7	DA61-03685A	HINGE-UP	SCP1	SNA	1	M0488
8	DA66-00500A	SHAFT HINGE	SM45C	SNA	2	-
9	DA61-02049A	FIXER-SCREW	5*20	SNA	4	-
10	DA61-03688A	HINGE-MID	SCP1,T4	SA	1	A0831
11	DA61-02120A	FIXER-SCREW	3.9,L16	SNA	1	-
12	DA61-04391A	REINF-LEG,L	SHP1	SNA	1	-
13	DA60-10124A	SCREW-HEX	M6,L16	SNA	9	T0072
14	DA61-00851A	LEG-FRONT	MSWR10	SA	2	Z1128
15	DA61-03689A	HINGE LOW	SCP1	SNA	1	A0247
16	DA61-02972A	FIXER HINGE-LOW	M5,L10	SNA	1	-
17	DA61-03673A	STOPPER HINGE-LOW	POM	SNA	1	-

## ■ Parts List

NO.	CODE NO	English Name	Specification	SA/SNA	Quantity	SVC NO
18	DA90-04051A	ASSY BASE COMP	SBGH1	SA	1	Z1148
19	DA41-00791A	PBA MAIN	-	SNA	1	A0128
20	DA63-03794D	COVER PCB-MAIN	ANTI-BURNING ABS	SA	1	Z1143
21	DA60-10153A	SCREW-SPECIAL	SWRCH18A,-,1018	SNA	1	-
22	DA60-10130B	SCREW-TAPPING	M4.2,L13	SNA	7	G0412
23	DA63-03784F	COVER COMP	PP	SA	1	Z1131
24	DA63-01834E	TRAY WATER-DRAIN	PP	SA	1	Z1150
25	DA97-10583G	ASSY JUNCTION	ASSY	SNA	1	A0249
25-1	DA81-01035A	CAPACITOR	HAOYUE,	SA	1	Z1135
25-2	DA65-00034A	CLAMPER CORE-RELAY	ZBX1115CY,	SNA	1	-
25-3	DA35-00107A	RELAY PROTECTOR O/L	ZBX1115CY	SA	1	A0575
25-4	DA35-00106A	RELAY PTC	ZBX1115CY	SA	1	A0668
25-5	DA26-00036A	TRANS POWER	240V,50-60Hz,16V,0.35A	SA	1	Z1149
25-6	DA39-00196C	CBF-POWER CORD	250V,16A	SA	1	A0273
25-7	DA39-00419C	WIRE HARNESS-RELAY	-	SNA	1	A0574
25-8	DA61-03682D	CASE JUNCTION	PP,uninflammation	SA	1	A0250
26	6002-001183	SCREW-TAPPING	M4.2,L9.5,ZPC(WHT)	SNA	1	-
27	6011-001218	BOLT-HEX	M6,L25	SNA	4	A0564
28	DA72-00346A	SLEEVE	-	SNA	4	-
29	6031-001226	WASHER-PLAIN	M6,ID6.4,OD16.3	SNA	4	A0822
30	DA59-00374A	COMPRESSOR	ZBX1115CY	SNA	1	A1024
31	DA63-00609A	GROMMET COMP	NBR,BLK,	SNA	4	Z1112
32	DA63-01967B	COVER RELAY	ZBX1115Y,NORYL	SNA	1	Z1032
33	DA65-00034A	CLAMPER CORE-RELAY	ZBX1115CY,1CR18NI9	SNA	1	-
34	DA97-02695A	ASSY-SCREW	-	SNA	2	-